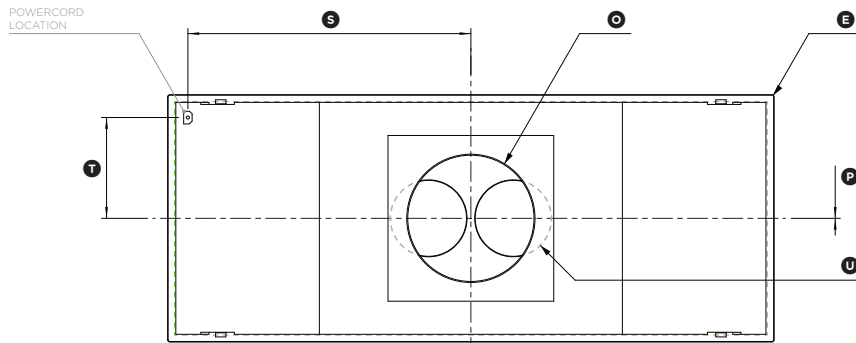


FISHER & PAYKEL

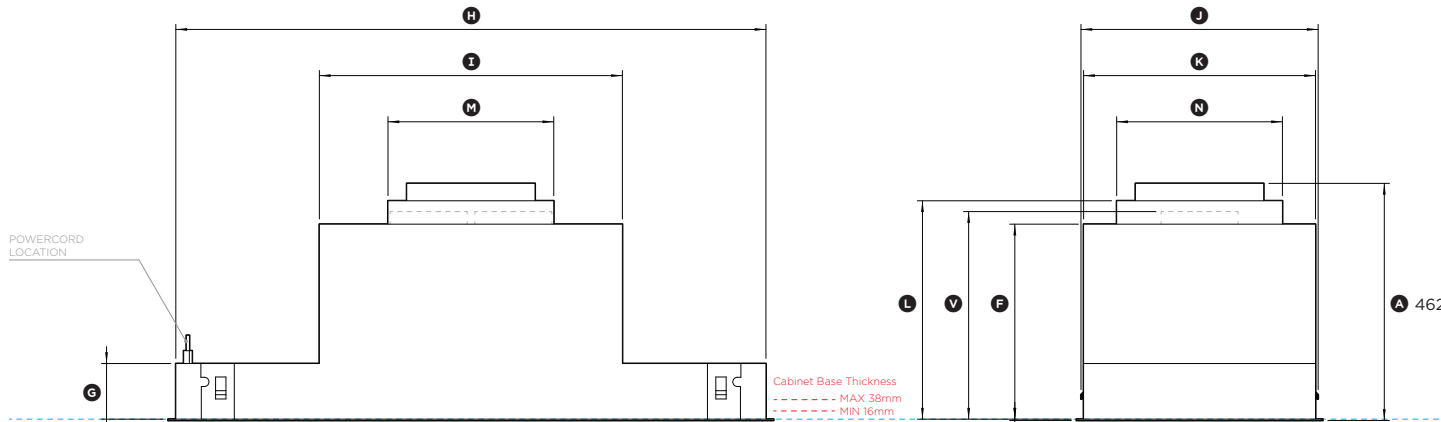
DATA SHEET Integrated Rangehood

Model no:
HPB12048-2

Product Dimensions	mm
Ⓐ Overall height of rangehood including duct adapter	462
Ⓑ Overall width of rangehood	1180
Ⓒ Overall depth of rangehood	480
Ⓓ Thickness of flange	2.5
Ⓔ Corner radius of flange	3.5
Ⓕ Height of chassis excluding duct adapter	380
Ⓖ Height of chassis at side	108
Ⓗ Overall width of chassis	1150
Ⓘ Width of chassis blower housing	590
Ⓚ Depth of chassis including mounting brackets	462
Ⓛ Depth of chassis excluding mounting brackets	452
Ⓛ Height from top of flange to horizontal surface of duct adapter	427
Ⓜ Width of duct adapter	323
Ⓨ Depth of duct adapter	323
Ⓩ Outside diameter of duct adapter outlet	250
Ⓟ Offset of duct outlets forward from centre	0
Ⓣ Distance from front of flange to LED strip	20
Ⓢ Depth of LED strip	32
Ⓜ Width from centreline to powercord	551
Ⓡ Depth from centreline to powercord	194
Ⓛ Outside diameter of dual duct outlets	150
Ⓡ Height from top of flange to top of dual duct outlets	405
Cutout Dimensions	mm
Width of cutout (centred to product)	1155
Depth of cutout (centred to product)	455
Thickness of cabinetry surface	16-38
Height from base of product to cooking surface	mm
Minimum - refer to cooktop/range specifications	
Maximum recommended	1067
Electrical Requirements	
Supply	240V 50Hz
Service	15 amp circuit
Powercord Length	1100mm
LED colour temperature	3000K
Unit Weight	35kg

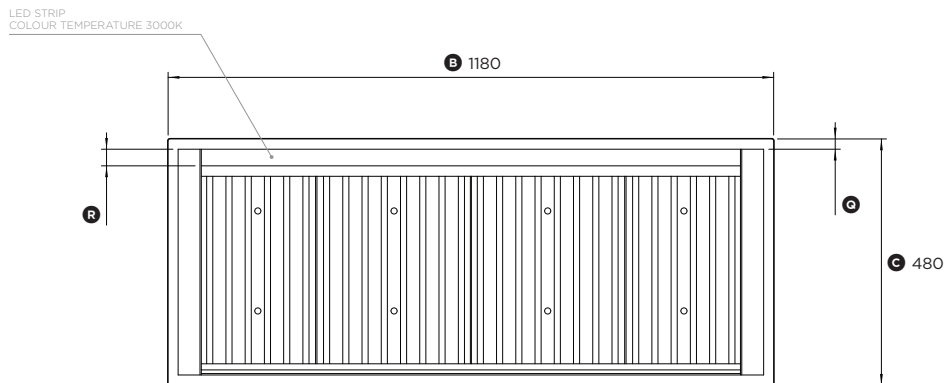


PLAN VIEW



FRONT VIEW

PROFILE VIEW



BOTTOM VIEW



DATE: 18.05.2021

IMPORTANT NOTE: Throughout this guide, dimensions may vary by $\pm 2\text{mm}$ (1/16"). Please read the installation manual for detailed information on installing the product. For full installation instructions & specifications visit fisherpaykel.com