

F I S H E R & P A Y K E L

F R E E S T A N D I N G C O O K E R

OR90 Dual Fuel models

INSTALLATION GUIDE

GB IE

⚠ WARNING!



Electric Shock Hazard

Failure to follow this advice may result in electric shock or death.

- Before carrying out any work on the electrical section of the appliance, it must be disconnected from the mains electricity supply.
- Connection to a good earth wiring system is absolutely essential and mandatory.
- Alterations to the domestic wiring system must only be made by a qualified electrician.

⚠ WARNING!



Cut Hazard

Failure to use caution could result in injury.

- Take care: some edges are sharp.

WARNING!

To avoid hazard, follow these instructions carefully before installing or using this appliance.

- Please make this information available to the person installing the appliance as it could reduce your installation costs.
- Particular attention shall be given to the relevant requirements regarding ventilation.

- This appliance must be installed and serviced only by a suitably qualified and registered person, and in accordance with the current editions of the following standards and regulations or other locally applicable regulations:

- Gas Safety (Installation and Use) Regulations
- Building Regulations
- British Standards
- Regulations for Electrical Installation.

- Incorrect installation, for which the manufacturer accepts no responsibility, may cause personal injury or damage and could invalidate any warranty or liability claims.
- Be sure that the appliance being installed is set up for the kind of gas being used. The gas cooker is shipped from the factory set and adjusted for Natural Gas. It can be converted for use with LPG following the instructions in this manual.
- Do not modify this appliance.
- Do not use or store flammable materials on or near this appliance.
- Packing elements (eg plastic bags, polystyrene foam, staples, packing straps etc) and tools should not be left around during and after installation, especially if they are within easy reach of children, as these may cause serious injuries.
- Some appliances are supplied with a protective film on steel and aluminium parts. This film must be removed before using the cooker.

**IMPORTANT!
SAVE THESE INSTRUCTIONS**

The models shown in this installation guide may not be available in all markets and are subject to change at any time. For current details about model and specification availability in your country, please go to our website fisherpaykel.com or contact your local Fisher & Paykel dealer.

GENERAL INSTALLATION INFORMATION

Cleaning and servicing

- Service should only be performed by an authorised technician.
- When removing appliance for cleaning and/or service:
- Shut off gas at main supply.
- Disconnect AC power supply.
- Disconnect gas line to the inlet pipe.
- Carefully remove the cooker by pulling outward.
- CAUTION: Cooker is heavy; use care in handling.
- The misuse of oven door (eg stepping, sitting, or leaning on them) can result in potential hazards and/or injuries.
- When installing or removing the cooker for service, a rolling lift jack should be used. Do not push against any of the edges of the cooker in an attempt to slide it into or out of the installation. Pushing or pulling a cooker (rather than using a lift jack) also increases the possibility of bending the leg spindles or the internal coupling connectors.

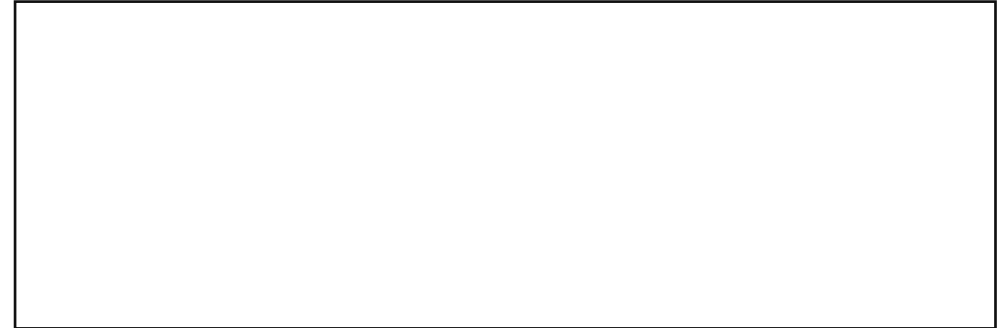
IMPORTANT!

- Cooker is heavy, use care in handling.
- Do not lift the cooker by the oven door handle or hob rail, or by lifting the cooktop trim as this may damage the appliance.

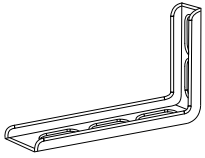
Replacement parts

Only authorised replacement parts may be used in performing service on the cooker. Replacement parts are available from factory authorised parts distributors. Contact the nearest parts distributor in your area.

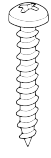
PRODUCT LABEL



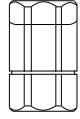
PARTS SUPPLIED FOR INSTALLATION



Anti-tip
bracket (1)



Screws and plastic
sleeve anchors (2)



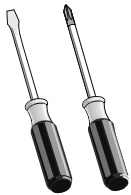
1/2" cylindrical connector
and fibre washer (1)

TOOLS NEEDED FOR INSTALLATION (NOT SUPPLIED WITH THE APPLIANCE)

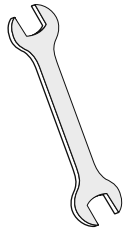
IMPORTANT!

THIS APPLIANCE MUST BE INSTALLED BY A QUALIFIED INSTALLER

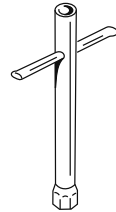
- Improper installation, adjustment, alteration, services, or maintenance can cause injury or property damage. Consult a qualified installer, service agent, or the gas supplier.
- The use of suitable protective clothing/gloves is recommended when handling or installing this appliance.



Screwdriver



2 - Wrench



T-handle
wrench



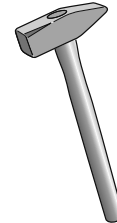
Pencil



Tape measure



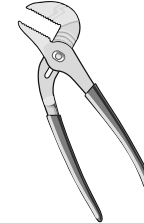
Suitable
protective gloves



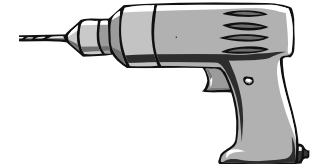
Hammer



Adjustable
wrench



Adjustable
pliers



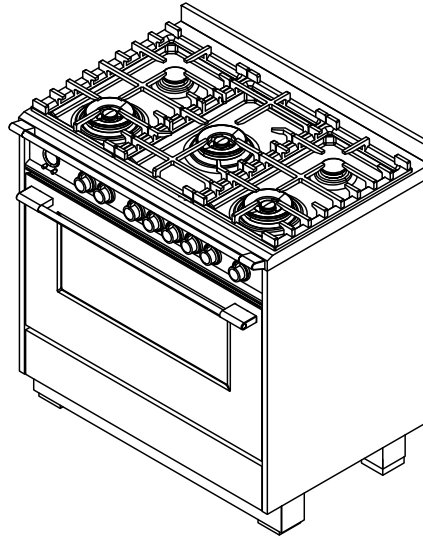
Drill

MODEL IDENTIFICATION

Model features may vary.

OR90 models

OR90SCG4
OR90SDG4
OR90SCG6
OR90SDG6



PRIOR TO INSTALLATION

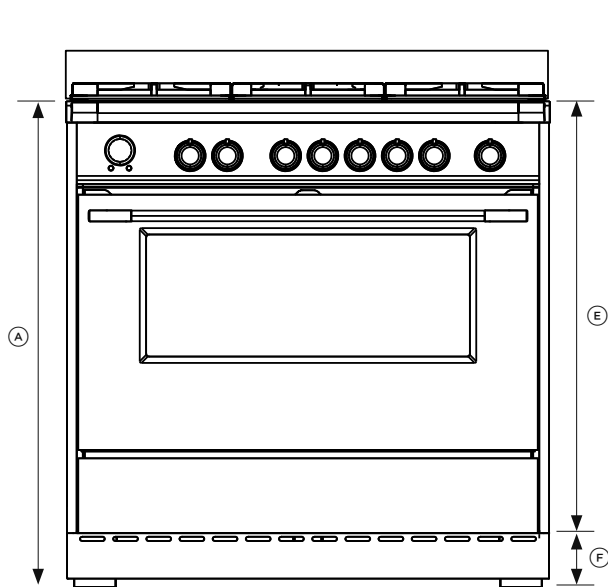
Unpacking and handling

- Inspect the cooker to verify that there is no shipping damage. If any damage is detected, call the shipper and initiate a damage claim. Fisher & Paykel is not responsible for shipping damage.
- DO NOT discard any packing material until the cooker has been inspected.
- Remove the outer carton and any packing material from cooker. Some models are supplied with a protective film on steel and aluminum parts. This film must be removed before installing or using the appliance.

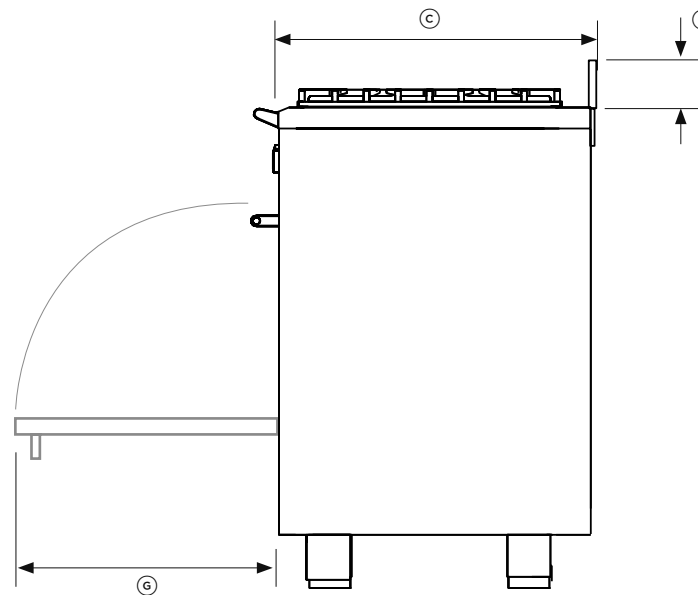
PRODUCT DIMENSIONS

Model features may vary.

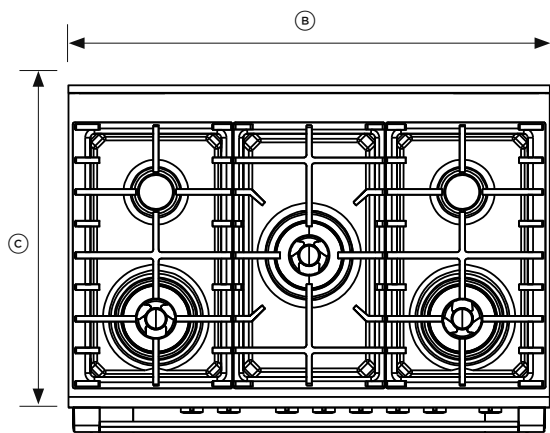
Optional kickstrip is available (purchased separately).



FRONT



PROFILE



PLAN

PRODUCT DIMENSIONS

Ⓐ	Overall height of cooker (from floor to top of cooktop, excluding grates and optional backguard)	min 898 max 946
Ⓑ	Overall width of cooker	897
Ⓒ	Overall depth of cooker (from front of cooker to rear of backguard, excluding handles and dials)	600
Ⓓ	Height of optional backguard from top of cooktop	60
Ⓔ	Height of chassis (excl. adjustable feet)	813
Ⓕ	Adjustable feet height	min 85 max 133
Ⓖ	Depth of open door to front of cooker	451

OR90 DUAL FUEL

mm

CLEARANCE DIMENSIONS

CLEARANCE DIMENSIONS	OR90 DUAL FUEL
	MM
(A) Minimum vertical distance between benchtop and cabinet extending above counter	450
(B) Minimum clearance from left and right edge of cooker to nearest vertical combustible surface	200
(C) Minimum clearance from cooking surface to:	
• Overhead cabinet centered above the cooktop	650
• Ventilation hood centered above the cooking surface	650
(D) Width of cabinetry opening	900
(E) Maximum height of cabinetry immediately adjacent to the cooker (from floor to countertop)*	946
(F) Maximum depth from wall to cabinetry face	600

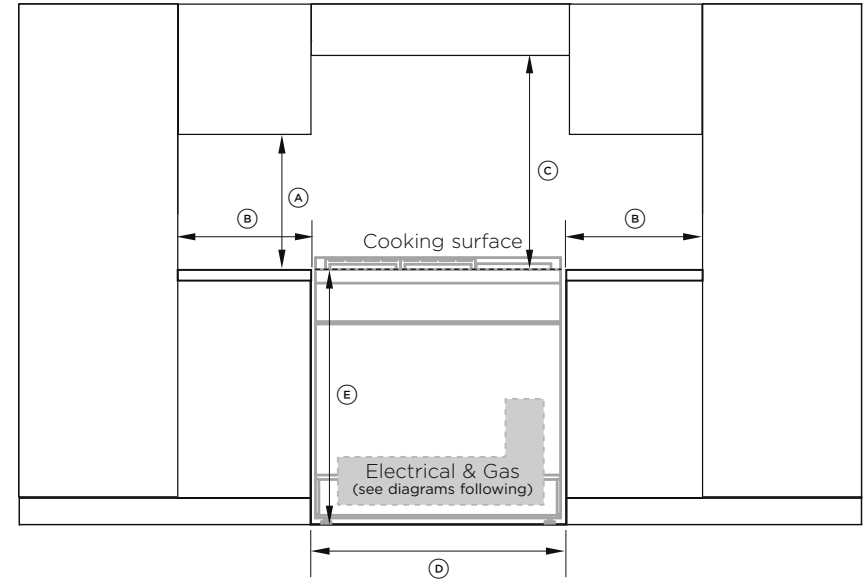
*Depending on the height of the feet adjustment.
The cooking surface must sit flush or above benchtop level.

Note:

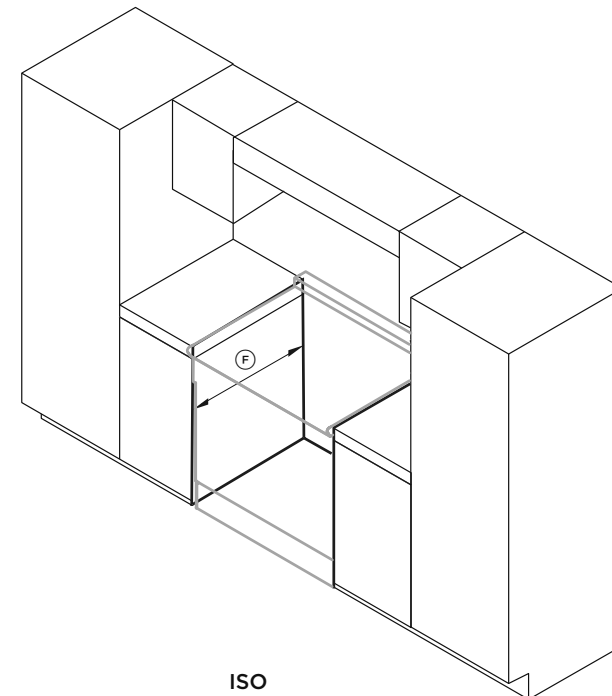
- The cooker must be installed by a suitably qualified technician and in compliance with local safety standards.
- This cooker has class '2/1' overheating protection so that it can be installed next to a cabinet
- If the cooker is installed adjacent to furniture which is higher than the gas hob cooktop, a gap of at least 200mm must be left between the side of the cooker and the furniture.
- The walls and kitchen furniture surrounding the appliance must be made of non-flammable material. Any veneered synthetic material and the glue used must be resistant to a temperature of 90°C in order to avoid ungluing or deformations. It is recommended that a 10mm gap to each side is made if the adjacent kitchen furniture is made of a plastic laminate wrap.
- Curtains must not be fitted immediately behind appliance or within 500mm of the sides.

Installing the cooker on a plinth

- We do not recommend the cooker is installed on a plinth. If this is unavoidable, the cooker can be installed on a plinth without the adjustable feet fitted.
- Ensure the cooker is secure and provide safety measures to keep it in place.
- Cabinetry dimensions can be adjusted to suit the plinth height, see product dimensions for chassis height.



FRONT

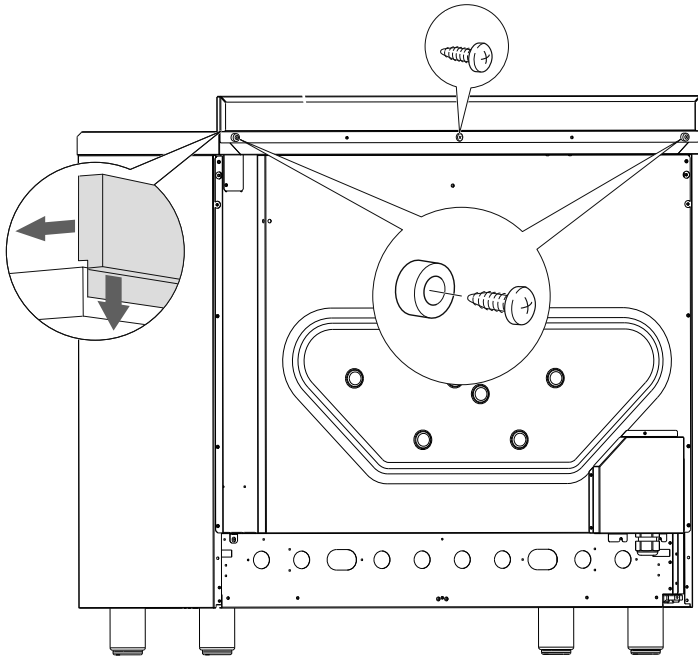


ISO

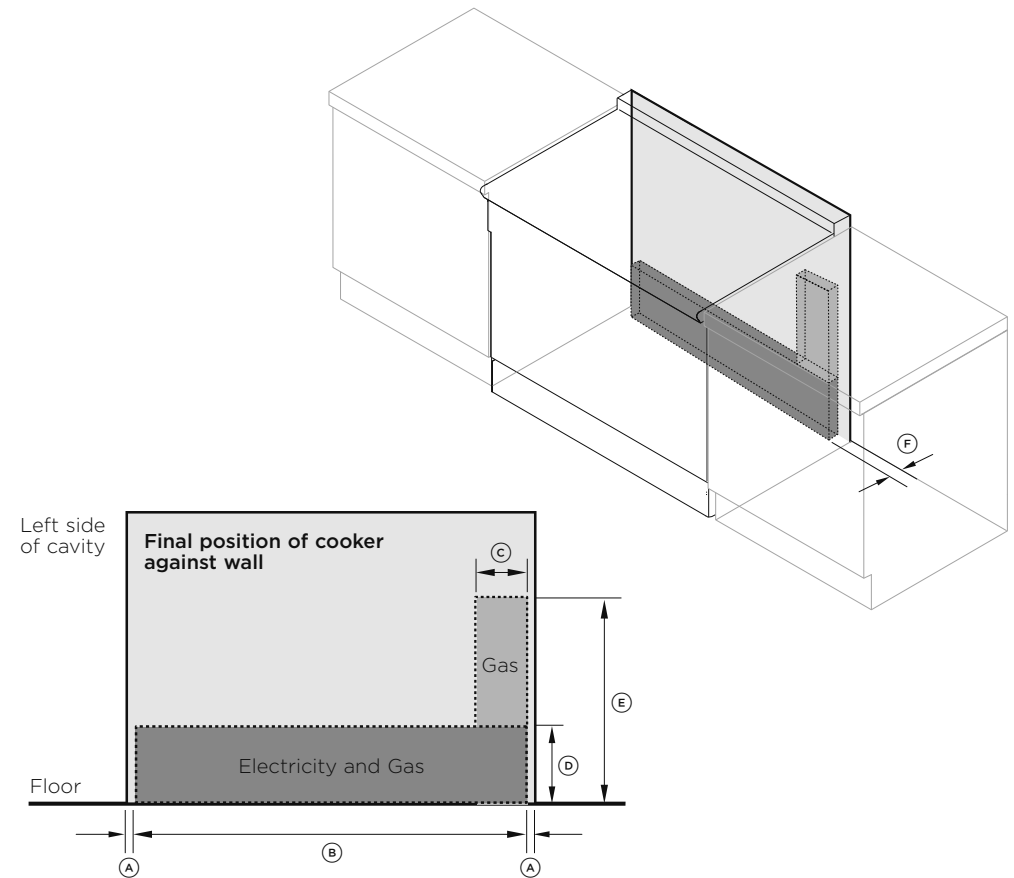
FITTING THE OPTIONAL BACKGUARD

Backguard

- Remove the screws and spacers on the rear of the cooktop.
- Assemble the backguard as shown and fix onto the back of the cooker using the same screws and spacers.
- Fix the backguard onto the cooker using the screws provided.



LOCATION OF ELECTRICAL SUPPLY



SUPPLY AREA DIMENSIONS		MM
(A)	Distance from either edge of Range to supply area	19
(B)	Width of electrical area	860
(C)	Width of gas only supply area	79
(D)	Height of electrical supply area*	210 - 260
(E)	Height of gas supply area*	700 - 750
(F)	Depth of supply area (ie maximum protrusion of gas and electrical connection from wall)	74

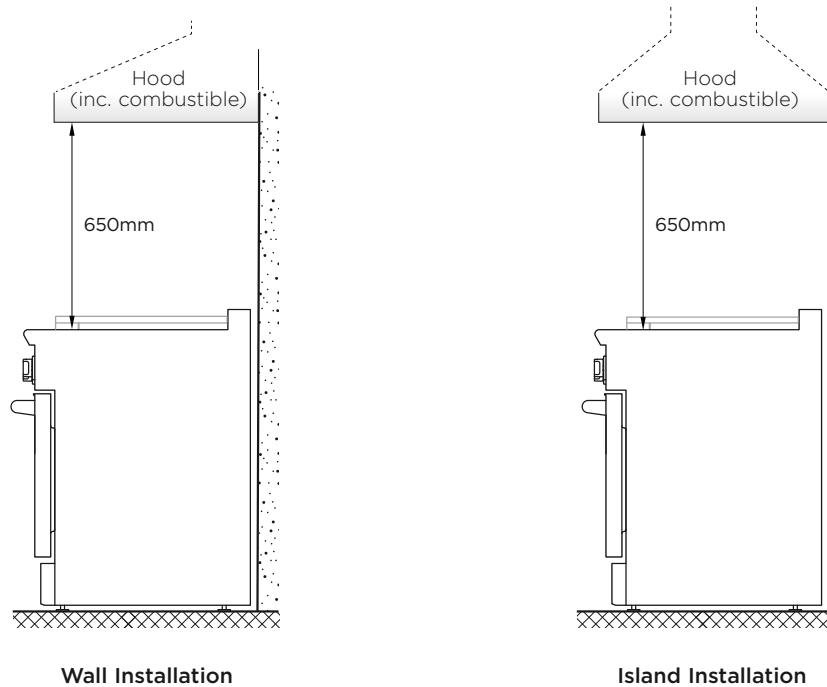
*Depending on adjustment of feet.

VENTILATION REQUIREMENTS

A suitable ventilation hood may be installed above the cooker.

Fisher & Paykel has a choice of ventilation hoods designed to match the rest of our kitchen appliance family.

See fisherpaykel.com or your local dealer for more details.



Ventilation requirements

- The appliance should be installed into a room or space with an air supply in accordance with the current version of BS 5440-2: 2000.
- For rooms with a volume of less than 5m³—permanent ventilation of 100cm² free area must be provided.
- For rooms with a volume of between 5m³ and 10m³ a permanent ventilation of 50cm² free area will be required unless the room has a door which opens directly to the outside air in which case no permanent ventilation is required.
- For rooms with a volume greater than 10m³—no permanent ventilation is required.

Note: Regardless of room size, all rooms containing the appliance must have direct access to the outside air via an openable window or equivalent.

- Where there are other fuel burning appliances in the same room, the current version of BS 5440-2: 2000 should be consulted to determine the correct amount of free area ventilation requirements.
- The above requirements allow also for use of a gas oven and grill but if there are other gas burning appliances in the same room, consult a qualified engineer.

FITTING THE ADJUSTABLE FEET

Fitting the adjustable feet

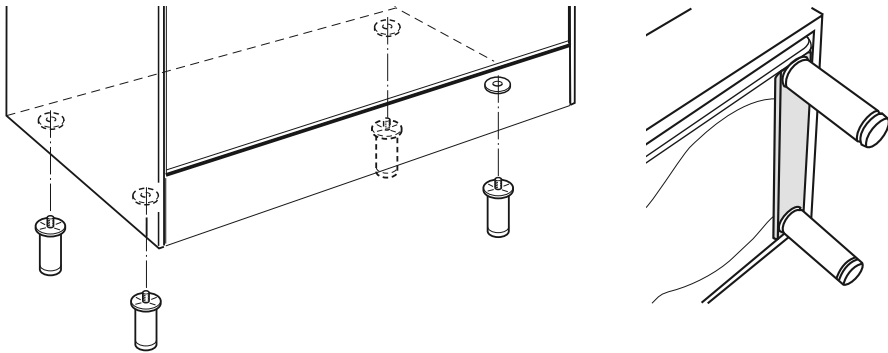
The adjustable feet must be fitted to the base of the cooker before use.

Rest the rear of the cooker on a piece of the polystyrene packaging exposing the base for the fitting of the feet.

IMPORTANT

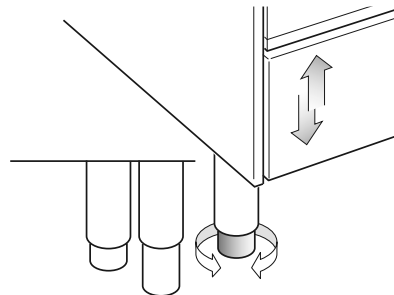
Take care not to damage the cooker during this operation.

Fit the four legs by screwing them tight into the support base as shown.



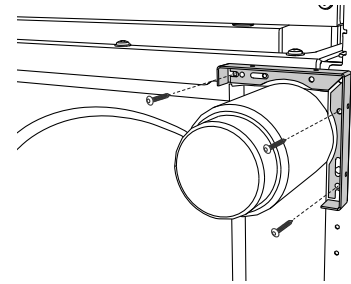
Levelling the cooker

- The cooker may be levelled by screwing the lower ends of the feet IN or OUT.
- Small adjustments may be made to the cooker in the upright position, however it may be necessary to tip the cooker again to make larger adjustments.

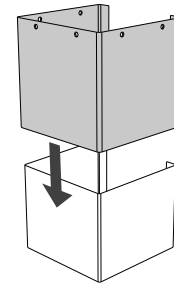


Fitting the adjustable feet covers (optional)

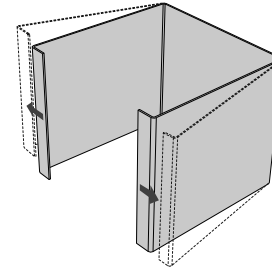
If using the adjustable feet covers fit these while the cooker is tipped over.



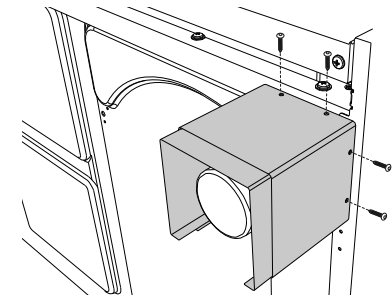
- ① Tip cooker onto its back and fix brackets to mounting holes.



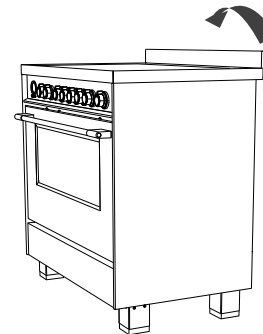
- ② Assemble the feet covers by slotting the inner cover inside the outer cover.



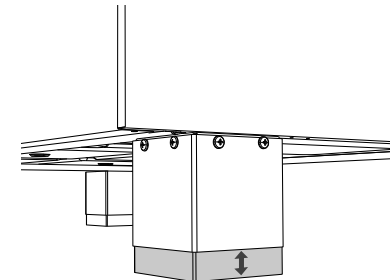
- ③ Gently bend the edges of the inner cover to adjust the tension between the two parts if needed.



- ④ Secure covers to brackets using the provided screws.



- ⑤ Stand cooker back upright.

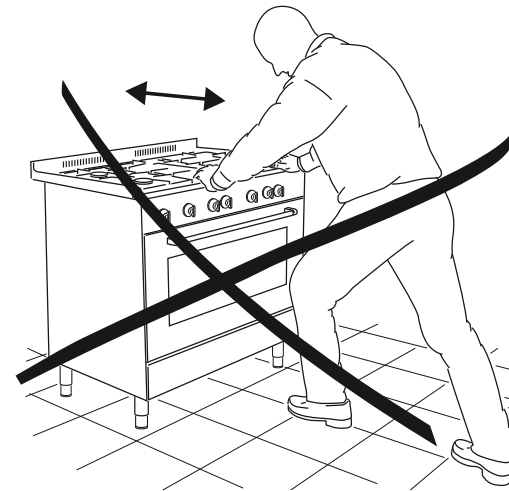
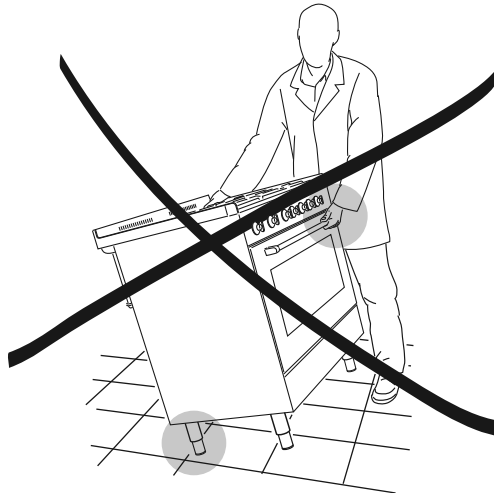
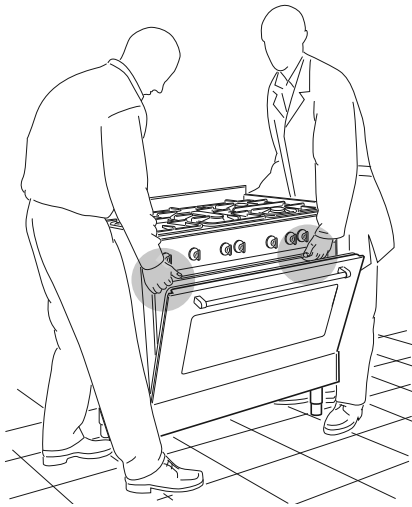


- ⑥ Adjust the inner panels of the foot covers to suit height of cooker feet.

MOVING THE COOKER

IMPORTANT!

- When raising cooker to upright position always ensure two people carry out this manoeuvre to prevent damage to the adjustable feet.
- Be careful: do not lift the cooker by the oven door handle, the hob rail or by lifting the cooktop trim as this may damage the appliance.
- When moving cooker to its final position DO NOT DRAG. Lift feet clear of floor.



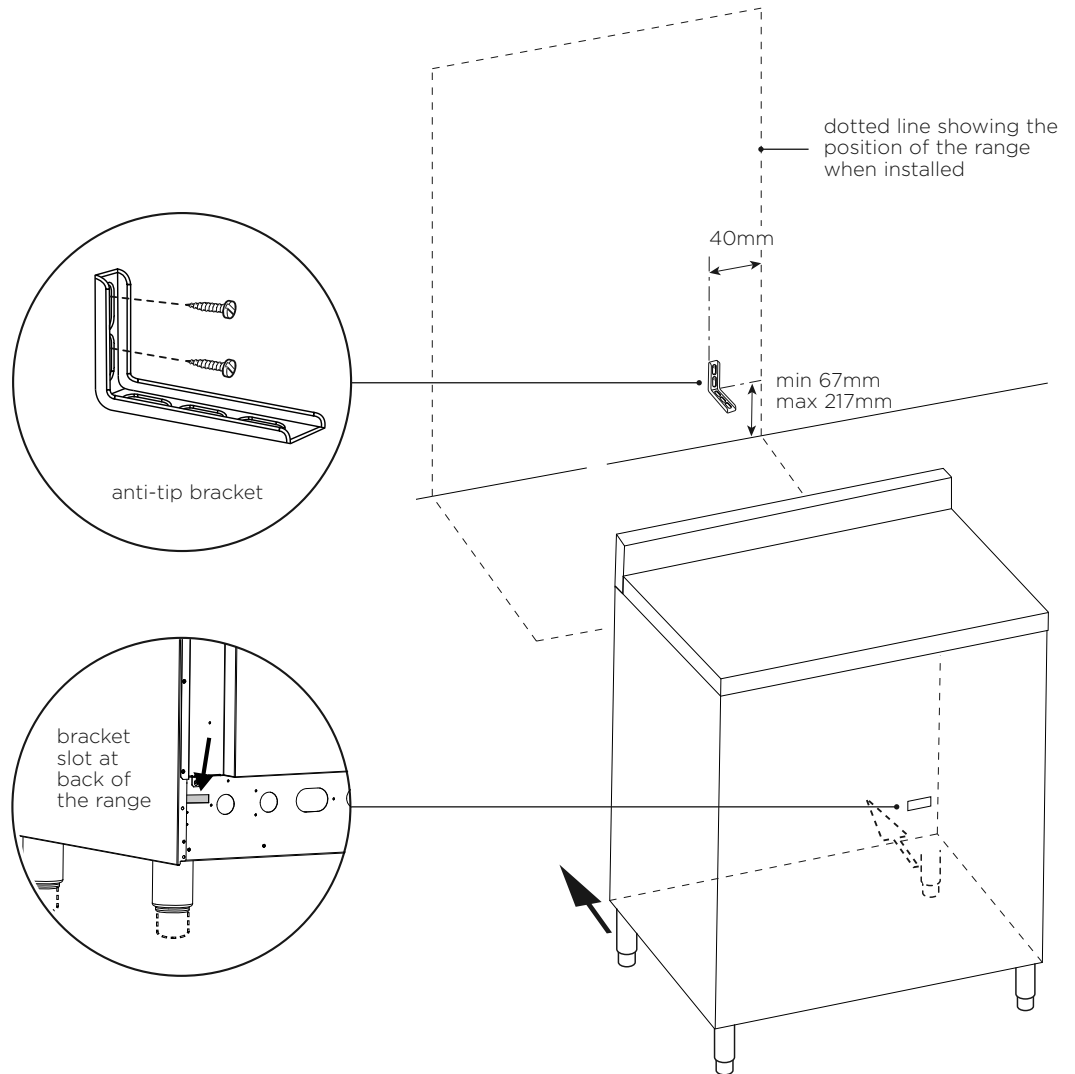
INSTALLING THE ANTI-TIP BRACKET

IMPORTANT!

- To restrain the cooker and prevent it tipping accidentally secure the cooker to the wall using the supplied anti-tip bracket.
If installing the cooker above a plinth (without fitting the adjustable feet) revise the installation dimensions for the anti-tip bracket accordingly, considering that the feet have the following measurements: min 85mm-max 133mm.
- Before drilling and holes or inserting any screws into the floor or wall check that you will not damage any wiring or pipes.
- When sliding the cooker back into place take care not to trap the power supply cable or gas connection hose in the anti-tip bracket.

Fit the anti-tip bracket

- ① Loosely fix the anti-tip bracket to the wall using the supplied screws.
- Drill two 8mm diameter holes in the wall and insert the supplied plastic sleeve anchors before inserting the screws.
- ② Slide the cooker into place and adjust the height of the bracket so that it will align with the slot on the back of the cooker.
- ③ Tighten the screws to fix the anti-tilt bracket in place.
- ④ Push the cooker back into place so that the bracket is fully inserted into the slot on the back of the cooker.

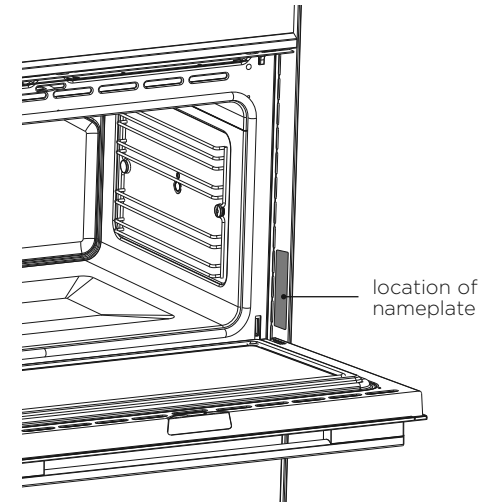


IMPORTANT!

- This cooker must be connected to the mains power supply only by a suitably qualified person in accordance with current regulations. This cooker must be earthed.
- The appliance must be connected to the mains checking that the voltage corresponds to the value given in the rating plate and that the electrical cable sections can withstand the load specified on the plate.
- It is recommended that the appliance is connected via a dedicated cooker circuit using a double pole cooker switch with a rating equal or greater than the total loading of the cooker, with a minimum opening between the contacts of 3mm.
- Alternative connection methods may be available as long as they conform to current IEE wiring regulations.
- The power supply cable must not touch the hot parts and must be positioned so that it does not exceed 75°C at any point.
- Once the appliance has been installed, the switch or socket must always be accessible within 2 metres.
- Before carrying out any work on the electrical parts of the appliance, the appliance must be disconnected and locked off from the mains.
- This appliance must be connected to the electrical supply using a cable fitted with an appropriately rated plug. The plug must be compatible with the socket-outlet fitted to the final subcircuit in the fixed wiring that is intended to supply the appliance.

Replacing the power cord

- If the power supply cable is damaged it must be substituted by a suitable cable available in the after sales service.



CONNECTION OF THE POWER SUPPLY CABLE

IMPORTANT!

- The power supply cable must be connected by an authorised service person.
- DO NOT unscrew the screws fixing the cover plate behind the terminal block.

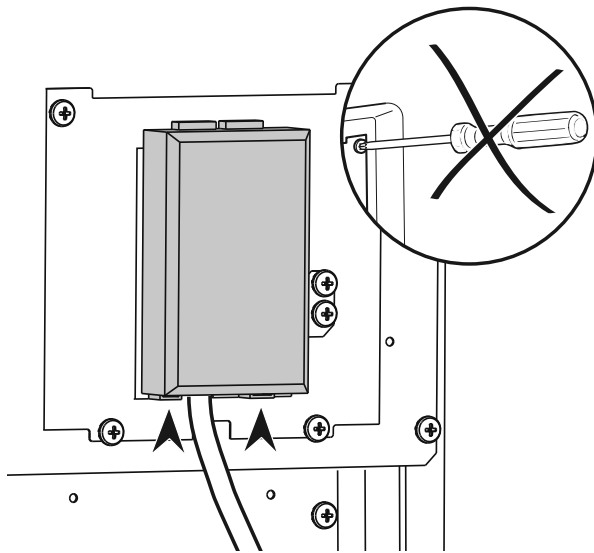
Feeder cable section

Use type HO5RR-F cable.

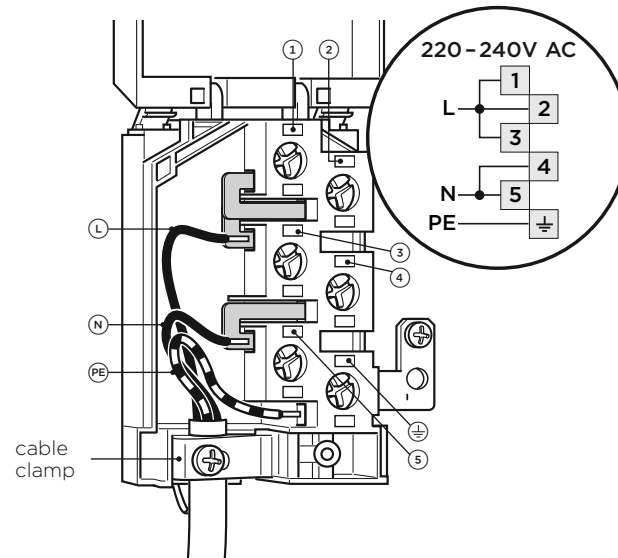
MODEL	CABLE SPECIFICATIONS
OR90S models	220-240 V 50Hz 3 x 2,5 mm ² *

*Connection with wall box connection.

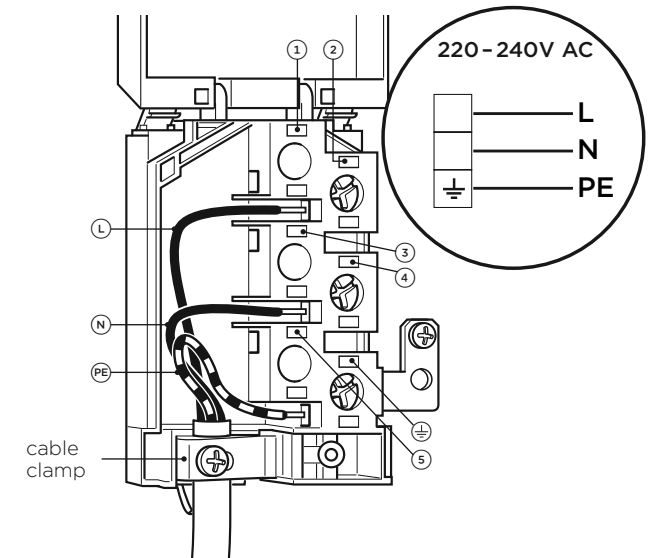
OR90SG6 MODELS ONLY



- ① Unhook the terminal board cover by inserting a screwdriver into the two hooks at the base of the block.



- ② Unscrew the screw to open the cable clamp. For OR90SCG6 and OR90SDG6 models, connect the U bolts onto the terminal.



- ③ Connect the phase, neutral and earth wires to the terminal board as shown. Strain the feeder cable and block it with cable clamp. Screw clamp shut before closing the main cover.

GAS CONNECTION

Gas supply

- The connection must be performed by an authorised person according to the relevant standards.
- This appliance is suitable for use with Natural Gas or LPG. The gas cooker is shipped from the factory set and adjusted for Natural Gas. It can be converted for use with LPG following the instructions in this manual.
- If the Natural gas/LPG conversion kit is not supplied with the appliance this kit can be purchased by contacting the After-Sales Service.

If connecting the gas with a flexible hose

- The ambient temperature of the hose must not exceed 70°C. These hoses must be manufactured in accordance with BSE669 part 1 or EN 14800 and be of the correct construction for the type of gas being used.
- Never use a hose designed for natural gas for supplying LPG gas. (LPG hoses either have a red band or stripe on the rubber outer coating of the hose.)
- The hose should not be crushed or trapped or be in contact with sharp or abrasive edges.

WARNING:

Only a suitably qualified and registered installer, also with technical knowledge of electricity should install the appliance. They should observe the Regulations and Codes of Practice governing such installation of gas appliances.

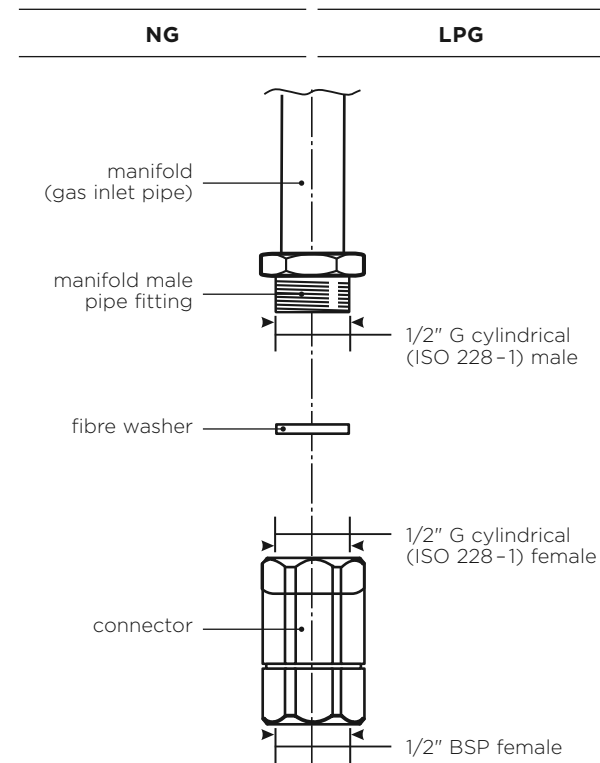
Note: It is recommended that the gas connection to the appliance is installed with a flexible hose connecting tube made to BS669 or EN 14800.

Installation to Natural Gas (NG)

- Installation to Natural Gas must conform to the Code of Practice, etc.
- The supply pressure for Natural Gas is 20 mbar.
- The installation must conform to the relevant British/European Standards.

Installation to LP Gas (LPG)

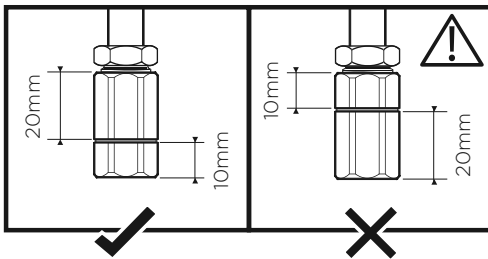
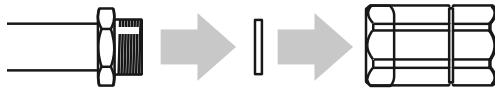
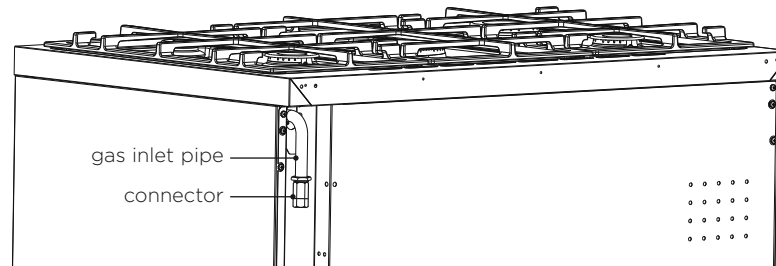
- When operating on Butane gas a supply pressure of 28 - 30 mbar is required.
- When using Propane gas a supply pressure of 37 mbar is required.
- The installation must conform to the relevant British/European Standards.



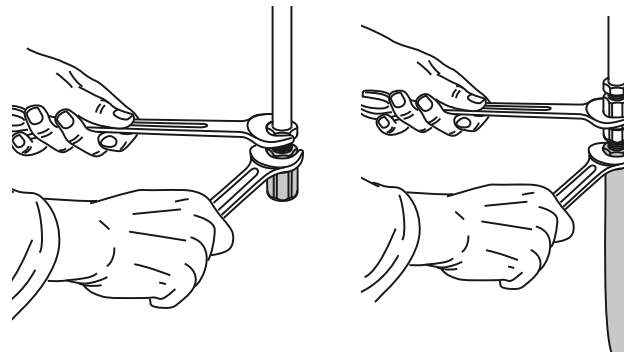
GAS CONNECTION

IMPORTANT!

- The connection must be performed by an authorised person according to the relevant standards.
- The gas supply must use the gas inlet pipe which is located at the left hand side at the rear of the appliance.



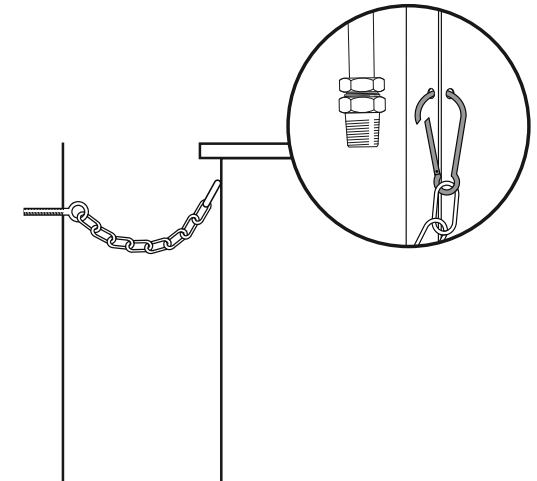
- ① Before connecting the appliance to the gas main, fit the female connector to the left inlet pipe using the fibre washer supplied. Ensure connector is positioned as shown above.



IMPORTANT!

Use two wrenches to tighten the connection.

- ② Tighten the connection between the inlet pipe and connector. Once tightened, fit the hose to the connector. Ensure the hose is not crushed, trapped or in contact with sharp or abrasive edges or subjected to corrosion by acidic cleaning agents. The hose should also be connected in such a way that it does not touch the floor and must hang in a natural loop between the appliance and the bayonet fitting.

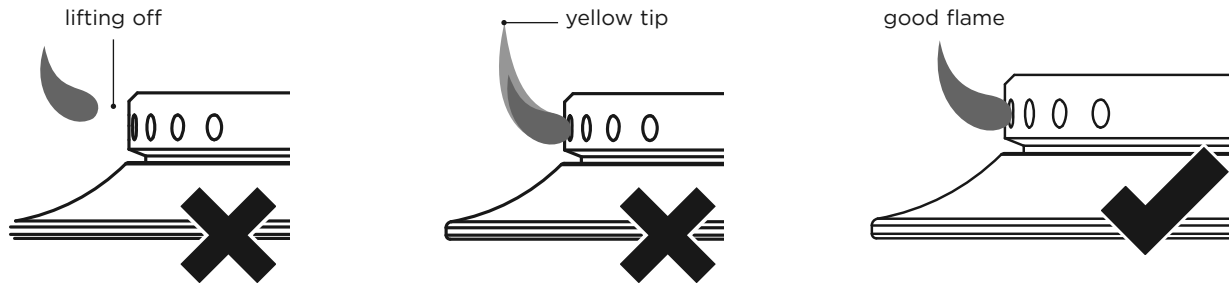


- ③ A restraining chain (not supplied) must be attached securely to the cooker and the rear wall. This is used to prevent stress being applied to the gas hose or pipework.

FLAME TESTING

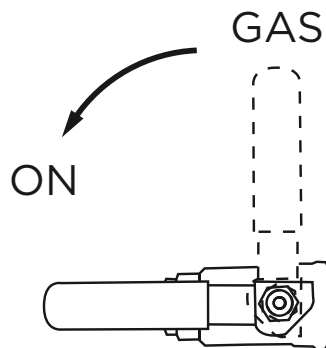
- The operation of the appliance must be tested when installation is completed.
- Turn on the appliance gas controls and light each burner individually and in combination. Check for a well defined blue flame without any yellow tipping.
- If any abnormality is evident then check that the burner cap is located properly and the injector nipple is aligned correctly.
- Check the minimum burner setting by quickly rotating the gas control knob from the maximum to the minimum position. The flame must not go out. If adjustment is required see section 'Adjusting the minimum burner setting'.

If correct burner operation cannot be achieved, the installer shall check the installation and contact the local gas supply authority to ensure there are no gas supply problems. If correct operation still cannot be achieved contact Customer Service.



LEAK TESTING

- Ensure all oven and burner knobs are set to OFF before connecting cooker to gas supply.
- After final gas connection is made, turn gas supply on and test all connections in gas supply piping for gas leaks with a soapy water solution.
- In order to avoid property damage or serious personal injury, never use a lighted match or open flame. If a leak is present, tighten joint or unscrew, apply more joint compound, tighten again and retest connection for leak.



It is the responsibility of the gas installer to ensure that the product is fully tested and commissioned in accordance with current regulations to ensure there are no gas escapes.

GAS CONVERSION

Conversion to LP/Propane Gas

Conversion to LPG

- This cooker can be used with Natural Gas or LPG. It is shipped from the factory adjusted for use with Natural gas.
- Any conversion required must be performed by an authorised person or service agent.
- The cooker is supplied with a set of injectors required for converting the cooker burners.
- Refer to the following table to select the appropriate size injector. The nozzle diameters (hundredths of a millimetre) are marked on the body of each injector.

IMPORTANT!

- After converting the cooker repeat flame testing.
- If the cooker has been disconnected and re-connected to the gas supply line repeat leak testing.
- After conversion to ULPG gas affix the supplied conversion label near the data plate on the product, as well as at the beginning of this manual.
- If the cooker is being converted for use ULPG, before connecting to the gas mains remove the appliance gas regulator and replace with test point adaptor.

Injectors table

BURNERS	NOMINAL POWER	REDUCED POWER	LPG G30 28 - 30 MBAR G31 37 MBAR	NATURAL GAS G20 20 MBAR
	KW	KW	Ø INJECTOR 1/100 MM	Ø INJECTOR 1/100 MM
Semirapid (SR)	1.75	0.45	66	101
Triple Ring (TR)	4.00	1.50	98	141
Dual (D)	Inner crown	0.80	46 (no.1 central)	70 (no.1 central)
	Outer crowns	4.50**	70 (no.2 outer)	104 (no.2 outer)

*Power calculated with inner crown operating

**Power calculated with inner and outer crowns operating

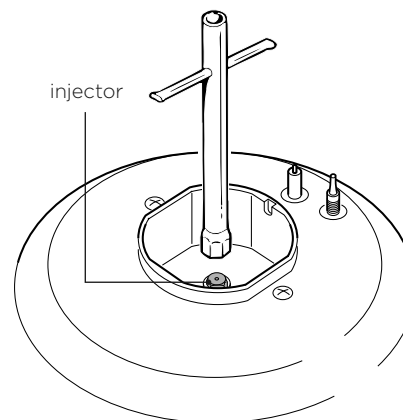
Injectors: AIR VENT NECESSARY FOR GAS COMBUSTION = (2M³/H x kW)

BURNERS	AIR NECESSARY FOR COMBUSTION (M ³ /H)	
Semirapid (SR)	3.50	
Triple Ring (TR)	8.00	
Dual (D)	Inner crown	1.60
	Outer crowns	9.00

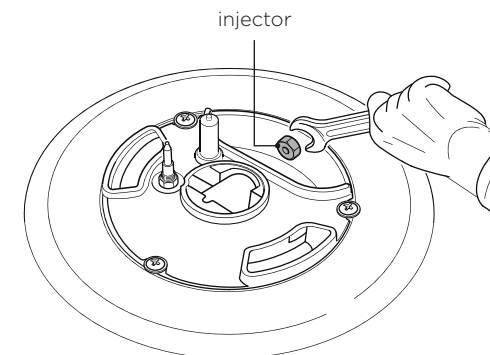
Replacing the cooktop burner injectors

- ① Remove the pan supports, the burner caps and the flame spreaders.
- ② Using a wrench substitute the nozzle injectors with those most suitable for the kind of gas for which it is to be used.
- ③ Adjust the minimum burner setting (see 'Adjusting the minimum burner setting')
- ④ Refit the flame spreaders, the burner caps and the pan supports.
- ⑤ Fix the warning label (supplied with the conversion kit) stating that the cooker has been converted for use with ULPG to the rear of the cooker. Ensure it is in close proximity to the gas inlet connection.

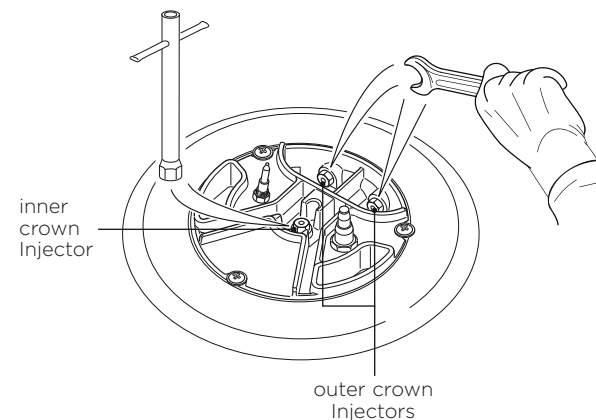
Note: The burners are designed so that no regulation of the primary air is required



Semi-rapid burners



Triple ring burners



Dual burner

ADJUSTING THE MINIMUM BURNER SETTINGS

Adjusting the cooktop burner minimums

Check whether the flame spreads to all burner ports when the burner is lit with the gas tap set to the minimum position.

- If some ports do not light, increase the minimum gas rate setting.
- Check whether the burner remains lit even when the gas tap is turned quickly from the maximum to the minimum position.
- If the burner does not remain lit, increase the minimum gas rate setting.

To regulate the flame:

Semi-rapid and Triple-ring Wok burners (A)

- Light the burner
- Set the gas valve to **LO** position (minimum rate)
- Remove the knob.
- With a thin screwdriver, turn the regulation screw inside the tap rod until adjustment is correct

Inner crown Dual Wok burner (B)

- Light the dual wok burner
- Set the gas valve to **LO** position (minimum rate of inner crown)
- Remove the knob
- With a thin screwdriver, turn the regulation screw until adjustment is correct.
- The screw is accessible via a hole in the microswitch.

Outer crown Dual Wok burner (C)

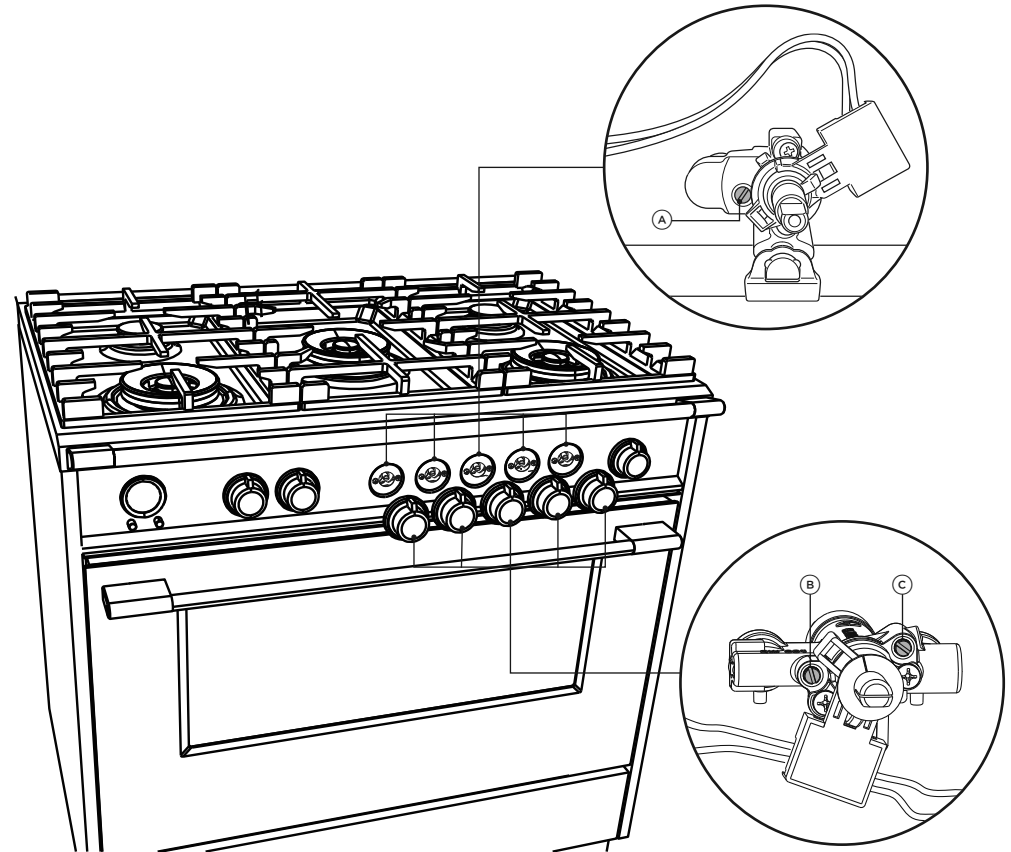
- Light the dual wok burner
- Set the gas valve to **LO** position (minimum rate of outer crown and maximum rate of inner crown).
- Remove the knob.
- With a thin screwdriver, turn the regulation screw inside the tap rod until adjustment is correct.

For LPG, tighten the adjustment screws completely.

Lubrication of the gas valves

- If a gas valve becomes stiff, it is necessary to dismantle it carefully and clean it with petroleum spirit.
- Specialist high temperature resistant grease should be used to lubricate the valve before replacing.

This must be carried out by an authorised person or service agent.



(A) Regulation screw (Auxilliary, Rapid, Semi-rapid, Triple-ring and Single Wok burners)

(B) Regulation screw (Inner crown Dual Wok burner)

(C) Regulation screw (Outer crown Dual Wok burner)

FINAL CHECKLIST

TO BE COMPLETED BY THE INSTALLER

GENERAL

- Placement of unit.
- Specified clearance maintained to cabinet surfaces.
- Unit Level—front to back, side to side.
- All packaging material and tie straps removed.
- Island trim or optional backguard correctly attached.
- The anti-tip bracket is correctly installed.

ELECTRICAL

- Adequate ground connection.

GAS SUPPLY

- Site gas supply is compatible with cooker model, and sufficient pressure is available (see section 'Gas connection').
- The pressure regulator (Natural Gas) or the test point adapter (ULPG) are connected and correctly set for the type of gas.
- Unit tested and free of gas leaks.

OPERATION

- All internal packing materials removed. Check below the cooktop grates and inside the oven.
- If converted for use with ULPG, confirm that the test point adapter and cooktop burner injectors have been correctly set for use with ULPG.
- Dials turn correctly and freely.
- Each burner lights satisfactorily, both individually and with other burners operating at the same time.
- The oven display is functioning correctly and the oven is heating when turned on.
- Oven door hinges seated and door opens and closes properly.
- Cooktop grates are correctly positioned, level, and do not rock.
- Cooktop burner flame correct.

Complete and keep for safe reference:

Model _____

Serial No. _____

Purchase Date _____

Purchaser _____

Dealer Address _____

Installer's Name _____

Installer's Signature _____

Installation Company _____

Installation Date _____

FISHERPAYKEL.COM

© Fisher & Paykel Appliances 2019. All rights reserved.
The product specifications in this document apply to the specific products and models described at the date of issue. Under our policy of continuous product improvement, these specifications may change at any time. You should therefore check with your Dealer to ensure this booklet correctly describes the product currently available.

GB IE

591554C 06.19