

**76CM BUILT-IN OVENS AND COMPANIONS
PROFESSIONAL**

PLANNING GUIDE

SERIES 9 & 11

DOUBLE OVEN | OB76DPPTX1

OVEN | OB76SPPTX1

STEAM OVEN | OS76NPTX1

SPEED OVEN | OM76NPTX1

BUILT-IN COFFEE MAKER | EB76PSX1

WARMING DRAWER | WB76SPEX1

FISHER & PAYKEL

This comprehensive Planning Guide provides you with the framework and tools to achieve your desired design outcome with Fisher & Paykel appliances. In this guide, you will find a range of conceptual, detailed and dimensional product information to bring your ideas to life and create spaces that truly reflect your vision.

CONTENTS

| CONCEPT DESIGN | PAGE | DEVELOPED AND DETAILED DESIGN | PAGE | DEVELOPED AND DETAILED DESIGN | PAGE |
|---|-----------|-------------------------------|-----------|---|-----------|
| Design Choices | | Data Sheets | | Planning Considerations | |
| Ovens and Companions - ALL MODELS | 4 | Double Oven | 17 | Cabinetry Preparation - ALL MODELS | 24 |
| Configurations - ALL MODELS | 5 | Oven | 18 | Configurations - ALL MODELS | 25 |
| Overview - ALL MODELS | 6 | Built-in Coffee Maker | 19 | Double Oven | 26 |
| | | Combination Steam Oven | 20 | Oven | 27 |
| Specification Guides | | Combination Microwave Oven | 21 | Built-in Coffee Maker | 28 |
| Double Oven | 8 | Warming Drawer | 22 | Combination Steam Oven | 30 |
| Oven | 9 | | | Combination Microwave Oven | 31 |
| Built-in Coffee Maker | 10 | | | Warming Drawer | 32 |
| Combination Steam Oven | 11 | | | | |
| Combination Microwave Oven | 12 | | | Services | |
| Warming Drawer | 13 | | | Power Cord Length and Location - COMPANIONS | 34 |
| Dimensions - ALL MODELS | 14 | | | Power Cord Length and Location - | |
| Power, Weight and Capacity - ALL MODELS | 15 | | | STEAM + MICROWAVE | 35 |
| | | | | Power Cord Length and Location - OVENS | 36 |

The models shown in this Planning Guide may not be available in all markets and are subject to change at any time. Product specifications may vary from those shown. This Planning Guide should not be used as installation guidance for any product. Further information is required to safely and correctly install the products featured here. Specific installation guidance will be available on our website fisherpaykel.com

DESIGN CHOICES

OVENS

COMPANIONS

INSTALLATION OPTIONS

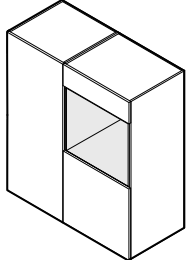
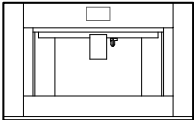
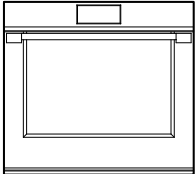
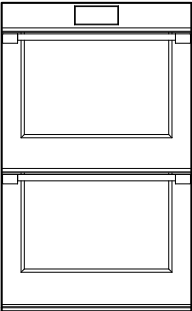
OVEN

COMBINATION STEAM

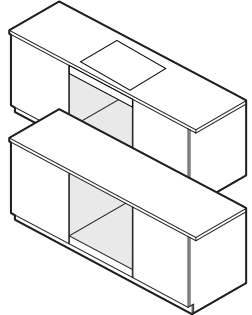
COMBINATION MICROWAVE

BUILT-IN COFFEE MAKER

WARMING DRAWER



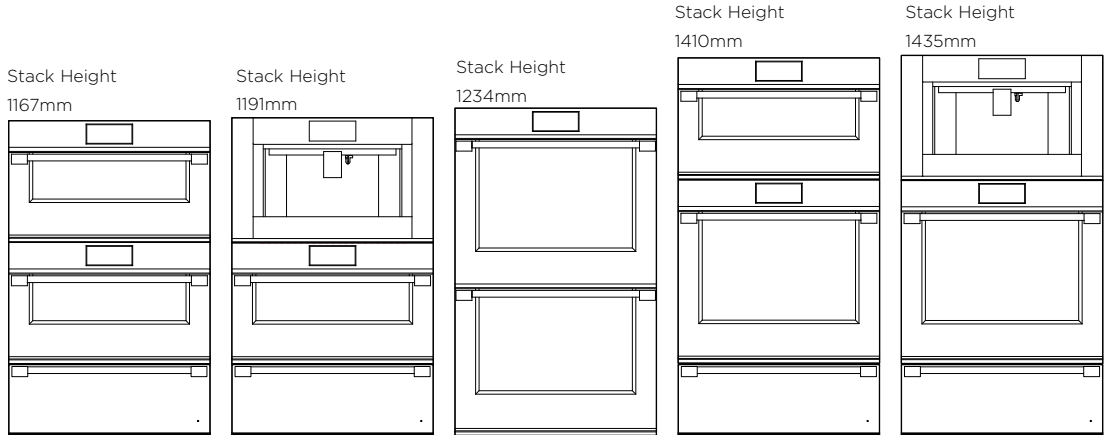
INSTALLATION IN WALL



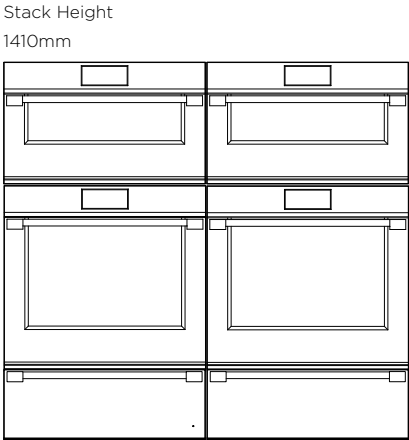
INSTALLATION UNDER-BENCH

The models shown in this Planning Guide may not be available in all markets and are subject to change at any time. Product specifications may vary from those shown. This Planning Guide should not be used as installation guidance for any product. Further information is required to safely and correctly install the products featured here. Specific installation guidance will be available on our website fisherpaykel.com

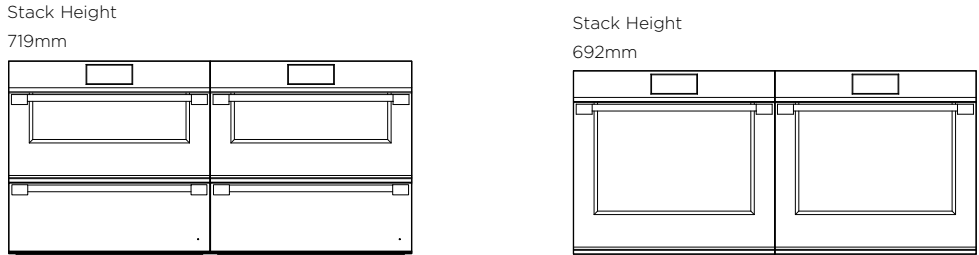
STACKED INSTALLATION



GRID INSTALLATION



ROW INSTALLATION

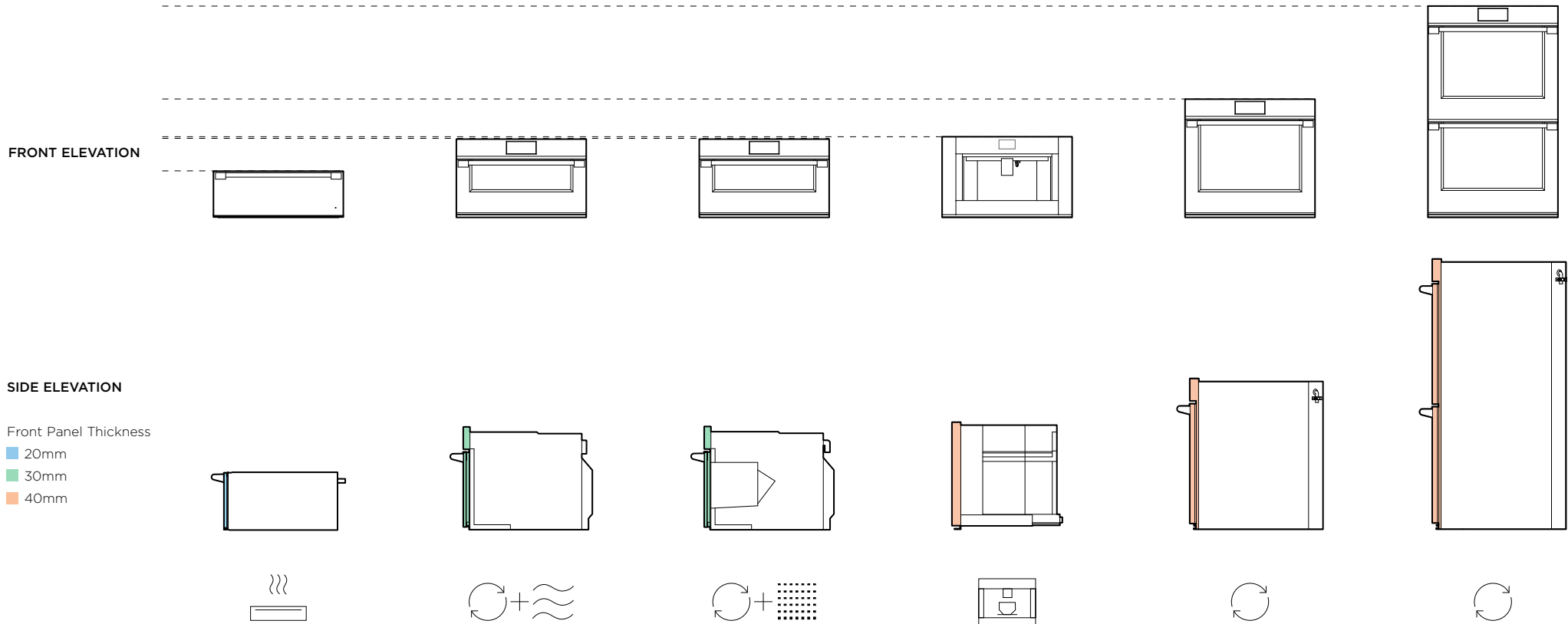


CONSIDERATIONS

Different configurations possible, consider heights for row and grid installations.

Note: Stack Height is overall product height with minimum clearance above appliance front panel to upper cabinetry front panel or appliance.

The models shown in this Planning Guide may not be available in all markets and are subject to change at any time. Product specifications may vary from those shown. This Planning Guide should not be used as installation guidance for any product. Further information is required to safely and correctly install the products featured here. Specific installation guidance will be available on our website fisherpaykel.com



| | WARMING DRAWER | COMBINATION MICROWAVE OVEN | COMBINATION STEAM OVEN | BUILT-IN COFFEE MAKER | OVEN | DOUBLE OVEN |
|------------------------------|----------------|----------------------------|------------------------|-----------------------|----------------|----------------|
| Series | Series 9 | Series 9 | Series 9 | Series 9 | Series 9 | Series 9 |
| Model Code | WB76SPEX1 | OM76NPTX1 | OS76NPTX1 | EB76PSX1 | OB76SPPTX1 | OB76DPPTX1 |
| Interface | - | 5" Touchscreen | 5" Touchscreen | 4.3" Touchscreen | 5" Touchscreen | 5" Touchscreen |
| Height | 271mm | 458mm | 458mm | 470mm | 689mm | 1232mm |
| Front Panel Thickness | 20mm | 30mm | 30mm | 40mm | 40mm | 40mm |

The models shown in this Planning Guide may not be available in all markets and are subject to change at any time. Product specifications may vary from those shown. This Planning Guide should not be used as installation guidance for any product. Further information is required to safely and correctly install the products featured here. Specific installation guidance will be available on our website fisherpaykel.com

SPECIFICATION GUIDE

SERIES 9 & 11



OVERVIEW

Complete your Professional-style kitchen with this 76cm Double Oven. It matches perfectly with any of our Professional kitchen appliances to deliver the feel of a commercial kitchen in the home. Intuitive controls and the performance to deliver perfect results make this double oven beautiful to use.

PRODUCTS

OB76DPPTX1

Double Oven, 76cm, 17 Function, 115L + 115L, Touchscreen, Stainless Steel

SERIES & STYLE

Series 9
Professional

FEATURES

- ① Designed to fit flush with cabinetry
- ② Designed to match the rest of Fisher & Paykel's Professional style family of appliances
- ③ Generous 115L per oven, 230L total capacity
- ④ High-resolution, user-friendly 5" touch display
- ⑤ Guided cooking and recipes
- ⑥ Perfect results from a variety of oven functions
- ⑦ Even heat distribution throughout with AeroTech™ technology
- ⑧ Self-cleaning
- ⑨ CoolTouch door
- ⑩ Wi-Fi/Connected capability through the SmartHQ™ app

ACCESSORIES

- ① Full Extension Sliding Shelves*
- ② Self-cleaning-proof side racks*
- ③ Roasting dish, tray and rack*
- ④ Wired Temperature Sensor*

*Included with product

The models shown in this Planning Guide may not be available in all markets and are subject to change at any time. Product specifications may vary from those shown. This Planning Guide should not be used as installation guidance for any product. Further information is required to safely and correctly install the products featured here. Specific installation guidance will be available on our website fisherpaykel.com



OVERVIEW

Complete your Professional-style kitchen with this 76cm Oven. It matches perfectly with any of our Professional kitchen appliances to deliver the feel of a commercial kitchen in the home. With intuitive controls and the performance to deliver perfect results, this oven is beautiful to use.

PRODUCTS

OB76SPPTX1

Oven, 76cm, 17 Function, 115L, Touchscreen, Stainless Steel

SERIES & STYLE

Series 9

Professional

FEATURES

- ① Designed to match the rest of Fisher & Paykel's Professional style family of appliances
- ② Generous 115L total capacity
- ③ Intuitive, large 5" touchscreen display with illuminated dial
- ④ Guided cooking and recipes
- ⑤ Perfect results from a variety of oven functions
- ⑥ Even heat distribution throughout with AeroTech™ technology
- ⑦ Self-cleaning
- ⑧ CoolTouch door
- ⑨ Wi-Fi/Connected capability through the SmartHQ™ app



ACCESSORIES

- ① Full Extension Sliding Shelves*
- ② Self-cleaning-proof side racks*
- ③ Roasting dish, tray and rack*
- ④ Wired Temperature Sensor*

*Included with product

The models shown in this Planning Guide may not be available in all markets and are subject to change at any time. Product specifications may vary from those shown. This Planning Guide should not be used as installation guidance for any product. Further information is required to safely and correctly install the products featured here. Specific installation guidance will be available on our website fisherpaykel.com



OVERVIEW

Designed to complement our Professional style oven and warming drawer, this built-in coffee maker seamlessly integrates into any kitchen design with a stylish stainless steel finish. Beautiful to use, it has an intuitive touch display with 13 different beverage options to suit individual taste and selection - from Espresso to Latte. Pair with other companion products to create a kitchen suite for every need.

PRODUCTS

EB76PSX1

Built-in Coffee Maker, 76cm, 4.3" Touchscreen, Stainless Steel

Note: The models shown in this guide may not be available in all markets and are subject to change at any time.

SERIES & STYLE

Series 9

Professional

FEATURES

- ① Part of our suite of companion products, designed to match aesthetically for flexible configurations
- ② Pairs perfectly with the Professional style 76cm Oven and Warming Drawer
- ③ Intuitive touch display for ease of use
- ④ 13 beverage options to suit individual taste and selection - from Americano to Latte
- ⑤ Personalized coffee and smart self-learning menu preferences
- ⑥ Stainless steel conical burr grinder with 13 grind coarseness positions
- ⑦ Self-cleaning function, with a removable drip tray and waste container
- ⑧ 2.5L water tank capacity
- ⑨ 15 bar pump pressure
- ⑩ Adjustable coffee strength, temperature and coffee cup sizes

ACCESSORIES

- ① Thermal milk jug*
- ② Extractable steam outlet*
- ③ Coffee spoon*
- ④ Descaling agent and water filter*

*Included with product



The models shown in this Planning Guide may not be available in all markets and are subject to change at any time. Product specifications may vary from those shown. This Planning Guide should not be used as installation guidance for any product. Further information is required to safely and correctly install the products featured here. Specific installation guidance will be available on our website fisherpaykel.com



OVERVIEW

With striking Professional styling, the Combination Steam Oven fits seamlessly into any kitchen. As a companion product, this Steam Oven is designed to install easily and fit perfectly with other companion products. It features 23 functions, including steam-only, convection-only, or a combination of both. Reduce the need for oils and fats with six standalone steam functions, perfect for creating flavourful and healthy restaurant-quality meals at home.

PRODUCTS

OS76NPTX1

Combination Steam Oven, 76cm, 23 Function

SERIES & STYLE

Series 9
Professional

ACCESSORIES

- ① Full Extension Sliding Shelf*
- ② Wire Shelf*
- ③ Flat Brushed Baking Tray*
- ④ Roasting Dish*
- ⑤ Grill Rack*

FEATURES

- ① Professional style, designed to fit flush with cabinetry
- ② Generous 55L total capacity with four shelf positions
- ③ Intuitive, large 5" touchscreen display
- ④ 23 oven functions including Steam, Sous Vide, Air Fry and Crisp Regenerate
- ⑤ Guided touchscreen cooking makes it simple to cook by food, function or recipe
- ⑥ Moisture control and even heat distribution thanks to ActiveVent and AeroTech™ technology
- ⑦ 1.4L water tank
- ⑧ Wi-Fi enabled and works with the SmartHQ™ app for remote control and notifications
- ⑨ Steam Clean function ensures a spotless oven with minimal effort
- ⑩ Soft open and close door

ACCESSORIES

- ⑥ Perforated Large Steam Dish*
- ⑦ Perforated Small Steam Dish*
- ⑧ Large Steam Dish*
- ⑨ Wired Temperature Sensor*
- ⑩ Catalytic Panel*
- ⑪ Descale solution* - 2 sachets (Part 580925)

*Included with product



The models shown in this Planning Guide may not be available in all markets and are subject to change at any time. Product specifications may vary from those shown. This Planning Guide should not be used as installation guidance for any product. Further information is required to safely and correctly install the products featured here. Specific installation guidance will be available on our website fisherpaykel.com



OVERVIEW

With striking Professional styling, the Combination Microwave Oven fits seamlessly into any kitchen. As a companion product, this Microwave Oven is designed to install easily and fit perfectly with other companion products such as the Combination Steam Oven. A flexible appliance that pairs the speed of microwave cooking with oven technology, which can crisp and brown as it cooks. Featuring 22 cooking functions on an intuitive touch display for easy programming of desired cooking mode and duration.

PRODUCTS

OM76NPTX1

Combination Microwave Oven, 76cm, 22 Function

SERIES & STYLE

Series 9

Professional

FEATURES

- ① Professional style for a bold statement
- ② 49L total capacity
- ③ Intuitive, large 5" touchscreen display
- ④ Four microwave-only functions, 14 traditional oven functions, and four combination functions
- ⑤ A Wired Temperature Sensor precisely monitors cooking in real time
- ⑥ Guided cooking, with the option to access additional functionality via the SmartHQ™ app
- ⑦ Wi-Fi/Connected capability through the SmartHQ™ app
- ⑧ Soft open and close door

ACCESSORIES

- ① Wire Shelf*
- ② Chrome Shelf Runners*
- ③ Step Down Wire Shelf*
- ④ Grill Rack*
- ⑤ Glass Tray*
- ⑥ Wired Temperature Sensor*

*Included with product

The models shown in this Planning Guide may not be available in all markets and are subject to change at any time. Product specifications may vary from those shown. This Planning Guide should not be used as installation guidance for any product. Further information is required to safely and correctly install the products featured here. Specific installation guidance will be available on our website fisherpaykel.com



OVERVIEW

Designed to complement our Professional style kitchen appliances, this warming drawer has a brushed stainless steel handle, and is soft-close for a coherent, considered look. Beautiful to use, with capacitive touch controls and six tailored functions for warming, proofing, dehydrating and slow cook. Pair with other companion products to create a kitchen suite for every need.

PRODUCTS

WB76SPEX1

Warming Drawer, 76cm, Stainless Steel

SERIES & STYLE

Series 9
Professional

FEATURES

- ① Styled to perfectly match our Professional kitchen appliances
- ② Seamless pairing with other companion products in brushed stainless steel
- ③ Soft-close drawer
- ④ Easy-to-use capacitive touch controls
- ⑤ Automatic timing and switch-off functionality
- ⑥ Easy-to-clean, smooth-glass base
- ⑦ Room for 16 standard-sized place settings
- ⑧ Versatile with six tailored programmes for warming, proofing, dehydrating and slow cook

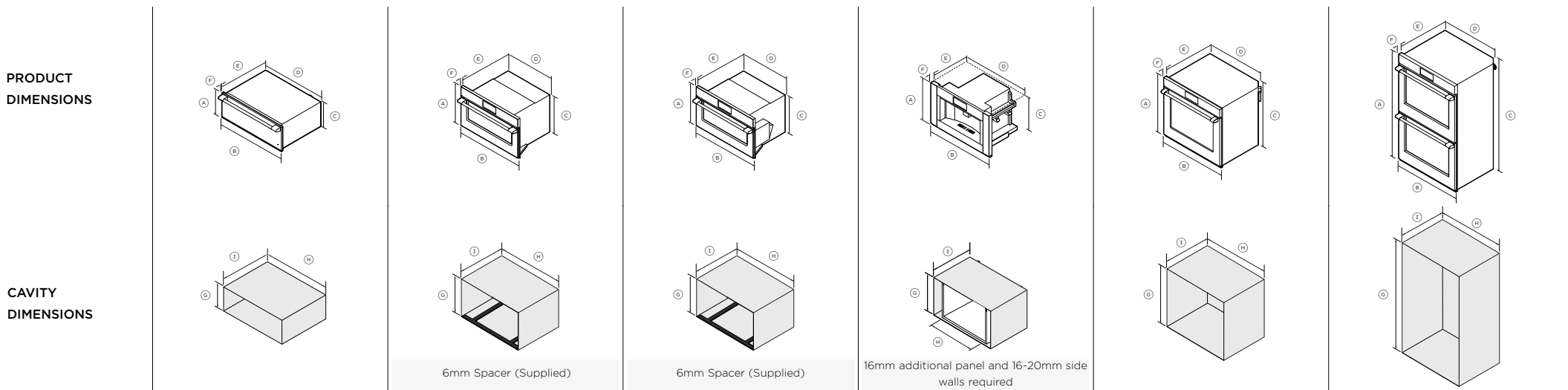
ACCESSORIES

- ① Accessory rack for optimizing space*

*Included with product



The models shown in this Planning Guide may not be available in all markets and are subject to change at any time. Product specifications may vary from those shown. This Planning Guide should not be used as installation guidance for any product. Further information is required to safely and correctly install the products featured here. Specific installation guidance will be available on our website fisherpaykel.com



| | WARMING DRAWER WB76SPEX1 | COMBINATION MICROWAVE OVEN OM76NPTX1 | COMBINATION STEAM OVEN OS76NPTX1 | BUILT-IN COFFEE MAKER EB76PSX1 | OVEN OB76SPPTX1 | DOUBLE OVEN OB76DPPTX1 |
|-------------------------------|------------------------------------|--|--|--|---------------------------|--|
| PRODUCT DIMENSIONS | | | | | | |
| Ⓐ Overall height | 271mm | 458mm | 458mm | 470mm | 690mm | 1232mm |
| Ⓑ Overall width | 760mm | 757mm | 757mm | 757mm | 757mm | 757mm |
| Ⓒ Chassis height | 271mm | 435mm | 435mm | 442mm | 674mm | 1218mm |
| Ⓓ Chassis width | 707mm | 720mm | 720mm | 560mm | 720mm | 720mm |
| Ⓔ Chassis depth | 547mm Including power plug | 545mm | 545mm | 445mm | 569mm | 569mm |
| Ⓕ Front panel thickness | 20mm | 30mm | 30mm | 40mm | 40mm | 40mm |
| Depth of oven door fully open | - | 320mm* | 320mm* | - | 550mm* | Upper door 550mm* Lower door 530mm* |

*Measured from front of control panel

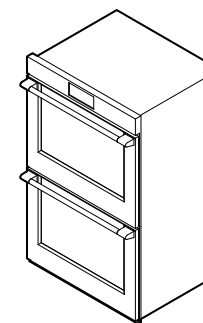
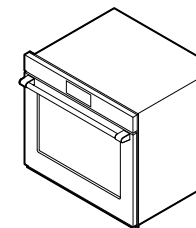
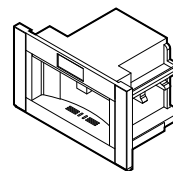
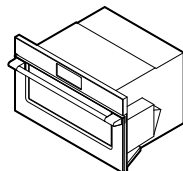
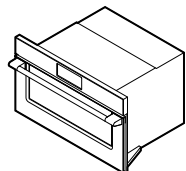
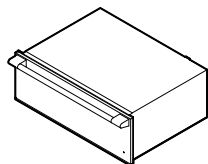
| CAVITY DIMENSIONS | | | | | | |
|-----------------------------------|----------------------------|--|--|---|---|---|
| Ⓖ Minimum inside height of cavity | 273mm* | 446mm height includes spacer thickness | 446mm height includes spacer thickness | 466mm height includes spacer thickness*** | 26 13/16" (681mm) | 48 3/16" (1224mm) |
| Ⓗ Minimum inside width of cavity | 724mm | 724mm | 724mm | 560mm | 28 1/2" (724mm) | 28 1/2" (724mm) |
| Ⓖ Minimum inside depth of cavity | Proud 560mm Flush 580mm | Proud 550mm** Flush 580mm** | Proud 550mm Flush 580mm | Proud 545mm** Flush 585mm** | Proud 22 5/8" (575mm) Flush 24 3/16" (615mm) | Proud 22 5/8" (575mm) Flush 24 3/16" (615mm) |
| Recommended cabinet width | 764mm | 764mm | 764mm | 764mm | 30 1/16" (764mm) | 30 1/16" (764mm) |

*Drawers can fully support 30inch Fisher & Paykel wall oven, without adding shelf in between

**Requires ventilation at the rear of the cavity

***Spacer required only for standalone installation

The models shown in this Planning Guide may not be available in all markets and are subject to change at any time. Product specifications may vary from those shown. This Planning Guide should not be used as installation guidance for any product. Further information is required to safely and correctly install the products featured here. Specific installation guidance will be available on our website fisherpaykel.com



WARMING DRAWER
WB76SPEX1

CONVECTION SPEED OVEN
OM76NPTX1

COMBINATION STEAM OVEN
OS76NPTX1

BUILT-IN COFFEE MAKER
EB76PSX1

OVEN
OB76SPPTX1

DOUBLE OVEN
OB76DPPTX1

POWER REQUIREMENTS

| | | | | | | |
|------------|------------------|------------------|------------------|------------------|------------------|------------------|
| Supply | 220-240 V, 50 Hz | 220-240 V, 50 Hz | 220-240 V, 50 Hz | 220-240 V, 50 Hz | 220-240 V, 50 Hz | 220-240 V, 50 Hz |
| Service | 10 A | 20 A | 20 A | 10 A | 20 A | 40 A |
| Connection | Flex cord 1800mm | Hard wired | Hard wired | Flex cord 1700mm | Hard wired | Hard wired |

WEIGHT

| | | | | | | |
|------------|------|------|------|------|-------|-------|
| Packaged | 37kg | 55kg | 55kg | 31kg | 110kg | 184kg |
| Unpackaged | 33kg | 46kg | 46kg | 27kg | 76kg | 140kg |

CAPACITY

| | | | | | | |
|------------------|---|-----|------|------|------|---------------|
| Total oven | - | 49L | 55L | 49L | 115L | 115L per oven |
| Total water tank | - | - | 1.4L | 2.5L | - | - |

SERVICES

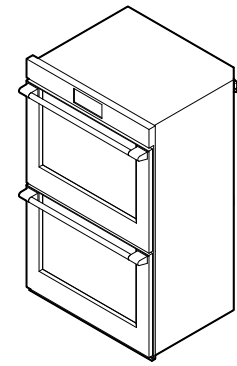
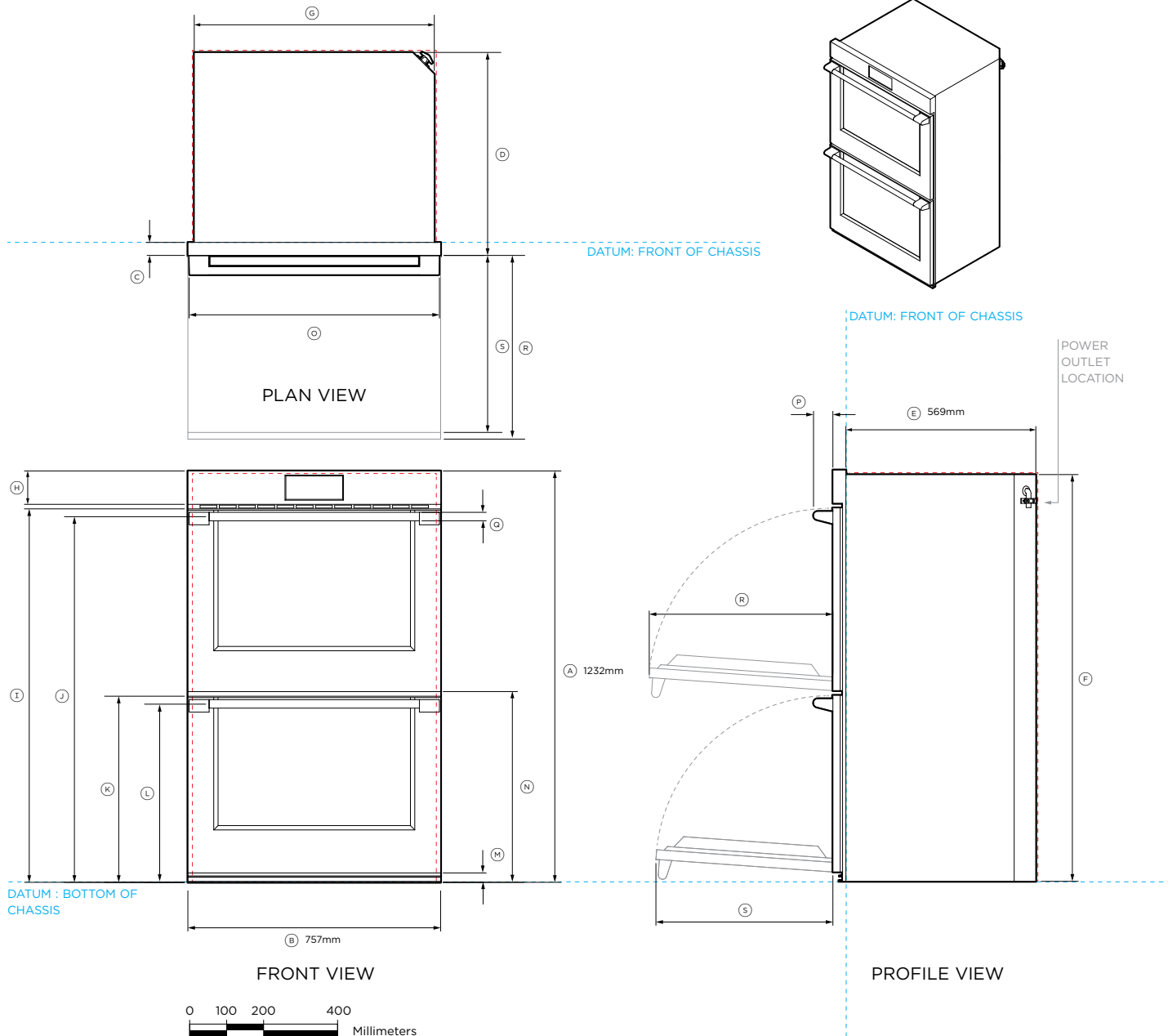
For more information on cord length, water supply and electrical requirements, refer to the 'Services' section of this Planning Guide.

WATER

All Coffee Makers and Steam Ovens have internal water tanks which need to be filled manually. No external water supply is required.

The models shown in this Planning Guide may not be available in all markets and are subject to change at any time. Product specifications may vary from those shown. This Planning Guide should not be used as installation guidance for any product. Further information is required to safely and correctly install the products featured here. Specific installation guidance will be available on our website fisherpaykel.com

DATA SHEETS



Model no:

Double Oven, 76cm - OB76DPPTX1

Product Dimensions

| | mm |
|---|-----------|
| A Overall height of product | 1232 |
| B Overall width of product | 757 |
| C Depth of control panel (excludes handle) | 40 |
| D Depth of chassis and control panel (excludes handle) | 609 |
| E Depth of chassis | 569 |
| F Height of chassis | 1218 |
| G Width of chassis | 720 |
| H Height of control panel | 100 |
| I Height from bottom datum to top of upper oven door | 1118 |
| J Height from bottom datum to centerline upper of handle | 1095 |
| K Height from bottom datum to top of lower oven door | 557 |
| L Height from bottom datum to centerline of lower handle | 533 |
| M Height from bottom datum to bottom of lower door | 28 |
| N Height from bottom datum to bottom of upper door | 571 |
| O Width of handle (including standoffs) | 748 |
| P Depth of handle (including standoffs) | 58 |
| Q Thickness of handle (not including standoffs) | 25 |
| R Depth of lower door when open (measured from front of door) | 530 |
| S Depth of upper door when open (measured from front of door) | 550 |

Minimum Clearances- Proud Installation

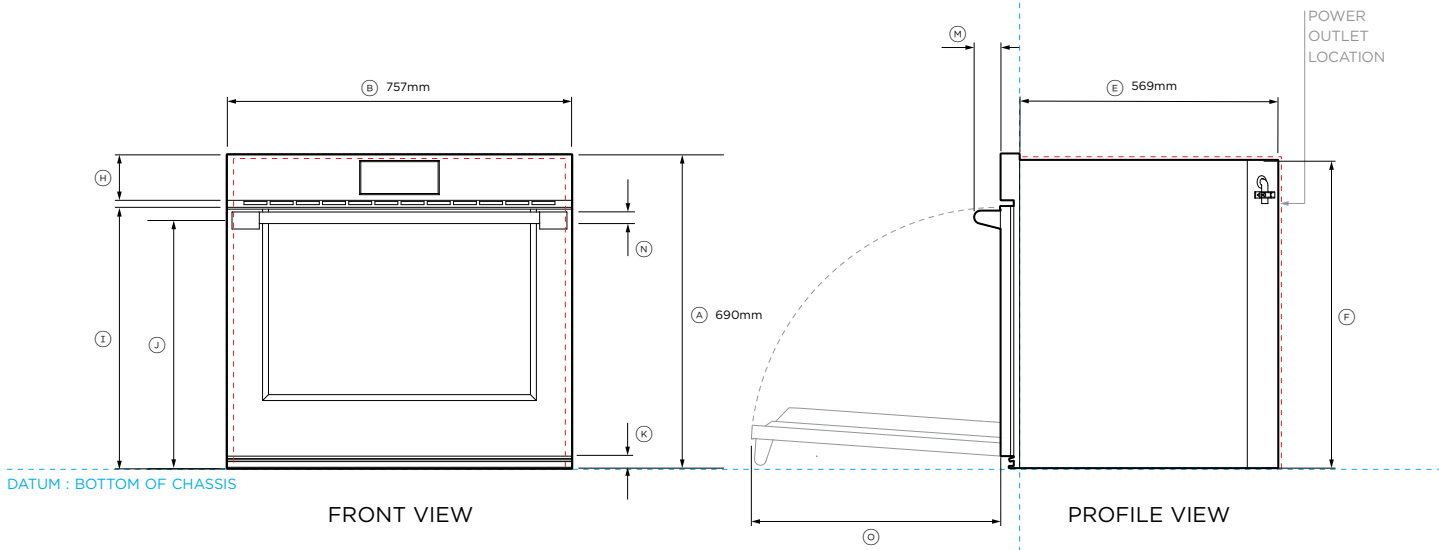
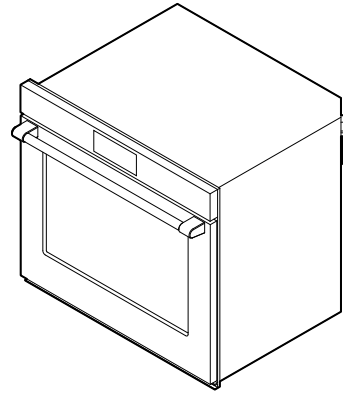
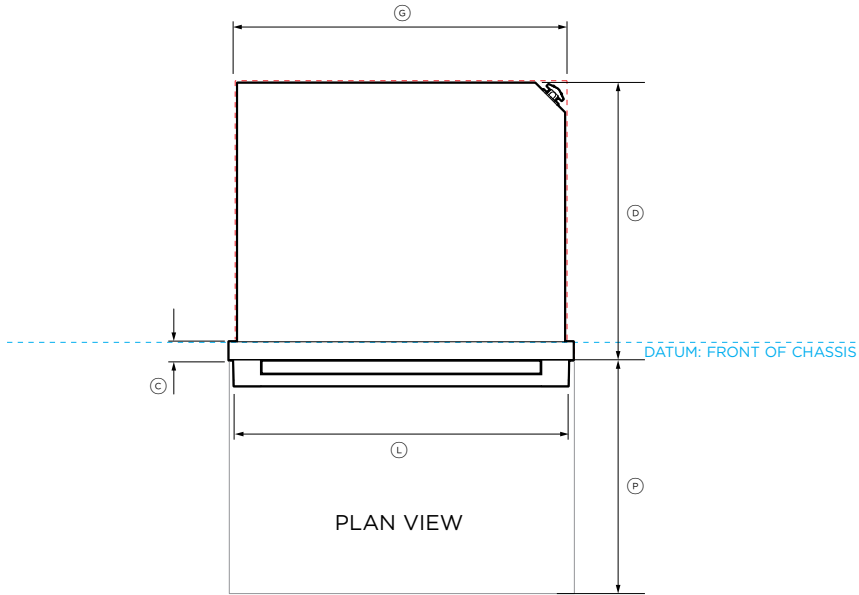
| | mm |
|--|-----------|
| Minimum inside height of cavity | 1224 |
| Minimum inside width of cavity | 724 |
| Minimum inside depth of cavity | 575 |
| Minimum clearance above oven control panel to upper cabinetry front panel or appliance | 2 |
| Minimum clearance between bottom of oven chassis to lower cabinetry front panel or appliance | 2 |

Note: Depending on cabinet panel thickness a rebate around control panel might be required.

IMPORTANT NOTE: For full installation and clearance details please refer to our installation manual.

INDICATES PRODUCT DATUM -----
 INDICATES CABINETRY CLEARANCES - - - - -

IMPORTANT NOTE: Throughout this guide, dimensions may vary by ±2mm (1/16"). Please read the Installation Guide for detailed information on installing the product. For full installation instructions visit fisherpaykel.com



Model no:

Oven, 76cm - OB76SPPTX1

Product Dimensions

| | mm |
|---|-----|
| A Overall height of product | 690 |
| B Overall width of product | 757 |
| C Depth of control panel (excludes handle) | 40 |
| D Depth of chassis and control panel (excludes handle) | 609 |
| E Depth of chassis | 569 |
| F Height of chassis | 675 |
| G Width of chassis | 720 |
| H Height of control panel | 100 |
| I Height from bottom datum to top of oven door | 574 |
| J Height from bottom datum to centerline of handle | 551 |
| K Height from bottom datum to bottom of door | 26 |
| L Width of handle (including standoffs) | 735 |
| M Depth of handle (including standoffs) | 58 |
| N Thickness of handle (excluding standoffs) | 25 |
| O Depth of door when open (measured from front of door) | 550 |

Minimum Clearances- Proud Installation

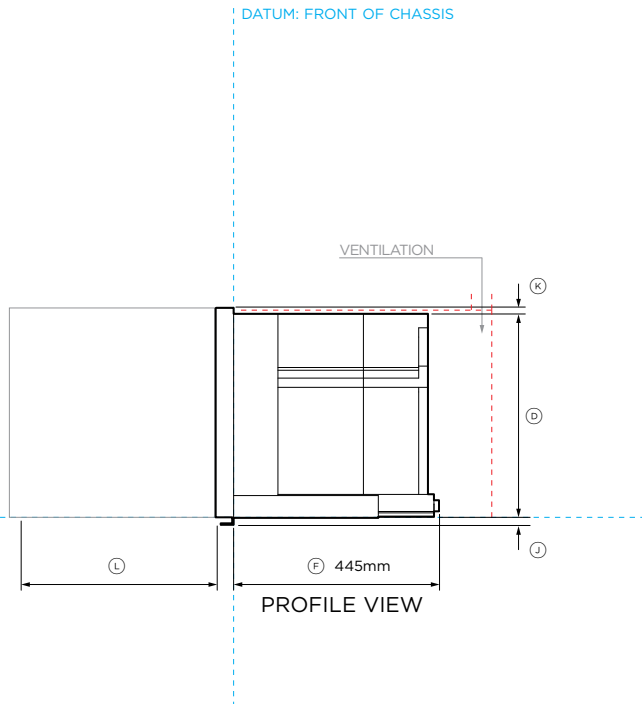
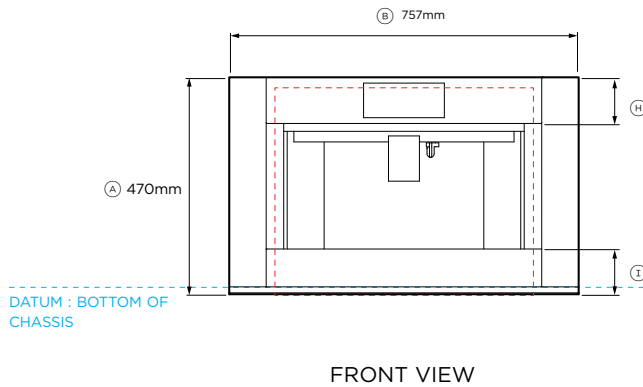
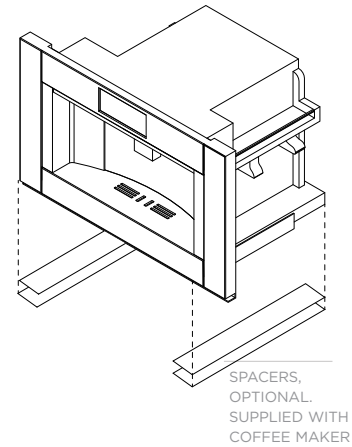
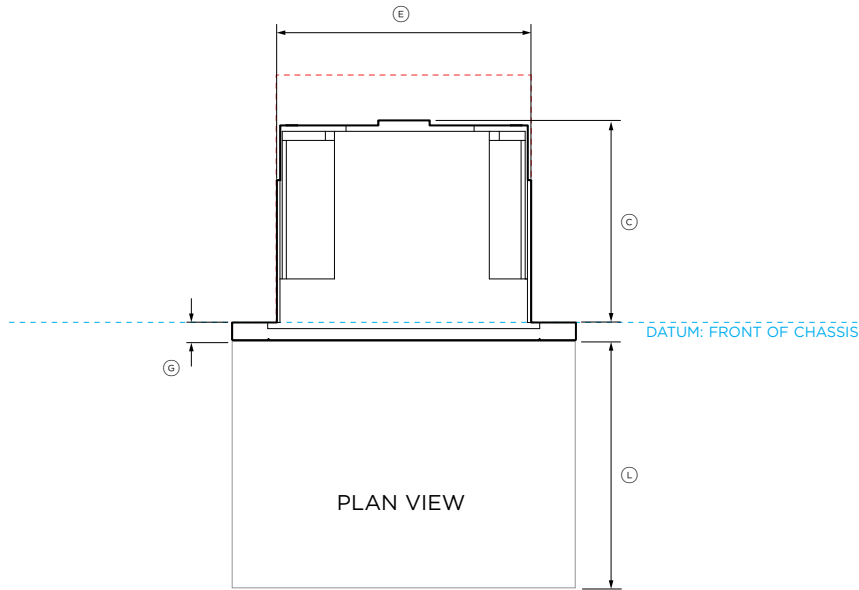
| | mm |
|--|-----|
| Minimum inside height of cavity | 681 |
| Minimum inside width of cavity | 724 |
| Minimum inside depth of cavity* | 575 |
| Minimum clearance above oven control panel to upper cabinetry front panel or appliance | 2 |
| Minimum clearance between bottom of oven chassis to lower cabinetry front panel or appliance | 2 |

Note: Depending on cabinet panel thickness a rebate around control panel might be required. Ensure a 5mm minimum clearance is maintained between the top of the oven chassis and the cabinetry. Ensure the oven is not bearing any weight from cabinetry or products installed above.

IMPORTANT NOTE: For full installation and clearance details please refer to our installation manual.

INDICATES PRODUCT DATUM -----
INDICATES CABINERY CLEARANCES -----

IMPORTANT NOTE: Throughout this guide, dimensions may vary by ±2mm (1/16"). Please read the Installation Guide for detailed information on installing the product. For full installation instructions visit fisherpaykel.com



Model no:

Built-in Coffee Maker, 76cm - EB76PSX1

Product Dimensions

| | mm |
|---|-----|
| Ⓐ Overall height of product | 470 |
| Ⓑ Overall width of product | 757 |
| Ⓒ Overall depth of product | 484 |
| Ⓓ Height of chassis | 442 |
| Ⓔ Width of chassis | 560 |
| Ⓕ Depth of chassis | 445 |
| Ⓖ Depth of control panel | 40 |
| Ⓜ Height of control panel | 100 |
| Ⓣ Height from top of lower front panel to bottom of product | 98 |
| Ⓝ Height from bottom of chassis to bottom of lower trim | 15 |
| Ⓚ Stepdown from control panel to chassis | 13 |
| Ⓛ Maximum extension of built-in coffee maker | 435 |

Minimum Clearances - Proud Installation

| | mm |
|--|-----|
| Minimum inside cavity height from bottom of chassis* | 450 |
| Minimum inside width of cavity** | 560 |
| Minimum inside depth of cavity | 545 |
| Rear ventilation depth*** | 50 |
| Rear ventilation width*** | 560 |
| Minimum clearance above built-in coffee maker to upper cabinetry front panel or appliance | 2 |
| Minimum clearance between bottom of lower trim to lower cabinetry front panel or appliance | 2 |

*Additional panel of 16mm required at the base of the cavity for under bottom of chassis for standalone installation only

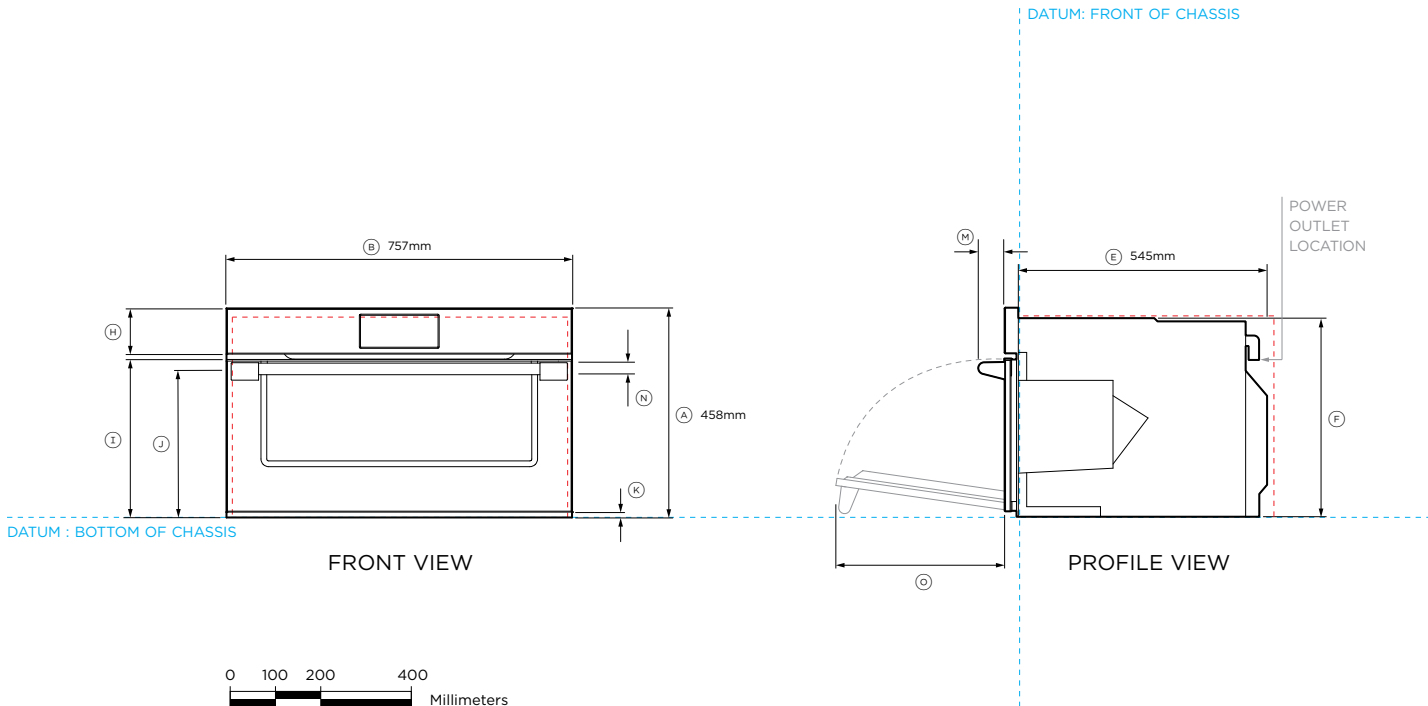
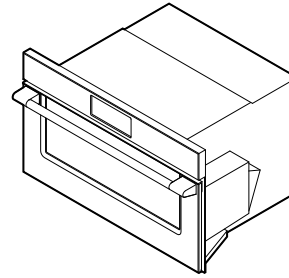
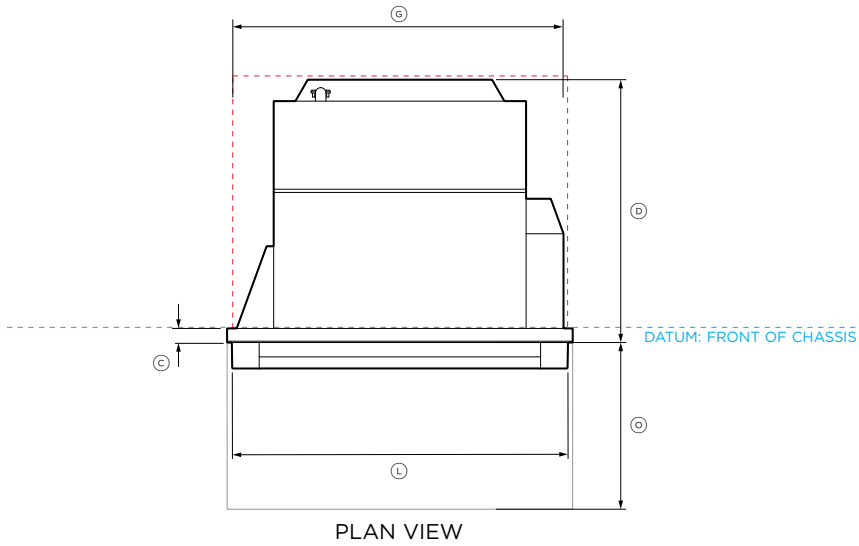
**Additional vertical sidewalls are required to secure the product

***Rear ventilation totalling 280cm² is required. The air vent must be located at the rear of cabinet, it can be positioned at the base, sides, back or top of the cavity.

NOTE: For full installation and clearance details please refer to our installation manual.

INDICATES PRODUCT DATUM -----
 INDICATES CABINETRY CLEARANCES -----

IMPORTANT NOTE: Throughout this guide, dimensions may vary by ±2mm (1/16"). Please read the Installation Guide for detailed information on installing the product. For full installation instructions visit fisherpaykel.com



Model no:

Combination Steam Oven, 76cm - OS76NPTX1

Product Dimensions

| | mm |
|---|-----|
| A Overall height of product | 458 |
| B Overall width of product | 757 |
| C Depth of control panel (excludes handle) | 30 |
| D Depth of chassis and control panel (excludes handle) | 575 |
| E Depth of chassis | 545 |
| F Height of chassis | 435 |
| G Width of chassis | 720 |
| H Height of control panel | 100 |
| I Height from bottom datum to top of oven door | 347 |
| J Height from bottom datum to centerline of handle | 324 |
| K Height from bottom datum to bottom of door | 12 |
| L Width of handle | 737 |
| M Depth of handle | 58 |
| N Thickness of handle | 38 |
| O Depth of door when open (measured from front of door) | 336 |

Minimum Clearances - Proud Installation

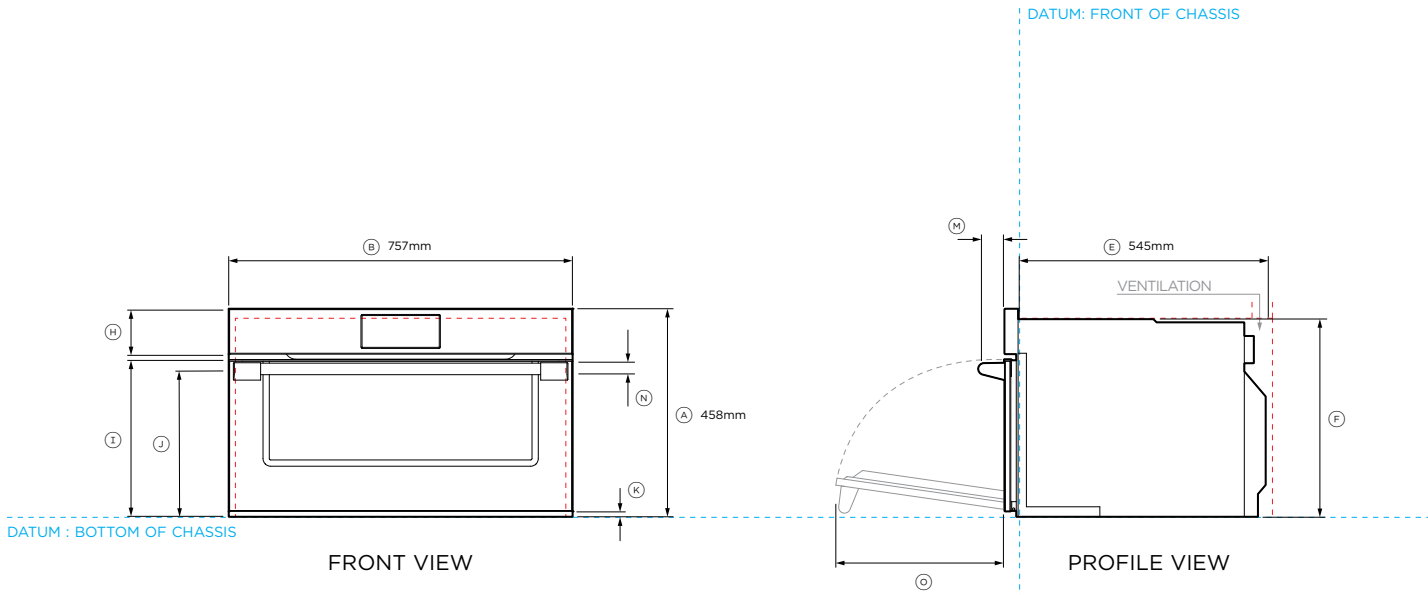
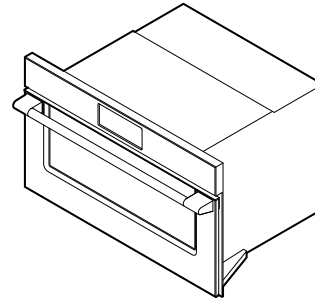
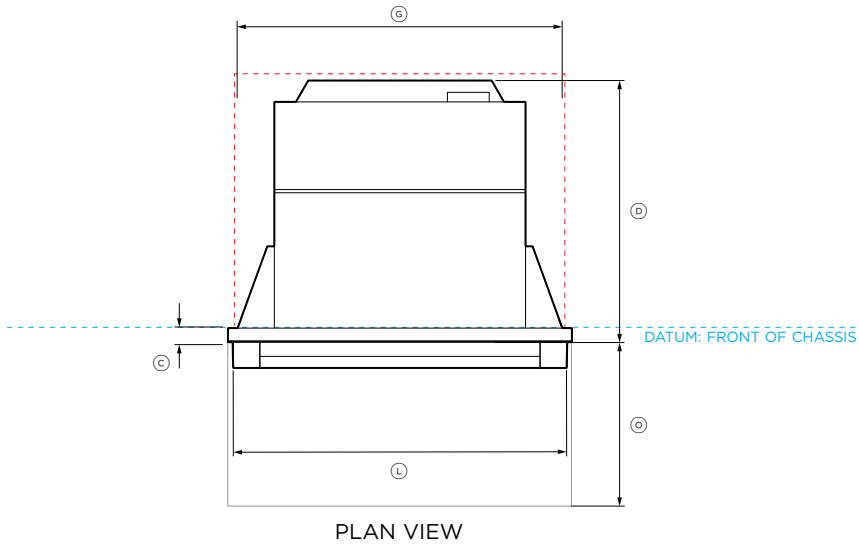
| | mm |
|--|-----|
| Minimum inside height of cavity* | 446 |
| Minimum inside width of cavity | 724 |
| Minimum inside depth of cavity | 550 |
| Minimum clearance above oven control panel to upper cabinetry front panel or appliance | 2 |
| Minimum clearance between bottom of oven chassis to lower cabinetry front panel or appliance | 2 |

*Height includes a 6mm spacer in the base of the cavity (supplied with product)
 Ensure a 5mm minimum clearance is maintained between the top of the oven chassis and the cabinetry. Ensure the oven is not bearing any weight from cabinetry or products installed above.

NOTE: For full installation and clearance details please refer to our installation manual.

INDICATES PRODUCT DATUM -----
 INDICATES CABINERY CLEARANCES - - - - -

IMPORTANT NOTE: Throughout this guide, dimensions may vary by ±2mm (1/16"). Please read the Installation Guide for detailed information on installing the product. For full installation instructions visit fisherpaykel.com



Model no:

Combination Microwave Oven, 76cm - OM76NPTX1

Product Dimensions

| | mm |
|---|-----|
| A Overall height of product | 458 |
| B Overall width of product | 757 |
| C Depth of control panel (excludes handle) | 30 |
| D Depth of chassis and control panel (excludes handle) | 575 |
| E Depth of chassis | 545 |
| F Height of chassis | 435 |
| G Width of chassis | 720 |
| H Height of control panel | 100 |
| I Height from bottom datum to top of oven door | 347 |
| J Height from bottom datum to centerline of handle | 324 |
| K Height from bottom datum to bottom of door | 12 |
| L Width of handle | 737 |
| M Depth of handle | 58 |
| N Thickness of handle | 38 |
| O Depth of door when open (measured from front of door) | 336 |

Minimum Clearances - Proud Installation

| | mm |
|--|-----|
| Minimum inside height of cavity* | 446 |
| Minimum inside width of cavity | 724 |
| Minimum inside depth of cavity | 550 |
| Rear ventilation depth** | 50 |
| Rear ventilation depth** | 560 |
| Minimum clearance above oven control panel to upper cabinetry front panel or appliance | 2 |
| Minimum clearance between bottom of oven chassis to lower cabinetry front panel or appliance | 2 |

*Height includes a 6mm spacer in the base of the cavity (supplied with product)

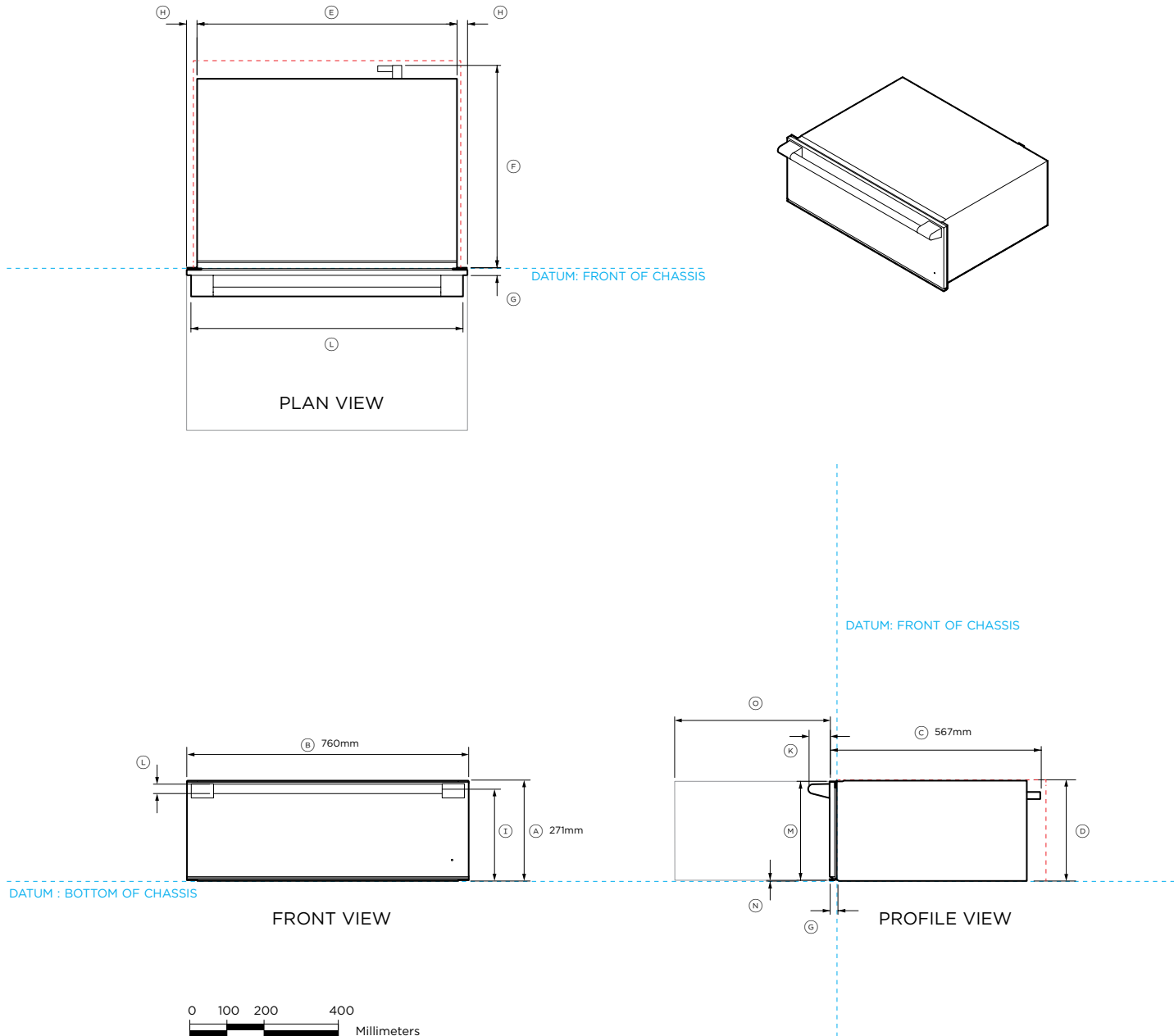
**Rear ventilation totalling 280cm² is required. The air vent must be located at the rear of cabinet, it can be positioned at the base, sides, back or top of the cavity.

Ensure a 5mm minimum clearance is maintained between the top of the oven chassis and the cabinetry. Ensure the oven is not bearing any weight from cabinetry or products installed above.

NOTE: For full installation and clearance details please refer to our installation manual.

INDICATES PRODUCT DATUM
INDICATES CABINERY CLEARANCES

IMPORTANT NOTE: Throughout this guide, dimensions may vary by ±2mm (1/16"). Please read the Installation Guide for detailed information on installing the product. For full installation instructions visit fisherpaykel.com



Model no:

Warming Drawer, 76cm - WB76SPEX1

Product Dimensions

| | mm |
|--|-----------|
| Ⓐ Overall height of product | 271 |
| Ⓑ Overall width of product | 760 |
| Ⓒ Overall depth (incl. front panel & power plug) | 567 |
| Ⓓ Height of chassis | 271 |
| Ⓔ Width of chassis | 707 |
| Ⓕ Depth of chassis (includes power plug) | 547 |
| Ⓖ Depth of drawer front panel and flange | 20 |
| Ⓜ Distance from side of chassis to side of drawer front | 27 |
| Ⓢ Height from bottom of product to centre of handle rail | 249 |
| Ⓣ Width of handle | 736 |
| Ⓚ Depth of handle | 58 |
| Ⓛ Thickness of handle | 25 |
| Ⓜ Height of drawer front panel | 267 |
| Ⓝ Height from bottom of chassis to bottom of front panel | 2 |
| Ⓟ Depth of open drawer (measured from front of drawer panel) | 419 |

Minimum Clearances - Proud Installation

| | mm |
|--|-----------|
| Minimum inside height of cavity | 273 |
| Minimum inside width of cavity | 724 |
| Minimum inside depth of cavity | 560 |
| Minimum clearance above drawer front panel to upper cabinetry front panel or appliance* | 4 |
| Minimum clearance between bottom of drawer chassis to lower cabinetry front panel or appliance | 2 |

*Achieve a smaller gap between drawer front panel to upper cabinetry front panel by dropping cabinetry front panel down

NOTE: For full installation and clearance details please refer to our installation manual.

INDICATES PRODUCT DATUM -----
 INDICATES CABINETRY CLEARANCES - - - - -

IMPORTANT NOTE: Throughout this guide, dimensions may vary by ±2mm (1/16"). Please read the Installation Guide for detailed information on installing the product. For full installation instructions visit fisherpaykel.com

PLANNING CONSIDERATIONS

DIVIDING SHELF

If the appliance front panel is thicker than the cabinetry front panel, adjust the dividing shelf depth to ensure the oven sits flush with the front of the cabinetry.

BLACK CLASHING

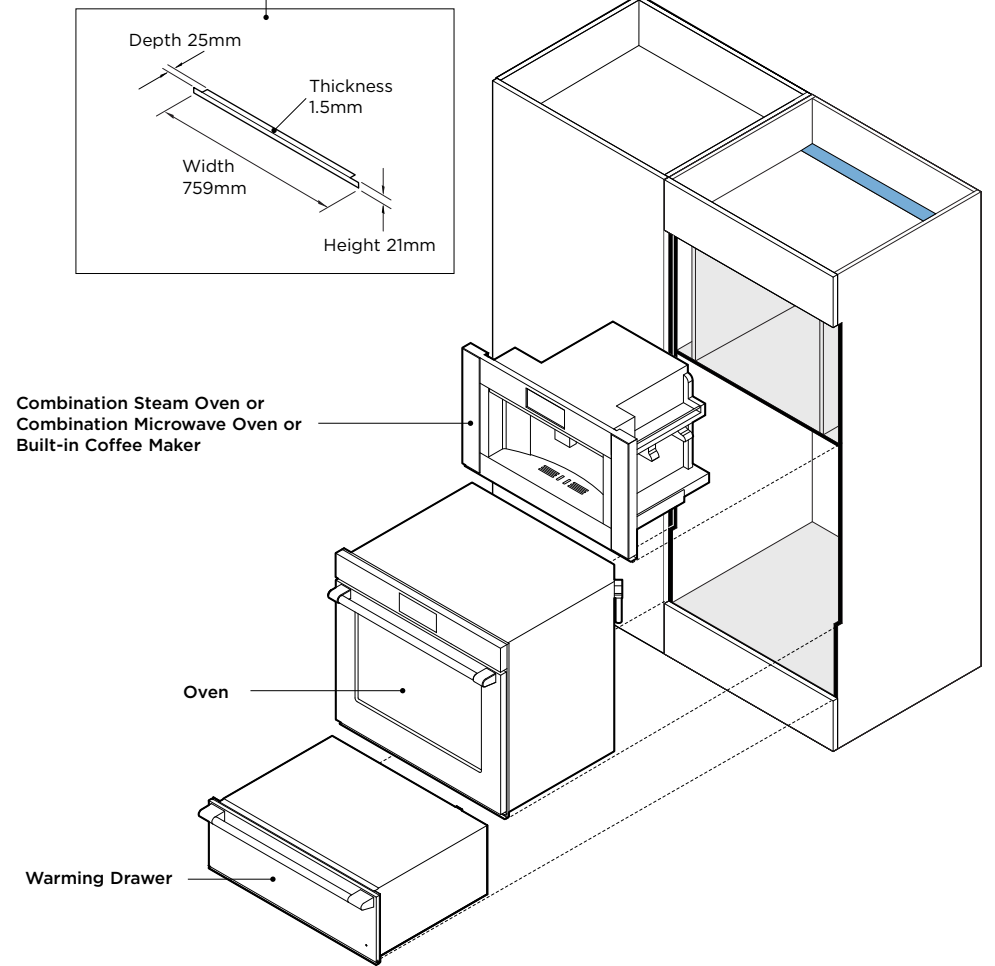
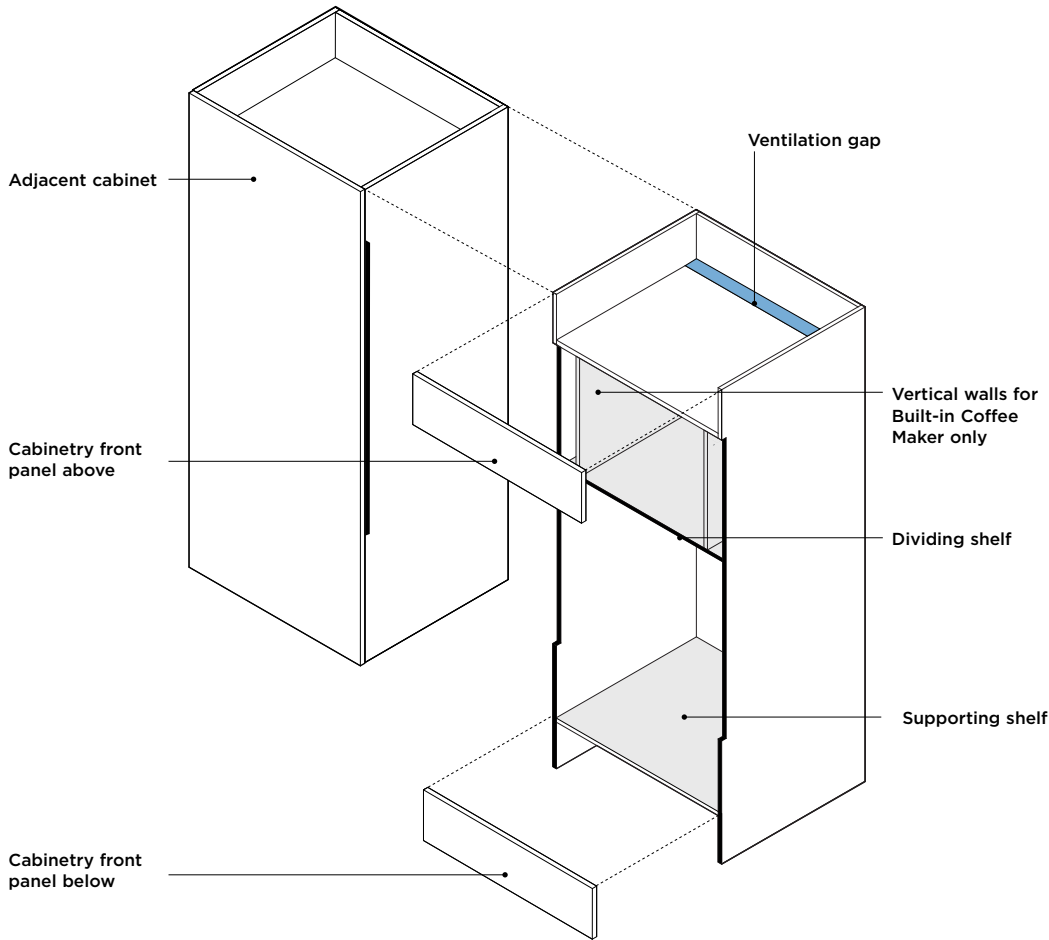
Black clashing is recommended on front facing edges where products are located and on side cabinets if cabinet is rebated.

OVEN CABINETRY TRIM

If using light-colored cabinets, we recommend using black cabinetry trim to help hide the cabinetry beneath the front door panel of the appliance. Ensure the trim height does not interfere with any appliances or cabinetry below. Black cabinetry trim is included with ovens.

LEVEL CABINETRY

Check the shelves are level and the side panels are straight.



The models shown in this Planning Guide may not be available in all markets and are subject to change at any time. Product specifications may vary from those shown. This Planning Guide should not be used as installation guidance for any product. Further information is required to safely and correctly install the products featured here. Specific installation guidance will be available on our website fisherpaykel.com

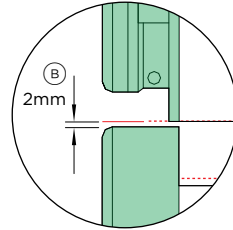
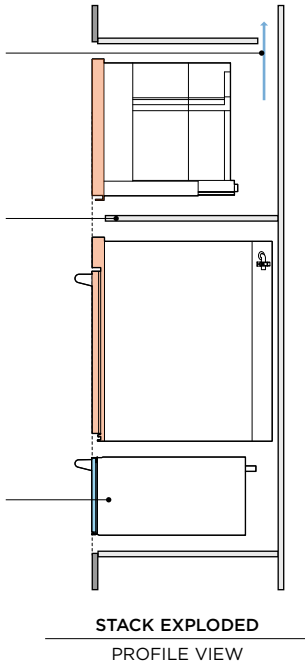
Ventilation air vent is required at rear for some products.

Dividing shelves are required to support stacked appliances and to achieve correct clearance.

Dividing shelves must be constructed from material that will support the weight of the appliances.

Ensure the oven is not bearing any weight from cabinetry or products installed above.

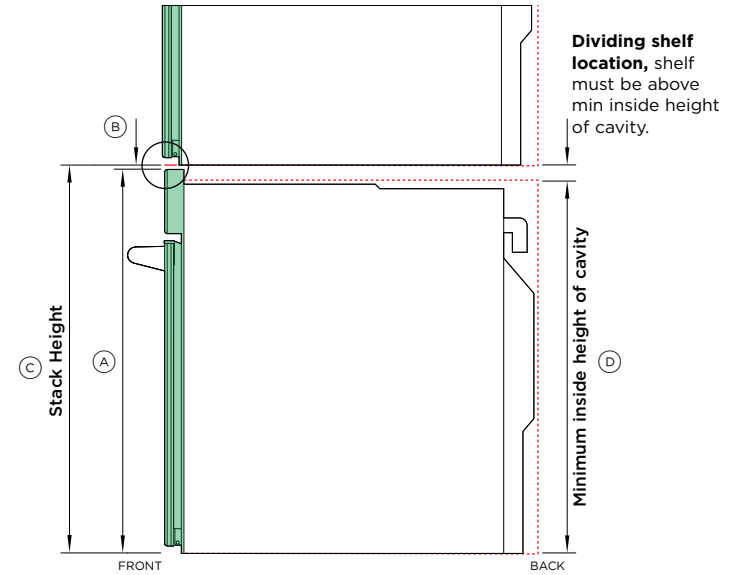
Warming Drawers and Vacuum Seal Drawers can fully support a 76cm Fisher & Paykel oven, without adding a shelf in between.



Minimum clearance above appliance control panel to upper appliance

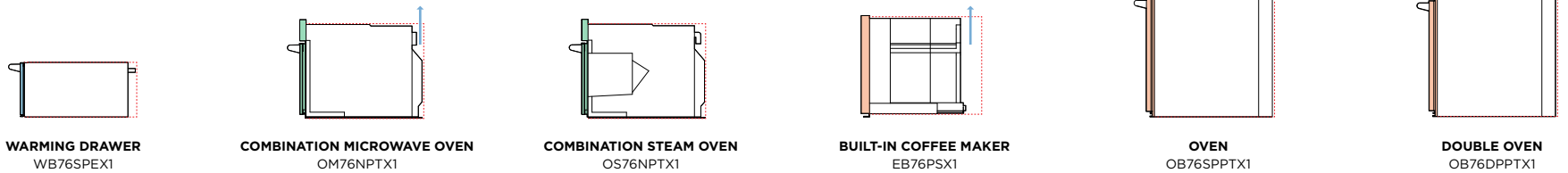
STACK HEIGHT

$$\begin{aligned}
 & \textcircled{A} \text{ Overall product height} \\
 & + \\
 & \textcircled{B} \text{ Minimum clearance above appliance control panel or} \\
 & \text{front panel to upper appliance} \\
 & = \\
 & \textcircled{C} \text{ Stacked Height}
 \end{aligned}$$



PRODUCT PROFILE VIEW

MINIMUM DIMENSION CLEARANCES



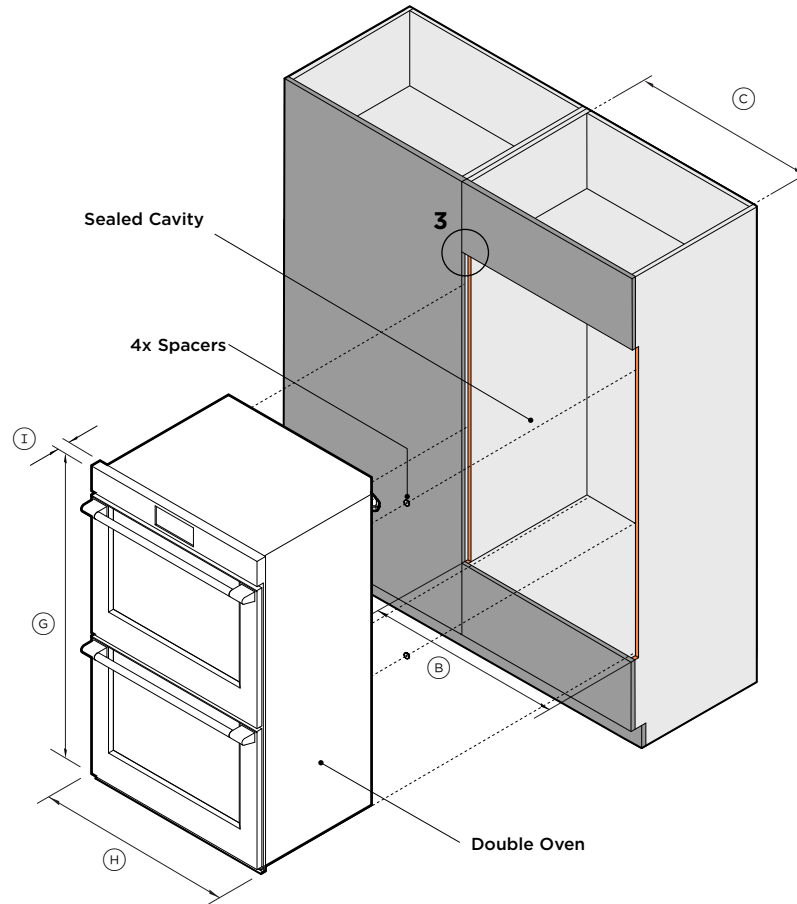
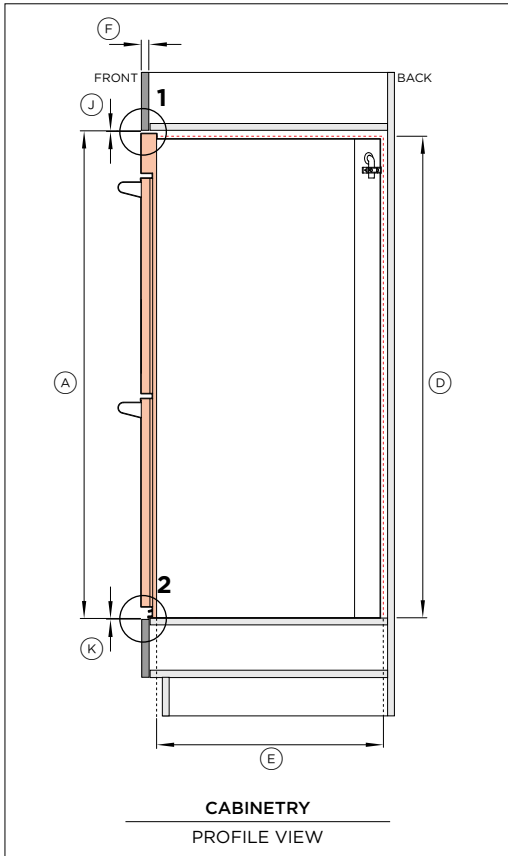
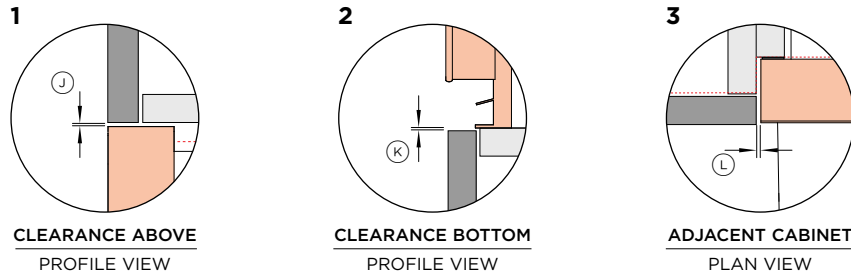
| DIMENSIONS | WARMING DRAWER WB76SPEX1 | COMBINATION MICROWAVE OVEN OM76NPTX1 | COMBINATION STEAM OVEN OS76NPTX1 | BUILT-IN COFFEE MAKER EB76PSX1 | OVEN OB76SPPTX1 | DOUBLE OVEN OB76DPPTX1 |
|-----------------------------------|-----------------------------|---|-------------------------------------|-----------------------------------|--------------------|---------------------------|
| Ⓐ Overall product height | 271mm | 464mm** | 464mm** | 470mm | 690mm | 1232mm |
| Ⓑ Minimum clearance above | - | - | 2mm | 2mm | 2mm | 2mm |
| Ⓒ Stack height | 271mm* | 448mm | 448mm | 472mm | 692mm | 1234mm |
| Ⓓ Minimum inside height of cavity | 271mm | 446mm** | 446mm** | 450mm from bottom of chassis | 681mm | 1224mm |

*Drawers can fully support 76cm Fisher & Paykel wall oven, without adding shelf in between

**Height includes a 6mm spacer in the base of the cavity (supplied with product)

NOTE: Stack height is overall product height with minimum clearance above appliance control panel or front panel to upper appliance.

The models shown in this Planning Guide may not be available in all markets and are subject to change at any time. Product specifications may vary from those shown. This Planning Guide should not be used as installation guidance for any product. Further information is required to safely and correctly install the products featured here. Specific installation guidance will be available on our website fisherpaykel.com



Model no:
Double Oven, 76cm - OB76DPPTX1

| Cabinetry Dimensions - Flush Installation | | mm |
|--|---|-----------|
| Ⓐ | Overall cabinet height | 1234 |
| Ⓑ | Overall cabinet width - single installation | 764 |
| Ⓒ | Minimum inside width of cavity | 724 |
| Ⓓ | Minimum inside height of cavity | 1224 |
| Ⓔ | Minimum inside depth of cavity | 575 |
| Ⓕ | Thickness of cabinetry front panel** | 16-20 |

*Overall cabinet height is overall product height with minimum clearance above oven control panel to upper cabinetry front panel.
**Cabinetry shown in drawings 19mm panels.

Note: Oven requires 1/16" (2mm) spacers for screws (supplied x 4).

| Product Dimensions | | mm |
|---------------------------|----------------------------------|-----------|
| Ⓖ | Overall height of product | 1232 |
| Ⓗ | Overall width of product | 757 |
| Ⓘ | Thickness of oven control panel* | 40 |

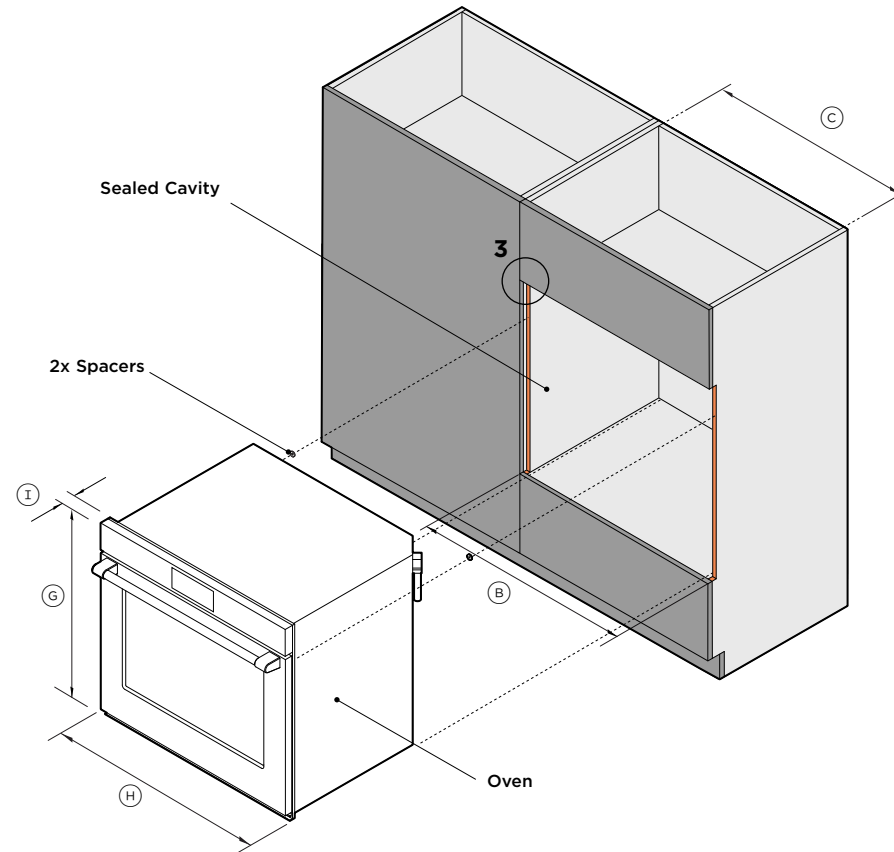
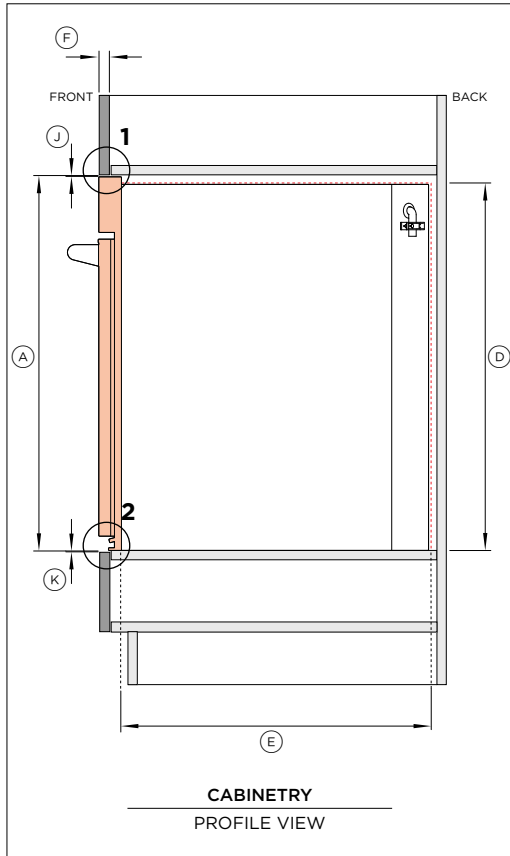
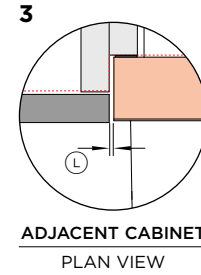
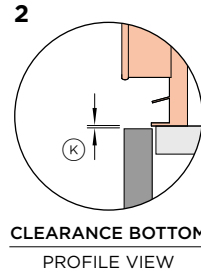
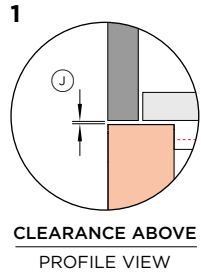
*If the oven control panel is thicker than 20mm, adjust the panel above and below to ensure the oven sits flush with the front of the cabinetry.

| Cabinetry Clearances | | mm |
|-----------------------------|---|-----------|
| Ⓣ | Minimum clearance above oven control panel to upper cabinetry front panel | 2 |
| Ⓚ | Minimum clearance between bottom of oven chassis to lower cabinetry front panel | 2 |
| Ⓛ | Minimum clearance between adjacent front panel or appliance | 3 |

The models shown in this Planning Guide may not be available in all markets and are subject to change at any time. Product specifications may vary from those shown. This Planning Guide should not be used as installation guidance for any product. Further information is required to safely and correctly install the products featured here. Specific installation guidance will be available on our website fisherpaykel.com

COOKTOP CLEARANCE

If installing a cooktop above the oven, ensure adequate clearance is provided for the cooktop as per the cooktop manufacturer's instructions.



Model no:
Oven, 76cm - OB76SPPTX1

| Cabinetry Dimensions - Flush Installation | | mm |
|--|---|-----------|
| Ⓐ | Overall cabinet height | 692 |
| Ⓑ | Overall cabinet width - single installation | 764 |
| Ⓒ | Minimum inside width of cavity | 724 |
| Ⓓ | Minimum inside height of cavity | 681 |
| Ⓔ | Minimum inside depth of cavity | 575 |
| Ⓕ | Thickness of cabinetry front panel** | 16-20 |

*Overall cabinet height is overall product height with minimum clearance above oven control panel to upper cabinetry front panel.
**Cabinetry shown in drawings 19mm panels.

Note: Oven requires 2mm spacers for screws (supplied x 2).

| Product Dimensions | | mm |
|---------------------------|----------------------------------|-----------|
| Ⓖ | Overall height of product | 690 |
| Ⓗ | Overall width of product | 757 |
| Ⓘ | Thickness of oven control panel* | 40 |

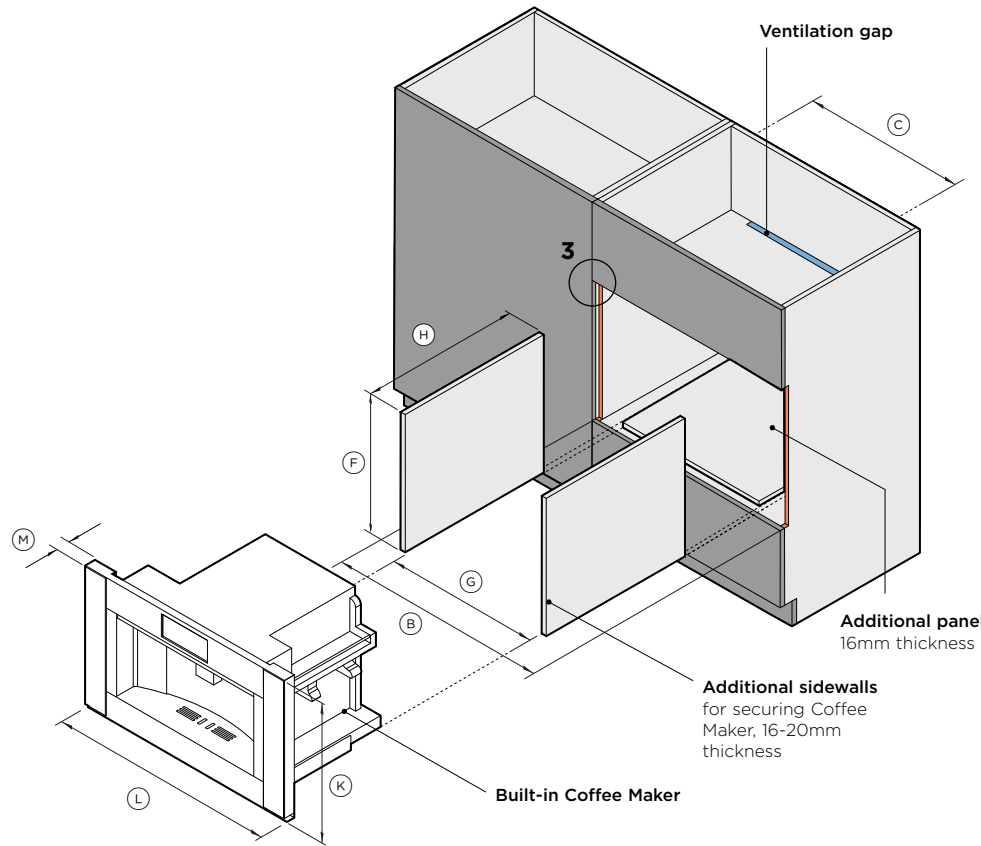
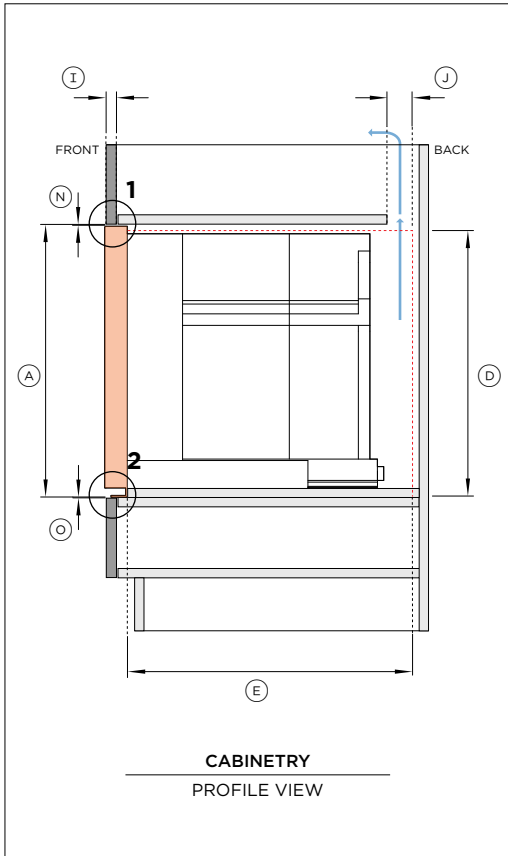
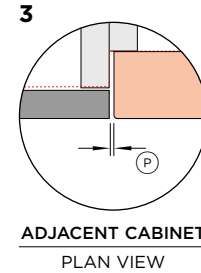
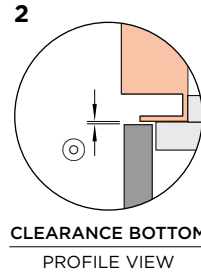
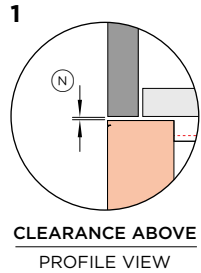
*If the oven control panel is thicker than 20mm, adjust the panel above and below to ensure the oven sits flush with the front of the cabinetry.

| Cabinetry Clearances | | mm |
|-----------------------------|---|-----------|
| Ⓙ | Minimum clearance above oven control panel to upper cabinetry front panel | 2 |
| Ⓚ | Minimum clearance between bottom of oven chassis to lower cabinetry front panel | 2 |
| Ⓛ | Minimum clearance between adjacent front panel or appliance | 3 |

The models shown in this Planning Guide may not be available in all markets and are subject to change at any time. Product specifications may vary from those shown. This Planning Guide should not be used as installation guidance for any product. Further information is required to safely and correctly install the products featured here. Specific installation guidance will be available on our website fisherpaykel.com

VENTILATION

Ventilation of 50mm x 560mm or totalling 280cm² is required. The air vent must be located at the rear of cabinet, it can be positioned at the base, top, sides, or back.



Model no:
Built-in Coffee Maker, 76cm - EB76PSX1

| Cabinetry Dimensions - Flush Installation | | mm |
|--|---|-----------|
| Ⓐ | Overall cabinet height* | 473 |
| Ⓑ | Overall cabinet width - single installation | 764 |
| Ⓒ | Minimum inside width of cavity | 560 |
| Ⓓ | Minimum inside height of cavity* | 466 |
| Ⓔ | Minimum inside depth of cavity | 585 |
| Ⓕ | Minimum height of additional side walls | 466 |
| Ⓖ | Width between additional side walls | 560 |
| Ⓗ | Minimum depth of additional side walls | 570 |
| Ⓘ | Thickness of cabinetry front panel** | 16-20 |
| Ⓛ | Ventilation gap*** | 50 |

*Includes height for a 16mm additional panel at base of cavity
**Cabinetry shown in drawings 19mm panels.
***A rear ventilation air vent totalling 280cm² is required. The air vent must be located at the rear of the cabinet, it can be positioned at the base, sides, back or top of the cavity.

Note: Overall cabinet height is overall product height with minimum clearance above coffee maker control panel to upper cabinetry front panel.

| Product Dimensions | | mm |
|---------------------------|---|-----------|
| Ⓚ | Overall height of product | 470 |
| Ⓛ | Overall width of product | 757 |
| Ⓜ | Thickness of built-in coffee maker front panel* | 40 |

*If the oven control panel is thicker than 20mm, adjust the panel above and below to ensure the oven sits flush with the front of the cabinetry.

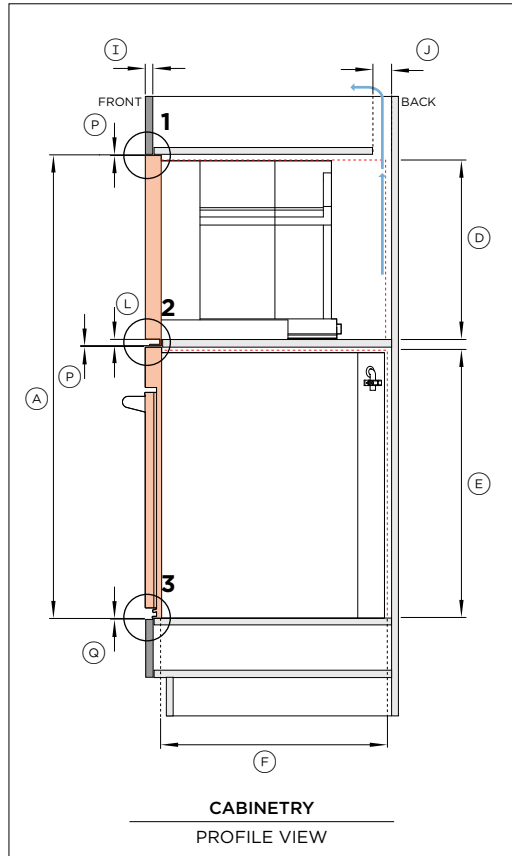
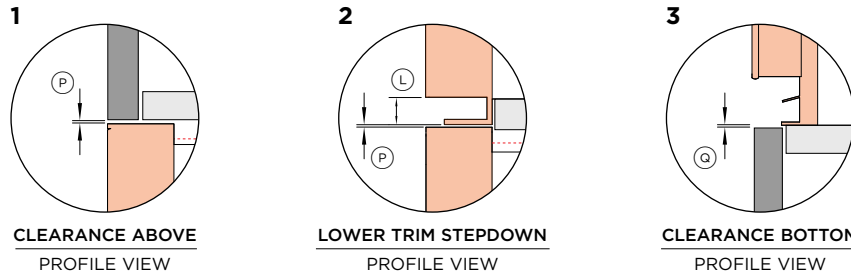
| Cabinetry Clearances | | mm |
|-----------------------------|--|-----------|
| Ⓝ | Minimum clearance above built-in coffee maker front panel to upper cabinetry front panel | 2 |
| Ⓒ | Minimum clearance between bottom of built-in coffee maker to lower cabinetry front panel | 2 |
| Ⓓ | Minimum clearance between adjacent front panel or appliance | 3 |

The models shown in this Planning Guide may not be available in all markets and are subject to change at any time. Product specifications may vary from those shown. This Planning Guide should not be used as installation guidance for any product. Further information is required to safely and correctly install the products featured here. Specific installation guidance will be available on our website fisherpaykel.com

ADDITIONAL PANEL

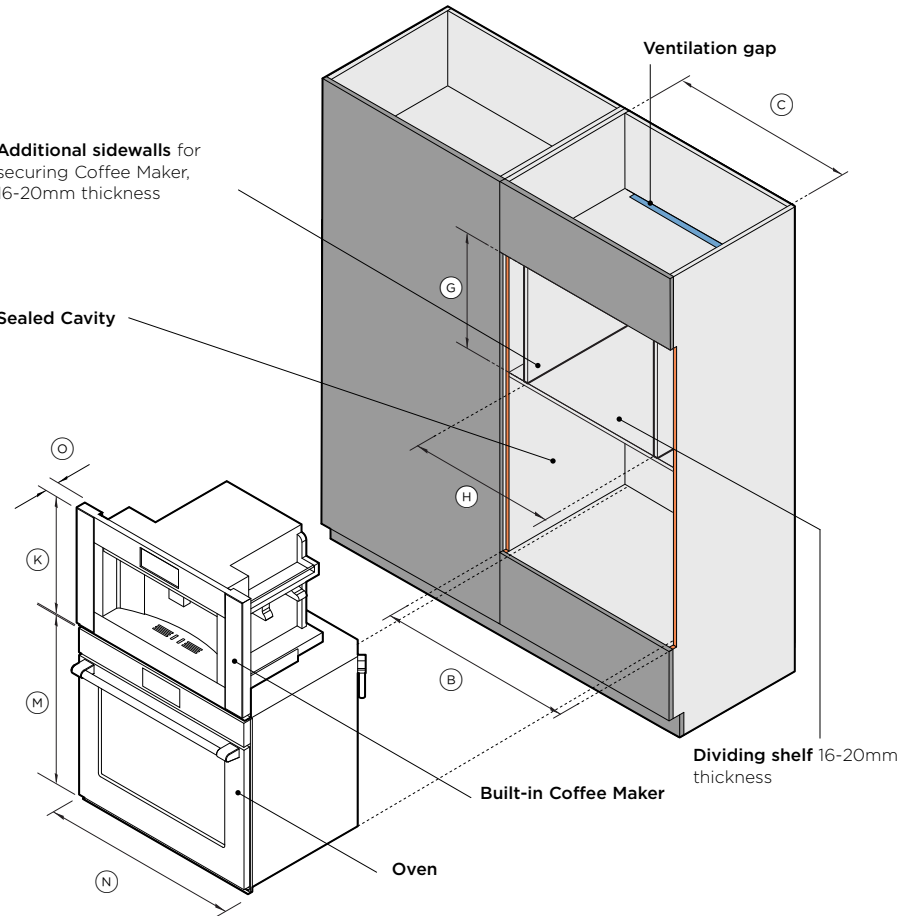
Standalone installation requires additional panel of 16mm under the coffee maker chassis.

No additional panel required for stacked installation.



Additional sidewalls for securing Coffee Maker, 16-20mm thickness

Sealed Cavity



Model no:
Built-in Coffee Maker, 76cm - EB76PSX1
Oven, 76cm - OB76SPPTX1

| Cabinetry Dimensions - Flush Installation | mm |
|--|-------|
| Ⓐ Stack height | 1164 |
| Ⓔ Overall cabinet width | 764 |
| Ⓒ Minimum inside width of cavity | 724 |
| Ⓓ Minimum inside height of built-in coffee maker cavity (excludes lower trim stepdown) | 450 |
| Ⓔ Minimum inside height of oven cavity | 681 |
| Ⓕ Minimum inside depth of cavity and additional side walls | 575 |
| Ⓒ Minimum height of additional side walls | 470 |
| Ⓜ Width between additional side walls | 560 |
| Ⓛ Thickness of cabinetry front panel* | 16-20 |
| Ⓚ Ventilation gap** | 50 |

*Cabinetry shown in drawings 19mm panels.
**A rear ventilation air vent totalling 280cm² is required. The air vent must be located at the rear of the cabinet, it can be positioned at the base, sides, back or top of the cavity.

Note: Stack height is overall product height with minimum clearance above appliance control panel or front panel to upper appliance.

| Product Dimensions | mm |
|--|-----|
| Ⓐ Overall height of built-in coffee maker (including lower trim) | 470 |
| Ⓛ Height from bottom of chassis to bottom of lower trim | 15 |
| Ⓜ Overall height of oven | 690 |
| Ⓜ Overall width of products | 757 |
| Ⓒ Thickness of products* | 40 |

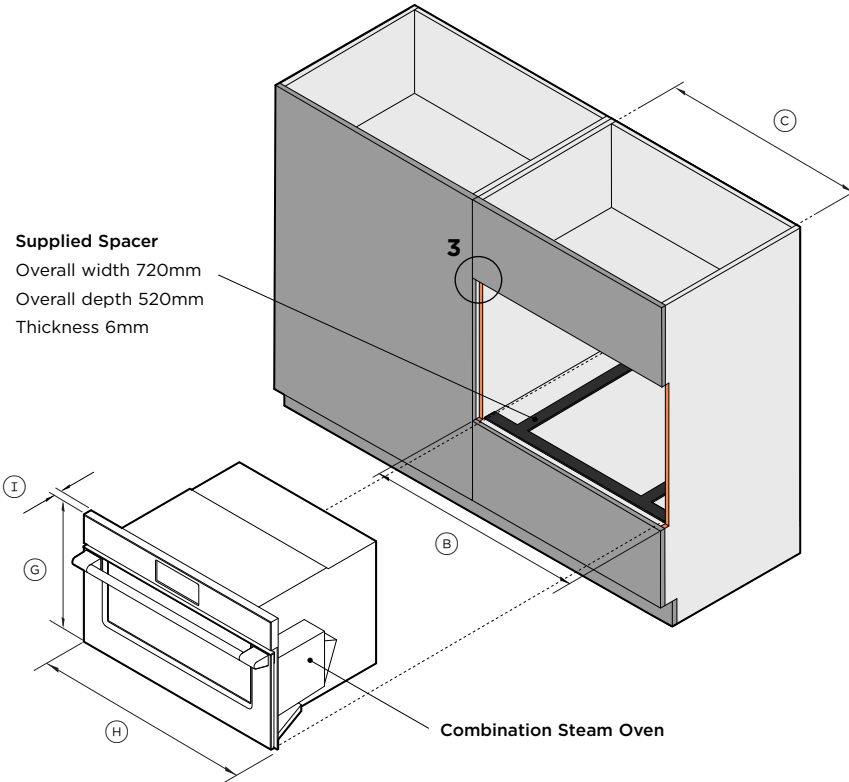
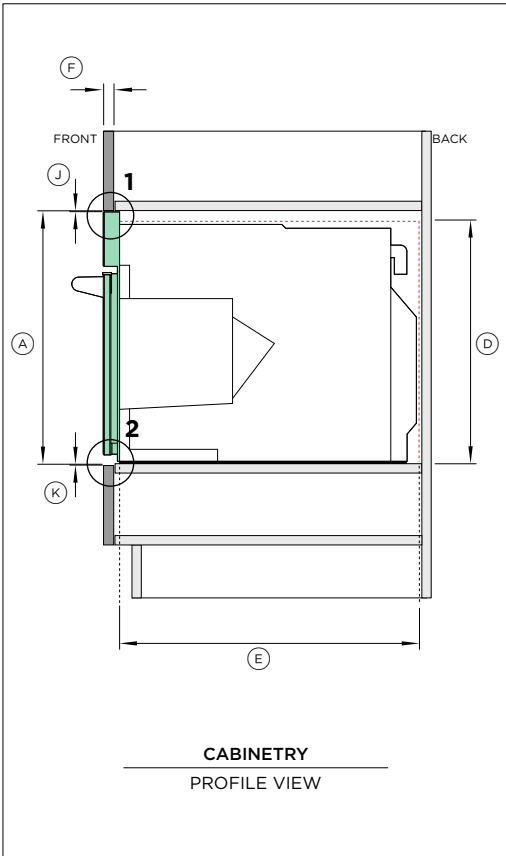
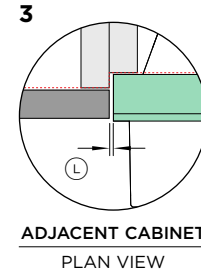
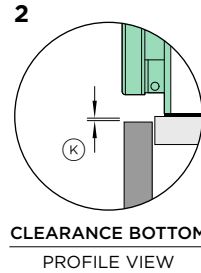
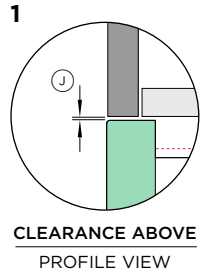
*If the oven control panel is thicker than 20mm, adjust the panel above and below to ensure the oven sits flush with the front of the cabinetry.

| Cabinetry Clearances | mm |
|---|----|
| Ⓒ Minimum clearance above appliance front panel to upper cabinetry front panel or appliance | 2 |
| Ⓒ Minimum clearance between bottom of appliance to lower cabinetry front panel | 2 |
| Minimum clearance between adjacent front panel or appliance | 3 |

The models shown in this Planning Guide may not be available in all markets and are subject to change at any time. Product specifications may vary from those shown. This Planning Guide should not be used as installation guidance for any product. Further information is required to safely and correctly install the products featured here. Specific installation guidance will be available on our website fisherpaykel.com

COOKTOP CLEARANCE

If installing a cooktop above the oven, ensure adequate clearance is provided for the cooktop as per the cooktop manufacturer's instructions.



Model no:

Combination Steam Oven, 76cm - OS76NPTX1

| Cabinetry Dimensions - Flush Installation | | mm |
|--|---|-----------|
| Ⓐ | Overall cabinet height* | 466 |
| Ⓑ | Overall cabinet width - single installation | 764 |
| Ⓒ | Minimum inside width of cavity | 724 |
| Ⓓ | Minimum inside height of cavity* | 446 |
| Ⓔ | Minimum inside depth of cavity | 580 |
| Ⓕ | Thickness of cabinetry front panel** | 16-20 |

Note: Overall cabinet height is overall product height with minimum clearance above oven control panel to upper cabinetry front panel.
*Height includes a 6mm spacer in the base of the cavity (supplied with product).
**Cabinetry shown in drawings 19mm panels.

Note: Consider placement of shelf above minimum inside height of cavity.

| Product Dimensions | | mm |
|---------------------------|--------------------------------|-----------|
| Ⓖ | Overall height of product | 458 |
| Ⓗ | Overall width of product | 757 |
| Ⓘ | Thickness of oven front panel* | 30 |

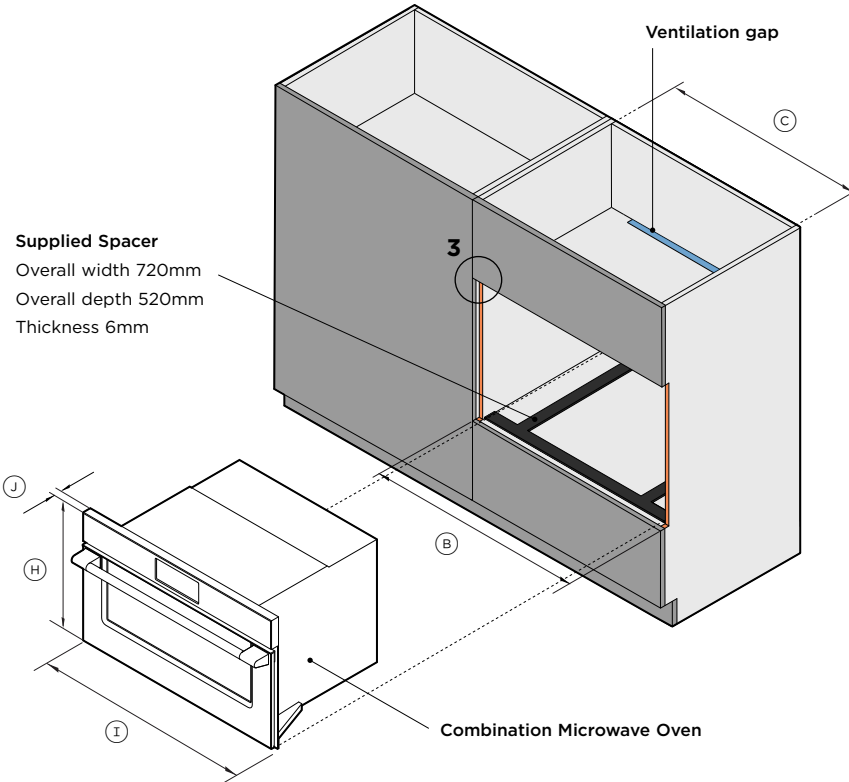
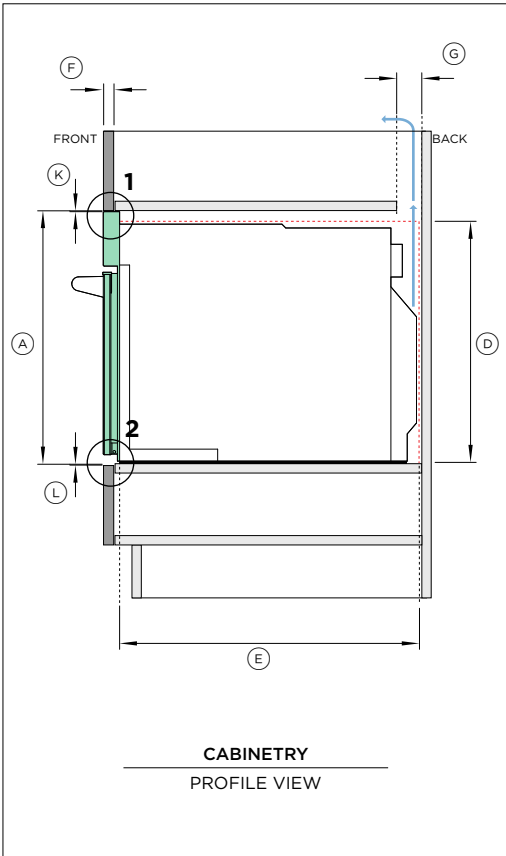
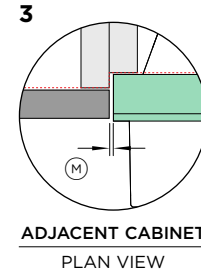
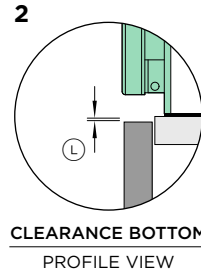
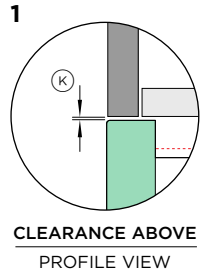
*If the oven control panel is thicker than 20mm, adjust the panel above and below to ensure the oven sits flush with the front of the cabinetry.

| Cabinetry Clearances | | mm |
|-----------------------------|--|-----------|
| Ⓙ | Minimum clearance above oven control panel to upper cabinetry front panel | 2 |
| Ⓚ | Minimum clearance between bottom of oven spacer to lower cabinetry front panel | 2 |
| Ⓛ | Minimum clearance between adjacent front panel or appliance | 3 |

The models shown in this Planning Guide may not be available in all markets and are subject to change at any time. Product specifications may vary from those shown. This Planning Guide should not be used as installation guidance for any product. Further information is required to safely and correctly install the products featured here. Specific installation guidance will be available on our website fisherpaykel.com

COOKTOP CLEARANCE

If installing a cooktop above the oven, ensure adequate clearance is provided for the cooktop as per the cooktop manufacturer's instructions.



Model no:

Combination Microwave Oven, 76cm - OM76NPTX1

| Cabinetry Dimensions - Flush Installation | | mm |
|--|---|-----------|
| Ⓐ | Overall cabinet height* | 466 |
| Ⓑ | Overall cabinet width - single installation | 764 |
| Ⓒ | Minimum inside width of cavity | 724 |
| Ⓓ | Minimum inside height of cavity* | 446 |
| Ⓔ | Minimum inside depth of cavity | 580 |
| Ⓕ | Thickness of cabinetry front panel** | 16-20 |
| Ⓖ | Ventilation gap*** | 50 |

Note: Overall cabinet height is overall product height with minimum clearance above oven control panel to upper cabinetry front panel.
*Height includes a 6mm spacer in the base of the cavity (supplied with product).
**Cabinetry shown in drawings 19mm panels.
***A rear ventilation air vent totalling 280cm² is required. The air vent must be located at the rear of the cabinet, it can be positioned at the base, sides, back or top of the cavity.

Note: Consider placement of shelf above minimum inside height of cavity.

| Product Dimensions | | mm |
|---------------------------|--------------------------------|-----------|
| Ⓜ | Overall height of product | 458 |
| Ⓝ | Overall width of product | 757 |
| Ⓣ | Thickness of oven front panel* | 30 |

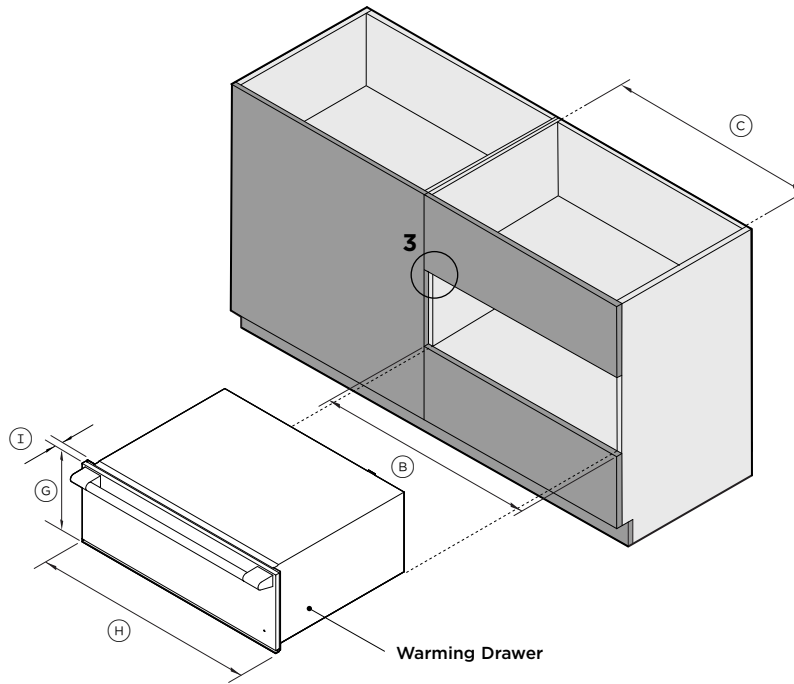
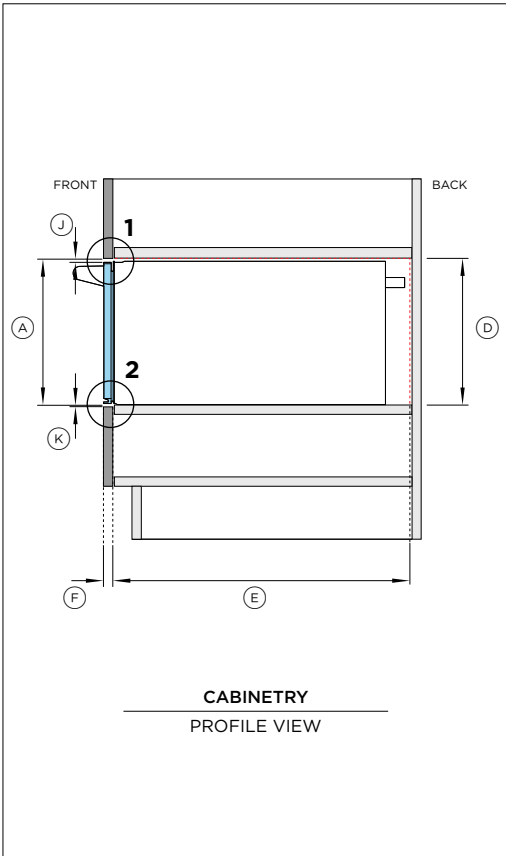
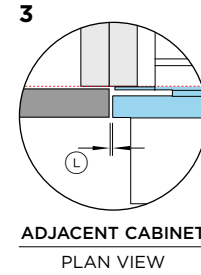
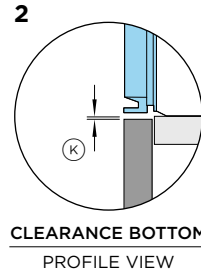
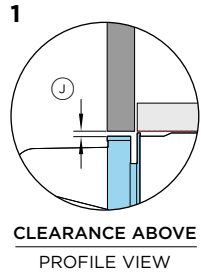
*If the oven control panel is thicker than 20mm, adjust the panel above and below to ensure the oven sits flush with the front of the cabinetry.

| Cabinetry Clearances | | mm |
|-----------------------------|--|-----------|
| Ⓧ | Minimum clearance above oven control panel to upper cabinetry front panel | 2 |
| Ⓛ | Minimum clearance between bottom of oven spacer to lower cabinetry front panel | 2 |
| Ⓝ | Minimum clearance between adjacent front panel or appliance | 3 |

The models shown in this Planning Guide may not be available in all markets and are subject to change at any time. Product specifications may vary from those shown. This Planning Guide should not be used as installation guidance for any product. Further information is required to safely and correctly install the products featured here. Specific installation guidance will be available on our website fisherpaykel.com

NOTE

The Warming Drawer can fully support a 76cm Fisher & Paykel oven, without adding a shelf in between.



Model no:
Warming Drawer, 76cm - WB76SPEX1

| Cabinetry Dimensions - Flush Installation | | mm |
|--|---|-----------|
| A | Overall cabinet height* | 275 |
| B | Overall cabinet width - single installation | 764 |
| C | Minimum inside width of cavity | 724 |
| D | Minimum inside height of cavity | 273 |
| E | Minimum inside depth of cavity | 580 |
| F | Thickness of cabinetry front panel** | 16-20 |

*Overall cabinet height is overall product height with minimum clearance above drawer front panel to upper cabinetry front panel.
**Cabinetry shown in drawings 19mm panels.

Note: Consider placement of shelf above minimum inside height of cavity.

| Product Dimensions | | mm |
|---------------------------|--|-----------|
| G | Overall height of product | 271 |
| H | Overall width of product | 760 |
| I | Thickness of warming drawer front panel and flange | 20 |

| Cabinetry Clearances | | mm |
|-----------------------------|---|-----------|
| J | Minimum clearance above drawer front panel to upper cabinetry front panel* | 4 |
| K | Minimum clearance between bottom of drawer chassis to lower cabinetry front panel | 2 |
| L | Minimum clearance between adjacent front panel or appliance | 2 |

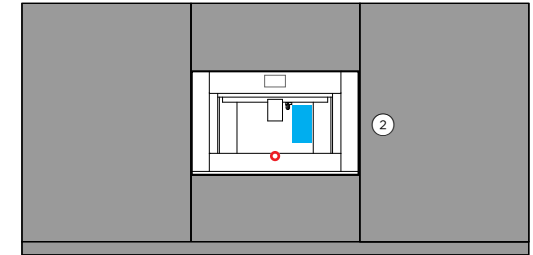
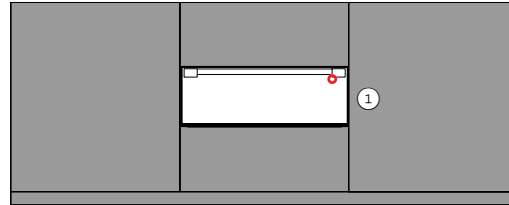
*Achieve a smaller gap between drawer front panel to upper cabinetry front panel by dropping cabinetry front panel down

The models shown in this Planning Guide may not be available in all markets and are subject to change at any time. Product specifications may vary from those shown. This Planning Guide should not be used as installation guidance for any product. Further information is required to safely and correctly install the products featured here. Specific installation guidance will be available on our website fisherpaykel.com

SERVICES

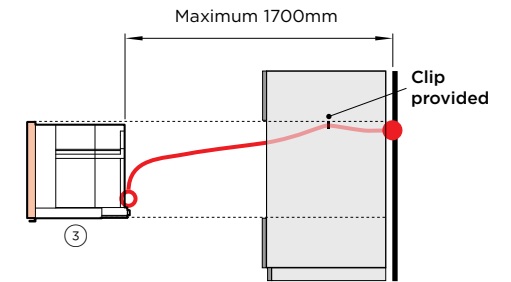
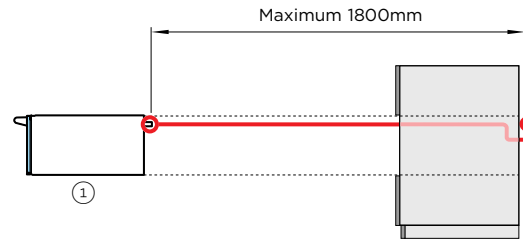
CONNECTION



Connections may be located in an adjacent cabinet to either side of the appliance. Ensure power will remain accessible following install to allow access for any future product maintenance.



BUILT-IN COFFEE MAKER

The power cable must be long enough to allow the appliance to be extracted from the cabinet to fill the coffee bean container. Fix the power cable with the clip.



-  Power Cable
-  Water Tank

① **WARMING DRAWER**
WB76SPEX1

② **BUILT-IN COFFEE MAKER**
EB76PSX1

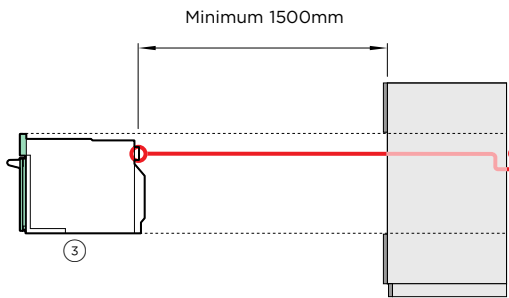
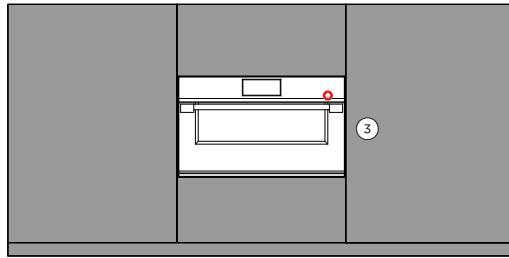
| POWER CORD | | | |
|-----------------------------|--|------------------|-----------------------|
| Maximum power cord length | | 1800mm* | 1700mm* |
| Location | | Upper right | Lower centered |
| Connection | | Flex cord | Flex cord |
| *Measured from power outlet | | | |
| WATER | | | |
| Total Capacity | | - | 2.4L |
| Location | | - | Water tank (internal) |
| ELECTRICAL | | | |
| Supply | | 220-240 V, 50 Hz | 220-240 V, 50 Hz |
| Service | | 10 A | 10 A |

Note: Multiple product installation requires the design of power outlets according to local regulations.

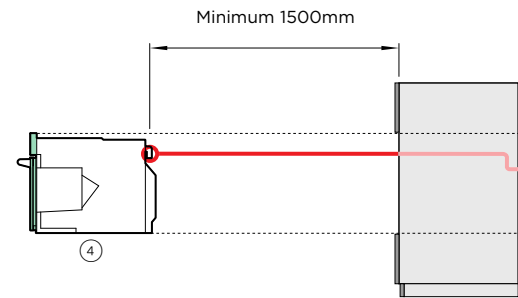
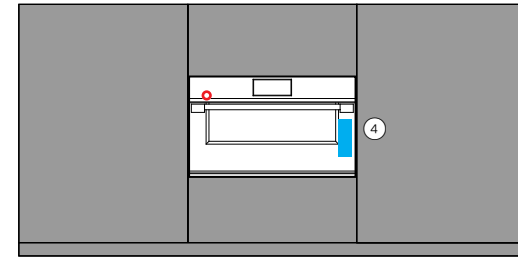
The models shown in this Planning Guide may not be available in all markets and are subject to change at any time. Product specifications may vary from those shown. This Planning Guide should not be used as installation guidance for any product. Further information is required to safely and correctly install the products featured here. Specific installation guidance will be available on our website fisherpaykel.com

SERVICES | POWER CORD LENGTH AND LOCATION

OM76NPTX1, OS76NPTX1



③ COMBINATION MICROWAVE OVEN
OM76NPTX1



④ COMBINATION STEAM OVEN
OS76NPTX1

- Power Cable
- Water Tank

POWER CORD

| | |
|------------------------|-----------------|
| Power cord free length | Minimum 1500mm* |
| Location | Upper right |
| Connection | Hard wire** |

*The electrician provides sufficient free length of power supply cable to reach from the bottom rear of the cavity to at least 1500mm in front of the bottom edge of the opening
 **For more information, refer to the Installation Guide. Ensure power will remain accessible following install to allow access for any future product maintenance.

WATER

| | |
|----------------|---|
| Total Capacity | - |
| Location | - |

ELECTRICAL

| | |
|---------|------------------|
| Supply | 220-240 V, 50 Hz |
| Service | 20 A |

Note: Multiple product installation requires the design of power outlets according to local regulations.

Minimum 1500mm*

Upper left

Hard wire**

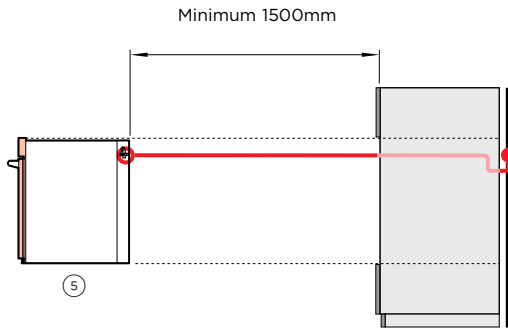
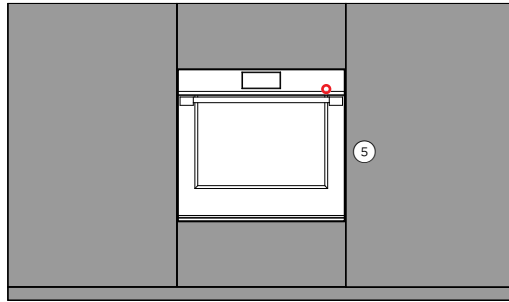
1.4L

Water tank (internal)

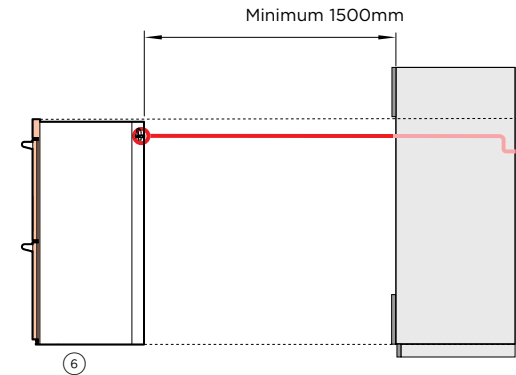
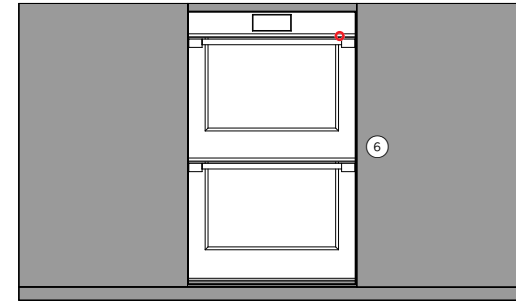
220-240 V, 50 Hz

20 A

The models shown in this Planning Guide may not be available in all markets and are subject to change at any time. Product specifications may vary from those shown. This Planning Guide should not be used as installation guidance for any product. Further information is required to safely and correctly install the products featured here. Specific installation guidance will be available on our website fisherpaykel.com



5 OVEN
OB76SPPTX1



6 DOUBLE OVEN
OB76DPPTX1

Power Cable

POWER CORD

| | | |
|------------------------|-----------------|-----------------|
| Power cord free length | Minimum 1500mm* | Minimum 1500mm* |
| Location | Upper right | Upper right |
| Connection | Hard wire** | Hard wire** |

*The electrician provides sufficient free length of power supply cable to reach from the bottom rear of the cavity to at least 1500mm in front of the bottom edge of the opening

**For more information, refer to the Installation Guide. Ensure power will remain accessible following install to allow access for any future product maintenance.

WATER

| | | |
|----------------|---|---|
| Total Capacity | - | - |
| Location | - | - |

ELECTRICAL

| | | |
|---------|------------------|------------------|
| Supply | 220-240 V, 50 Hz | 220-240 V, 50 Hz |
| Service | 20 A | 40 A |

Note: Multiple product installation requires the design of power outlets according to local regulations.

The models shown in this Planning Guide may not be available in all markets and are subject to change at any time. Product specifications may vary from those shown. This Planning Guide should not be used as installation guidance for any product. Further information is required to safely and correctly install the products featured here. Specific installation guidance will be available on our website fisherpaykel.com

