

INTEGRATED TALL SINGLE DISHDRAWER™

PLANNING GUIDE

SERIES 9 | DD60ST19 | DD60SHT19 | DD60SI9 | DD60SHI9

INTRODUCTION

This comprehensive planning guide provides you with the framework and tools to achieve your desired design outcome with Fisher & Paykel appliances. In this guide, you will find a range of conceptual, detailed, and dimensional product information to bring your ideas to life and create spaces that truly reflect your vision.

SUPPORT

For additional design planning and installation support please contact the Fisher & Paykel design support team.
designsupport@fisherpaykel.com

NOTES

The models shown in this Planning Guide may not be available in all markets and are subject to change at any time. Refer to our website fisherpaykel.com for the latest document version. Product specifications may vary from those shown. This Planning Guide should not be used as installation guidance for any product. Specific installation guidance will be available with the product on delivery and on our website.

CONTENTS

CONCEPT DESIGN	PAGE
Design choices	
Single drawer	4
Specification guide	
DD60STI9, DD60SHTI9	6

DEVELOPED AND DETAILED DESIGN	PAGE
Data sheets	
DD60STI9, DD60SHTI9 Custom door panel	8
DD60STI9, DD60SHTI9 Stainless steel door panel	9
DD60STI9, DD60SHTI9 Recessed handle door panel	10
DD60SI9, DD60SHI9 Custom drawer panel	11
DD60SI9, DD60SHI9 Stainless steel door panel	12
Accessories	
Handles	14
Pre-finished panels DD60STI9, DD60SHTI9	15
Pre-finished panels DD60SI9, DD60SHI9	16
Planning considerations	
Cavity specifications	18
Over width cavity specifications	19
Custom panel specifications	20
Dual installation	21
Cooldrawer™ and dishwasher side by side	22

DEVELOPED AND DETAILED DESIGN	PAGE
Custom door panel preparation	
DD60STI9, DD60SHTI9	24
DD60SI9, DD60SHI9	25
Venting specifications	
Ventilation cabinet options	27
Duct placement	28
Services	
Service specifications	30
Service placement options	31
Electrical and plumbing specifications	32
Data sheets: Handles	
Contemporary square fine handle	34
Contemporary round handle	35
Classic round handle	36
Professional round flush handle	37

DESIGN CHOICES

SINGLE DRAWER INTEGRATED

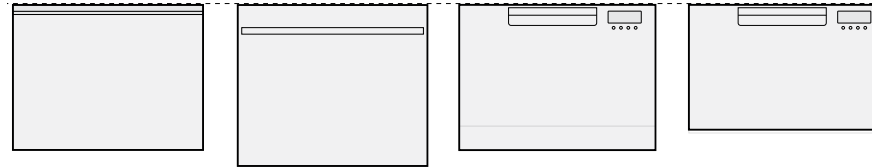


①

②

③

SINGLE DRAWER PRE-FINISHED



④

⑤

⑥

⑦

STYLE	MODELS	PANEL OPTIONS	HANDLE STYLE	HEIGHT	WIDTH	DEPTH
				mm	mm	mm
① Integrated Single DishDrawer™ Tall Series 11	DD60STX6I1 DD60STX6HI1	Custom panel, Brushed Stainless Steel, Recessed Handle in Brushed Stainless Steel or Black Stainless Steel	Contemporary, Professional and Classic	455	599	553
② Integrated Single DishDrawer™ Tall Series 9	DD60STI9 DD60SHTI9	Custom panel, Brushed Stainless Steel, Recessed Handle in Brushed Stainless Steel or Black Stainless Steel	Contemporary, Professional and Classic	455	599	553
③ Integrated Single DishDrawer™ Series 9	DD60SI9 DD60SHI9	Custom panel, Brushed Stainless Steel or Black Stainless Steel	Contemporary, Professional and Classic	410	599	553
④ Contemporary Single DishDrawer™ Tall Series 9	DD60ST4HNX9 DD60ST4HNB9 DD60ST4HZB9	Stainless Steel Black Stainless Steel Matte Black Glass	Recessed Handle, internal control panel	454	599	573*
⑤ Contemporary Single DishDrawer™ Tall Series 9	DD60SDFTX9 DD60SDFHTX9	Stainless Steel Stainless Steel	Proud Contemporary handle, internal control panel	478	599	573*
⑥ Contemporary Single DishDrawer™ Tall Series 7	DD60SCTX9 DD60SCHTX9	Stainless Steel Stainless Steel	Pocket handle, external control panel	454	599	573*
⑦ Contemporary Single DishDrawer™ Series 7	DD60SCX9 DD60SCHX9 DD60SAX9	Stainless Steel Stainless Steel Stainless Steel	Pocket handle, external control panel	410	599	573*

* Excludes handle

The models shown in this Planning Guide may not be available in all markets and are subject to change at any time. Product specifications may vary from those shown. This Planning Guide should not be used as installation guidance for any product. Further information is required to safely and correctly install the products featured here. Specific installation guidance will be available with the product on delivery and on our website fisherpaykel.com

SPECIFICATION GUIDE



OVERVIEW

Install your DishDrawer™ Dishwasher into an existing kitchen space or integrate into kitchen cabinetry. The touch-sensitive control panel is located inside this Integrated model, leaving an uninterrupted exterior that blends seamlessly with surrounding cabinetry.

PRODUCTS

DD60STI9

Integrated Dishdrawer™, 60cm wide

DD60SHTI9

Integrated Dishdrawer™ with water softener, 60cm wide

ACCESSORIES

PRE-FINISHED PANEL

Brushed stainless steel - ADDD60STPX

Black stainless steel - ADDD60STPB

PRE-FINISHED PANELS WITH RECESSED HANDLES

Brushed stainless steel - ADDD60STNX

Black stainless steel - ADDD60STNB

Matte black glass - ADDD60STZB

HANDLES

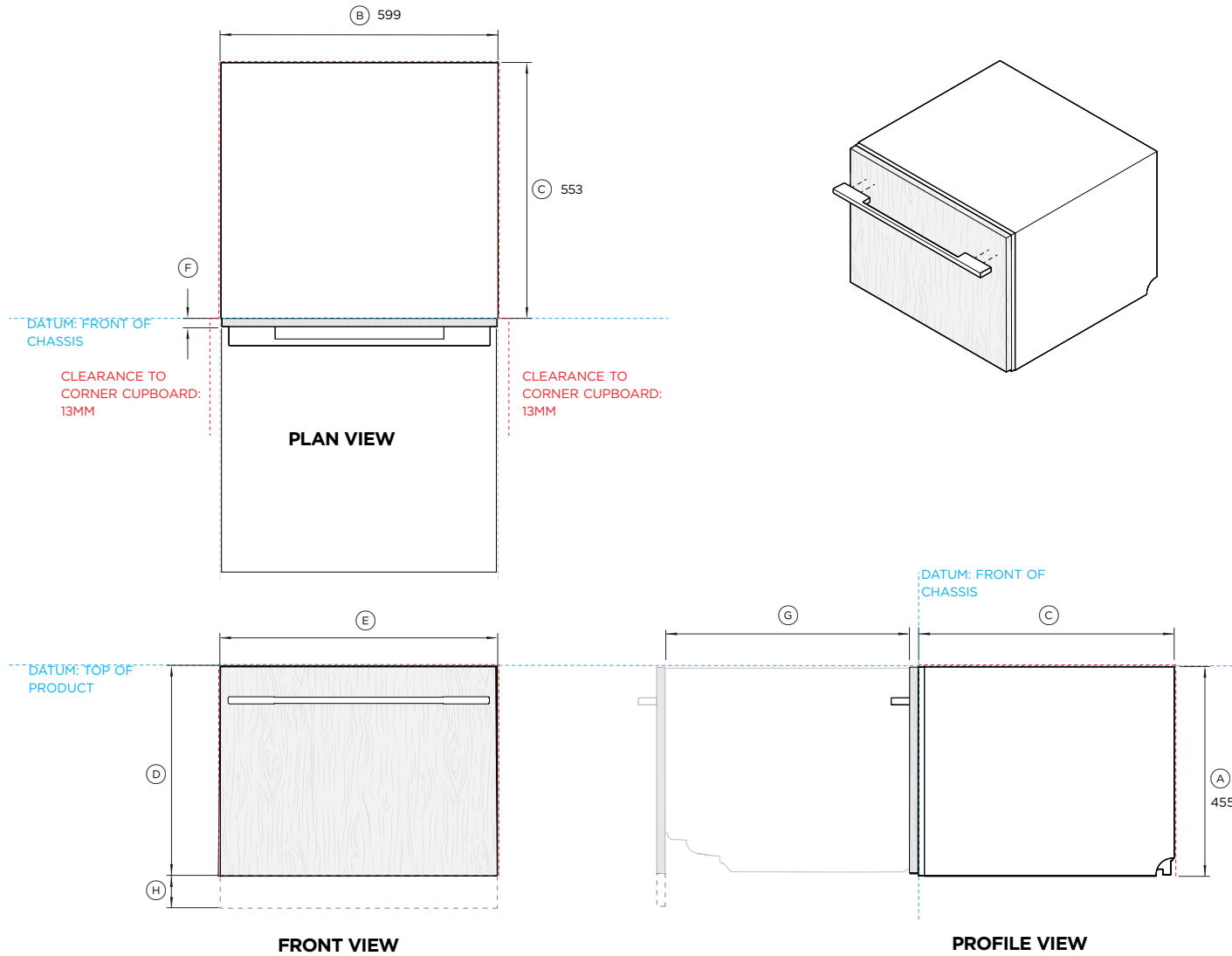
Handles are available for the Dishdrawer™ including Contemporary, Professional, and Classic styles. Options include brushed aluminium, black, and stainless steel finishes. Two handle kits are required for double drawer models.

FEATURES

- ① Eight wash programs including Auto, 60min and Glassware, while modifiers such as Sanitize, Dry+ and Quiet provide added wash flexibility. The Quiet wash modifier reduces the noise on some cycles while maintaining performance - perfect for late night washing.
- ② Drawer fits full-size dinner plates up to 310mm, with flexible racking for large cookware.
- ③ Wi-Fi capability and a SmartHQ™ app to see cycle status and notifications.
- ④ With the flexibility of ergonomic placement and function, single DishDrawer™ Dishwashers can be distributed throughout the kitchen to support patterns of use. The touch-sensitive control panel is located inside this Integrated model, leaving an uninterrupted exterior that blends seamlessly with surrounding cabinetry.
- ⑤ For ease-of-use, these DishDrawer™ Dishwashers have a knock to pause function. A knock on the front panel will pause the dishwasher, which can be restarted by using the start button.

The models shown in this Planning Guide may not be available in all markets and are subject to change at any time. Product specifications may vary from those shown. This Planning Guide should not be used as installation guidance for any product. Further information is required to safely and correctly install the products featured here. Specific installation guidance will be available with the product on delivery and on our website fisherpaykel.com

DATA SHEETS



Model no:

DD60STI9 Series 9, Integrated Tall Single DishDrawer™ Dishwasher
DD60SHTI9 Series 9, Integrated Tall Single DishDrawer™ Dishwasher

Shown with:

AHD5-OBDD-60SX Contemporary Square Fine Handle, 60cm**

Product Dimensions		mm
(A)	Overall height of chassis	455
(B)	Overall width of chassis	599
(C)	Overall depth of chassis*	553
(D)	Minimum height of drawer panel	452
(E)	Minimum width of drawer panel	596
(F)	Drawer panel thickness	16-20
(G)	Maximum drawer opening	527
(H)	Maximum lower extension of drawer	50
	Minimum toe kick height***	100
	Minimum toe kick depth***	60

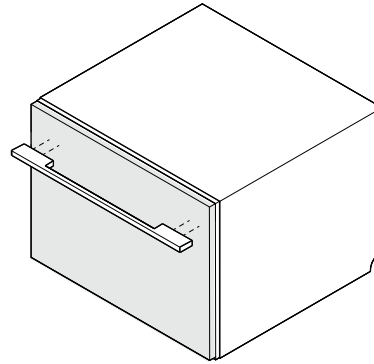
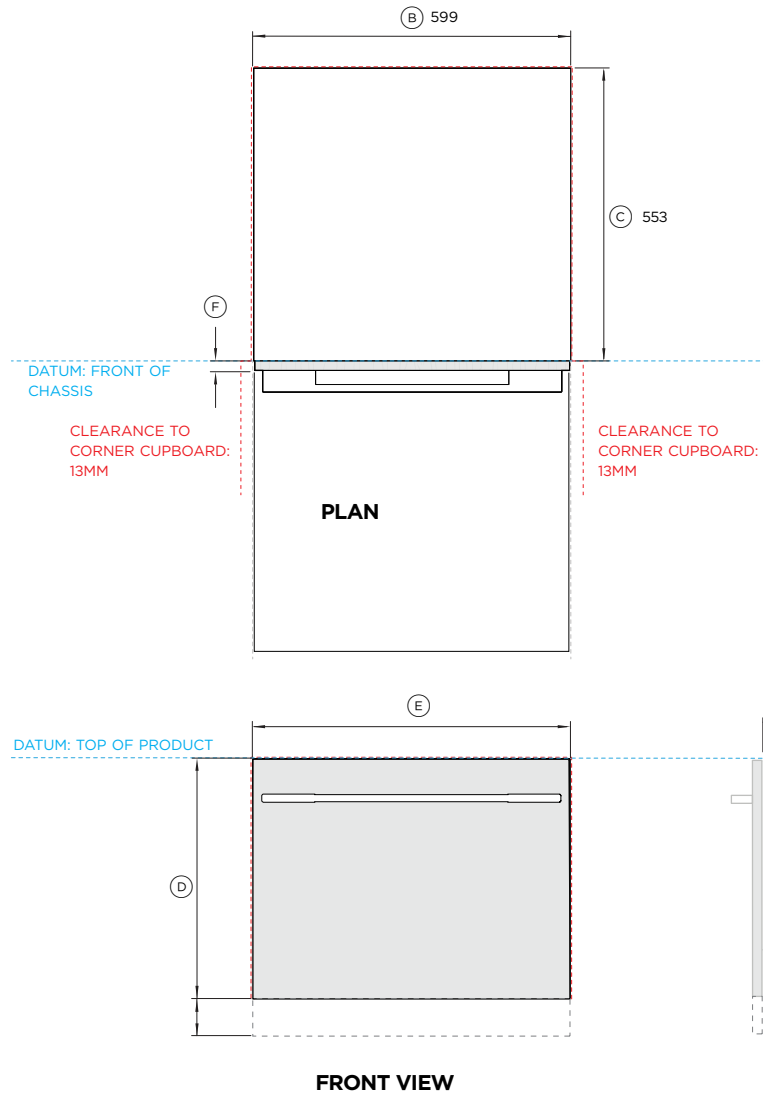
Minimum Clearances		mm
	Minimum inside height of cavity	457
	Minimum inside width of cavity	600
	Minimum overall depth of cavity**	578
	Minimum clearance to corner cupboard	13
	Minimum clearance to adjacent cupboard door	2

*Excluding drawer panels.
 **Assumes 18mm drawer panels.
 ***A minimum toe kick height of 100mm and depth of 60mm is required if venting through toe kick.

----- INDICATES CABINETRY / PRODUCT DATUM
 - - - - - INDICATES CABINETRY CLEARANCES
 - - - - - INDICATES CUTOUT

IMPORTANT NOTE: Throughout this guide, dimensions may vary by ±2mm (1/16"). Please read the installation manual for detailed information on installing the product. For full installation instructions & specifications visit fisherpaykel.com

The models shown in this Planning Guide may not be available in all markets and are subject to change at any time. Product specifications may vary from those shown. This Planning Guide should not be used as installation guidance for any product. Further information is required to safely and correctly install the products featured here. Specific installation guidance will be available with the product on delivery and on our website fisherpaykel.com



Model no:
DD60STI9 Series 9, Integrated Tall Single DishDrawer™ Dishwasher
DD60SHTI9 Series 9, Integrated Tall Single DishDrawer™ Dishwasher

Shown with:
 ADDD60STPX Stainless Steel Drawer Panel
 AHD5-OBDD-60SX Contemporary Square Fine Handle, 60cm**

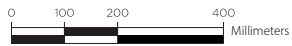
Product Dimensions		mm
(A)	Overall height of product	455
(B)	Overall width of chassis	599
(C)	Overall depth of chassis*	553
(D)	Height of drawer panel	447
(E)	Width of drawer panel	595
(F)	Depth of drawer panel	18
(G)	Maximum drawer opening	527
	Minimum toe kick height**	100
	Minimum toe kick depth**	60

Minimum Clearances		mm
	Minimum inside height of cavity	457
	Minimum inside width of cavity	600
	Minimum overall depth of cavity	571
	Minimum clearance to corner cupboard	13
	Minimum clearance to adjacent cupboard door	2

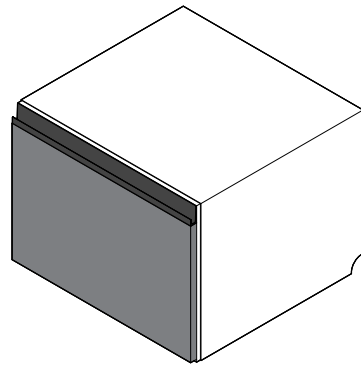
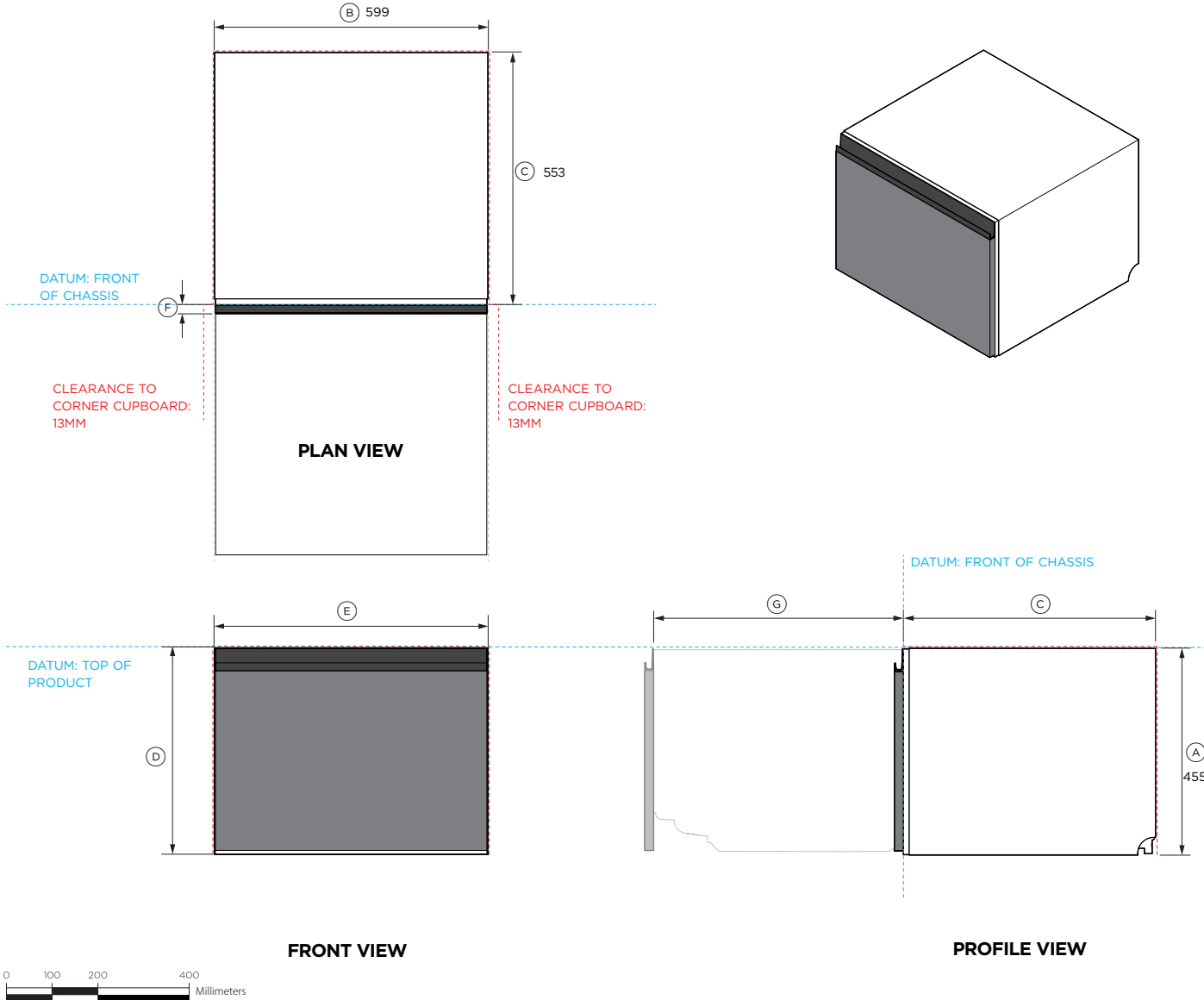
*Excluding drawer panels.
 **A minimum toe kick height of 100mm and depth of 60mm is required if venting through toe kick.

----- INDICATES CABINETRY / PRODUCT DATUM
 - - - - - INDICATES CABINETRY CLEARANCES
 - - - - - INDICATES CUTOUT

IMPORTANT NOTE: Throughout this guide, dimensions may vary by ±2mm (1/16"). Please read the installation manual for detailed information on installing the product. For full installation instructions & specifications visit fisherpaykel.com



The models shown in this Planning Guide may not be available in all markets and are subject to change at any time. Product specifications may vary from those shown. This Planning Guide should not be used as installation guidance for any product. Further information is required to safely and correctly install the products featured here. Specific installation guidance will be available with the product on delivery and on our website fisherpaykel.com



Model no:
DD60STI9 Series 9, Integrated Tall Single DishDrawer™ Dishwasher
DD60SHTI9 Series 9, Integrated Tall Single DishDrawer™ Dishwasher

Shown with:
 ADDD60STNB Black Stainless Steel Drawer Panel

Product Dimensions		mm
(A)	Overall height of product	455
(B)	Overall width of product	599
(C)	Overall depth of chassis*	553
(D)	Height of drawer panel	442
(E)	Width of drawer panel	595
(F)	Depth of drawer panel	20
(G)	Maximum drawer opening	527
	Minimum toe kick height**	100
	Minimum toe kick depth**	60

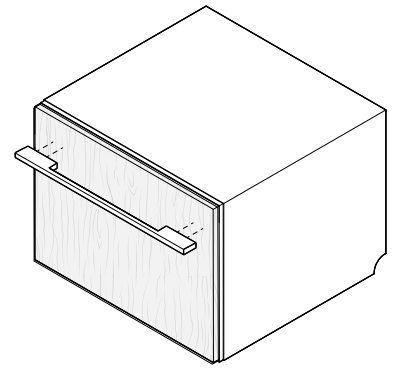
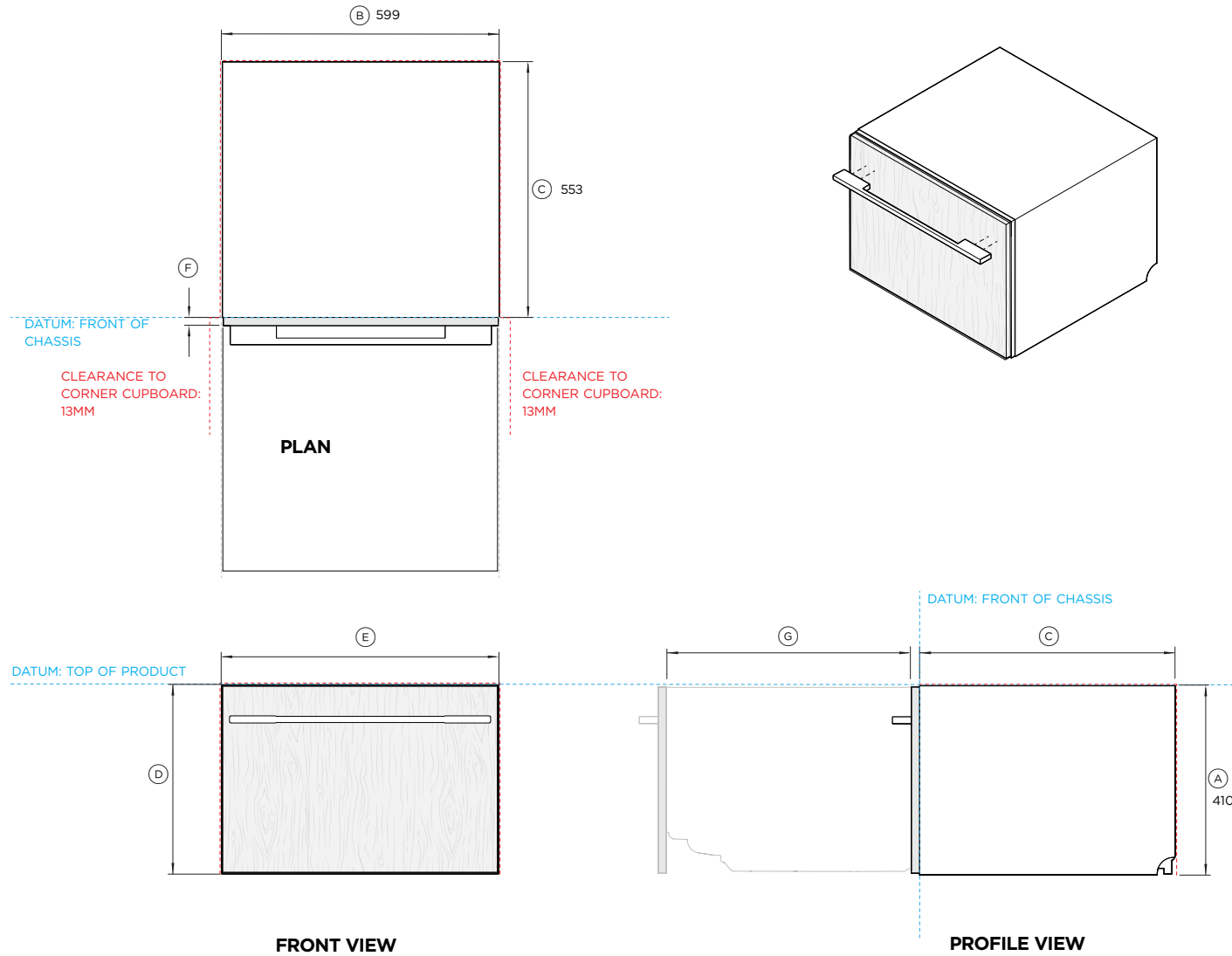
Minimum Clearances		mm
	Minimum inside height of cavity	457
	Minimum inside width of cavity	600
	Minimum overall depth of cavity	573
	Minimum clearance to corner cupboard	13
	Minimum clearance to adjacent cupboard door	2

*Excluding drawer panels.
 **A minimum toe kick height of 100mm and depth of 60mm is required if venting through toe kick.

----- INDICATES CABINERY / PRODUCT DATUM
 - - - - - INDICATES CABINERY CLEARANCES
 - - - - - INDICATES CUTOUT

IMPORTANT NOTE: Throughout this guide, dimensions may vary by ±2mm (1/16"). Please read the installation manual for detailed information on installing the product. For full installation instructions & specifications visit fisherpaykel.com

The models shown in this Planning Guide may not be available in all markets and are subject to change at any time. Product specifications may vary from those shown. This Planning Guide should not be used as installation guidance for any product. Further information is required to safely and correctly install the products featured here. Specific installation guidance will be available with the product on delivery and on our website fisherpaykel.com



Model no:
DD60SI9, DD60SHI9 Series 9, Integrated Single DishDrawer™ Dishwasher

Shown with:
 AHD5-OBDD-60SX Contemporary Square Fine Handle, 60cm**

Product Dimensions	mm
(A) Overall height of product	410
(B) Overall width of chassis	599
(C) Overall depth of chassis*	553
(D) Height of drawer panel	408
(E) Width of drawer panel	595
(F) Depth of drawer panel	18
(G) Maximum drawer opening	527
Minimum toe kick height**	100
Minimum toe kick depth**	60

Minimum Clearances	mm
Minimum inside height of cavity	412
Minimum inside width of cavity	600
Minimum overall depth of cavity	571
Minimum clearance to corner cupboard	13
Minimum clearance to adjacent cupboard door	2

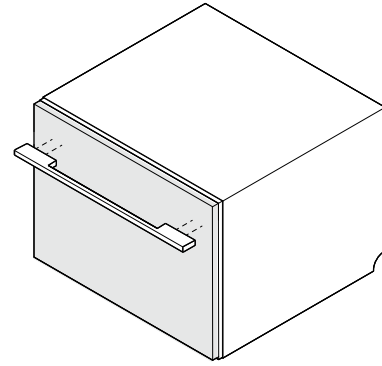
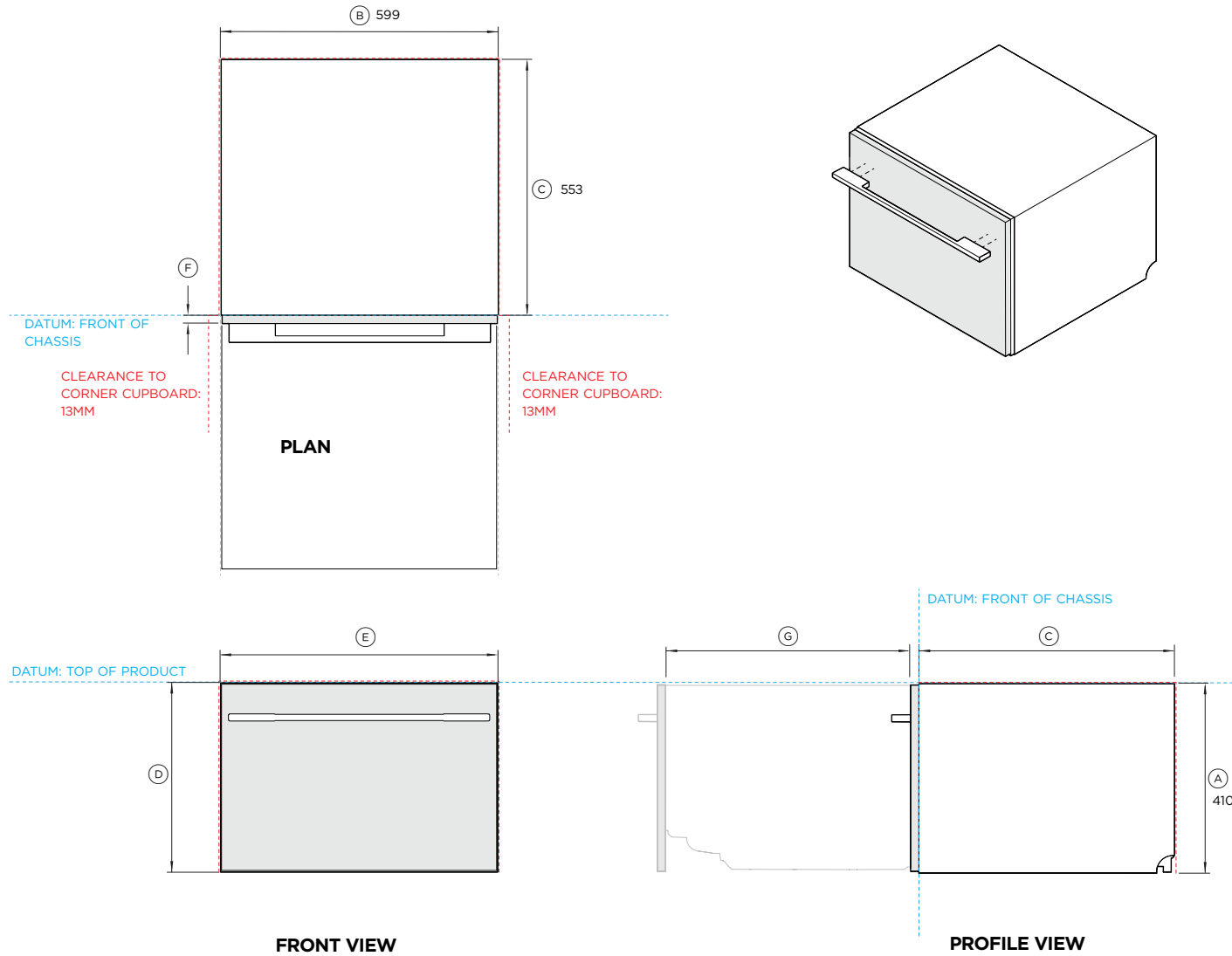
*Excluding drawer panels.
 **A minimum toe kick height of 100mm and depth of 60mm is required if venting through toe kick.

----- INDICATES CABINERY / PRODUCT DATUM
 - - - - - INDICATES CABINERY CLEARANCES
 - - - - - INDICATES CUTOUT

IMPORTANT NOTE: Throughout this guide, dimensions may vary by ±2mm (1/16"). Please read the installation manual for detailed information on installing the product. For full installation instructions & specifications visit fisherpaykel.com



The models shown in this Planning Guide may not be available in all markets and are subject to change at any time. Product specifications may vary from those shown. This Planning Guide should not be used as installation guidance for any product. Further information is required to safely and correctly install the products featured here. Specific installation guidance will be available with the product on delivery and on our website fisherpaykel.com



Model no:
DD60SI9, DD60SHI9 Series 9, Integrated Single DishDrawer™ Dishwasher

Shown with:
 ADDD60SPX Stainless Steel Drawer Panel
 AHD5-OBDD-60SX Contemporary Square Fine Handle, 60cm**

Also available:
 ADDD60SPB Black Stainless Steel Drawer Panel

Product Dimensions		mm
(A)	Overall height of product	410
(B)	Overall width of chassis	599
(C)	Overall depth of chassis*	553
(D)	Height of drawer panel	408
(E)	Width of drawer panel	595
(F)	Depth of drawer panel	18
(G)	Maximum drawer opening	527
	Minimum toe kick height**	100
	Minimum toe kick depth**	60

Minimum Clearances		mm
	Minimum inside height of cavity	412
	Minimum inside width of cavity	600
	Minimum overall depth of cavity	571
	Minimum clearance to corner cupboard	13
	Minimum clearance to adjacent cupboard door	2

*Excluding drawer panels.
 **A minimum toe kick height of 100mm and depth of 60mm is required if venting through toe kick.

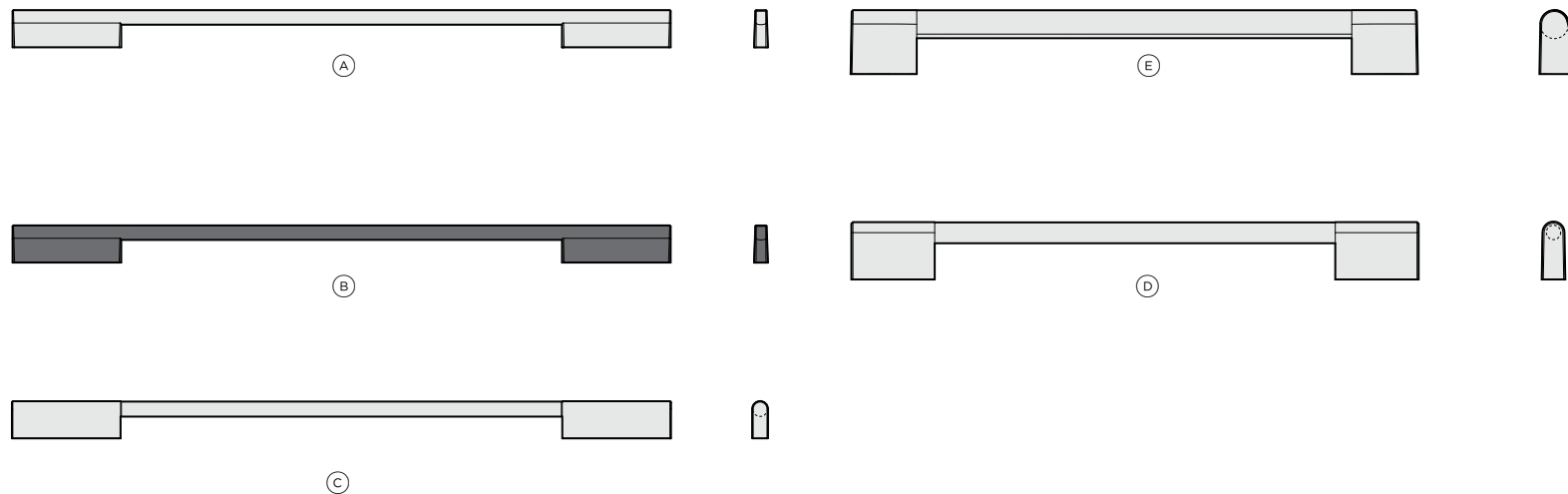
----- INDICATES CABINERY / PRODUCT DATUM
 - - - - - INDICATES CABINERY CLEARANCES
 - · - · - INDICATES CUTOUT

IMPORTANT NOTE: Throughout this guide, dimensions may vary by ±2mm (1/16"). Please read the installation manual for detailed information on installing the product. For full installation instructions & specifications visit fisherpaykel.com



The models shown in this Planning Guide may not be available in all markets and are subject to change at any time. Product specifications may vary from those shown. This Planning Guide should not be used as installation guidance for any product. Further information is required to safely and correctly install the products featured here. Specific installation guidance will be available with the product on delivery and on our website fisherpaykel.com

ACCESSORIES



Handle kits		
Style	Model	Finish
Ⓐ Contemporary square fine	AHD5-OBDD-60SX	Brushed aluminium
Ⓑ Contemporary square fine black	AHD5-OBDD-60SB	Brushed black aluminium
Ⓒ Contemporary round	AHS-OBDD-60S	Stainless steel
Ⓓ Professional round flush	AHP3-DWDD-60S	Stainless steel
Ⓔ Classic round	AHCL-DDDW-60X	Stainless steel

The models shown in this Planning Guide may not be available in all markets and are subject to change at any time. Product specifications may vary from those shown. This Planning Guide should not be used as installation guidance for any product. Further information is required to safely and correctly install the products featured here. Specific installation guidance will be available with the product on delivery and on our website fisherpaykel.com

PRE-FINISHED PANELS

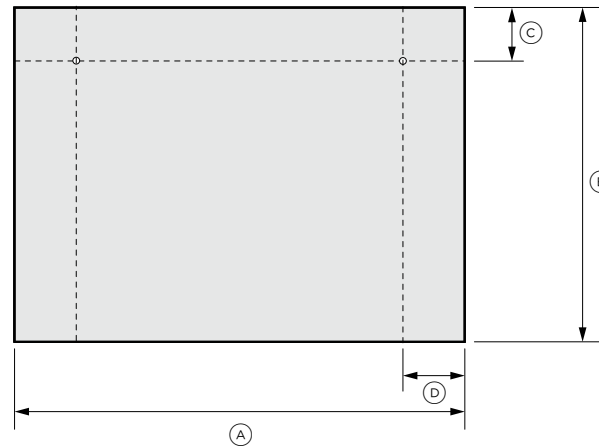
Drawer panel

- ① ADDD60STPX Brushed Stainless Steel
- ② ADDD60STPB Black Stainless Steel

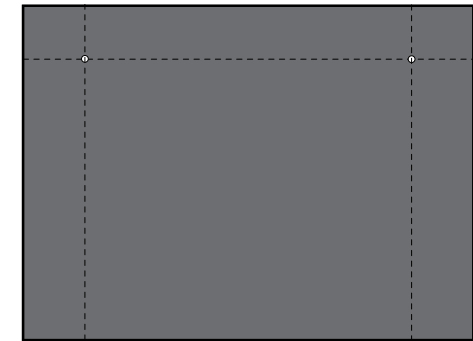
Drawer Panel with recessed handle

- ③ ADDD60STZB Matte black glass
- ④ ADDD60STNX Brushed Stainless Steel
- ⑤ ADDD60STNB Black Stainless Steel

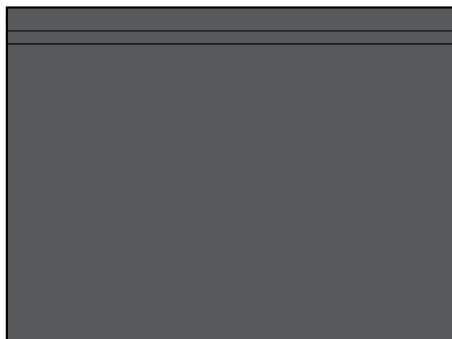
Panel Dimensions	mm
Ⓐ Width of panel	595
Ⓑ Height of panel	447
Ⓒ Handle fixing point from top of panel	72
Ⓓ Handle fixing point from side of panel	81.5
Ⓔ Recessed handle height	33
Panel depth	18



① PRE-FINISHED PANEL ADDD60STPX
BRUSHED STAINLESS STEEL



② PRE-FINISHED PANEL ADDD60STPB
BLACK STAINLESS STEEL



③ PRE-FINISHED PANEL WITH RECESSED HANDLE ADDD60STZB
MATTE BLACK GLASS



④ PRE-FINISHED PANEL WITH RECESSED HANDLE ADDD60STNX
BRUSHED STAINLESS STEEL



⑤ PRE-FINISHED PANEL WITH RECESSED HANDLE ADDD60STNB
BLACK STAINLESS STEEL

The models shown in this Planning Guide may not be available in all markets and are subject to change at any time. Product specifications may vary from those shown. This Planning Guide should not be used as installation guidance for any product. Further information is required to safely and correctly install the products featured here. Specific installation guidance will be available with the product on delivery and on our website fisherpaykel.com

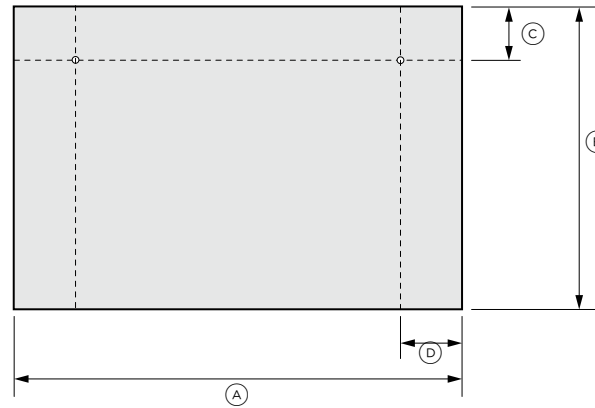
PRE-FINISHED PANELS

Drawer panel

Brushed Stainless Steel - ADDD60SPX

Black Stainless Steel - ADDD60SPB

Panel Dimensions	mm
Ⓐ Width of panel	595
Ⓑ Height of panel	403
Ⓒ Handle fixing point from top of panel	72
Ⓓ Handle fixing point from side of panel	81.5
Ⓔ Recessed handle height	33
Panel depth	18



PRE-FINISHED PANEL ADDD60SPX
BRUSHED STAINLESS STEEL



PRE-FINISHED PANEL ADDD60SPB
BLACK STAINLESS STEEL

The models shown in this Planning Guide may not be available in all markets and are subject to change at any time. Product specifications may vary from those shown. This Planning Guide should not be used as installation guidance for any product. Further information is required to safely and correctly install the products featured here. Specific installation guidance will be available with the product on delivery and on our website fisherpaykel.com

PLANNING CONSIDERATIONS

PLANNING CONSIDERATIONS | CAVITY SPECIFICATIONS

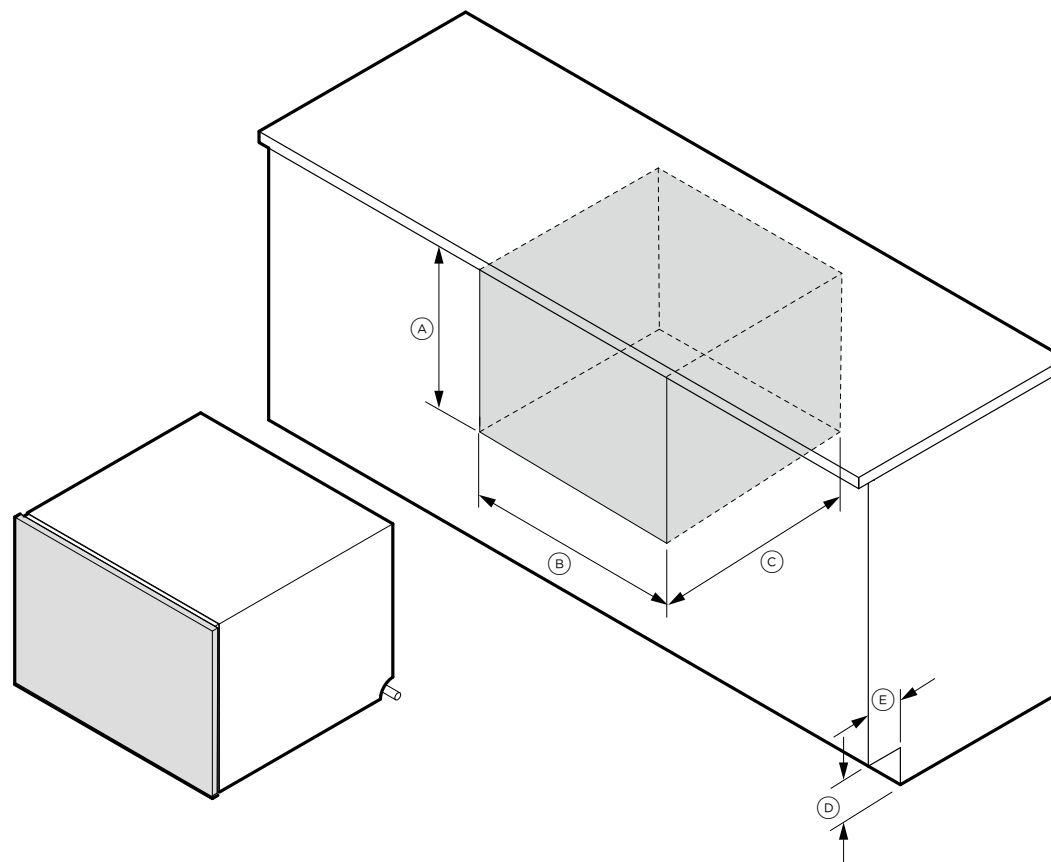
CAVITY SPECIFICATIONS

The cavity height will vary according to your cabinetry design.

Cavity Dimensions	mm
(A) Cavity minimum height DD60STI9, DD60SHTI9	457
DD60SI9, DD60SHI9	412
(B) Cavity width	600
(C) Minimum cavity depth*	578
(D) Minimum toe kick height**	100
(E) Minimum toe kick depth**	60

*Assumes 18mm door panels. Ensure there are no obstructions in the cavity if minimum cavity depth and width are specified.

**A minimum toe kick height of 100mm and depth of 60mm is required if venting through toe kick.

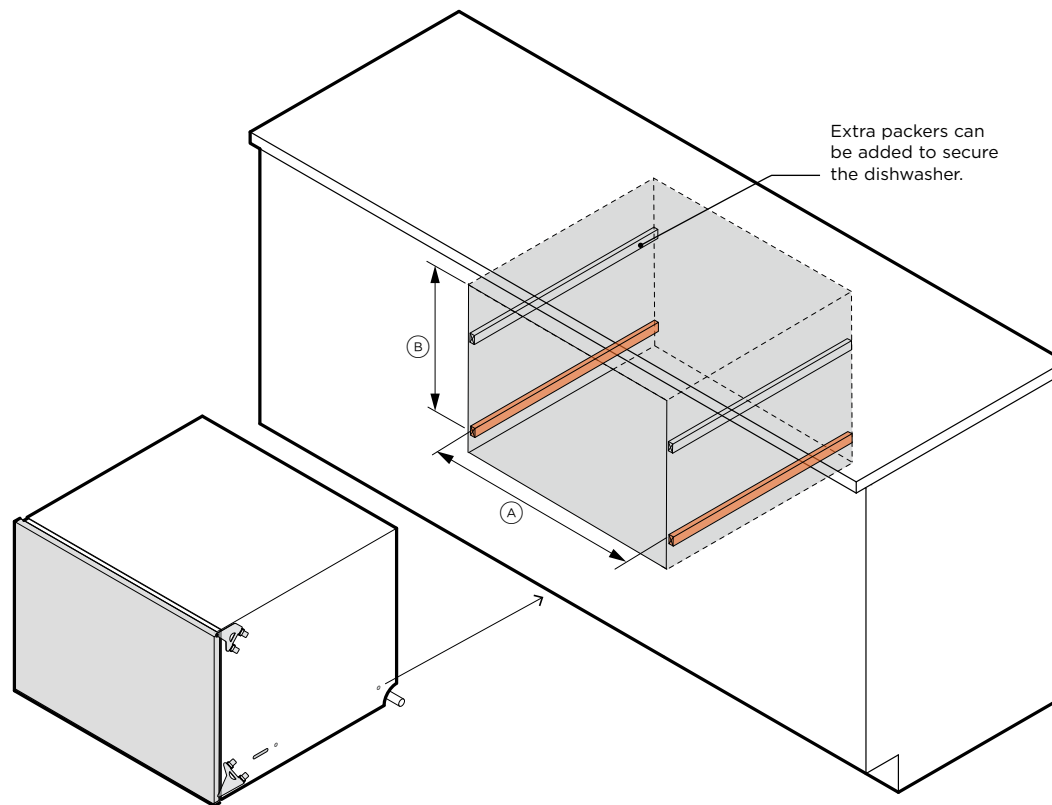


CAVITY PACKING PLACEMENT

The dishwasher must be secured through chassis and into the cabinet sides. If the cavity is over width, packers must be installed to avoid bowing the chassis.

Side and top brackets may be installed and fixed to the edge of the cabinet.

Dimensions	mm
Ⓐ Width between spacers	600
Ⓑ Chassis center of fixing point from top of cavity	
DD60STI9, DD60SHTI9	340
DD60SI9, DD60SHI9	295



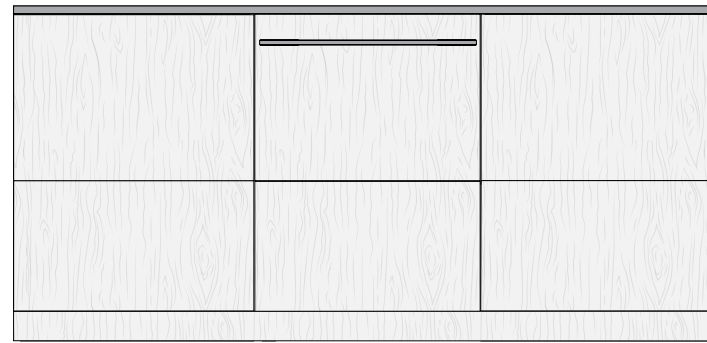
The models shown in this Planning Guide may not be available in all markets and are subject to change at any time. Product specifications may vary from those shown. This Planning Guide should not be used as installation guidance for any product. Further information is required to safely and correctly install the products featured here. Specific installation guidance will be available with the product on delivery and on our website fisherpaykel.com

PLANNING CONSIDERATIONS | CUSTOM PANELS

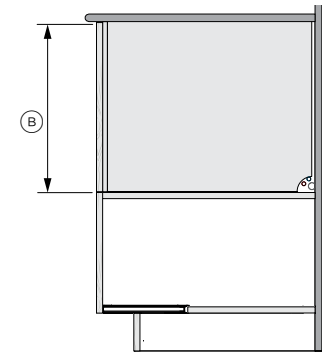
CUSTOM PANEL SPECIFICATIONS

Ensure that there are no obstructions under the counter top if the dishwasher is installed directly below.

Dimensions	mm
(A) Minimum panel width	596
(B) Minimum panel height DD60STI9, DD60SHTI9	452
DD60SI9, DD60SHI9	408
(C) Minimum clearance gap between drawers	2
Maximum lower panel extension	50



FRONT VIEW
MINIMUM CAVITY HEIGHT WITH EXTENDED PANEL



SECTION VIEW

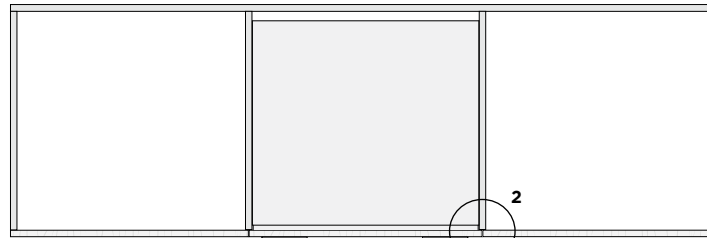
EXTENDING CUSTOM PANELS

Custom panels may need to extend to cover cabinet side walls or frames, or to create recessed handles.

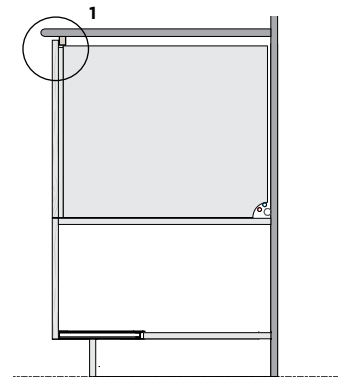
Make sure the dishwasher drawer can always close securely against the seals on the chassis.

The dishwasher drawers must seal properly when closed to prevent humidity escape and condensation, which can damage the custom panel.

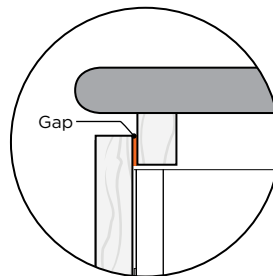
If the custom drawer panel contacts any cabinetry, the seal may be compromised, allowing humidity to escape and damage the drawer panels or cabinetry.



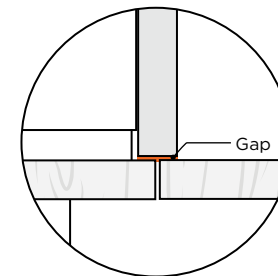
PLAN VIEW



SECTION VIEW



DETAIL 1



DETAIL 2

The models shown in this Planning Guide may not be available in all markets and are subject to change at any time. Product specifications may vary from those shown. This Planning Guide should not be used as installation guidance for any product. Further information is required to safely and correctly install the products featured here. Specific installation guidance will be available on our website fisherpaykel.com

PLANNING CONSIDERATIONS | DUAL INSTALLATION

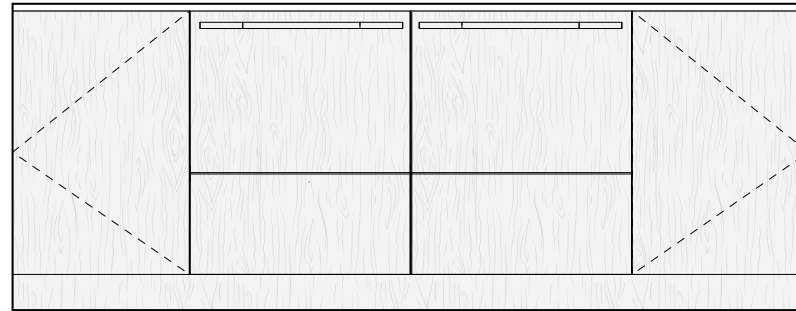
SIDE BY SIDE

The chassis is screwed to the cabinet side and requires a dividing panel between the dishwashers. Shorter screws may be required.

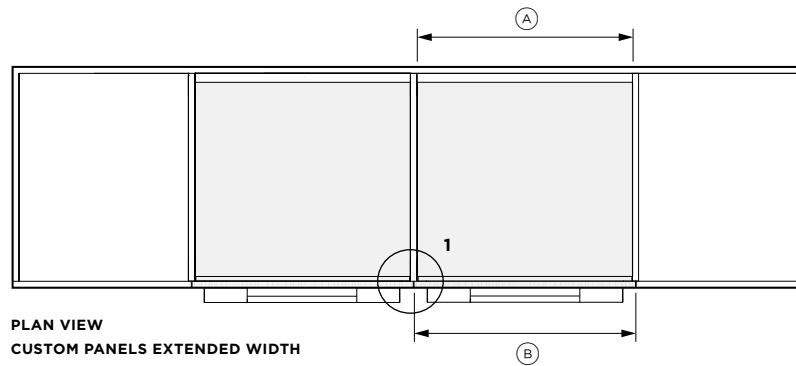
Dimensions	mm
Ⓐ Cavity width	600
Ⓑ Minimum custom panel width*	596
Ⓒ Pre-finished panel width	595

*Panel width depends on your cabinetry style, which may be overlay, framed, or standard.

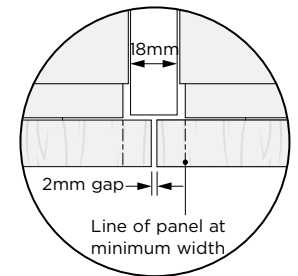
Ensure that there is a small gap between the custom panel and any cabinetry behind it to allow a good seal.



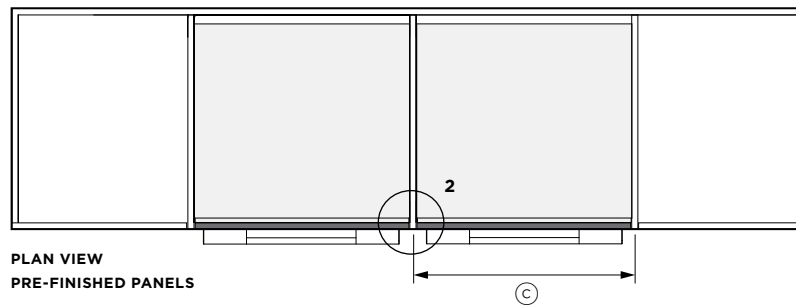
**FRONT VIEW
SIDE BY SIDE INSTALLATION**



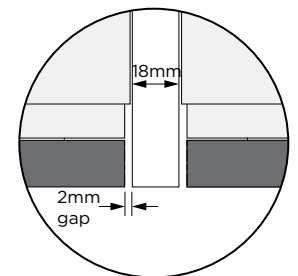
**PLAN VIEW
CUSTOM PANELS EXTENDED WIDTH**



**DETAIL 1
PANEL EXTENDED TO CENTER OF
CABINET DIVIDER**



**PLAN VIEW
PRE-FINISHED PANELS**



**DETAIL 2
SIDE BY SIDE CONFIGURATON
WITH PRE-FINISHED PANELS**

The models shown in this Planning Guide may not be available in all markets and are subject to change at any time. Product specifications may vary from those shown. This Planning Guide should not be used as installation guidance for any product. Further information is required to safely and correctly install the products featured here. Specific installation guidance will be available with the product on delivery and on our website fisherpaykel.com

SIDE BY SIDE

For detailed Cooldrawer™ information refer to the Cooldrawer™ Planning Guide at fisherpaykel.com
 Classic handle kit shown for Cooldrawer (AHCLRD36S) and dishwasher (AHCL-DDDW-60X).

Other compatible handles:

Square fine aluminium

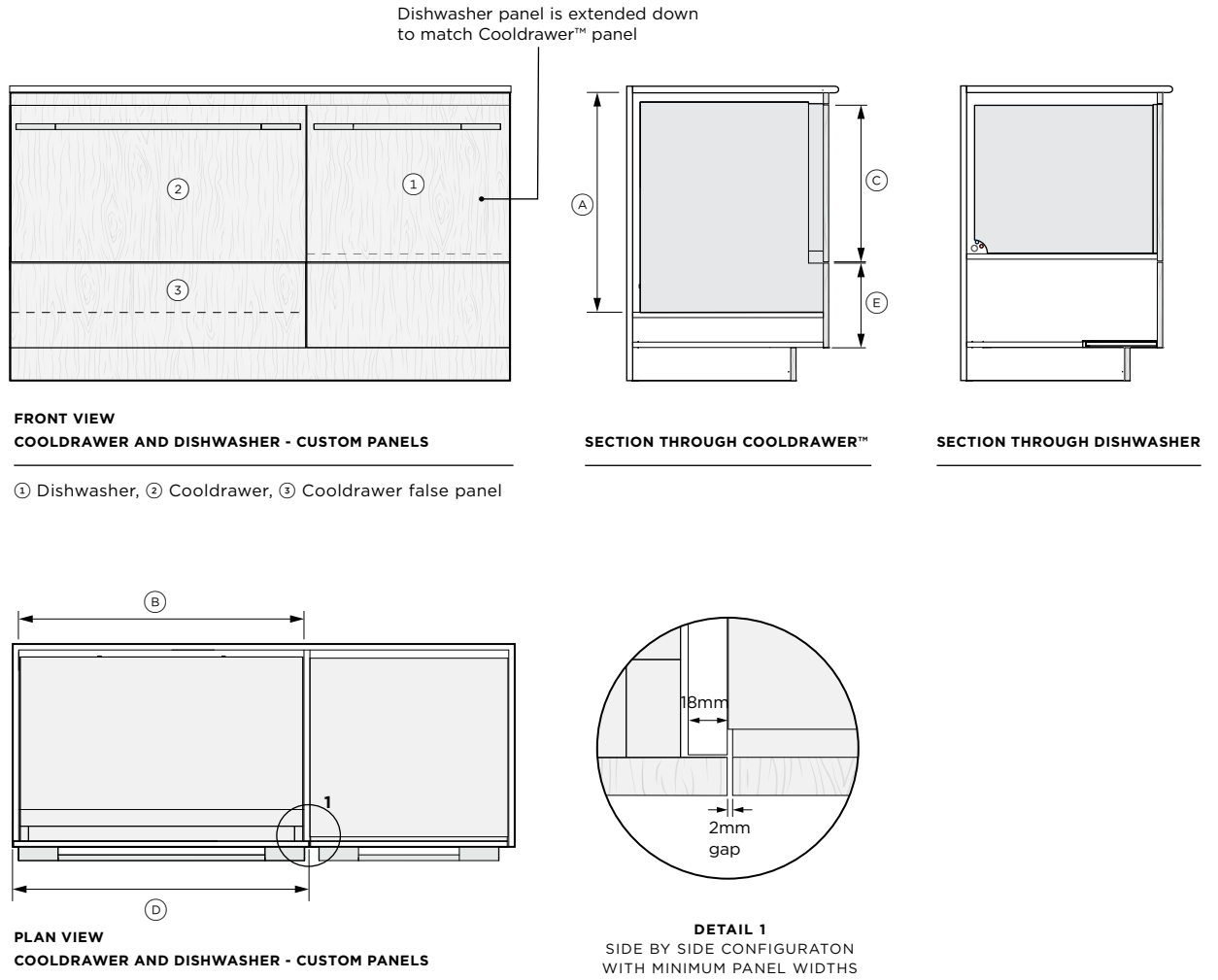
Cooldrawer AHD5RD36S and
 Dishwasher AHD5-OBDD-60SX

Square fine black

Cooldrawer AHD5RD36SB
 Dishwasher AHD5-OBDD-60SB

Cooldrawer™ Dimensions	mm
Ⓐ Cooldrawer™ minimum cavity height	665 - 764
Ⓑ Cooldrawer™ cavity width	864
Ⓒ Cooldrawer™ minimum panel height	min 476
Ⓓ Cooldrawer™ minimum panel width	896
Ⓔ Cooldrawer™ false panel height	150 - 180

Note: Custom door panel and toe kicks to be manufactured and fitted by cabinetmaker.
 Cooldrawer cannot be paired with dishwasher model DD60SI9.



The models shown in this Planning Guide may not be available in all markets and are subject to change at any time. Product specifications may vary from those shown. This Planning Guide should not be used as installation guidance for any product. Further information is required to safely and correctly install the products featured here. Specific installation guidance will be available with the product on delivery and on our website fisherpaykel.com

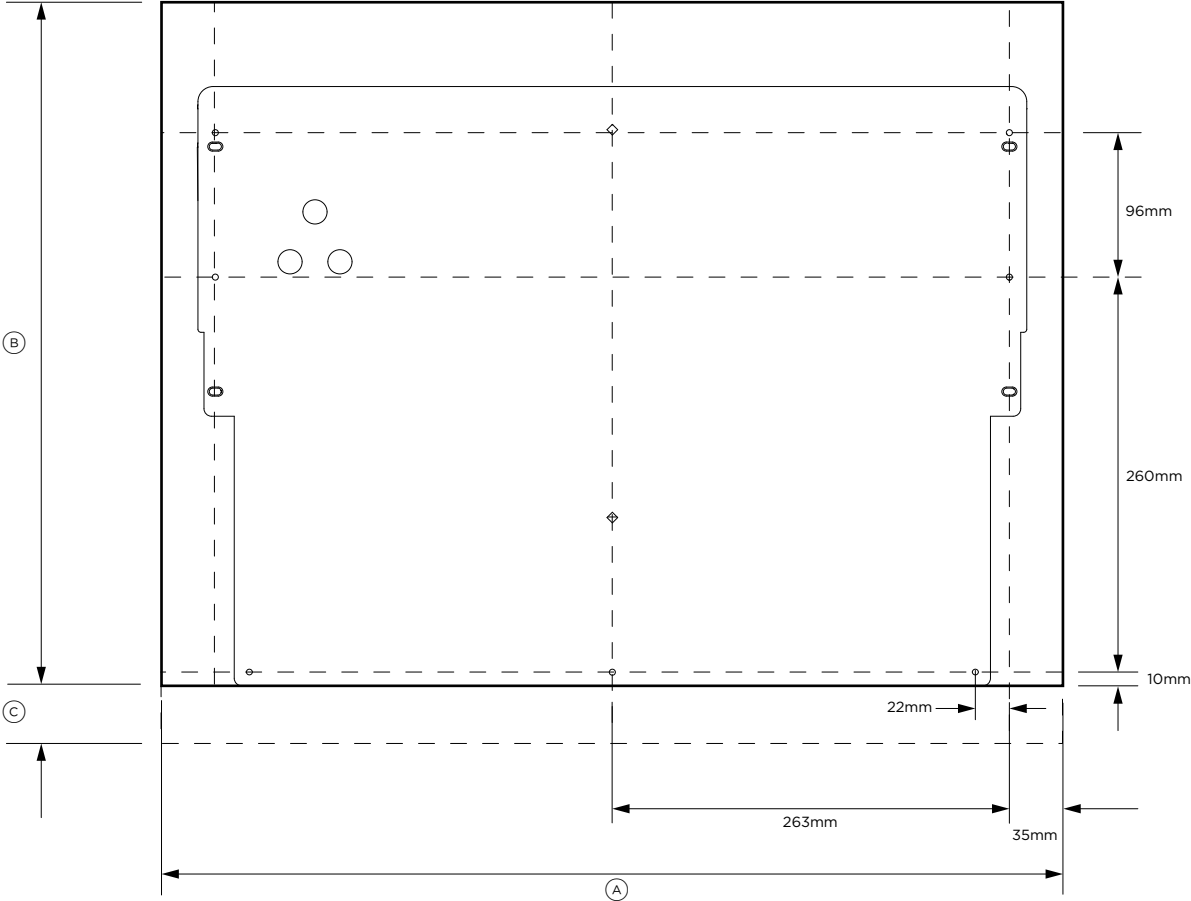
CUSTOM DRAWER PANEL PREPARATION

CUSTOM PANEL SPECIFICATIONS

Panel width will vary according to your cabinet specifications.

Custom drawer panel and toe kicks should be manufactured and fitted by a cabinetmaker.

Panel Dimensions	mm
Ⓐ Minimum panel width	596
Ⓑ Minimum panel height	452
Ⓒ Maximum panel extension at bottom	50mm
Minimum panel extension to cover assisted opening accessory	57mm
Maximum panel weight of drawer panel including handle	9kg



PANEL - BACK VIEW

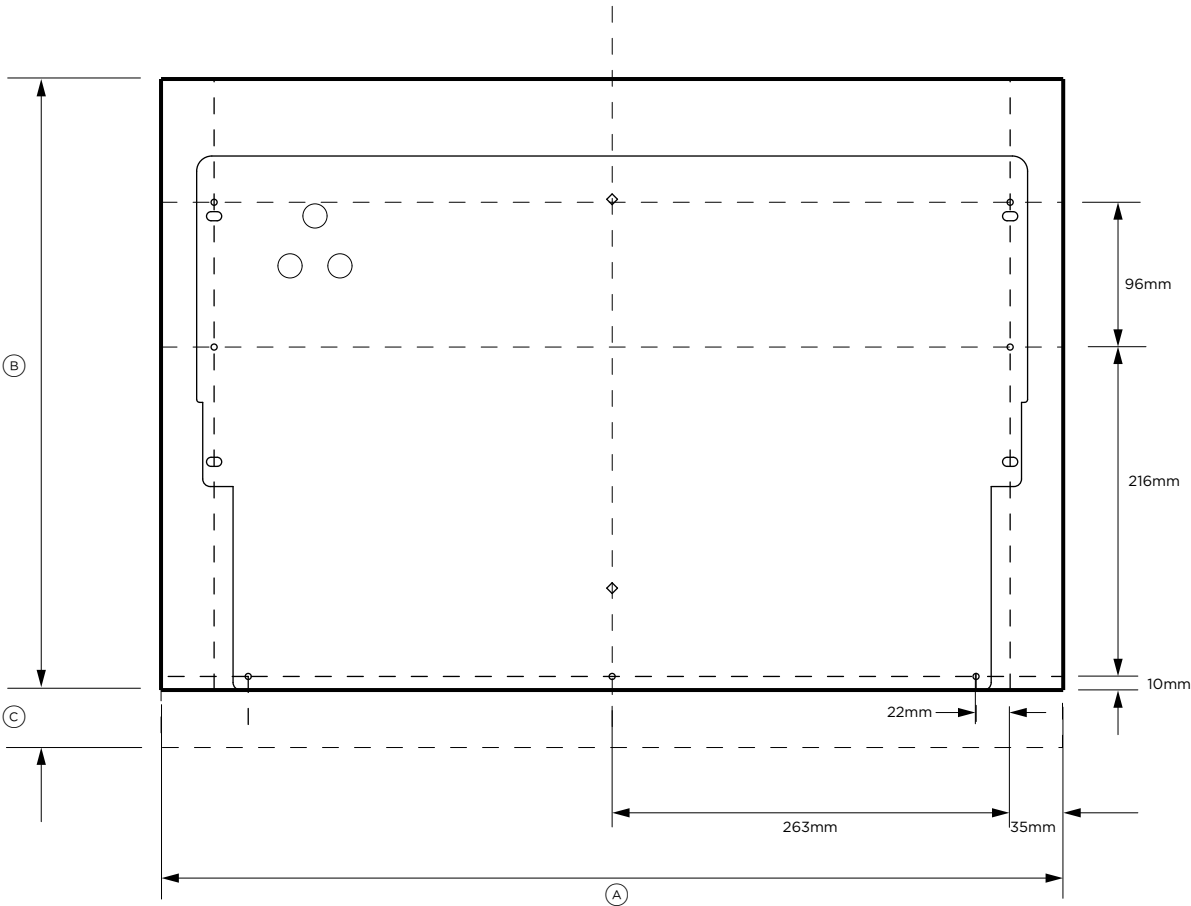
The models shown in this Planning Guide may not be available in all markets and are subject to change at any time. Product specifications may vary from those shown. This Planning Guide should not be used as installation guidance for any product. Further information is required to safely and correctly install the products featured here. Specific installation guidance will be available with the product on delivery and on our website fisherpaykel.com

CUSTOM PANEL SPECIFICATIONS

Panel width will vary according to your cabinet specifications.

Custom drawer panel and toe kicks should be manufactured and fitted by a cabinetmaker.

Panel Dimensions	mm
Ⓐ Minimum panel width	596
Ⓑ Minimum panel height	408
Ⓒ Maximum panel extension at bottom	50mm
Minimum panel extension to cover assisted opening accessory	57mm
Maximum panel weight of drawer panel including handle	9kg



PANEL - BACK VIEW

The models shown in this Planning Guide may not be available in all markets and are subject to change at any time. Product specifications may vary from those shown. This Planning Guide should not be used as installation guidance for any product. Further information is required to safely and correctly install the products featured here. Specific installation guidance will be available with the product on delivery and on our website fisherpaykel.com

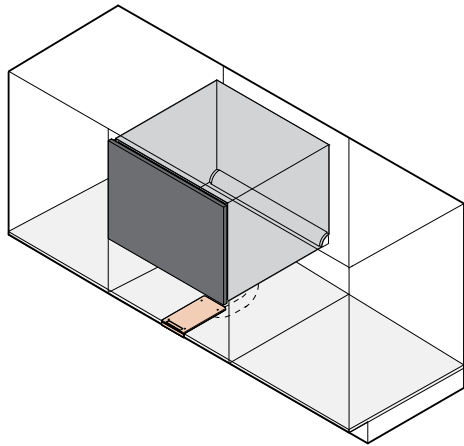
VENTING SPECIFICATIONS

PLANNING CONSIDERATIONS | VENTILATION OPTIONS

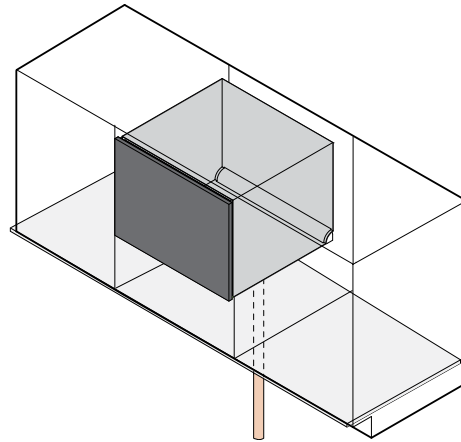
VENT HOSE

The vent hose may be coiled in the toe kick space, but ensure that there are no sharp bends or kinks.

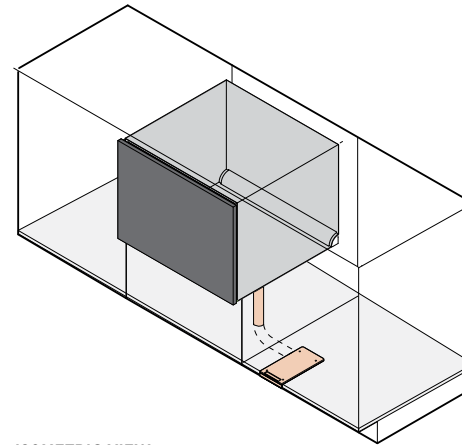
The minimum service hole size is 57mm in diameter.
The service hole closest to the dishwasher must be 538mm from the front of the DishDrawer, excluding panels, to avoid constricting or damaging the vent hose.



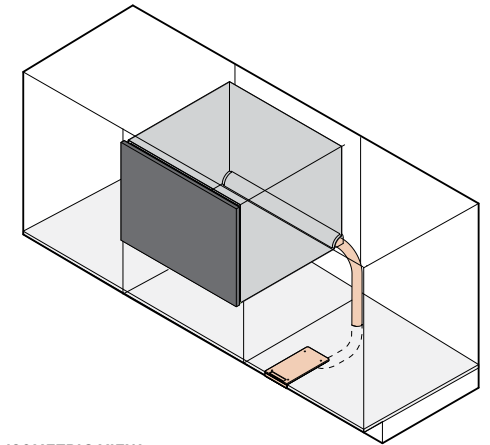
ISOMETRIC VIEW
VENT UNDER DISHWASHER



ISOMETRIC VIEW
VENTING UNDER FLOOR



ISOMETRIC VIEW
VENTING TO ADJACENT CABINET



ISOMETRIC VIEW
VENTING TO ADJACENT CABINET

VENT UNDER DISHWASHER

Route the vent hose below the dishwasher cavity. The duct can be installed under a drawer, provided there is a 60mm gap behind the drawer.

VENT HOSE UNDER FLOOR

The vent hose can be installed below the dishwasher cavity and through the floor into an open and ventilated area. The duct will not be required.

VENTING TO ADJACENT CABINET

Route the vent hose under the dishwasher and into the toe kick space. The hose can then be routed through the toe kick space and into the adjacent left or right toe kick.

VENTING TO ADJACENT CABINET

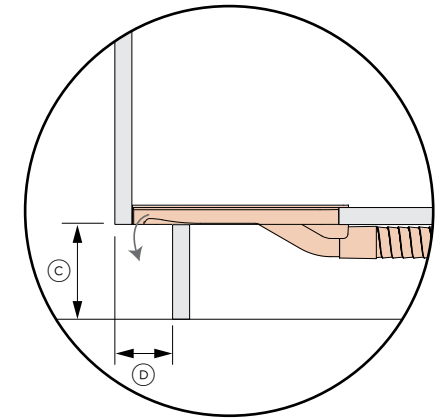
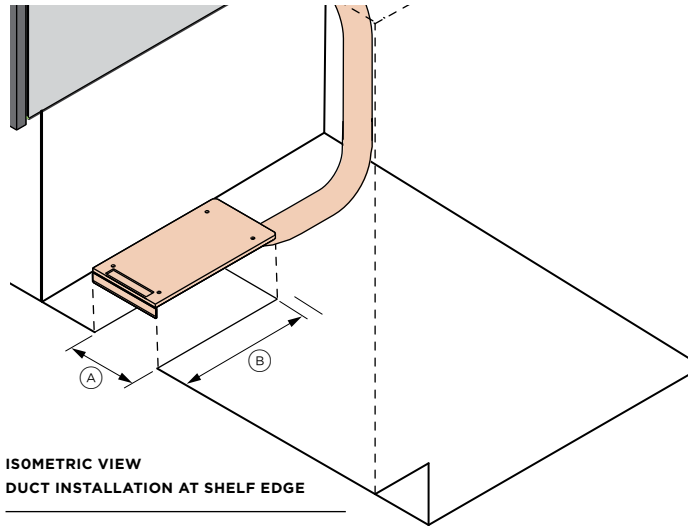
Route the vent hose through the side wall and into the toe kick space. To avoid constricting the vent hose, place the water inlet, drainage hose, and power in a separate cabinet space.

The models shown in this Planning Guide may not be available in all markets and are subject to change at any time. Product specifications may vary from those shown. This Planning Guide should not be used as installation guidance for any product. Further information is required to safely and correctly install the products featured here. Specific installation guidance will be available with the product on delivery and on our website fisherpaykel.com

PLANNING CONSIDERATIONS | DUCT PLACEMENT

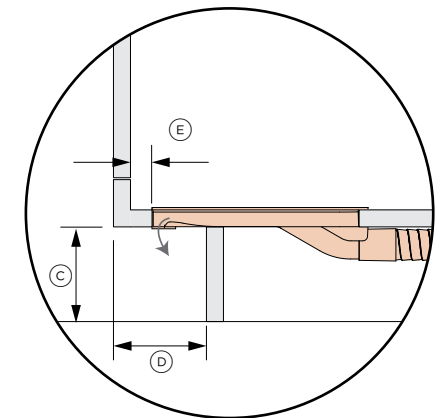
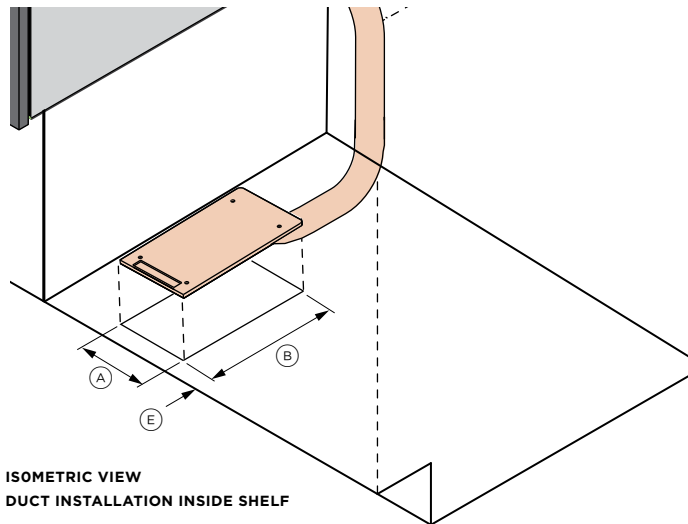
DUCT INSTALLATION AT SHELF EDGE

Dimensions	mm
Ⓐ Duct cut out width	100
Ⓑ Duct cut out length	220
Ⓒ Minimum toe kick height	100
Ⓓ Minimum toe kick depth	60



DUCT INSTALLATION INSIDE SHELF

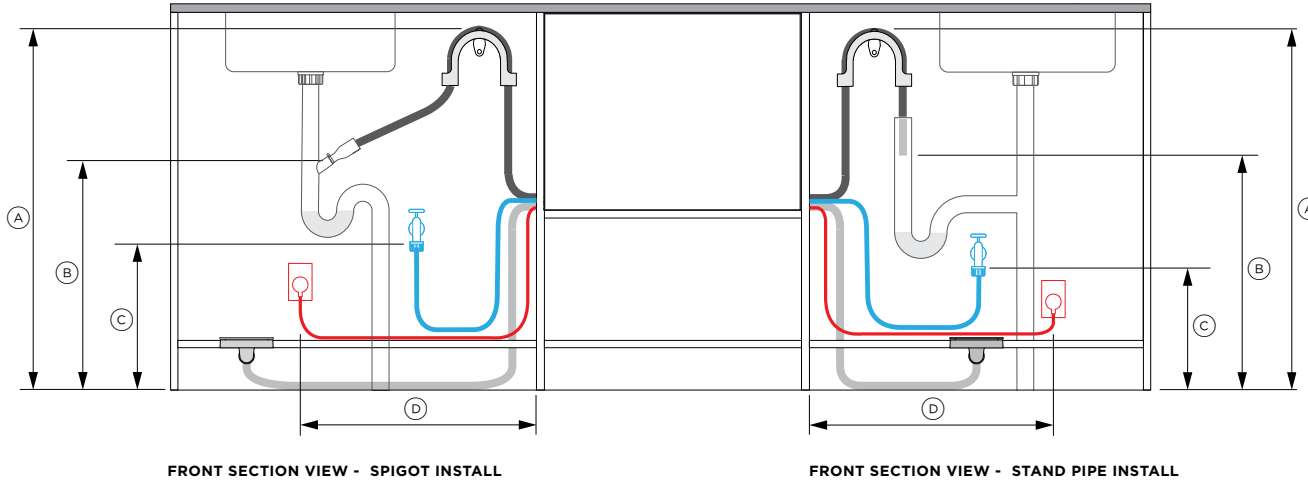
Dimensions	mm
Ⓐ Duct cut out width	100
Ⓑ Duct cut out length	220
Ⓒ Minimum toe kick height	100
Ⓓ Minimum toe kick depth	60
Ⓔ Optimal distance to frame	25



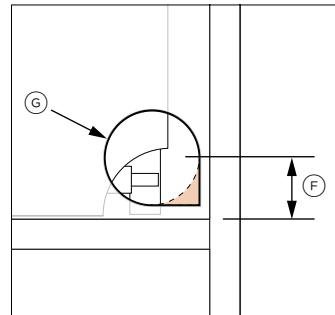
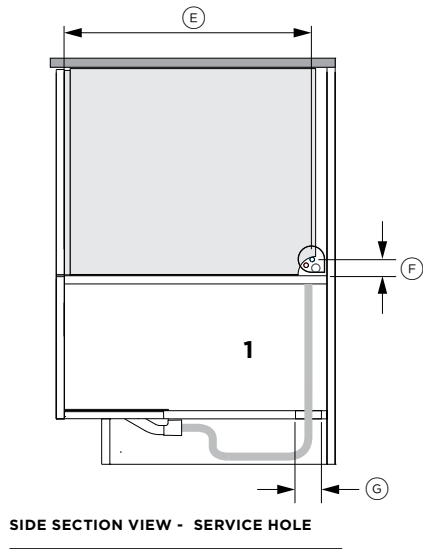
The models shown in this Planning Guide may not be available in all markets and are subject to change at any time. Product specifications may vary from those shown. This Planning Guide should not be used as installation guidance for any product. Further information is required to safely and correctly install the products featured here. Specific installation guidance will be available with the product on delivery and on our website fisherpaykel.com

SERVICES

SERVICES | SERVICE SPECIFICATIONS

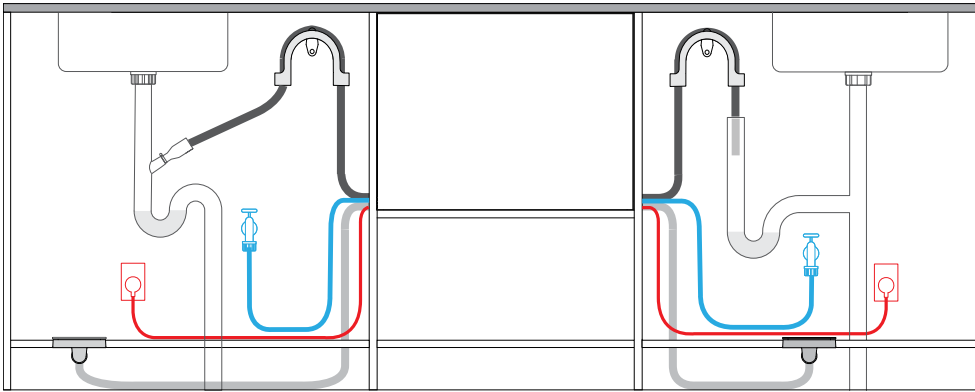


Service dimensions		mm
Ⓐ	Minimum distance from floor to top of hose support	750
Ⓑ	Minimum distance from floor to end of drain hoses*	500
Ⓒ	Minimum distance from floor to inlet hose connection	200
Ⓓ	Maximum distance from cabinetry to the centre of electrical outlet	450
*Distances are the same for standpipe and waste tee installation.		
Minimum service hole dimensions		mm
Ⓔ	Minimum distance between front of product* and center of service hole	538
Ⓕ	Minimum distance between top of chassis and center of service hole	38
Ⓖ	Minimum diameter of all service holes	57
*Not including dishwasher panels		



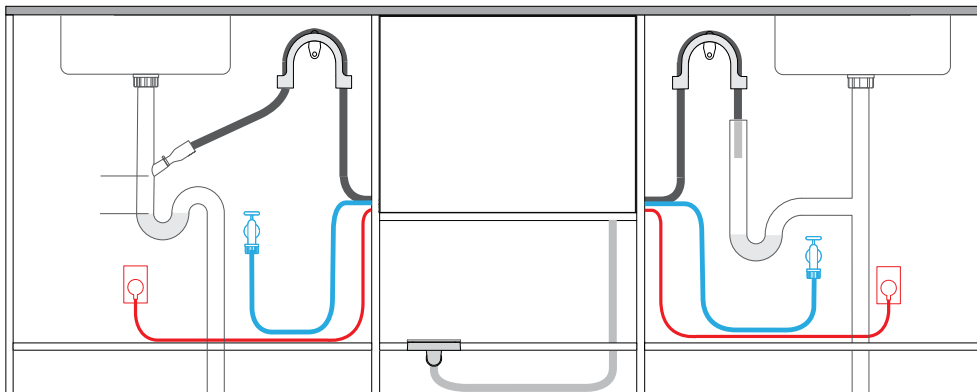
If venting vent hose is routed through the service hole, the corner must be cut out.

The models shown in this Planning Guide may not be available in all markets and are subject to change at any time. Product specifications may vary from those shown. This Planning Guide should not be used as installation guidance for any product. Further information is required to safely and correctly install the products featured here. Specific installation guidance will be available on our website fisherpaykel.com



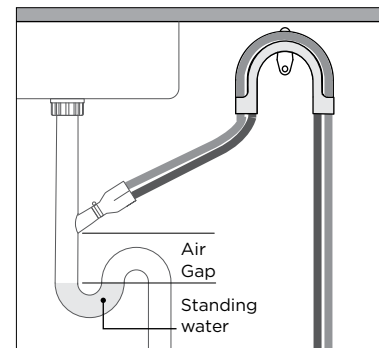
FRONT SECTION VIEW - VENT DUCT THROUGH TOE KICK

Services can be routed left or right into the adjacent cabinet. Drainage can be routed to a spigot or stand pipe.



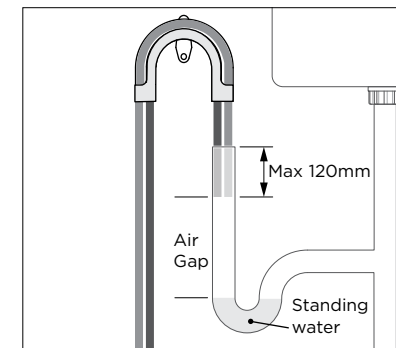
FRONT SECTION VIEW - VENT DUCT UNDER DISHWASHER

If venting under the dishwasher, the hose service hole must be large enough to rotate the vent pipe when the dishwasher is installed.



DETAIL VIEW - SPIGOT INSTALL

Spigot must be installed above the standing water with an air gap in between.



DETAIL VIEW - STAND PIPE INSTALL

Drain must be installed no more than 120mm into the stand pipe with an air gap between drain ends and standing water.

SERVICE REQUIREMENTS

The drain hose support should be placed as close to the underside of the counter top as possible.

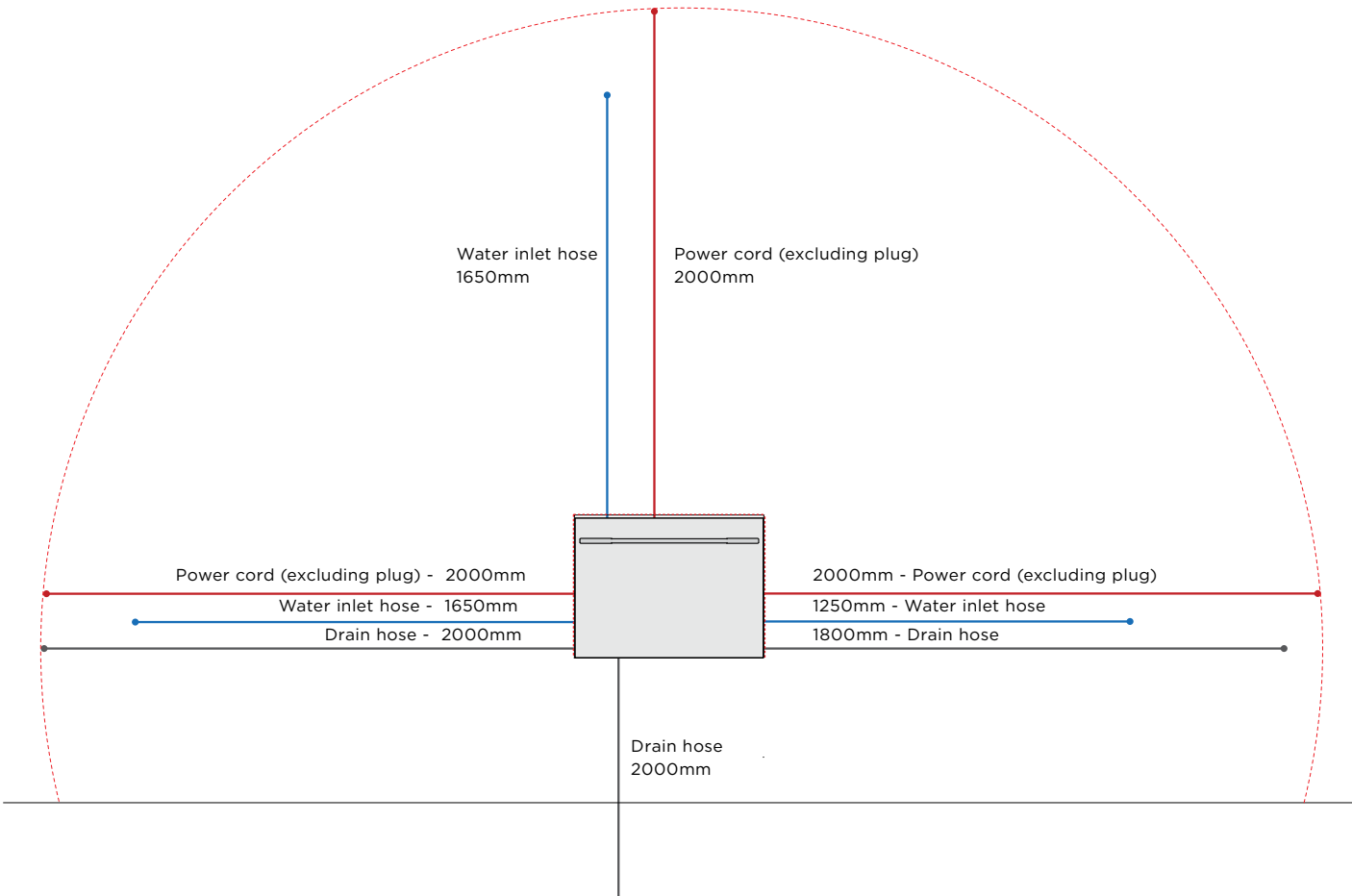
Drain hoses must be installed higher than standing water with an air gap between to avoid drainage issues. Hoses can be shortened to achieve the air gap.

Hoses must not extend into a standpipe more than 120mm

Drain pipes can be placed in a stand pipe or a waste tee.

Ensure that cabinet supports or other obstructions are not placed inside the cavity if the depth is minimum 578mm.

If the drain hoses supplied are not long enough to reach your services, a Fisher & Paykel drain hose extension kit is available which will extend the drain hoses by 3.6m (part number 525798).



Electrical and plumbing specifications

DD60ST19, DD60SHT19, DD60SH19, DD60SI19

Electrical

Supply	220 - 240V
Service	Min 4.2A

Plumbing

Supply	3/4" BSP (GB20) to suit flat washer
Pressure	
Water softener models (DD60SHT19, DD60SH19)	Min. 0.1 MPa (14.5 psi) Max. 1 MPa (145 psi)
Non water softener models (DD60ST19, DD60SI19)	Min. 0.03 MPa (4.3 psi) Max. 1 MPa (145 psi)
Recommended temperature	Cold (max 60°C)

Hose and cord lengths

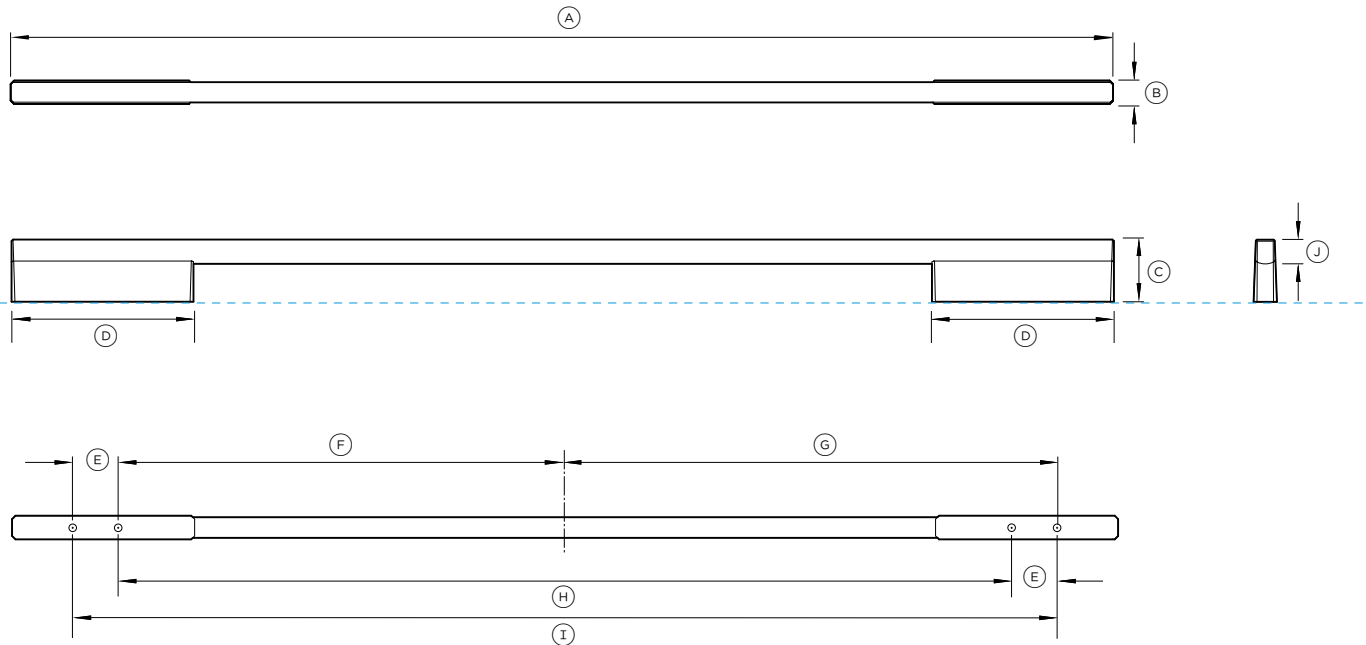
	mm
Drain hoses*	2000
Water inlet	1650
Power	2000

*The Fisher & Paykel 3.6m drain hose extension kit (part number 525798) is available for purchase from fisherpaykel.com

- INDICATES CABINETY / PRODUCT DATUM
- INDICATES CABINETY CLEARANCES
- INDICATES CUTOUT

IMPORTANT NOTE: Throughout this guide, dimensions may vary by ±2mm (1/16"). Please read the installation manual for detailed information on installing the product. For full installation instructions & specifications visit fisherpaykel.com

DATA SHEETS: HANDLES



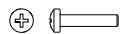
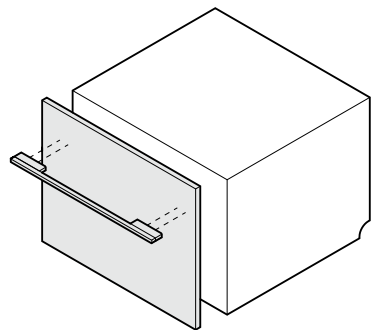
Model no:
 Square Fine Handle AHD5-OBDD-60SX
 Black Square Fine Handle AHD5-OBDD-60SB

Compatible with drawer panel kits:
 Square Fine Handle for Drawer Panel Kits ADDD60SPX, ADDD60STPX
 Black Square Fine Handle for Drawer Panel Kits ADDD60SPB, ADDD60STPB
 Custom Drawer Panels

Handle Dimensions	mm
A Overall length of handle	565
B Overall depth of handle	15
C Overall height of handle	41
D Length of off-stand	100
E Distance between attachment holes between each off-stand	32
F Distance from centreline to inner attachment holes	216
G Distance from centreline to outer attachment holes	248.5
H Distance between inner attachment holes	432
I Distance between outer attachment holes	497
J Thickness of handle rail	16

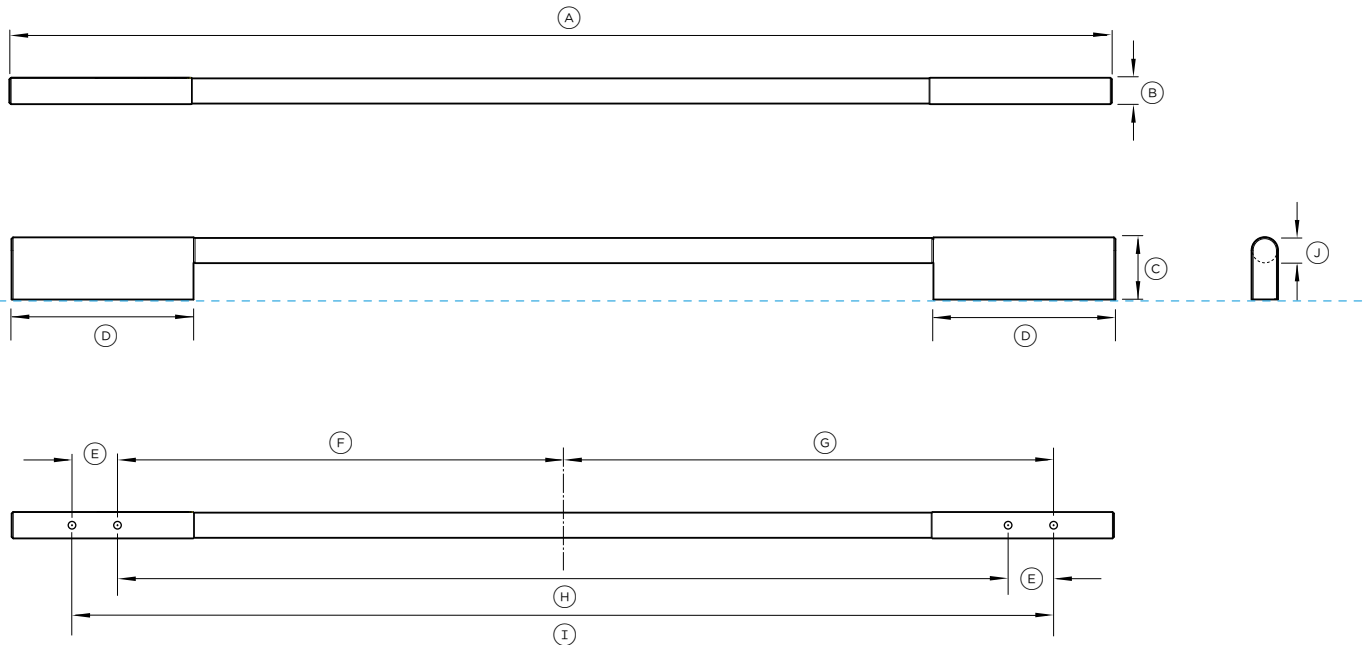
*Suits standard 19mm drawer panel. Thicker drawer panels may require counter boring or longer screws.

Note: Single Dishwasher requires one handle kit. Double Dishwasher requires two handle kits.



M6 X 25mm Pan Head Socket Screw (2 per handle)

IMPORTANT NOTE: Throughout this guide, dimensions may vary by ±2mm (1/16"). Please read the Installation Guide for detailed information on installing the product. For full installation instructions visit fisherpaykel.com



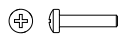
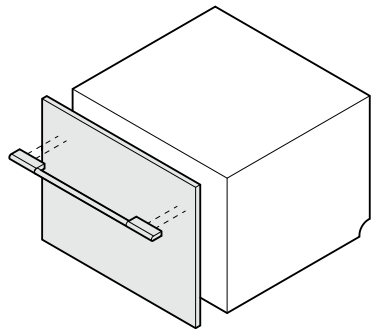
Model no:
Round Handle AHS-OBDD-60S

Compatible with drawer panel kits:
Round Handle for Drawer Panel Kits ADDD60SPX, ADDD60STPX
Custom Drawer Panels

Handle Dimensions	mm
A Overall length of handle	565
B Overall depth of handle	17
C Overall height of handle	41
D Length of off-stand	100
E Distance between attachment holes between each off-stand	32
F Distance from centreline to inner attachment holes	216
G Distance from centreline to outer attachment holes	248.5
H Distance between inner attachment holes	432
I Distance between outer attachment holes	497
J Thickness of handle rail	16

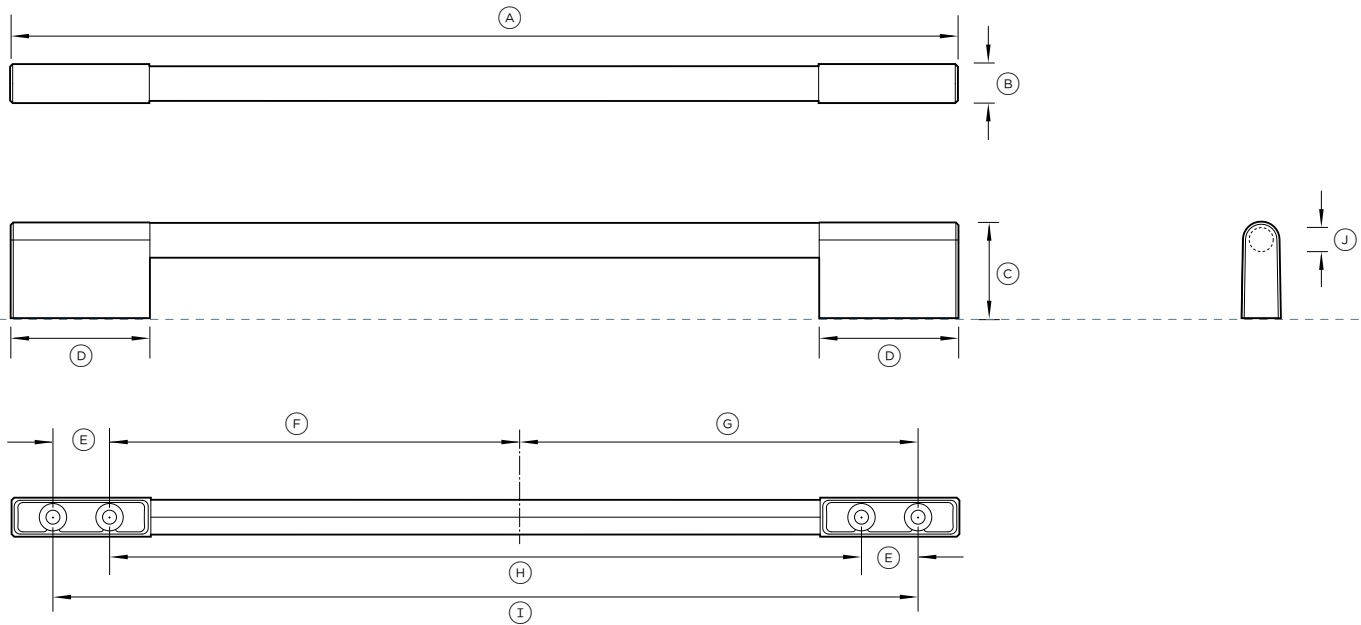
*Suits standard 19mm drawer panel. Thicker drawer panels may require counter boring or longer screws.

Note: Single Dishwasher requires one handle kit. Double Dishwasher requires two handle kits.



M6 X 25mm Pan Head Socket Screw (2 per handle)

IMPORTANT NOTE: Throughout this guide, dimensions may vary by ±2mm (1/16"). Please read the Installation Guide for detailed information on installing the product. For full installation instructions visit fisherpaykel.com



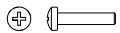
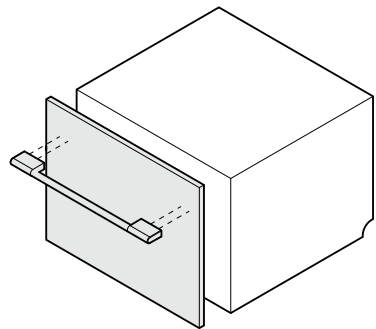
Model no:
Classic Round Handle AHCL-DDDW-60X

Compatible with drawer panel kits:
Classic Round Handle for Drawer Panel Kits ADDD60SPX, ADDD60STPX
Custom Drawer Panels

Handle Dimensions	mm
Ⓐ Overall length of handle	544
Ⓑ Overall depth of handle	22
Ⓒ Overall height of handle	55
Ⓓ Length of off-stand	80
Ⓔ Distance between attachment holes between each off-stand	32
Ⓕ Distance from centreline to inner attachment holes	216
Ⓖ Distance from centreline to outer attachment holes	248.5
Ⓜ Distance between inner attachment holes	432
Ⓨ Distance between outer attachment holes	497
Ⓩ Diameter of handle rail	20

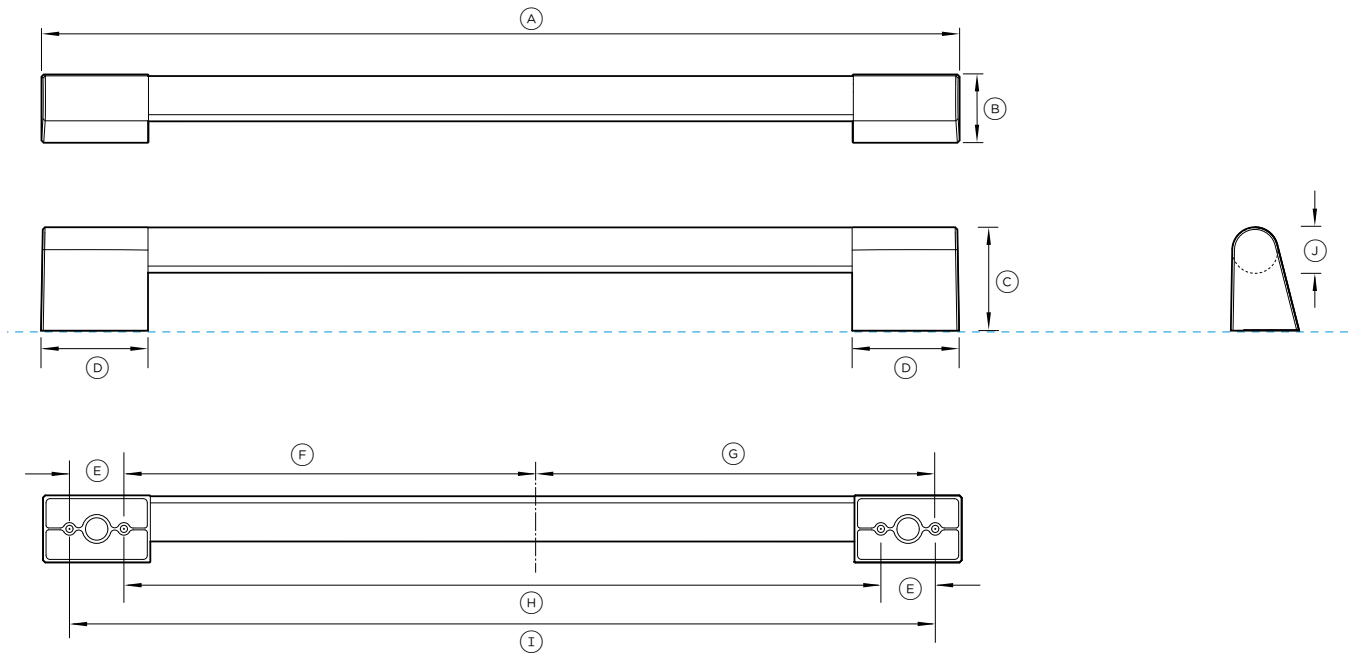
*Suits standard 19mm drawer panel. Thicker drawer panels may require counter boring or longer screws.

Note: Single Dishwasher requires one handle kit. Double Dishwasher requires two handle kits.



M6 X 25mm Pan Head Socket Screw (2 per handle)

IMPORTANT NOTE: Throughout this guide, dimensions may vary by ±2mm (1/16"). Please read the Installation Guide for detailed information on installing the product. For full installation instructions visit fisherpaykel.com



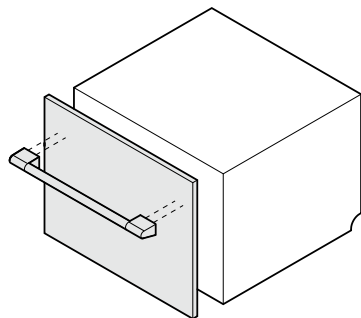
Model no:
Professional Round Flush Handle AHP3-DWDD-60S

Compatible with drawer panel kits:
Professional Flush Handle for drawer Panel Kits ADDD60SPX, ADDD60STPX
Custom Drawer Panels

Handle Dimensions	mm
Ⓐ Overall length of handle	515
Ⓑ Overall depth of handle	38
Ⓒ Overall height of handle	58
Ⓓ Length of off-stand	60
Ⓔ Distance between attachment holes between each off-stand	32
Ⓕ Distance from centreline to inner attachment holes	216
Ⓖ Distance from centreline to outer attachment holes	248.5
Ⓗ Distance between inner attachment holes	432
Ⓘ Distance between outer attachment holes	497
⓵ Diameter of handle rail	25

*Suits standard 19mm drawer panel. Thicker drawer panels may require counter boring or longer screws.

Note: Single Dishwasher requires one handle kit. Double Dishwasher requires two handle kits.



M6 X 25mm Pan Head Socket Screw (2 per handle)

IMPORTANT NOTE: Throughout this guide, dimensions may vary by ±2mm (1/16"). Please read the Installation Guide for detailed information on installing the product. For full installation instructions visit fisherpaykel.com

