

FISHER & PAYKEL

DATA SHEET

Wall Range Hood, 30", Box Chimney

Model nos:

HC30DCXB4

(refer pages 3-4 for metrical measurements)

Product Dimensions

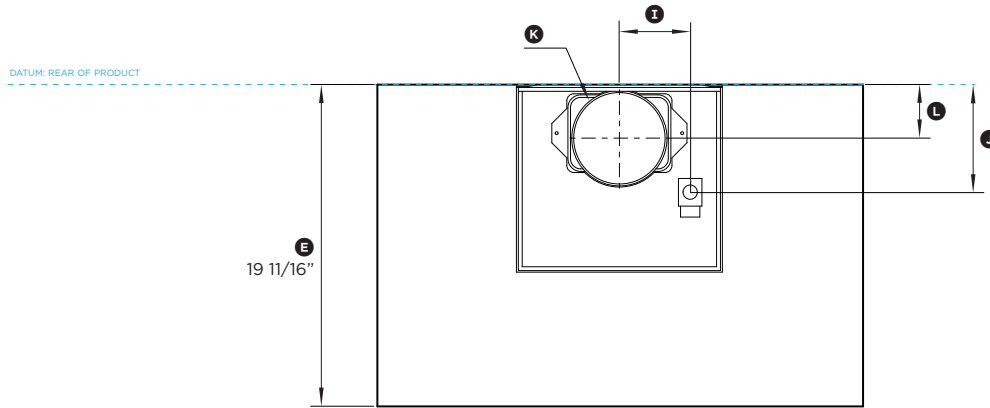
	In
Ⓐ Maximum height of range hood*	40 3/4"
Ⓑ Minimum overall height - recirculating	26 9/16"
Ⓒ Minimum overall height	25"
Ⓓ Overall width of range hood	29 3/4"
Ⓔ Overall depth of range hood	19 11/16"
Ⓕ Height of canopy	2 3/16"
Ⓖ Width of chimney	12 5/8"
Ⓗ Depth of chimney	11 7/16"
Ⓚ Distance from center plane to hard wiring box center	4 5/16"
Ⓛ Distance from back of product to center of wiring box	6 9/16"
Ⓜ Ducting outlet diameter	6"
Ⓝ Distance from center of ducting outlet to back of product	3 1/4"
Ⓞ Height of datum to top of lower chimney section	23 7/16"

* Maximum height with chimney extension accessories 55 1/8"

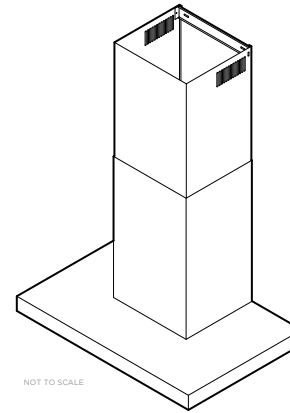
Minimum distance above cooktops

	In
Height from base of product to cooking surface	min 24"

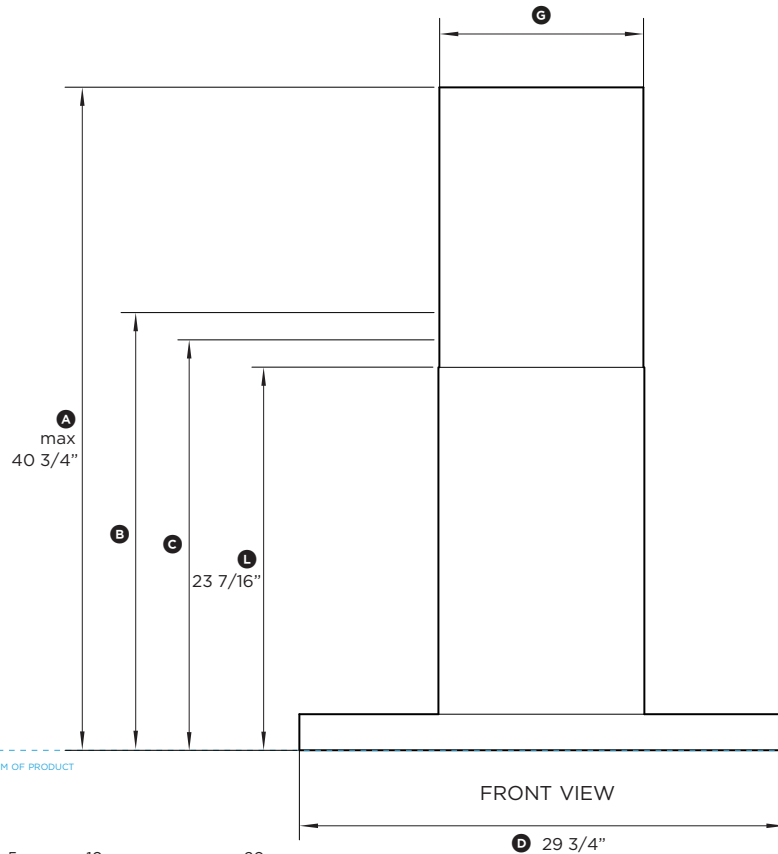
Note: Minimum installation height may be greater if required by your cooktop. Refer to cooktop installation instructions.



TOP VIEW

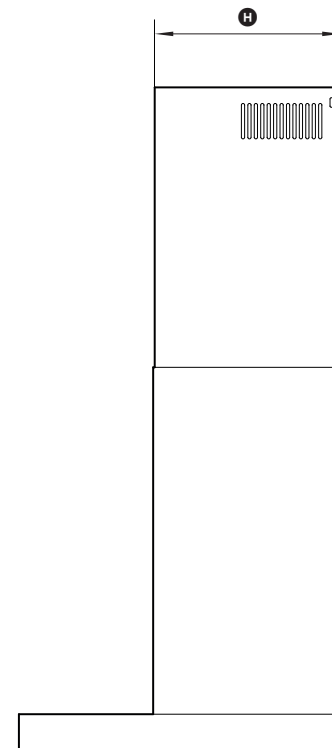


NOT TO SCALE

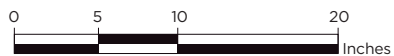


FRONT VIEW

DATUM: REAR OF PRODUCT



PROFILE VIEW



INDICATES PRODUCT DATUM -----
INDICATES CABINETY CLEARANCES -----

DATE: 24.08.2023

90003064A

IMPORTANT NOTE: Throughout this guide, dimensions may vary by ±2mm (1/16"). Please read the installation guide for detailed information on installing the product. For full installation instructions & specifications visit fisherpaykel.com

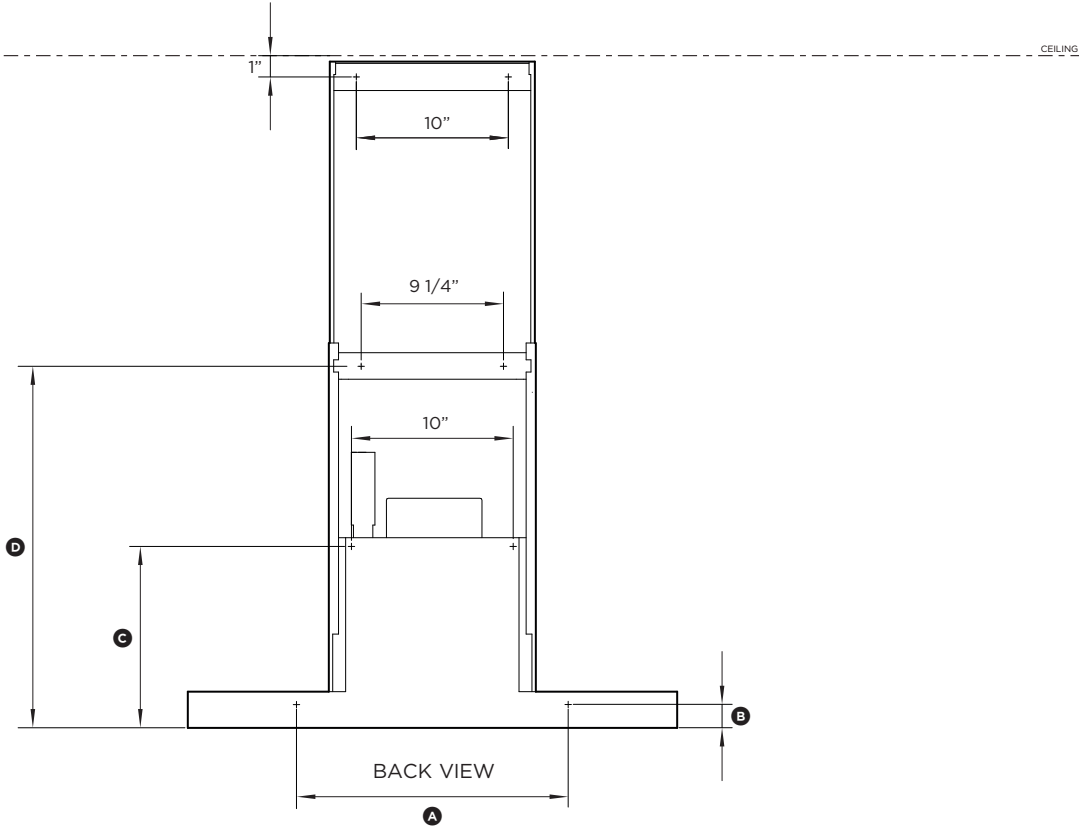
FISHER & PAYKEL

DATA SHEET

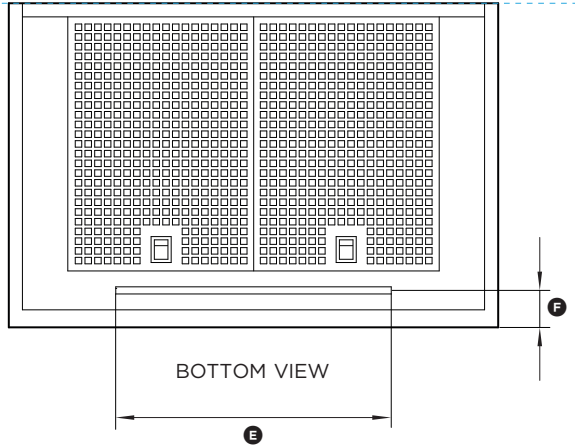
Wall Range Hood, 30", Box Chimney

Model nos:
 HC30DCXB4
 (refer pages 3-4 for metrical measurements)

Product Dimensions	In
Ⓐ Lower range hood attachment point width	19 5/16"
Ⓑ Lower range hood attachment point height	1 7/16"
Ⓒ Upper range hood attachment point height	11 5/16"
Ⓓ Chimney bracket attachment point height	22 3/16"
Ⓔ Light length	16 3/4"
Ⓕ Distance from center of light to front of product	2 3/16"



DATUM: REAR OF PRODUCT



INDICATES PRODUCT DATUM -----
 INDICATES CABINETY CLEARANCES -----

DATE: 24.08.2023

90003064A

IMPORTANT NOTE: Throughout this guide, dimensions may vary by ±2mm (1/16"). Please read the installation guide for detailed information on installing the product. For full installation instructions & specifications visit fisherpaykel.com

FISHER & PAYKEL

DATA SHEET

Wall Range Hood, 30", Box Chimney

Model nos:

HC30DCXB4

(refer pages 1-2 for imperial measurements)

Product Dimensions

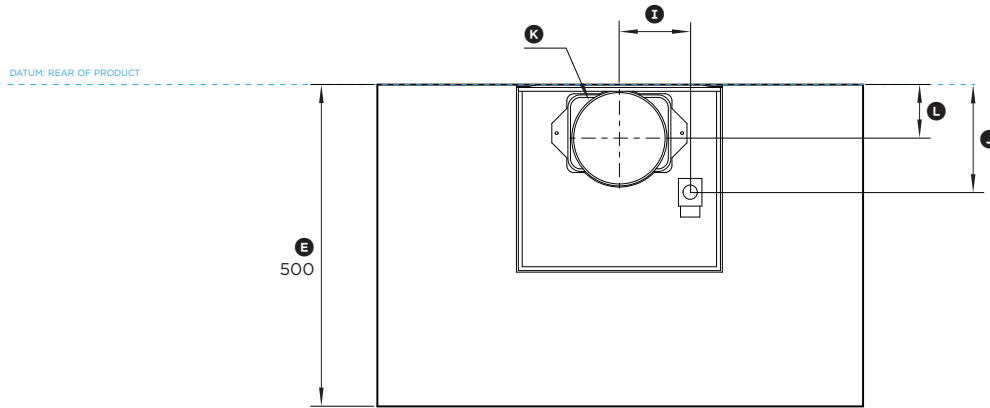
	mm
Ⓐ Maximum height of range hood*	1035
Ⓑ Minimum overall height - recirculating	675
Ⓒ Minimum overall height	635
Ⓓ Overall width of range hood	755
Ⓔ Overall depth of range hood	500
Ⓕ Height of canopy	55
Ⓖ Width of chimney	320
Ⓗ Depth of chimney	290
Ⓛ Distance from center plane to hard wiring box center	110
Ⓜ Distance from back of product to center of wiring box	166
Ⓝ Ducting outlet diameter	150
Ⓟ Distance from center of ducting outlet to back of product	82
Ⓠ Height of datum to top of lower chimney section	595

* Maximum height with chimney extension accessories 1400mm.

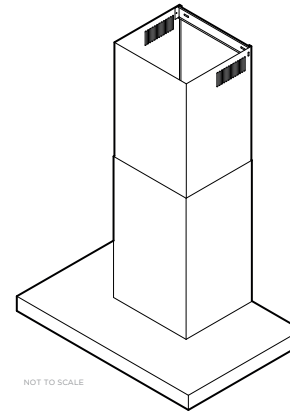
Minimum distance above cooktops

	mm
Height from base of product to cooking surface	min 610

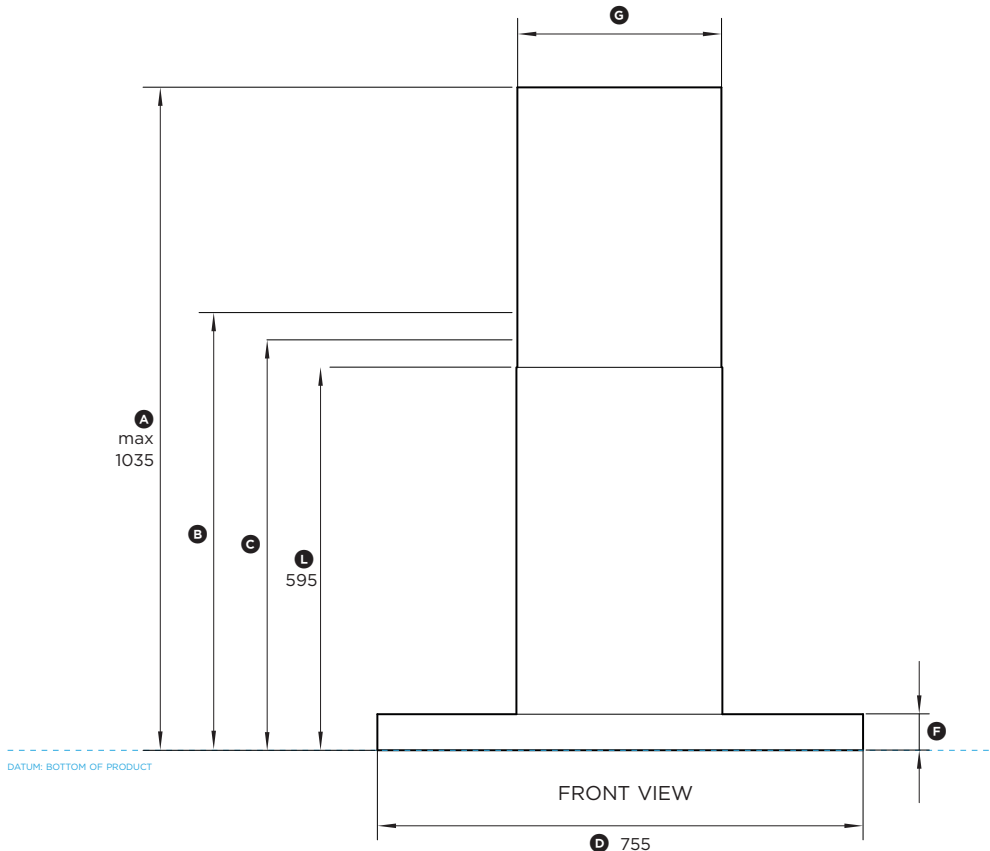
Note: Minimum installation height may be greater if required by your cooktop. Refer to cooktop installation instructions.



TOP VIEW

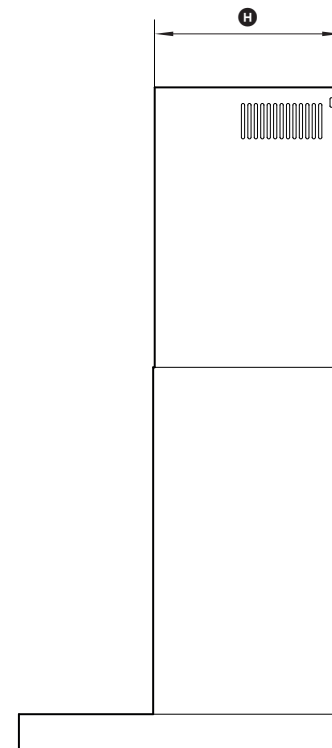


NOT TO SCALE



FRONT VIEW

DATUM: REAR OF PRODUCT



PROFILE VIEW

DATUM: BOTTOM OF PRODUCT



INDICATES PRODUCT DATUM
INDICATES CABINETS CLEARANCES

DATE: 24.08.2023

90003064A

IMPORTANT NOTE: Throughout this guide, dimensions may vary by ±2mm (1/16"). Please read the installation guide for detailed information on installing the product. For full installation instructions & specifications visit fisherpaykel.com

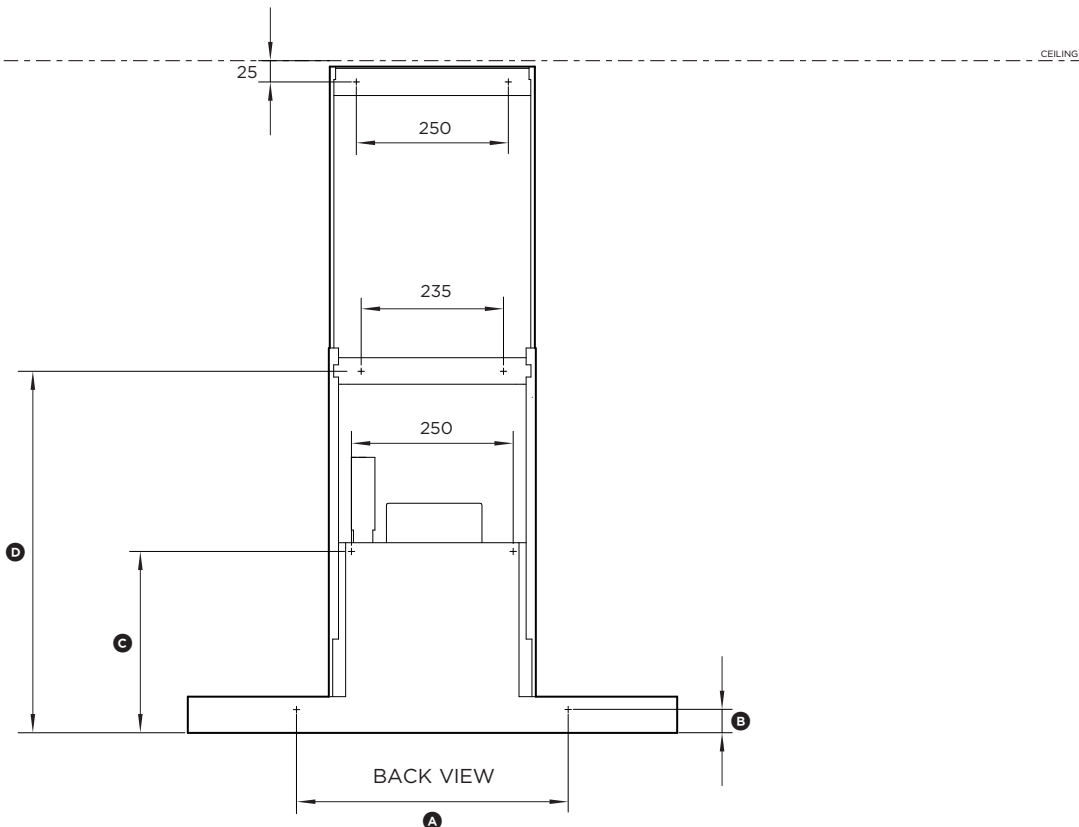
FISHER & PAYKEL

DATA SHEET

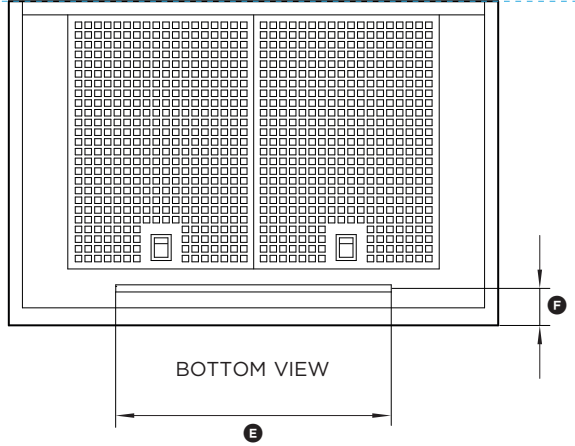
Wall Range Hood, 30", Box Chimney

Model nos:
 HC30DCXB4
 (refer pages 1-2 for imperial measurements)

Product Dimensions	mm
Ⓐ Lower range hood attachment point width	490
Ⓑ Lower range hood attachment point height	36
Ⓒ Upper range hood attachment point height	288
Ⓓ Chimney bracket attachment point height	564
Ⓔ Light length	425
Ⓕ Distance from center of light to front of product	55



DATUM: REAR OF PRODUCT



INDICATES PRODUCT DATUM -----
 INDICATES CABINETS CLEARANCES -----

DATE: 24.08.2023 90003064A

IMPORTANT NOTE: Throughout this guide, dimensions may vary by ±2mm (1/16"). Please read the installation guide for detailed information on installing the product. For full installation instructions & specifications visit fisherpaykel.com