
DISHDRAWER™ DISHWASHER INSTALLATION GUIDE

Components required	3
Accessing your product specifications	4
Prior to installation	6
Prepare dishwasher	12
Install dishwasher	18
Prepare custom panels	21
Complete dishwasher installation	31
Check panel face alignment	37
Install toe kick	39
Connect services	45
Installer checklist	50

FISHER & PAYKEL

NZ AU UK IE SG ASIA

592363B 05.25

INTEGRATED DISHDRAWER™ DISHWASHER

DD60DTX611, DD60DTX6H11

COMPONENTS REQUIRED

TOOLS

Supplied

- 4x Spacer sets
- 4x 0.5mm Shims
- 6x .75mm Shims
- 1x Foot adjusting tool

Not supplied

- Box cutter
- Cross head screwdriver
- Flat blade screw driver
- Drill
- 1x 13mm Drill bit
- 1x 2.5mm Drill bit
- Level
- Pliers
- Pencil

PARTS

Supplied and required

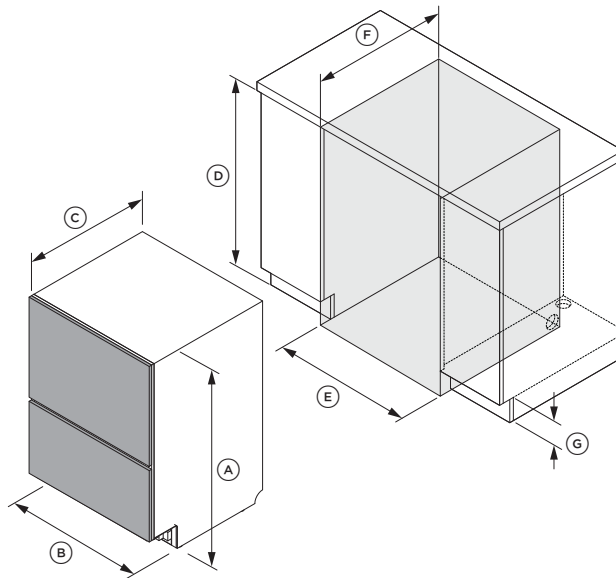
- | | |
|---|--|
| <input type="checkbox"/> 4x Side mounting brackets | <input type="checkbox"/> 1x Drain hose support |
| <input type="checkbox"/> 2x Top mounting brackets | <input type="checkbox"/> 1x Drain hose joiner |
| <input type="checkbox"/> 1x Moisture protection tape | <input type="checkbox"/> 2x Wire clip |
| <input type="checkbox"/> 32x 16mm Cross head screws | <input type="checkbox"/> 1x Clamp |
| <input type="checkbox"/> 2x pre-finished toe kick panel | |

ACCESSING YOUR PRODUCT SPECIFICATIONS



For full product, cabinetry and service specifications, refer to the Planning Guide. To access the Planning Guide, scan the QR code or visit fisherpaykel.com/specify. Search by appliance type, product name or model code.

For installation support please contact the Fisher & Paykel design support team at designsupport@fisherpaykel.com



Dimensions

mm

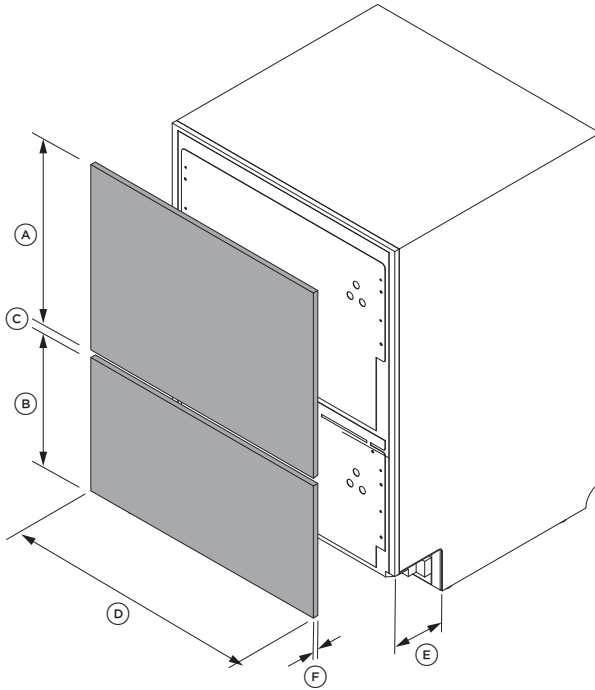
Ⓐ Overall height (includes feet)	867 - 925
Ⓑ Chassis width	599
Ⓒ Chassis depth*	553
Ⓓ Cavity height	869 - 927
Ⓔ Cavity minimum width	600
Ⓕ Cavity minimum depth**	578
Ⓖ Toe kick height	45 - 123

*Excludes custom or pre-finished drawer panels. **Assumes 18mm door panels. Note: A 2mm clearance gap is required between the dishwasher drawer panels and surrounding cabinet panels.

ACCESSING YOUR PRODUCT SPECIFICATIONS

Ensure there is a small gap between the custom panel and any cabinetry behind it to maintain a proper seal in the dishwasher.

This prevents moisture escape and condensation, which can damage the custom panel.



Custom Panel Dimensions	mm
(A) Top panel minimum height	442
(B) Bottom panel minimum height	311
(C) Minimum Gap between drawer panels*	8
(D) Minimum panel width	596
(E) Custom panel toe kick depth**	40 - 100
(F) Panel thickness***	16 - 20
Maximum bottom panel lower extension	50

*The minimum gap of 8 mm must be ensured to avoid condensation issues. **Pre-finished toe kick depth is 40-120mm

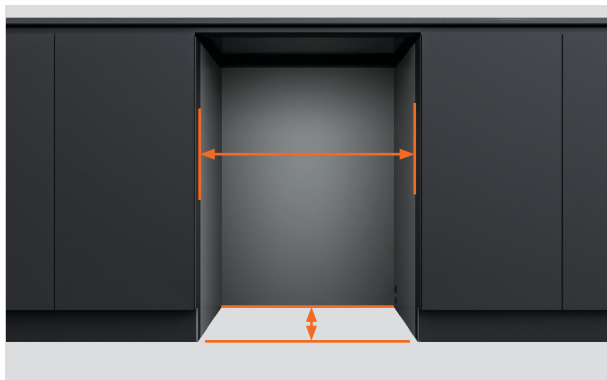
***Guide assumes 18mm door panels.

PRIOR TO INSTALLATION



fisherpaykel.com/specify

1. Refer to the Planning Guide for cabinetry, cavity, panel and service specifications.



2. Ensure the cabinet meets the minimum cavity specifications required.

Check that the cabinet sides are square.



3. If the cavity is too wide, add material to the sides to allow the dishwasher to be secured.

See the planning guide for details.

PRIOR TO INSTALLATION



4. Check that the cabinet is level.



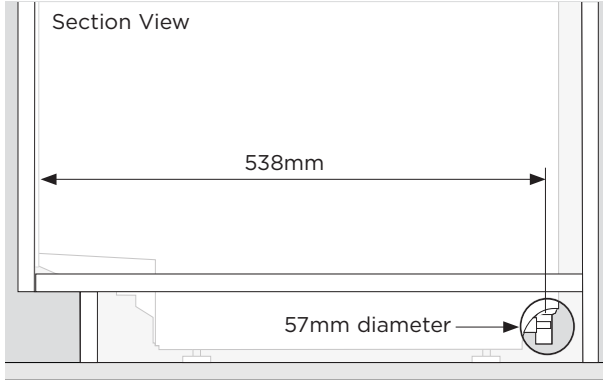
5. The power plug should be accessible after installation for maintenance.



6. Service holes can be routed from the dishwasher cavity, into the toe kick space. Then through to the adjacent cavity.

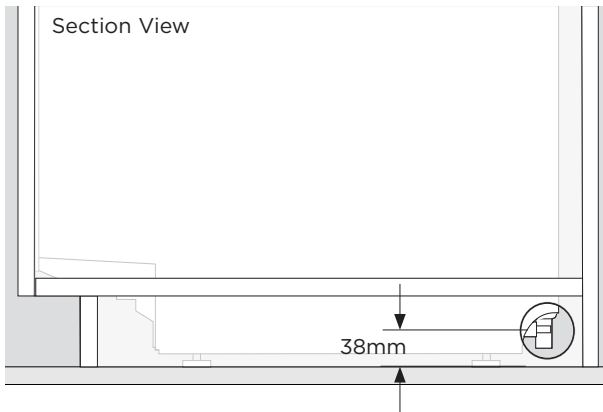
PRIOR TO INSTALLATION - SERVICES

Refer to the Planning Guide at fisherpaykel.com for service options.

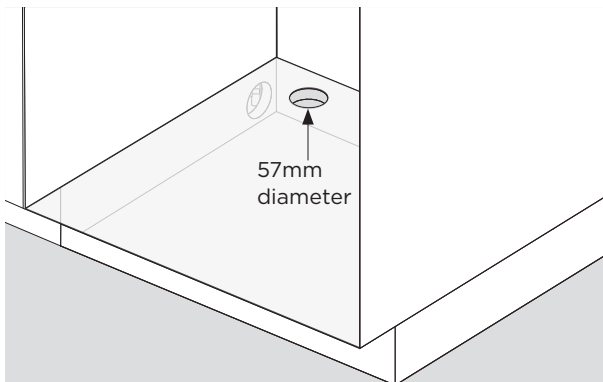


1. A minimum 57mm diameter service hole is required in the cabinet side.

The center of the hole should be a minimum of 538mm from the front of the dishwasher chassis.



2. The center of the hole should be a maximum of 38mm from the floor or the bottom of dishwasher feet.

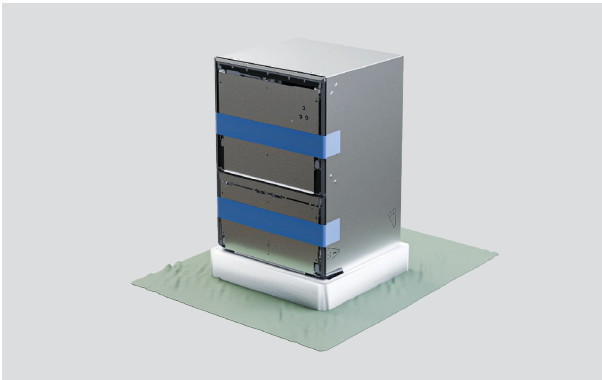


3. A 57mm diameter service hole is required in the adjacent cabinet shelf.

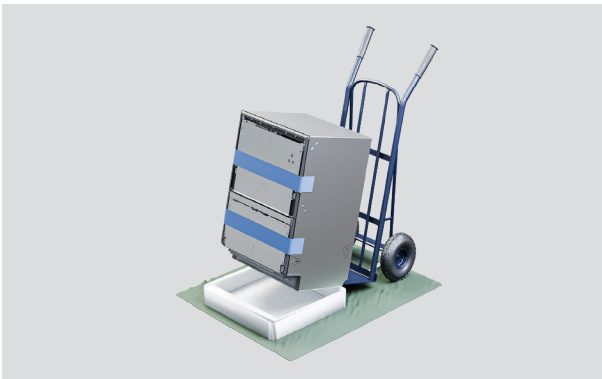
UNPACK ALL PRODUCTS



1. Remove the plastic wrap.



2. Protect flooring before removing the packing base.



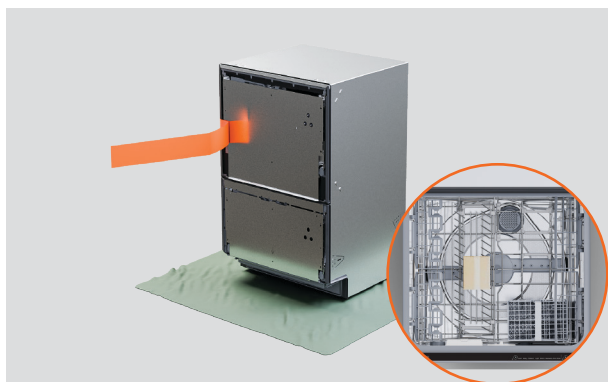
3. To detach the base, use a trolley to lift the dishwasher from the rear, then pull the base off.

UNPACK ALL PRODUCTS

Open the top drawer carefully to prevent the dishwasher tipping.



4. Do not remove the door brackets from the dishwasher front.



5. Peel the tape from the top drawer and remove accessories, and installation packages. Close the drawer and re-apply the tape.

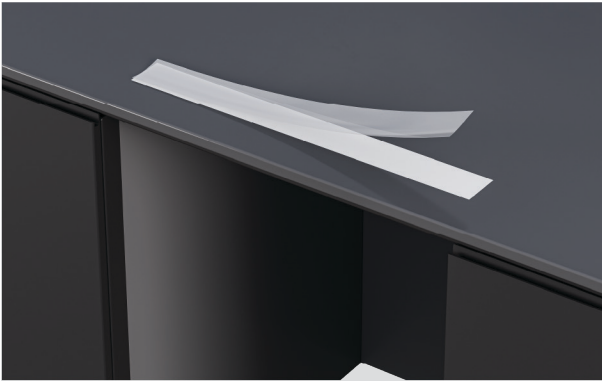


6. Dispose of packaging responsibly.

APPLY SEALING TAPE



1. Ensure underside of countertop is clean and free of dust.



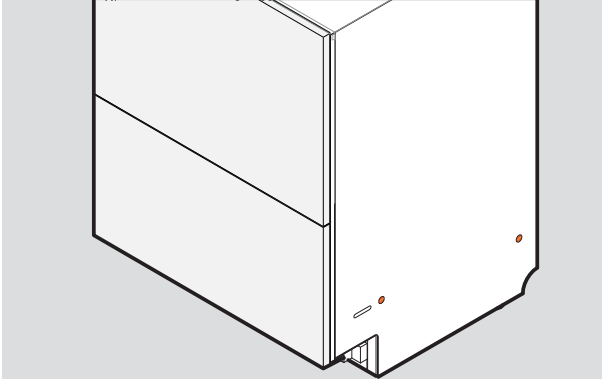
2. Remove backing from tape



3. Apply tape to top edge of cabinet ensuring it is centred and set back 10mm from the front edge.

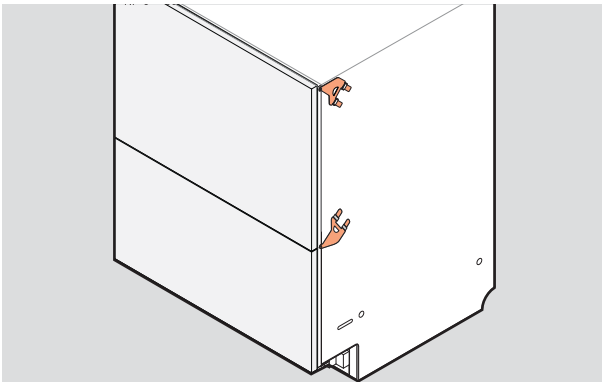
DISHWASHER SECURING OPTIONS

The dishwasher must be secured to stay in place and prevent vibration. Three fixing points on each side of the chassis is recommended.



1. Securing through chassis:

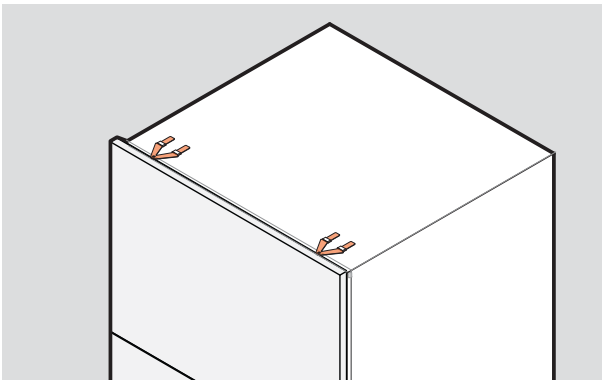
Screws must be fixed through the chassis sides and into the cabinet sides or packers.



2. Securing through side brackets:

Middle or upper bracket sets can be inserted into the chassis sides and fixed to the edges of the cabinet.

Both sets can be used if needed.



3. Securing through top brackets:

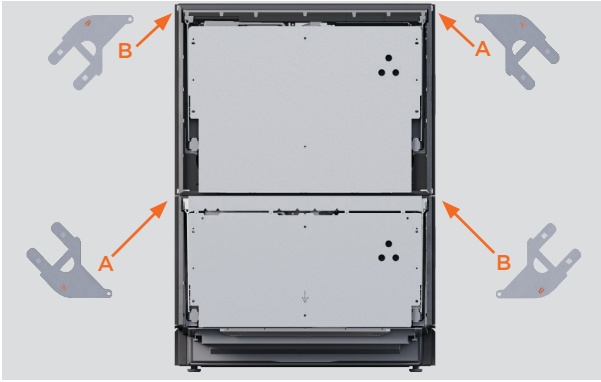
If needed, brackets can be inserted into the chassis top.

These may be used depending on the cabinet or countertop material.

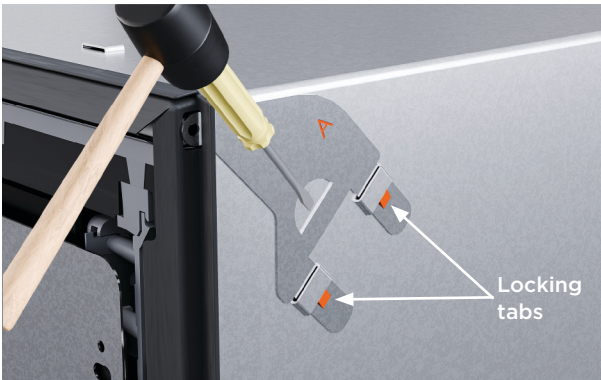
Ensure the screws are flush with the cabinet surface to avoid damaging the drawer panel.

TO ATTACH SIDE BRACKETS

The brackets must lie flat on the chassis with the locking tabs facing out. The locking tabs must be properly inserted through the slots to secure the brackets.



1. Locate the upper and lower bracket sets.



2. If using the upper bracket set, insert into the slots and tap gently with a soft mallet to secure.

Push the screw tab through the gap in the rubber seal.



3. If using the lower bracket set, insert into lower slots and tap gently with a soft mallet to secure.

Push the screw tab through the gap in the rubber seal.

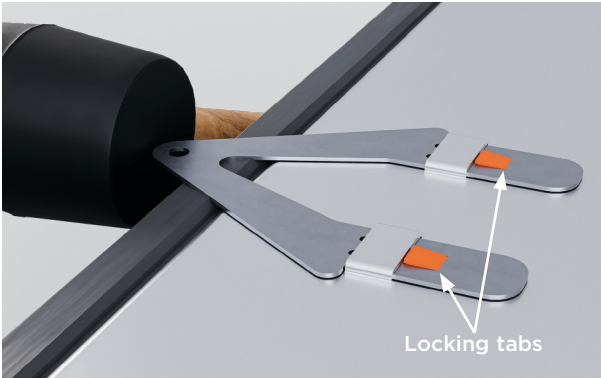
TO ATTACH TOP BRACKETS

Use top brackets if the cabinetry is suitable and the screws heads will be flush to prevent drawer panel damage.

The brackets must lie flat on the chassis with the locking tabs facing out.



1. Place the top brackets into the top tabs.
Push the screw tab through the gap in the rubber seal.

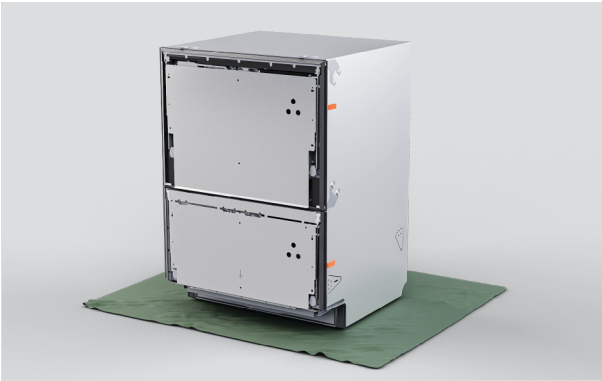


2. If necessary, tap gently with a soft mallet to secure.

ATTACH SPACERS



1. Snap off the four spacers with an adhesive strip.



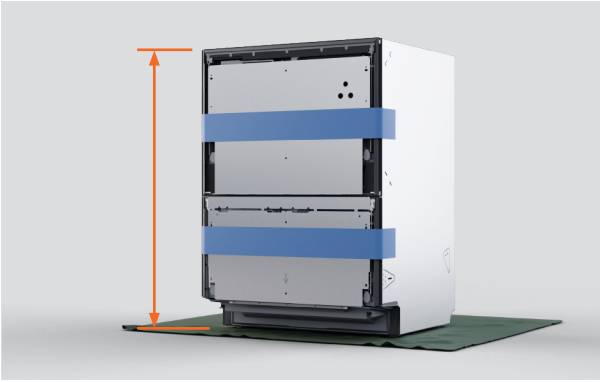
2. Place spacers on each side of the dishwasher between the brackets.



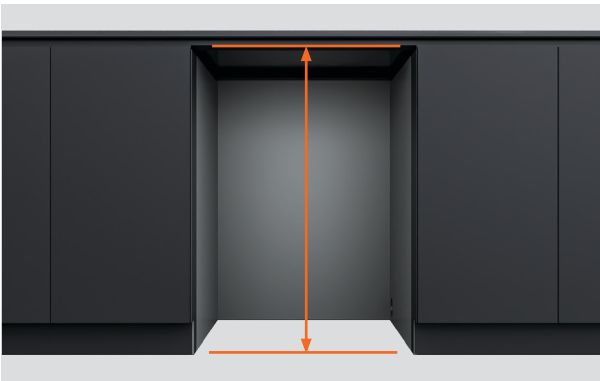
3. If required a larger spacer segment can be snapped on to adjust the thickness.

ADJUST DISHWASHER HEIGHT

Ensure the drawers are secured with tape. Take care not to bend the feet when tilting the dishwasher. Further adjustments will be made once the dishwasher is inside the cavity.



1. Measure the height of the dishwasher from the feet to the top of the chassis.

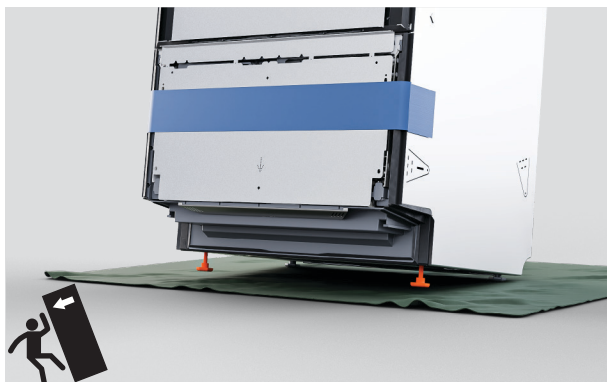


2. Measure the distance from the floor to the underside of the countertop or cavity frame.



3. Adjust the dishwasher height to 3 to 5mm below the cavity height.

ADJUST DISHWASHER HEIGHT



4. Tilt the dishwasher to rest on its back feet and unscrew or tighten the front feet.

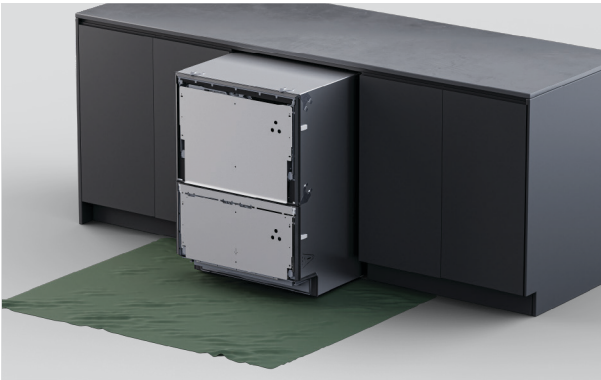


5. Tilt the dishwasher to rest on its front feet and unscrew or tighten the back feet.

PUSH INSIDE CAVITY



1. Place hoses and cords through the service holes and into the adjacent cavity.



2. Carefully push the product into the cavity, feeding the hoses through the service holes as you go.

Avoid crushing or twisting the hoses.

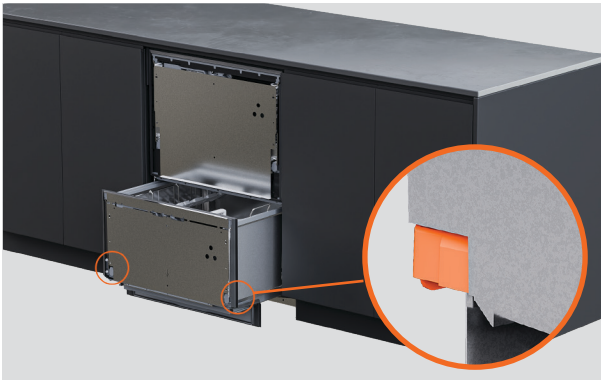
LEVEL THE DISHWASHER

The minimum gap between the drawer panel and countertop or frame is 2mm.



1. Place the top panel onto the door bracket.

Measure the gap between the top of the drawer panel and the countertop or frame for height adjustment.



2. Remove the panel and pull the drawer halfway out to remove the tub.

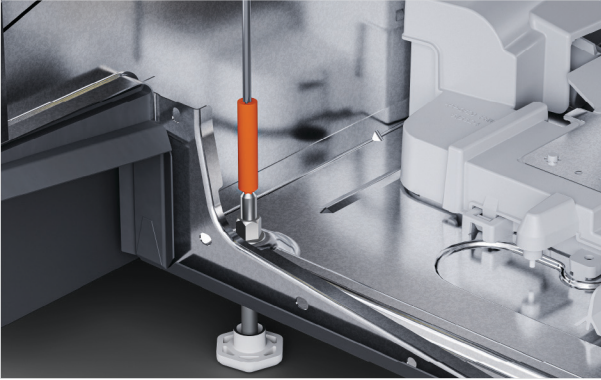
On each side of the lower drawer, push locking tabs back.



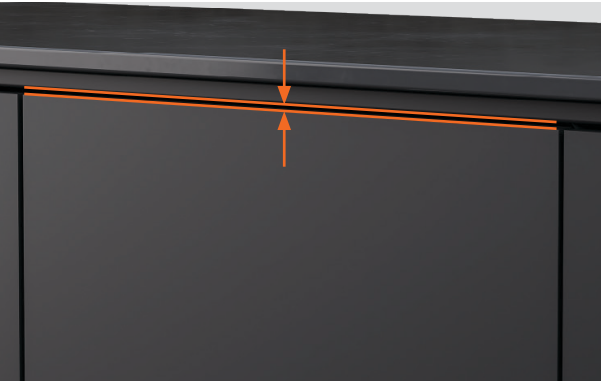
3. Place the drawer on a protected surface to the left of the appliance.

Do not stretch or disconnect the hoses and cords.

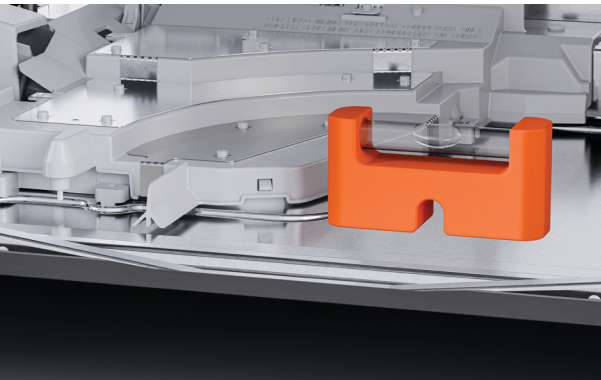
LEVEL THE DISHWASHER



4. Use a screw driver and the supplied tool or a wrench to adjust the height of each leg.



5. Place the top panel onto the dishwasher and check that the panel gap is minimum 2mm. Remove the panel and adjust again if necessary.

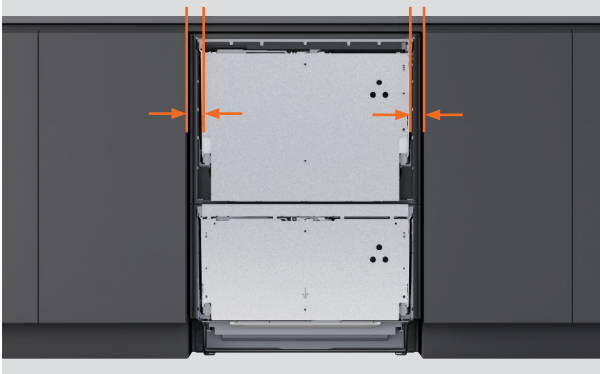


6. Place a level on the flat area of the chassis to check that the dishwasher is level from back to front and left to right.

CUSTOM TOP PANEL: MEASURE

If panels widths or heights are extended over the minimum dimensions, ensure there is a small gap between the custom panel and any cabinetry behind it.

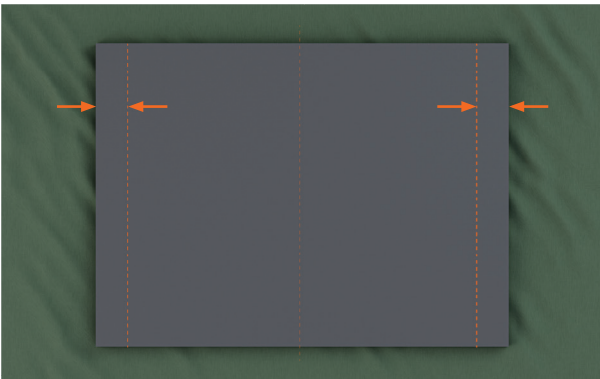
The drawer must seal fully to prevent moisture escape and condensation, which may damage the custom panel.



1. Measure the distance from the adjacent cupboard doors to the edges of the door bracket.

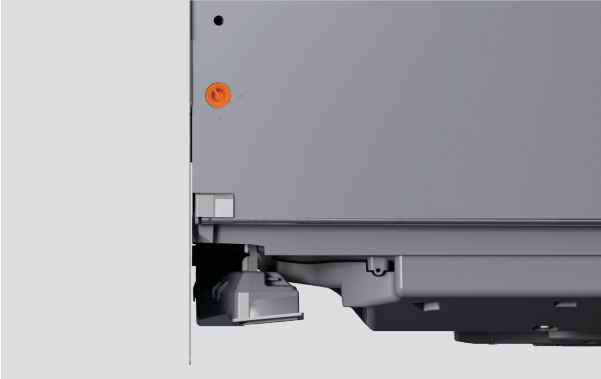


2. Subtract the required gap between the cabinet panels from each measurement.
The minimum required gap to adjacent cabinet doors or drawers is **2mm**.

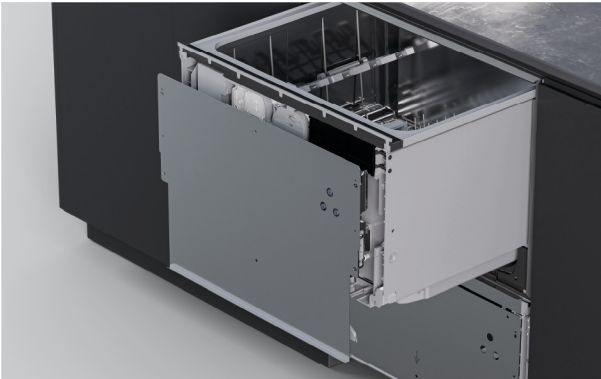


3. Use the final measurements to mark vertical lines on the back of the custom panel.

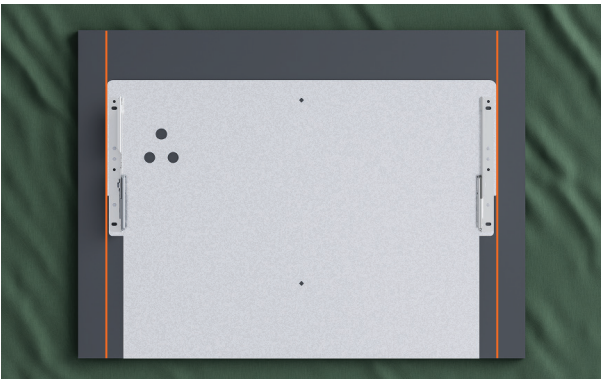
CUSTOM TOP PANEL: ATTACH TO DOOR BRACKET



1. Rotate the drawer bracket pins by a quarter turn.
Use pliers to pull the door pin out.

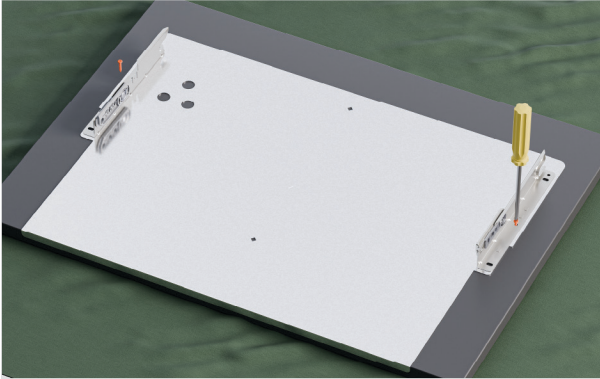


2. Detach the door bracket by pulling down firmly and then angling out.
Disconnect the earth wire from the bracket before removing.



3. Position the door bracket on the custom panel between the marked lines.
Ensure that the bottom of the drawer panel rests on the bracket.

CUSTOM TOP PANEL: ATTACH TO DOOR BRACKET

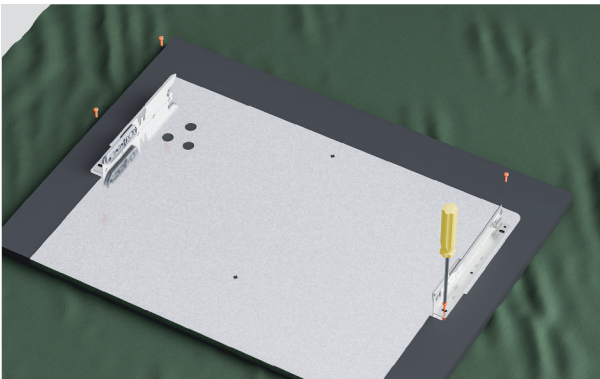


4. Fix one screw in each side through the bracket fixing points.

Pilot holes may be required depending on the panel material.

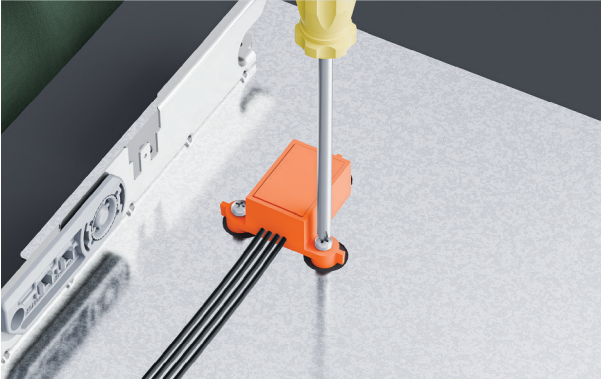


5. Slot panel onto dishwasher. Check gaps between the panel and adjacent cabinet doors are a minimum of **2mm**.

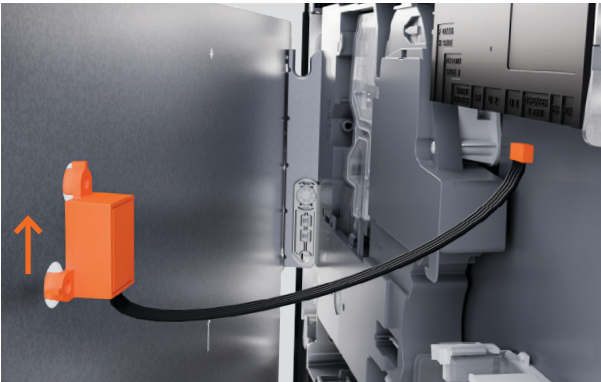


6. Remove the door panel and fix the remaining four screws.

CUSTOM TOP PANEL: INSTALL KNOCK-TO-PAUSE MODULE



1. Secure knock-to-pause module to the panel using the supplied screws.



2. Check that the module is oriented correctly and fixed securely to ensure proper function.

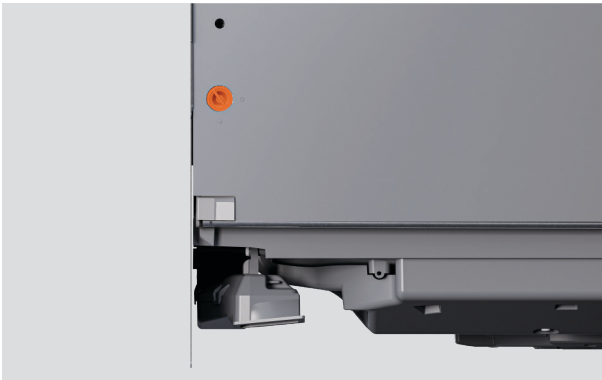


3. Move the panel to the dishwasher.
Plug the knock-to-pause module into the controller.

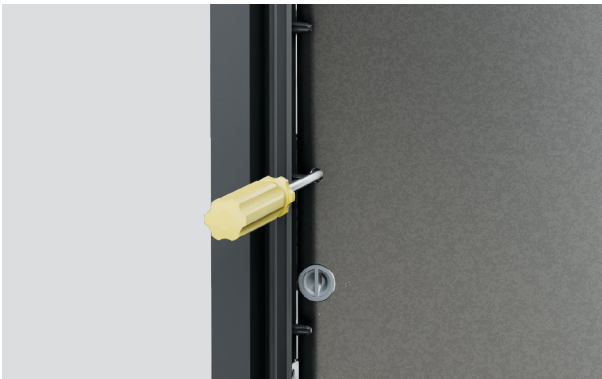
SECURE TOP PANEL



1. ⚠ Attach the earth wire to the door bracket to ensure safe use.



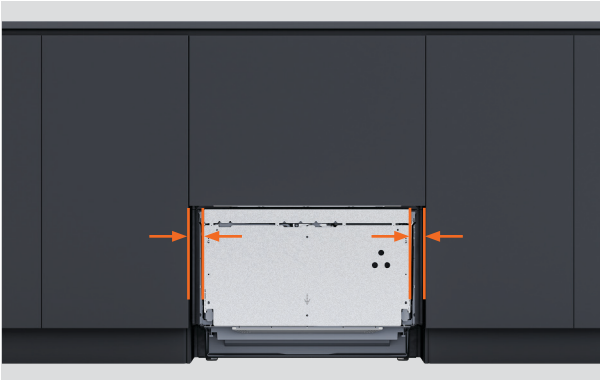
2. Place the panel back onto the dishwasher. Insert the side pins. Quarter turn the pins to secure.



3. **For fine vertical adjustments:** Insert a crosshead screwdriver into the hole above side pins and turn. The adjustment range is ± 2 mm.

CUSTOM BOTTOM PANEL: MEASURE PANEL

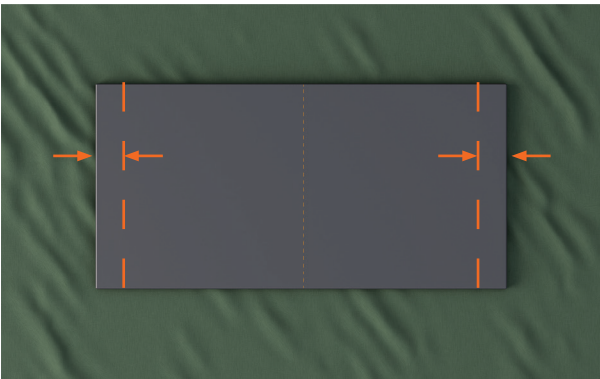
The minimum gap to adjacent cabinet doors or drawers is **2mm**. The minimum gap between the dishwasher top and bottom drawers is **8mm** for ventilation.



1. Measure the distance from the adjacent cupboard doors to the edges of the door bracket.

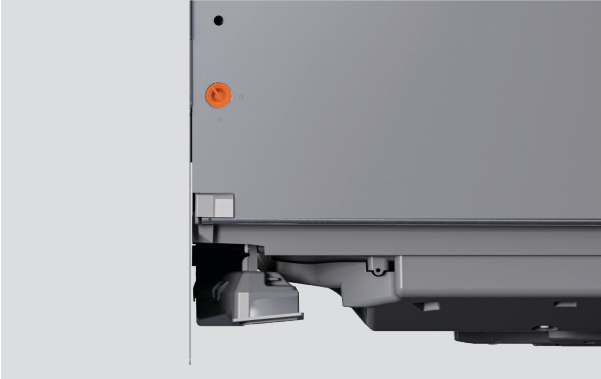


2. Subtract the required gap between the cabinet panels from each measurement.

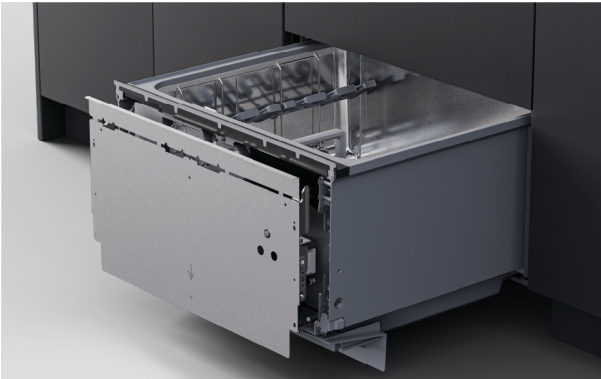


3. Use the final measurements to mark vertical lines on the back of the custom panel.

CUSTOM BOTTOM PANEL: ATTACH TO DOOR BRACKET



1. Rotate the drawer bracket pins by a quarter turn.
Use pliers to pull the door pin out.

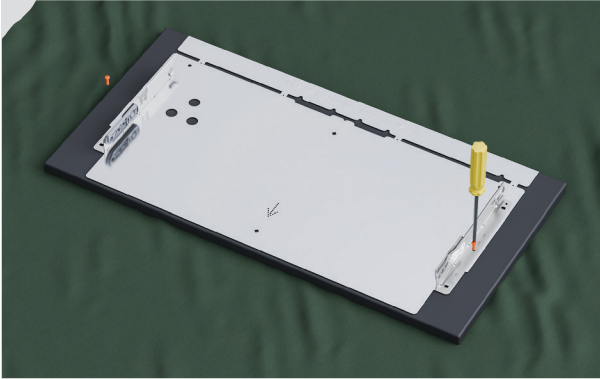


2. Detach the door bracket by pulling down firmly and then angling out.
Disconnect the earth wire from the bracket before removing.



3. Position the door bracket on the custom panel between the marked lines.
Ensure that the top of the drawer bracket rests on the panel.

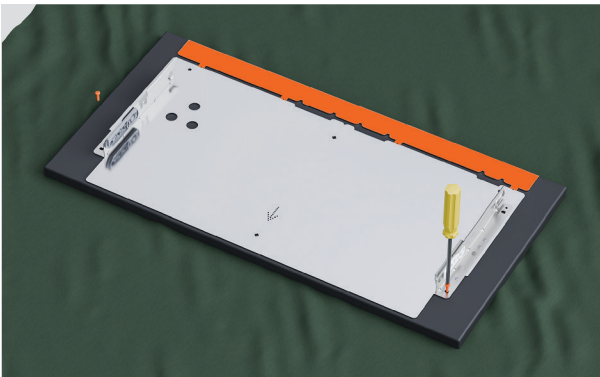
BOTTOM PANEL: ATTACH TO DOOR BRACKET



4. Fix one screw in each side through the bracket fixing points.

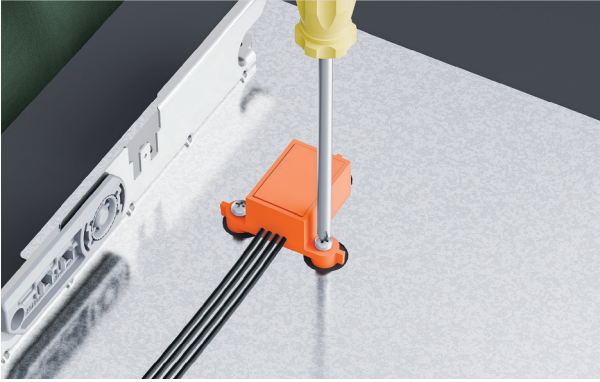


5. Slot panel onto dishwasher. Check that the gaps between the panel and adjacent cabinet doors are a minimum of **2mm**. Check that the gap between the top and bottom drawer panels is a minimum of **8mm** for ventilation.



6. Remove the door panel and fix the remaining four screws. Bend the top of the bracket back and forth until it snaps off.

CUSTOM BOTTOM PANEL: INSTALL KNOCK-TO-PAUSE MODULE



1. Secure knock-to-pause module to the panel using the supplied screws.



2. Check that the module is oriented correctly to ensure proper function.



3. Move the panel to the dishwasher.
Plug the knock-to-pause module into the controller.

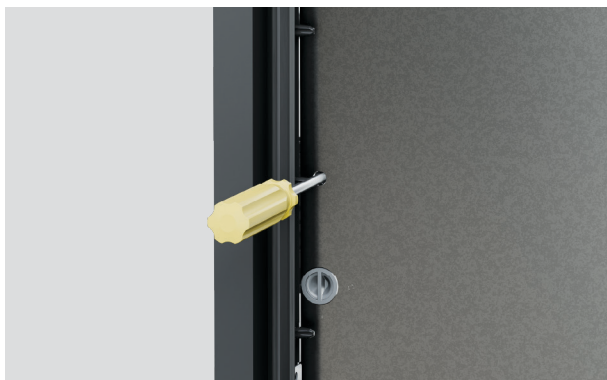
SECURE BOTTOM PANEL



1. ⚠ Attach the earth wire to the door bracket to ensure safe use.



2. Place the panel back onto the dishwasher. Insert the side pins. Quarter turn the pins to secure.



3. **For fine vertical adjustments:** Insert a crosshead screwdriver into the hole above side pins and turn. The adjustment range is ± 2 mm.

SECURE THROUGH CHASSIS SLOT

Slots in the chassis sides allow screws to be temporarily fixed and the dishwasher to be adjusted within the cavity. Panel alignment can then be checked before final fixing.

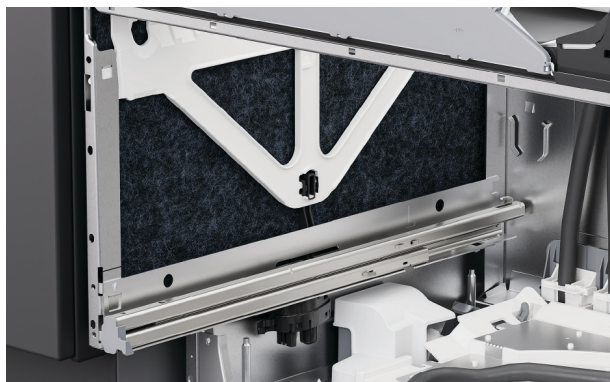


1. Pull the drawer halfway out to remove the tub.

On each side of the tub, push locking tabs back.



2. Place the drawer on a protected surface to the left of the appliance.

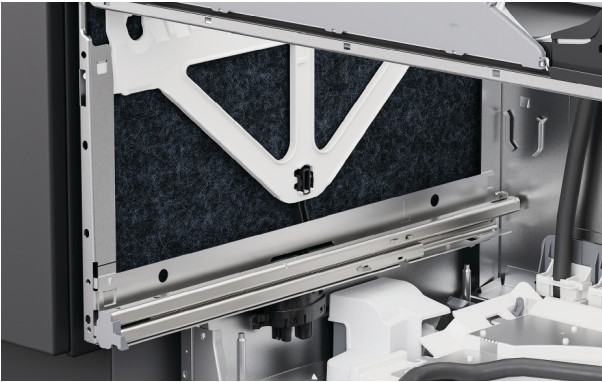


3. On the chassis sides, lift the insulation.

SECURE THROUGH CHASSIS SLOT



4. Fit a screw in each chassis slot to secure to the cabinet. Partially tighten screws ensuring adjustments can be made.



5. Refit insulation ensuring it is positioned correctly and will not obstruct the drawer runners.



6. To replace the bottom tub, pull the drawer runners halfway out. Place the tub onto the runners.

SECURE THROUGH CHASSIS SLOT



7. Pull locking tabs forward and click the drawer into place.

Ensure hoses are not crushed or twisted when closing the drawer.



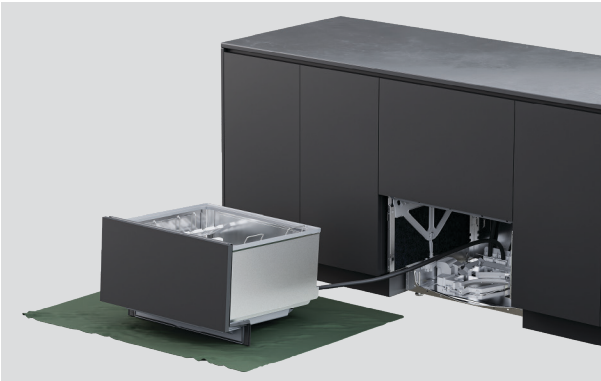
8. Check that the panel is aligned with the surrounding cabinetry.

Adjust the dishwasher in the cavity if required.

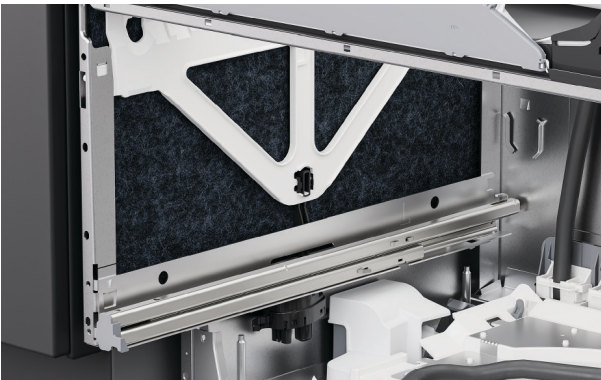
SECURE THROUGH CHASSIS



1. Pull the drawer halfway out to remove the tub.
On each side of the tub, push locking tabs back.

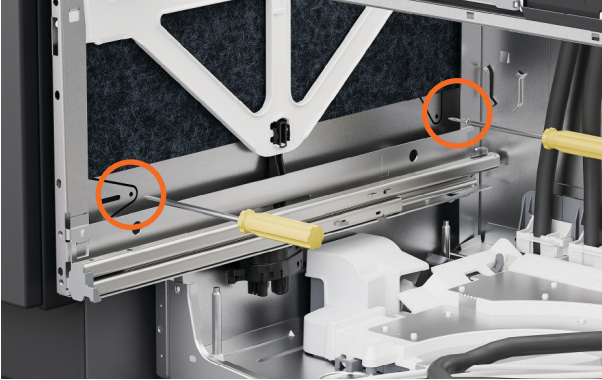


2. Place the drawer on a protected surface to the left of the appliance.

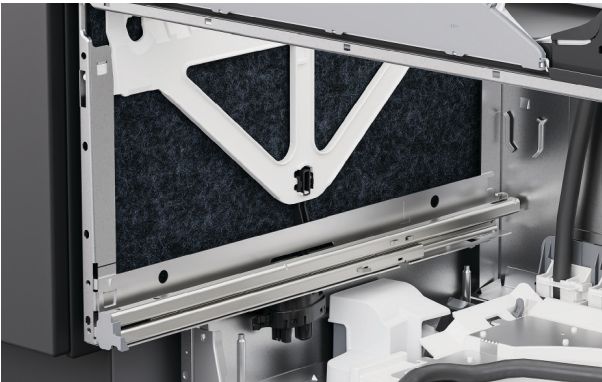


3. On the chassis sides, lift the insulation.

SECURE THROUGH CHASSIS



4. Insert screws through the two holes on each side of the chassis.



5. Ensure insulation is repositioned correctly and will not obstruct the drawer runners.



6. Place the tub back onto the runners, pull locking tabs forward and click drawer into place.

SECURE USING BRACKETS



1. If using brackets, partially open the top drawer. Lift the rubber seal and remove the left and right screw covers from the trim.



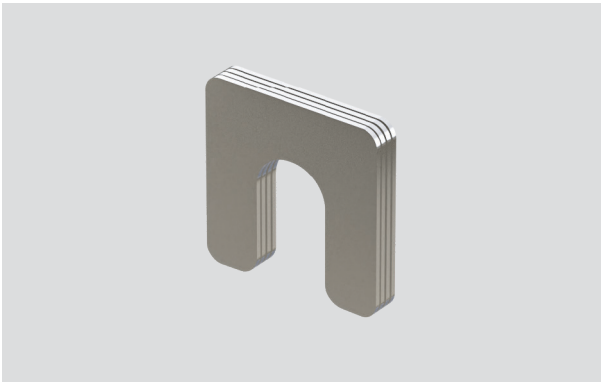
2. Fix side brackets using the supplied screws and replace the screw covers.



3. If top brackets are inserted, fix using the supplied screws. **Ensure the screw head is flush and clear of the top of the drawer panel when closed to avoid damage.**

CHECK PANEL TILT

If the custom panel is slightly angled out compared to the adjacent cabinetry, supplied shims can be used to make minor adjustments.



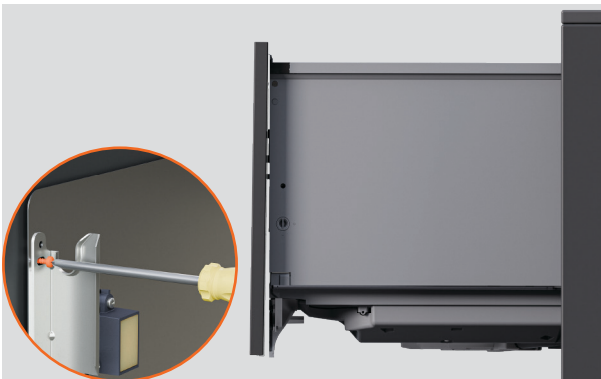
Shim options:

4 x 0.5mm, 6 x 0.75mm.

Do not use shims for any adjustments over 1.75mm total thickness.



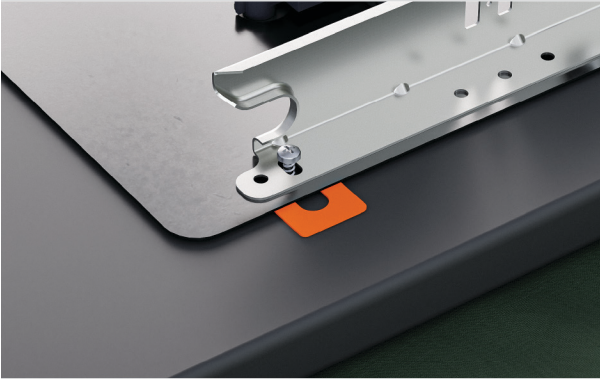
1. Remove the panel and door bracket if adjustment is needed.



2. For panels tilted outward at the bottom of the dishwasher:

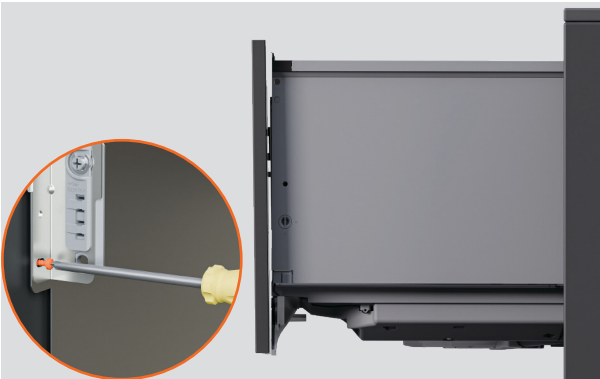
Loosen the screws at the top of the bracket on each side.

CHECK PANEL TILT



3. Insert the shim between the panel and the door bracket and tighten the screw.

Slot the panel onto the dishwasher and check.



4. For panels tilted outward at the top of the dishwasher:

Loosen the screws at the bottom of the bracket on each side.



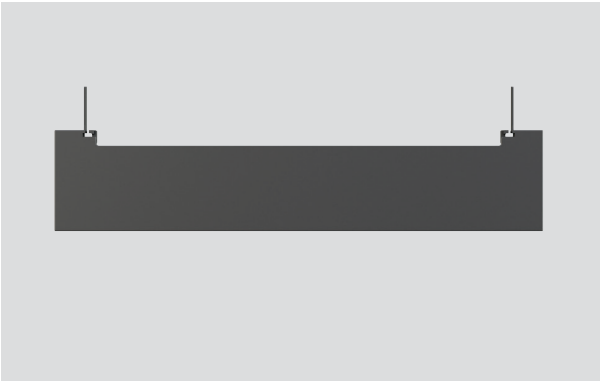
5. Insert the shim between the panel and the door bracket and tighten the screw.

Slot the panel onto the dishwasher and check the drawer panel alignment.

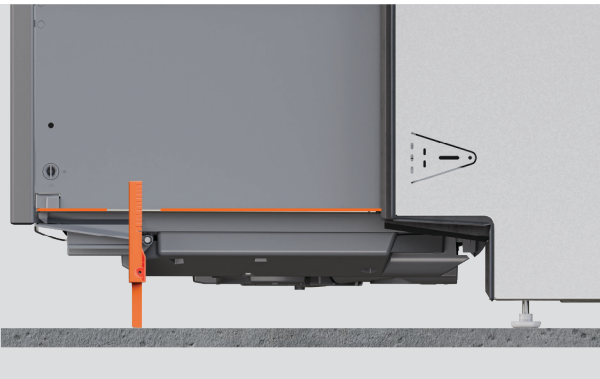
INSTALL PRE-FINISHED TOE KICK



For a toe kick depth of 40 - 56mm, select the flush pre-finished toe kick.



For a toe kick depth of 56 - 120mm, select the recessed pre-finished toe kick.



1. Open the bottom drawer.
Rotate the toe kick so the tabs are resting on the floor.

INSTALL PRE-FINISHED TOE KICK

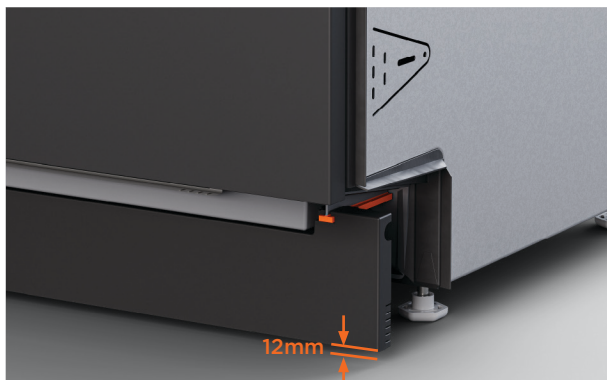


2. Mark the point where the toe kick meets the edge of the tub.



3. Score the toe kick on both sides with a box cutter on a protective surface.

Snap or cut off excess and smooth the edge with a file.

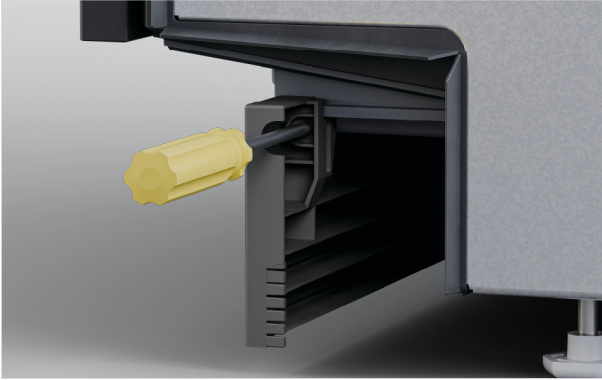


4. Snap off the top tabs.

Slide the jig and toe kick along the T rails into position.

Ensure there is a 12mm gap between the toe kick and the floor.

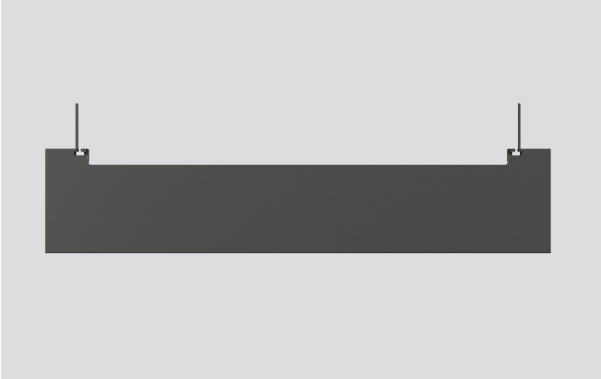
INSTALL PRE-FINISHED TOE KICK



5. Tighten the side screws firmly but do not over tighten.

INSTALL CUSTOM TOE KICK

Ensure all panel edges are sealed to withstand moisture. A **12mm** clearance gap is required between the bottom of the toe kick and the floor.



1. Locate the recessed pre-finished toe kick.



2. Mark a section of the toe kick mount for removal, making sure it is shorter than the custom panel.

Snap or cut off excess and smooth the edge with a file.



3. Place the custom panel onto the pre-finished toe kick.

INSTALL CUSTOM TOE KICK



4. For a toe kick depth up to 40mm, align the top of the custom panel to the top edge of the toe kick mount.

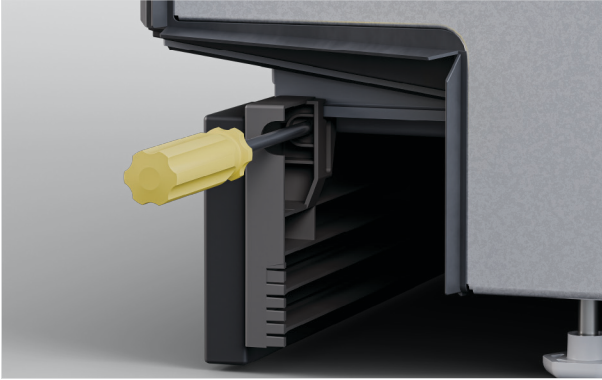


5. For a toe kick depth of 40 - 100mm, align the custom panel along the lower edge of the toe kick mount.



6. Drill pilot holes through fixing points in the toe kick mount.
Screw the mounting bracket to toe kick using a screw driver.

INSTALL CUSTOM TOE KICK



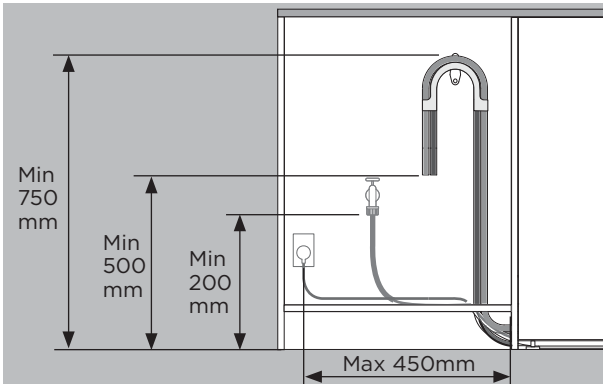
7. Slide mounting bracket and toe kick along the tub rails. Secure the mounting bracket to the rails but do not over tighten.

DRAIN CONNECTION OPTIONS

DD60DTX6HI1 Water pressure: maximum 1 MPa (145 psi), min. 0.1 MPa (14.5 psi).

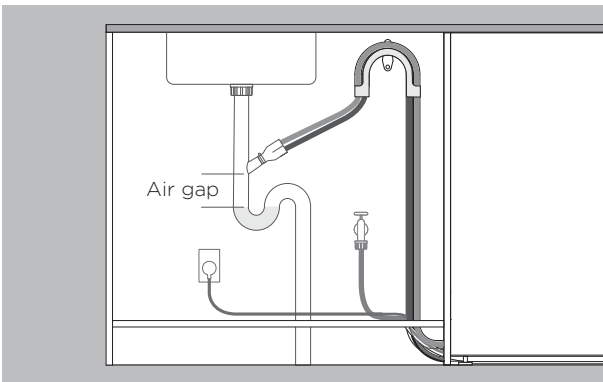
DD60DTX6I1 Water pressure: maximum 1 MPa (145 psi), min. 0.03 MPa (4.3 psi)

Water connection: 3/4" BSP (GB20) to suit flat washer, recommended temperature: cold 60C



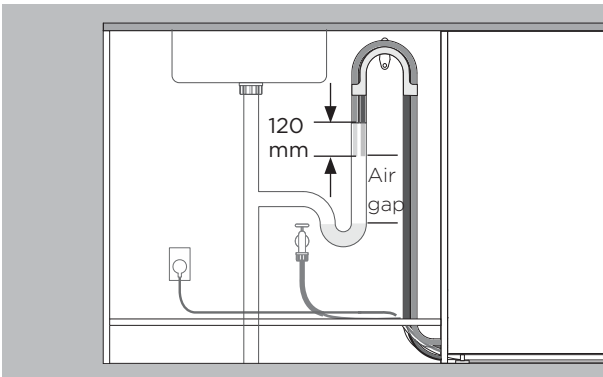
Distances are the same for all installs.

- Floor to support top - min 750mm.
- Floor to drain hose end - min 500mm.
- Floor to water inlet - min 200mm.
- Cabinet side to centre of electrical outlet - max 450mm.



Drainage routed to spigot

- Spigot must be higher than standing water with an air gap between to avoid drainage issues.
- Remove excess drain hose to prevent hose drooping below the spigot height.



Drainage routed to standpipe

- Drain hose must be higher than standing water with an air gap between to avoid drainage issues.
- Remove excess drain hose.
- Hoses must not extend into standpipe more than 120mm.

INSTALL DRAIN

Ensure the drain hose support is properly installed and the hose is correctly threaded through to prevent damage and drainage issues.

The dishwasher must not be drained into standing water.

If the drain hoses supplied are not long enough to reach your services, a 3.6m drain hose extension kit is available at fisherpaykel.com



1. Install the drain hose support as close to the countertop as possible, with a minimum distance of 750mm from the floor

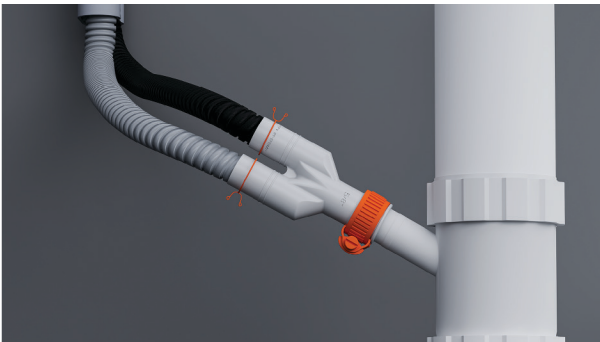
Thread the hoses through the support.



2. For connection to waste tee:

To avoid shavings entering the plumbing system, remove the waste tee before drilling.

Unplug or drill out the waste tee minimum 13mm in diameter before securing joiner.



3. Thread wire clips on to the hoses.

Fit the hoses to the supplied hose joiner and secure using the wire clips provided.

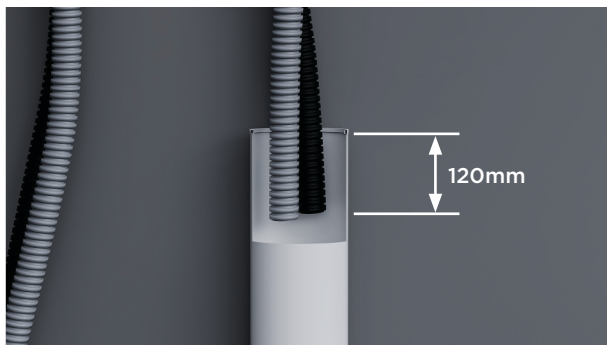
Ensure hose is routed straight to the joiner to avoid kinks that can restrict drainage.

INSTALL DRAIN



4. For connection to standpipe:

Pull both drain hoses through the support guide and rest in standpipe.



5. Ensure the hoses do not extend more than 120mm into the standpipe to prevent wastewater siphoning back into the tub.

Hoses can be trimmed if necessary.

CONNECT WATER INLET

Do not turn water supply on before power has been connected. The dishwasher must be powered on for flood protection to be enabled.

Isolation taps are required to allow the water supply to be shut off.



1. Check that the supplied rubber washer is inserted into the coupling.



2. Connect the inlet hose to the tap.

Ensure the inlet hose is not kinked and the tap is not pulled or under pressure.

Do not shorten the inlet hose.



3. Hand-tighten into place. Using a spanner or pliers, turn a further 180° to secure. Avoid over-tightening.

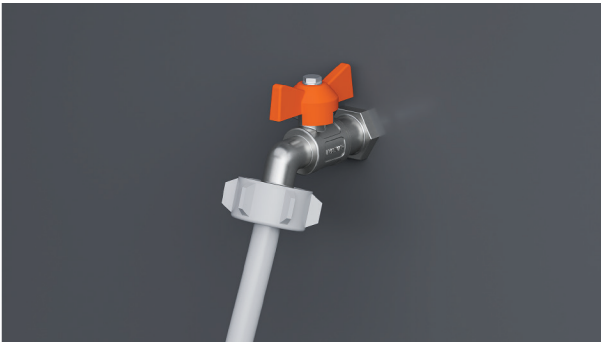
CONNECT POWER

Electrical requirements: 220 - 240V minimum 8.5A

The power plug should be accessible after installation for maintenance.



1. Connect power.



2. Check the water connections.

Turn on the water supply and check for leaks.

The dishwasher must be powered on for flood protection to be enabled.

If power is to be disconnected, ensure water supply is turned off.

INSTALLER CHECKLIST

Installation

- If power is disconnected, ensure water supply is turned off to prevent flooding.
- Check all parts are installed correctly and are secure.
- Ensure all clearance gaps have been maintained.
- Ensure dishwasher is secure and drawer opens and closes freely with no resistance.
- Ensure panel is fitted correctly to the dishwasher
- Ensure any packaging or tape securing the racks and spray arm is removed.
- Check the spray arm is in place, mounted correctly and rotate freely.
- Ensure knock-to-pause module is fitted securely and operating correctly.

Plumbing

- Ensure any knock-outs or plugs in drain connection have been drilled out and drain connection has been made.
- The drain hose joiner must not support the weight of excess hose material. Keep drain hose as fully extended as possible to prevent sagging. Any excess length of drain hose should be kept on the dishwasher side of the high loop.
- Ensure inlet hose has supplied rubber washer fitted, and that it's tightened.
- If connecting the drain hose to the sink trap, ensure the high loop is a minimum 150mm higher than the drain hose joiner.
- Water softener models: adjust the water softener setting from the default setting to suit the water hardness of the area. Refer to your user guide.
- Ensure water supply is turned off until power is connected and turned on. The Dishwasher must be powered on for the flood protection feature to be enabled.

Electrical

- Ensure all electrical tests have been conducted in accordance with local regulations.

Test operation

- Turn on the power and water supplies, then open the drawer. You should hear a beep and see a program indicator light up on the control panel.
- Add three cups of water into the drawer.
- Navigate to RINSE and start the program.
- Check the knock-to-pause function
- Repeat for the other drawer.
- After the Rinse cycle has finished, ensure the dishwasher has run and drained correctly.
- Check the water supply has been shut off correctly.
- Check drainage connections for leaks.
- If site is left without power after installation is complete, ensure water supply is turned off to prevent flooding.**

INSTALLER CHECKLIST

Complete and keep for safe reference:

Model _____

Serial no. _____

Purchase date _____

Purchaser _____

Dealer address _____

Installer's name _____

Installer's signature _____

Installation company _____

Installation date _____

FISHERPAYKEL.COM

© Fisher & Paykel Appliances 2025. All rights reserved.

The models shown in this guide may not be available in all markets
and are subject to change at any time.

The product specifications in this guide apply to the specific products and
models described at the date of issue. Under our policy of continuous product
improvement, these specifications may change at any time.

For current details about model and specification availability in your country,
please go to our website or contact your local Fisher & Paykel dealer.

592363B 05.25