

FISHER & PAYKEL

MODULAR COOKTOP

MULTIPLE PRODUCT WITH DOWNDRAFT VENTILATION

CI905DTTB1, CI764DTTB1, CI604DTTB1, CI392DTTB1, CI392DB1,
CI302DB1, CI905DTTG1, CI764DTTG1, CI604DTTG1, CI392DTTG1,
CI392DG1, CI302DG1 CIT392DX1, CIT302DX1, CD13DB1 and
CD13DG1 models

INSTALLATION GUIDE

NZ AU

⚠ WARNING!



Electric Shock Hazard

Failure to follow this advice may result in electric shock or death.

- Disconnect the appliance from the mains electricity supply before carrying out any work or maintenance.
- Connection to a good earth wiring system is essential and mandatory.
- Alterations to the domestic wiring system must only be made by a qualified electrician.

⚠ WARNING!



Cut Hazard

Failure to use caution could result in injury.

- Take care: some edges are sharp.

READ AND SAVE THIS GUIDE

General Use

- Read these instructions carefully before installing this product.
- Save these instructions for the local electrical inspector's use.
- Installation must comply with your local building and local electricity regulations.
- This appliance is to be installed and serviced only by Fisher & Paykel trained and supported service technician or qualified person.
- The manufacturer accepts no responsibility for the incorrect installation of appliances. Incorrect installation may result in personal injury, damage to property and may invalidate any warranty or liability claims.
- Do not modify this appliance.
- Do not use or store flammable materials on or near this appliance.
- Packing elements (eg plastic bags, polystyrene foam, staples, packing straps etc) and tools should not be left around during and after installation, especially if they are within easy reach of children, as these may cause serious injuries.
- Make sure you recycle the packaging material.
- Before disposing of any appliance, make sure that it can no longer be used and that all hazardous parts are removed or made harmless, so that children playing with the old appliance cannot harm themselves.
- Only genuine replacement parts may be used for servicing the appliance. These are available from your nearest Fisher & Paykel Service Center.
- This cooktop must be connected to the mains power supply only by a suitably qualified person.
- DO NOT use adapters, reducers, or branching devices when connecting the cooktop to the mains power supply to prevent overheating and fire.
- The power supply cable must not touch any hot parts and must be positioned so that its temperature will not exceed 75°C at any point.
- This cooktop requires adequate supply of cool air to fully function. The base of the cooktop must have direct unrestricted ventilation to the room where the cooktop is installed. There must be a 4mm air gap at the front of the cooktop.
- Exhaust air must not be discharged into a flue that is used for exhausting appliances burning gas or other fuels.
- CAUTION: This appliance is not intended to be used with gas hobs.
- Refer to the Safety Guide supplied with your product for a complete list of warnings.

COMPONENTS REQUIRED

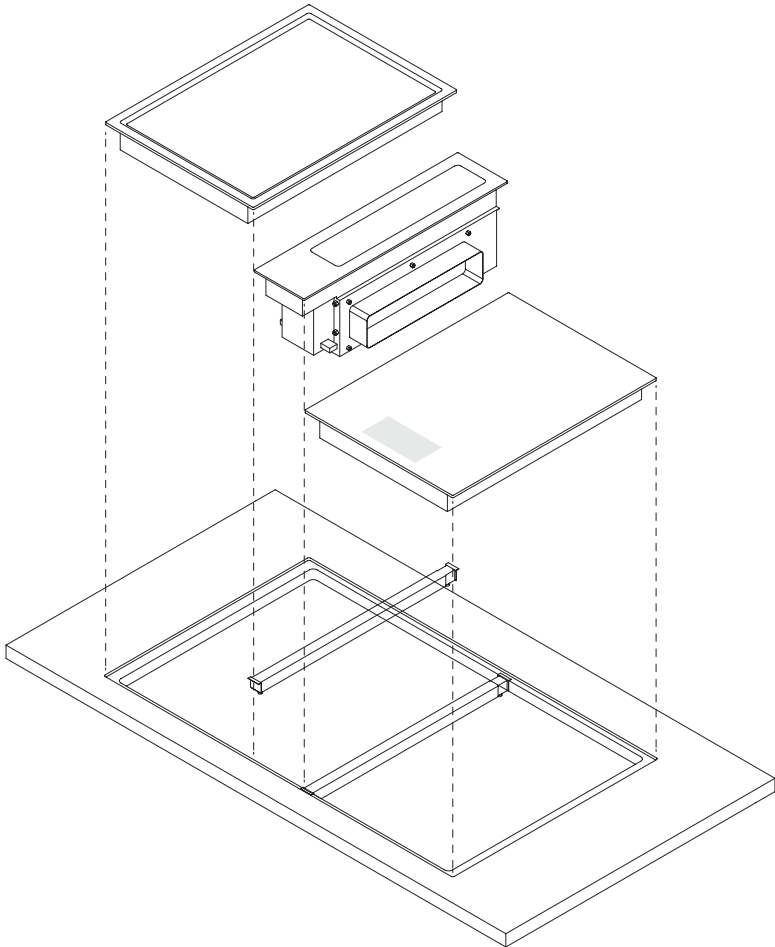
Not supplied

- | | | | |
|--------------------------|----------------------|--------------------------|--|
| <input type="checkbox"/> | Silicone gun | <input type="checkbox"/> | Masking tape |
| <input type="checkbox"/> | Phillips screwdriver | <input type="checkbox"/> | Duct tape |
| <input type="checkbox"/> | Level | <input type="checkbox"/> | Black installations:
Black, matte finish silicone rated
to 100°C or above* |
| <input type="checkbox"/> | Box cutter | <input type="checkbox"/> | Grey installations:
Grey, matte finish silicone rated
to 100°C or above** |
| <input type="checkbox"/> | Router | | |
| <input type="checkbox"/> | Hex key | | |
| <input type="checkbox"/> | Spanner | | |

ACCESSING YOUR PRODUCT SPECIFICATIONS



For full product, cabinetry and service specifications, refer to the Planning Guide. To access the Planning Guide, scan the QR code or visit fisherpaykel.com/specify. Search by appliance type, product name or model code.



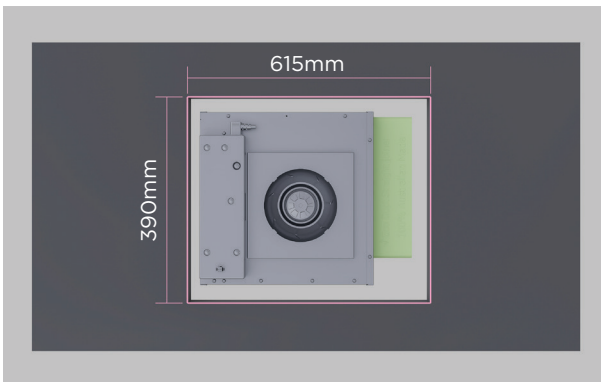
PRIOR TO INSTALLATION



fisherpaykel.com/specify

1. Ensure cabinetry and servicing specifications have been met and clearances have been considered.

Refer to the Planning Guide for details.



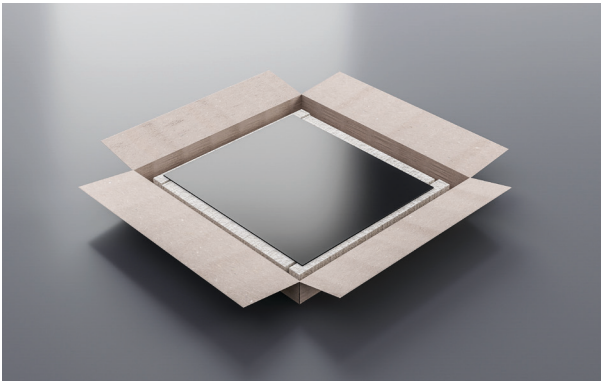
2. Create a 615x390mm cutout in the base of the cavity for the external blower.

Ensure cutout is oriented correctly for selected ducting option.

UNPACK ALL PRODUCTS



1. Ensure all products and accessories are present.

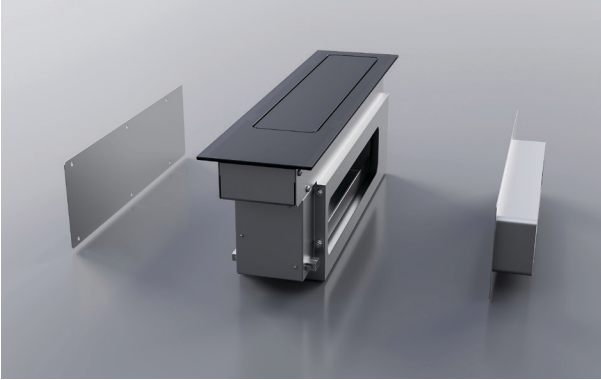


2. Carefully remove products from cartons. Set aside on a protected surface. Dispose of packaging responsibly.

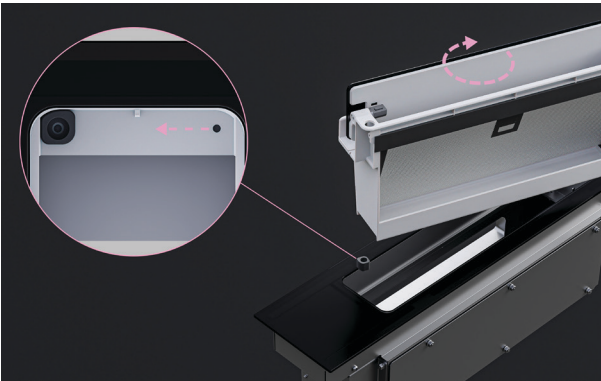


3. Test electrical connections of all products before proceeding with installation.

PREPARE PRODUCTS

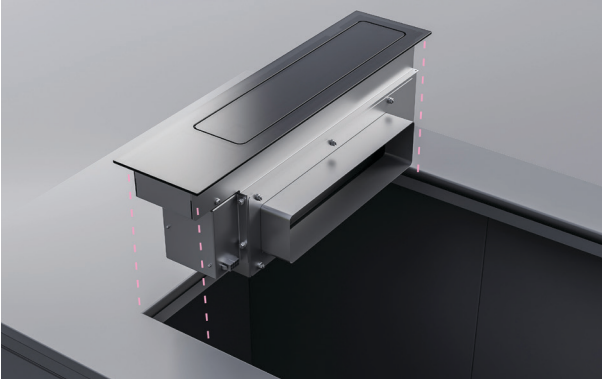


1. Remove foam tape backing before attaching the downdraft outlet and backing plate using the supplied nuts and washers. Ensure ducting orientation has been considered.

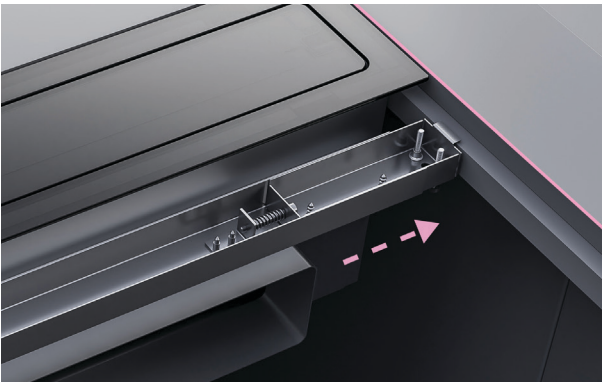


2. If required, lift the inner box out of the chassis. Remove both downdraft alignment guides and refit on the opposite side. Ensure the grease filter faces the outlet.

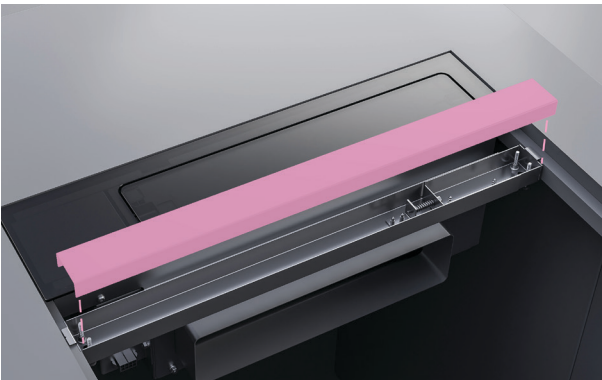
INSTALL IN CUTOUT



1. Gently lower the first product into the cutout.

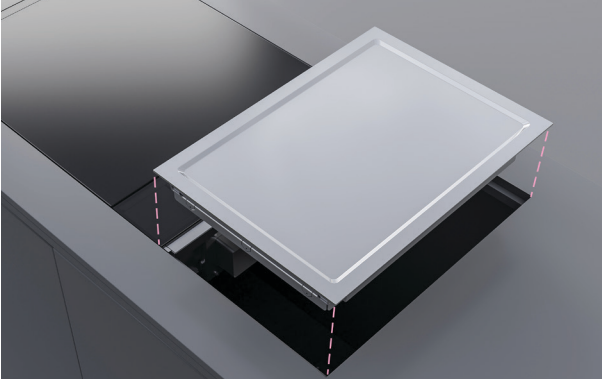


2. Align the rear of the joining bracket to the back edge of the cutout and slot into place..



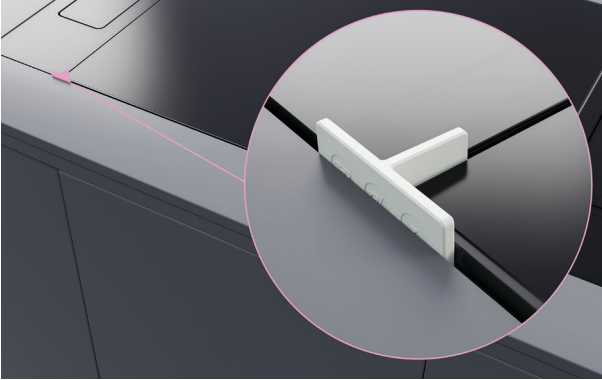
3. Fit cover onto joining bracket before sliding it under the adjacent product.

INSTALL IN CUTOUT

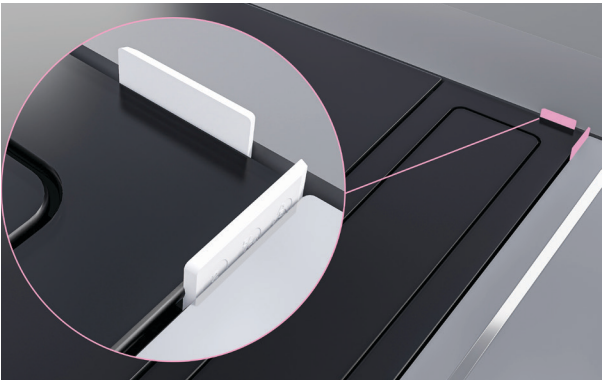


4. Gently lower additional products and joining strips into cutout as required.

ALIGN PRODUCTS



1. Slot the T spacers between the products. Adjust positioning to ensure even spacing between products is achieved.



2. Flush installations:

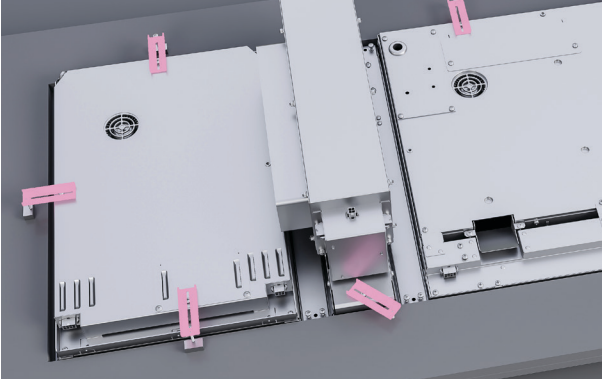
Place the shims around the outer edges of the cutout. Adjust positioning to ensure even spacing around the product set is achieved.



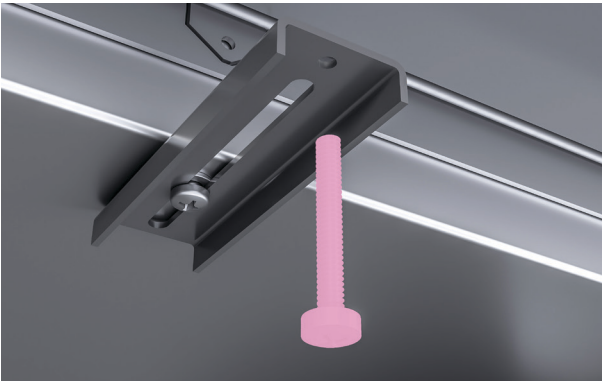
3. Place the shims on top of the product to gauge what thickness is required to create a level installation.

Slot the shims under the products to raise as needed.

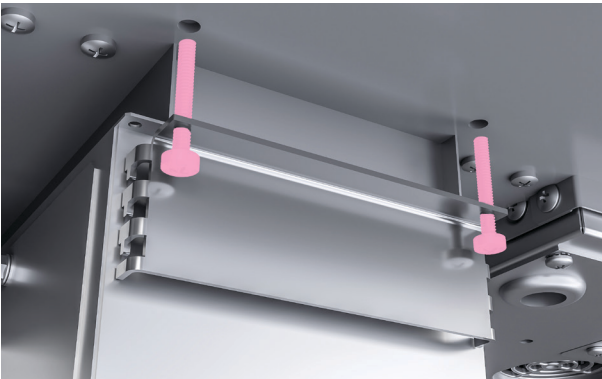
SECURE TO CUTOUT



1. Fit the securing brackets to the base of each cooktop. A minimum of two brackets per cooktop is recommended.



2. Tighten all clamp screws to secure the cooktops to the cutout and joiner strips.



3. Tighten the front and rear clamping bracket screws to secure the downdraft to the cutout.

CONNECT POWER

Before connecting to the mains power supply check that:

- The domestic wiring system is suitable for the power drawn by the cooktop.
- The voltage corresponds to the value given on the rating plate.
- The power supply cable sections can withstand the load specified on the rating plate.



fisherpaykel.com/specify

Refer to the Planning Guide for full service information.

CI302, CI392, CIT302 AND CIT392 MODELS

Single-phase connection

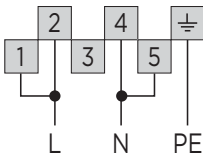
220 - 240V~

The models are supplied with a cable. This must be wired into a suitably rated plug, permanent connection outlet or power isolator.

CI604 AND CI764 MODELS

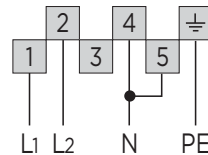
Single-phase connection

220 - 240V~



Two-phase connection

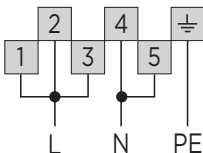
380 - 415V 2N~



CI905 MODELS

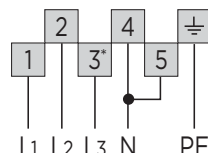
Single-phase connection

220 - 240V~

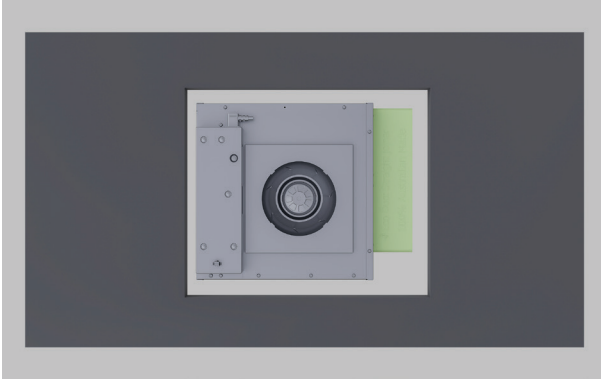


Three-phase connection

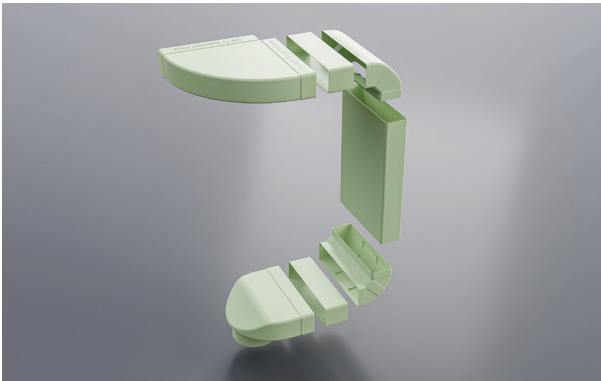
380 - 415V 3N~



INSTALL DUCTING

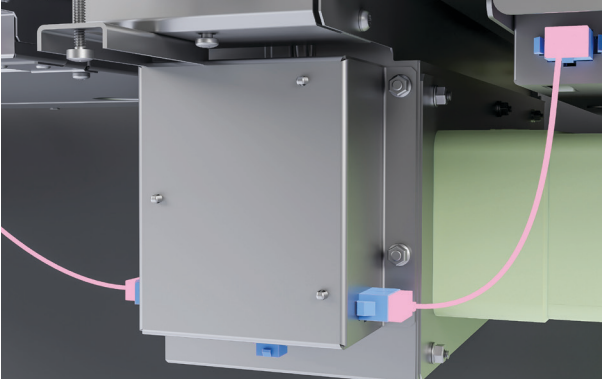


1. Place the external blower into the cutout and connect power cord.

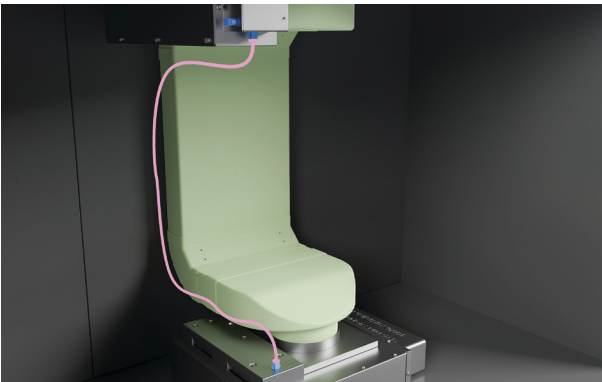


2. Cut ducting to required lengths and slot together. Secure and seal using duct tape.

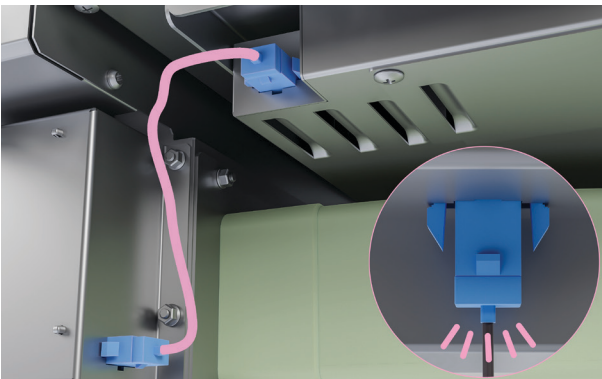
LINK PRODUCTS



1. Link each product to the adjacent product using the supplied communication cables. Ensure 8-pin plugs are only connected to 8-pin sockets and 6-pin plugs connected to 6-pin sockets.



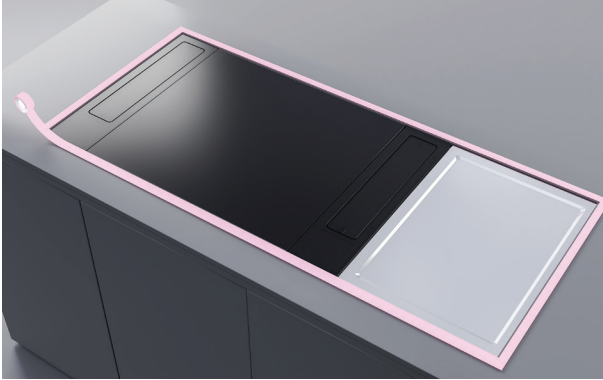
2. Connect the downdraft unit to the external blower via the central communication cable.



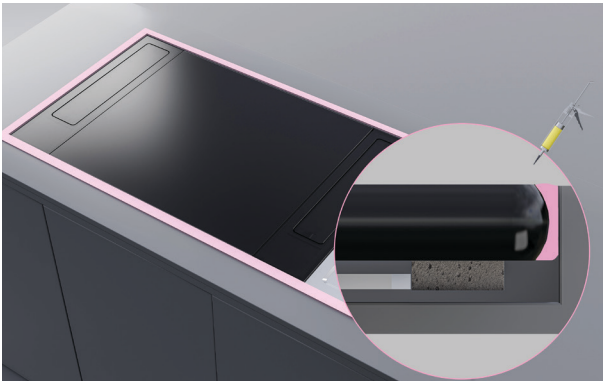
3. Ensure all cables click into place and are routed away from cooktop exhausts. Secure to cabinetry using the supplied harness retainers.

SEAL PRODUCTS INTO CAVITY (FLUSH INSTALLATIONS)

Some silicone products may cause discoloration of the glass, in most cases this will fade as the silicone cures. Avoid applying too much silicon during installation.



1. Mask the area to be siliconed ensuring all products and the countertop are protected.



2. Carefully apply silicone in the gaps between the countertop and products.

Wipe away any excess silicone and remove mask once silicone has dried.

INSTALLER CHECKLIST

TO BE COMPLETED BY THE INSTALLER

GENERAL

- Specified clearances have been maintained.
- Products are level - front to back and side to side.
- All packaging materials have been removed.
- There is constant flow of cool air from the cabinetry to the base of the products.
- Products have all been securely clamped.
- Communication cables are routed away from cooktop exhausts, secured to cabinetry and are unobstructed by drawers or other objects.
- Module layout configuration has been checked and confirmed.
- Touch controls and displays are functioning.
- Ducting has been secured and taped into place

ELECTRICAL

- Receptacle with correctly rated over-current protection is provided for service cord connection.
- Adequate ground connection established.
- Power supply cable is accessible and is not touching the products.

FISHERPAYKEL.COM

© Fisher & Paykel Appliances 2023. All rights reserved.

The models shown in this guide may not be available in all markets
and are subject to change at any time.

The product specifications in this guide apply to the specific products and
models described at the date of issue. Under our policy of continuous product
improvement, these specifications may change at any time.

For current details about model and specification availability in your country,
please go to our website or contact your local Fisher & Paykel dealer.

431302A 09.23