

**76CM BUILT-IN OVENS AND COMPANIONS
CONTEMPORARY STAINLESS STEEL**

PLANNING GUIDE

SERIES 9 & 11

DOUBLE OVEN | OB76DDPTDX2

OVEN | OB76SDPTDX2

STEAM OVEN | OS76NDTDX1

SPEED OVEN | OM76NDTDX1

BUILT-IN COFFEE MAKER | EB60DSX1

TRIM KIT | TK7630NDX1

FISHER & PAYKEL

This comprehensive Planning Guide provides you with the framework and tools to achieve your desired design outcome with Fisher & Paykel appliances. In this guide, you will find a range of conceptual, detailed and dimensional product information to bring your ideas to life and create spaces that truly reflect your vision.

CONTENTS

CONCEPT DESIGN	PAGE	DEVELOPED AND DETAILED DESIGN	PAGE	DEVELOPED AND DETAILED DESIGN	PAGE
Design Choices		Data Sheets		Planning Considerations	
Ovens and Companions - ALL MODELS	4	Double Oven	16	Cabinetry Preparation - ALL MODELS	22
Configurations - ALL MODELS	5	Oven	17	Configurations - ALL MODELS	23
Overview - ALL MODELS	6	Combination Steam Oven	18	Double Oven	24
		Combination Microwave Oven	19	Oven	25
Specification Guides		Built-in Coffee Maker with Trim Kit	20	Combination Steam Oven	26
Double Oven	8			Combination Microwave Oven	27
Oven	9			Built-in Coffee Maker with Trim Kit	28
Combination Steam Oven	10				
Combination Microwave Oven	11			Services	
Built-in Coffee Maker with Trim Kit	12			Power Cord Length and Location	30
Dimensions - ALL MODELS	13				
Power, Weight and Capacity - ALL MODELS	14				

The models shown in this Planning Guide may not be available in all markets and are subject to change at any time. Product specifications may vary from those shown. This Planning Guide should not be used as installation guidance for any product. Further information is required to safely and correctly install the products featured here. Specific installation guidance will be available on our website fisherpaykel.com

DESIGN CHOICES

COLOUR

OVENS

COMPANIONS

INSTALLATION OPTIONS

OVEN

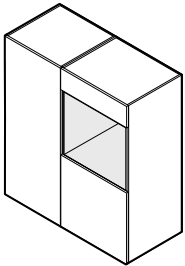
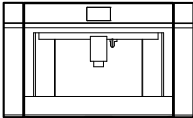
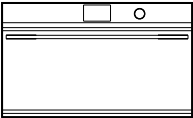
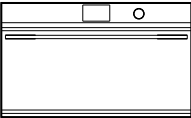
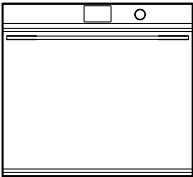
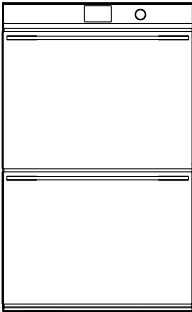
COMBINATION STEAM

COMBINATION MICROWAVE

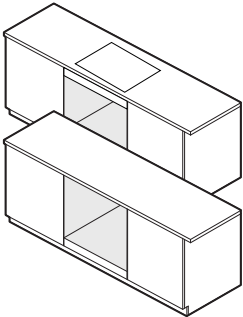
BUILT-IN COFFEE MAKER



STAINLESS STEEL



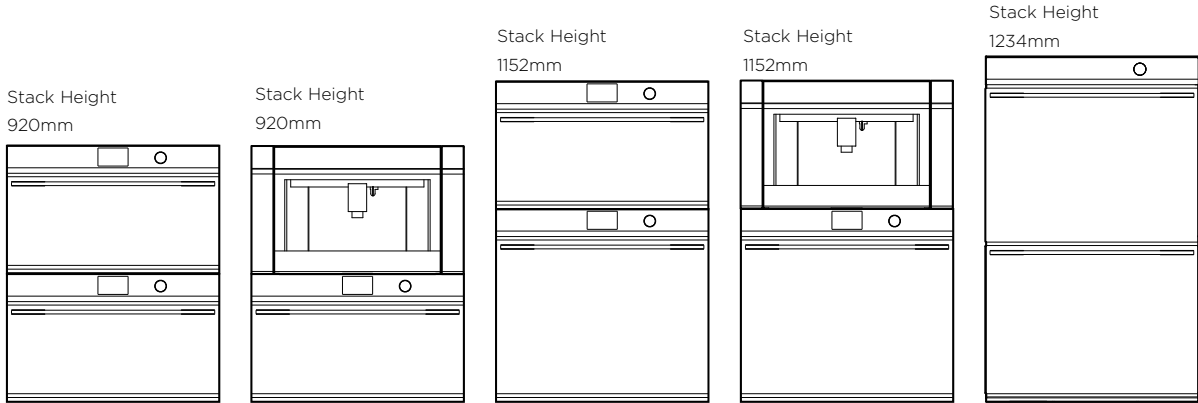
INSTALLATION IN WALL



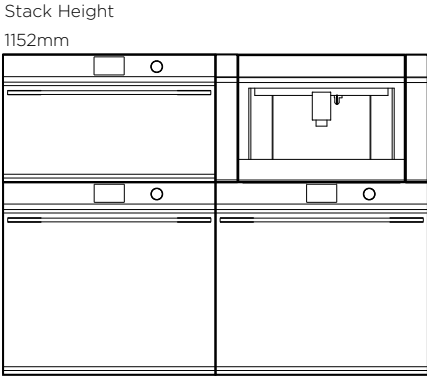
INSTALLATION UNDER-BENCH

The models shown in this Planning Guide may not be available in all markets and are subject to change at any time. Product specifications may vary from those shown. This Planning Guide should not be used as installation guidance for any product. Further information is required to safely and correctly install the products featured here. Specific installation guidance will be available on our website fisherpaykel.com

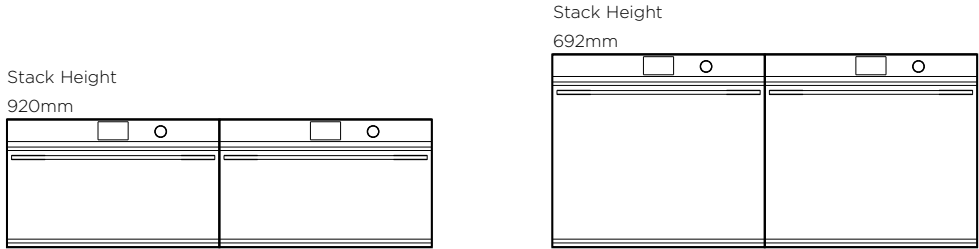
STACKED INSTALLATION



GRID INSTALLATION



ROW INSTALLATION

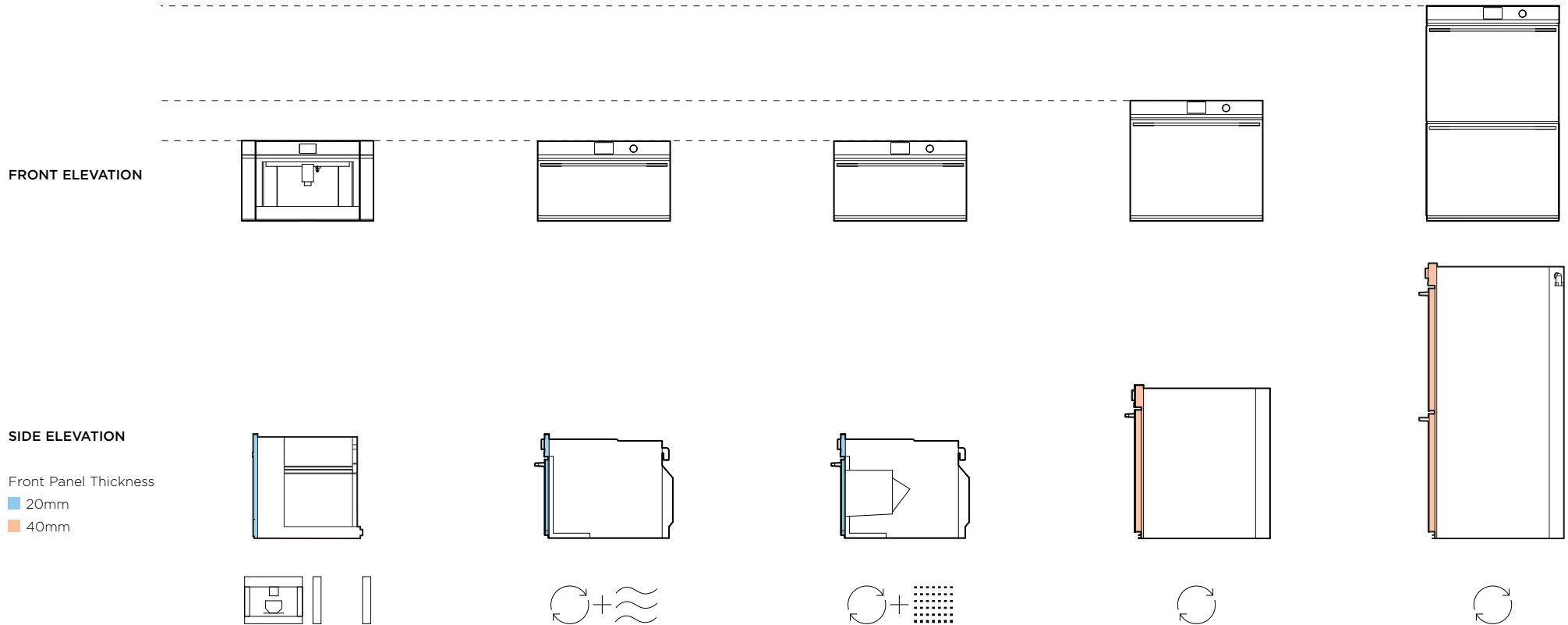


CONSIDERATIONS

Different configurations possible, consider heights for row and grid installations.

Note: Stack Height is overall product height with minimum clearance above appliance front panel to upper cabinetry front panel or appliance.

The models shown in this Planning Guide may not be available in all markets and are subject to change at any time. Product specifications may vary from those shown. This Planning Guide should not be used as installation guidance for any product. Further information is required to safely and correctly install the products featured here. Specific installation guidance will be available on our website fisherpaykel.com



	BUILT-IN COFFEE MAKER WITH TRIM KIT	COMBINATION MICROWAVE OVEN	COMBINATION STEAM OVEN	OVEN	DOUBLE OVEN
Series	Series 9	Series 9	Series 9	Series 9	Series 9
Model Code	EB60DSX1 Trim Kit TK7630NDX1	OM76NDTDX1	OS76NDTDX1	OB76SDPTDX2	OB76DDPTDX2
Interface	4.3" Touchscreen	5" Touchscreen, Dial Control	5" Touchscreen, Dial Control	5" Touchscreen, Dial Control	5" Touchscreen
Height	458mm	458mm	458mm	690mm	1232mm
Front Panel Thickness	20mm	20mm	20mm	40mm	40mm

The models shown in this Planning Guide may not be available in all markets and are subject to change at any time. Product specifications may vary from those shown. This Planning Guide should not be used as installation guidance for any product. Further information is required to safely and correctly install the products featured here. Specific installation guidance will be available on our website fisherpaykel.com

SPECIFICATION GUIDE

SERIES 9 & 11



OVERVIEW

Enhance your kitchen design with the refined styling of the 76cm Double Oven. Complementing the other products in our Contemporary Stainless Steel collection, you can create a coherent, considered look with ease. Intuitive controls and the performance to deliver perfect results make this double oven beautiful to use.

PRODUCTS

OB76DDPTDX2

Double Oven, 76cm, 17 Function, Self-cleaning, 115L + 115L, Touchscreen, Dial Controls, Stainless Steel

SERIES & STYLE

Series 9
Contemporary Stainless Steel

FEATURES

- ① Designed to fit flush with cabinetry
- ② Styled to perfectly match our Contemporary Stainless Steel kitchen appliances
- ③ Generous 115L total capacity per oven, 230L total capacity
- ④ Intuitive, large 5" touchscreen display with illuminated dial
- ⑤ Guided cooking and recipes
- ⑥ Perfect results from a variety of oven functions
- ⑦ Even heat distribution throughout with AeroTech™ technology
- ⑧ Self-cleaning
- ⑨ CoolTouch door
- ⑩ Wi-Fi/Connected capability through the SmartHQ™ app

ACCESSORIES

- ① Full Extension Sliding Shelves*
- ② Self-cleaning-proof side racks*
- ③ Roasting dish, tray and rack*
- ④ Wired Temperature Sensor*

*Included with product

The models shown in this Planning Guide may not be available in all markets and are subject to change at any time. Product specifications may vary from those shown. This Planning Guide should not be used as installation guidance for any product. Further information is required to safely and correctly install the products featured here. Specific installation guidance will be available on our website fisherpaykel.com



OVERVIEW

Enhance your kitchen design with the refined styling. Complementing the other products in our Contemporary Stainless Steel collection, you can create a coherent, considered look with ease. Intuitive controls and the performance to deliver perfect results make this oven

PRODUCTS

OB76SDPTDX2

Oven, 76cm, 17 Function, 15L, Touchscreen, Dial Controls, Stainless Steel

SERIES & STYLE

Series 9
Contemporary Stainless Steel

FEATURES

- ① Designed to fit flush with cabinetry
- ② Styled to perfectly match our Contemporary Stainless Steel kitchen appliances
- ③ Generous 115L total capacity
- ④ Intuitive, large 5" touchscreen display with illuminated dial
- ⑤ Guided cooking and recipes
- ⑥ Perfect results from a variety of oven functions
- ⑦ Even heat distribution throughout with AeroTech™ technology
- ⑧ Self-cleaning
- ⑨ Wireless Temperature Sensor precisely monitors cooking in real time
- ⑩ Wi-Fi/Connected capability through the SmartHQ™ app

ACCESSORIES

- ① Full Extension Sliding Shelves*
- ② Self-cleaning-proof side racks*
- ③ Roasting dish, tray and rack*
- ④ Wired Temperature Sensor*
- ⑤ Wireless Temperature Sensor - Part WTSC1

*Included with product

The models shown in this Planning Guide may not be available in all markets and are subject to change at any time. Product specifications may vary from those shown. This Planning Guide should not be used as installation guidance for any product. Further information is required to safely and correctly install the products featured here. Specific installation guidance will be available on our website fisherpaykel.com



OVERVIEW

With timeless Contemporary styling, the Combination Steam Oven fits seamlessly into any kitchen. As a companion product, this oven is designed to install easily and fit perfectly with other companion products such as the Vacuum Seal Drawer. It features 23 functions, including steam-only, convection-only, or a combination of both. Reduce the need for oils and fats with six standalone steam functions, perfect for creating flavourful and healthy restaurant-quality meals at home. Beautiful to use, the large 5" touchscreen interface has simple and intuitive guided cooking, helping to ensure perfect results.

PRODUCTS

OS76NDTDX1

Combination Steam Oven, 76cm, 23 Function

SERIES & STYLE

Series 9
Contemporary Stainless Steel

ACCESSORIES

- ① Full Extension Sliding Shelf*
- ② Wire Shelf*
- ③ Flat Brushed Baking Tray*
- ④ Roasting Dish*
- ⑤ Grill Rack*

FEATURES

- ① Contemporary style, designed to fit flush with cabinetry
- ② Generous 55L total capacity with four shelf positions
- ③ Intuitive, large 5" touchscreen display with illuminated dial
- ④ 23 oven functions including Steam, Sous Vide, Air Fry and Crisp Regenerate
- ⑤ Guided touchscreen cooking makes it simple to cook by food, function or recipe
- ⑥ Moisture control and even heat distribution thanks to ActiveVent and AeroTech™ technology
- ⑦ 1.4L water tank
- ⑧ Wi-Fi enabled and works with the SmartHQ™ app for remote control and notifications
- ⑨ Steam Clean function ensures a spotless oven with minimal effort
- ⑩ Soft open and close door

ACCESSORIES

- ⑥ Perforated Large Steam Dish*
- ⑦ Perforated Small Steam Dish*
- ⑧ Large Steam Dish*
- ⑨ Wired Temperature Sensor*
- ⑩ Catalytic Panel*
- ⑪ Descale solution* - 2 sachets (Part 580925)

*Included with product

The models shown in this Planning Guide may not be available in all markets and are subject to change at any time. Product specifications may vary from those shown. This Planning Guide should not be used as installation guidance for any product. Further information is required to safely and correctly install the products featured here. Specific installation guidance will be available on our website fisherpaykel.com



OVERVIEW

With timeless Contemporary styling, the Combination Microwave Oven fits seamlessly into any kitchen. As a companion product, this Microwave Oven is designed to install easily and fit perfectly with other companion products such as the Combination Steam Oven. A flexible appliance that pairs the speed of microwave cooking with oven technology, which can crisp and brown as it cooks. Featuring 22 cooking functions on an intuitive touch display for easy programming of desired cooking mode and duration.

PRODUCTS

OM76NDTDX1

Combination Microwave Oven, 76cm, 22 Function

SERIES & STYLE

Series 9
Contemporary Stainless Steel

FEATURES

- ① Contemporary style, designed to fit flush with cabinetry
- ② 49L total capacity
- ③ Intuitive, large 5" touchscreen display with illuminated dial
- ④ Four microwave-only functions, 14 traditional oven functions, and four combination functions
- ⑤ A Wired Temperature Sensor precisely monitors cooking in real time
- ⑥ Guided cooking, with the option to access additional functionality via the SmartHQ™ app
- ⑦ Wi-Fi/Connected capability through the SmartHQ™ app
- ⑧ Soft open and close door

ACCESSORIES

- ① Wire Shelf*
- ② Chrome Shelf Runner*
- ③ Step Down Wire Shelf*
- ④ Grill Rack*
- ⑤ Glass Tray*
- ⑥ Wired Temperature Sensor*

*Included with product

The models shown in this Planning Guide may not be available in all markets and are subject to change at any time. Product specifications may vary from those shown. This Planning Guide should not be used as installation guidance for any product. Further information is required to safely and correctly install the products featured here. Specific installation guidance will be available on our website fisherpaykel.com



OVERVIEW

The Built-in Coffee Maker features a stylish stainless steel finish and can be installed in multiple configurations to suit kitchen design and preference. With 13 beverage options, our Coffee Maker is designed to consistently pour delicious coffee – from Flat White to Latte or Americano. Favourite coffee styles are memorized for a fast brew with the push of a button. A programmable timer turns the Coffee Maker on at the ideal time each day, while the conical burr grinder delivers a consistent grind for a perfect coffee.

PRODUCTS

EB60DSX1

Built-in Coffee Maker, 60cm, Touchscreen, Stainless Steel

TK7630NDX1

Companion Trim Kit, 76cm, Stainless Steel

Note: Trim Kit purchased separately.

SERIES & STYLE

Series 9

Contemporary Stainless Steel

FEATURES

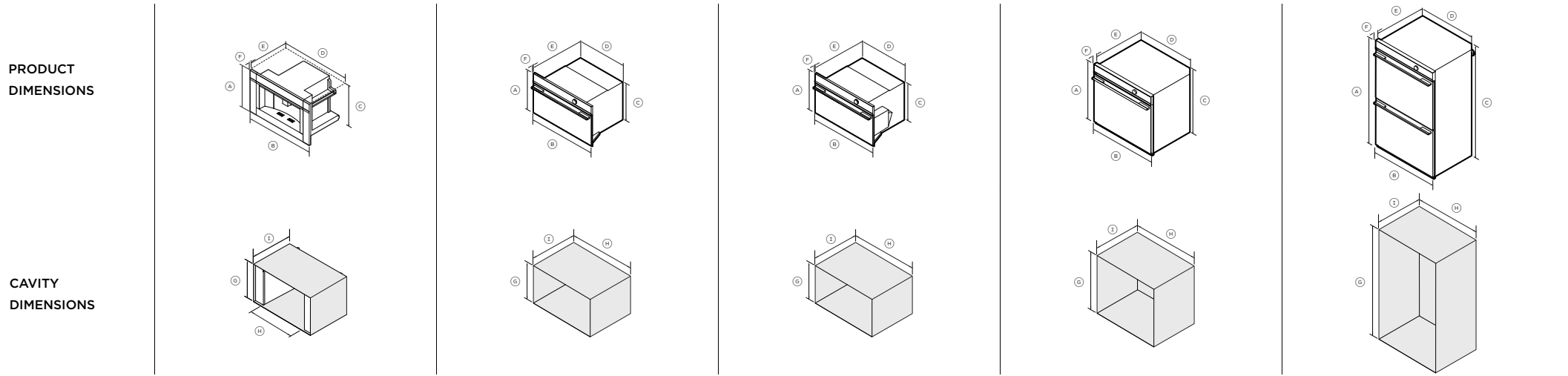
- ① Designed to pair perfectly with 76cm ovens and companion products
- ② Stylish stainless steel finish
- ③ Install in multiple configurations to suit your kitchen design
- ④ Intuitive touch display
- ⑤ 13 functions to suit any taste and selection – from Espresso to Latte
- ⑥ Personalised coffee and smart self-learning menu preferences
- ⑦ Stainless steel conical burr grinder with 13 coarseness positions
- ⑧ 15 bar pump pressure
- ⑨ Self-cleaning function and easy to empty coffee grounds container and drip tray
- ⑩ 2.5L water tank capacity

ACCESSORIES

- ① Thermal milk jug 0.5L*
- ② Water filter*
- ③ Coffee spoon*
- ④ Extractable steam outlet*
- ⑤ Descaling agent bottle*

*Included with product

The models shown in this Planning Guide may not be available in all markets and are subject to change at any time. Product specifications may vary from those shown. This Planning Guide should not be used as installation guidance for any product. Further information is required to safely and correctly install the products featured here. Specific installation guidance will be available on our website fisherpaykel.com



BUILT-IN COFFEE MAKER
EB60DSX1
Trim Kit TK7630NDX1

COMBINATION MICROWAVE OVEN
OM76NDTDX1

COMBINATION STEAM OVEN
OS76NDTDX1

OVEN
OB76SDPTDX2

DOUBLE OVEN
OB76DDPTDX2

PRODUCT DIMENSIONS	BUILT-IN COFFEE MAKER EB60DSX1 Trim Kit TK7630NDX1	COMBINATION MICROWAVE OVEN OM76NDTDX1	COMBINATION STEAM OVEN OS76NDTDX1	OVEN OB76SDPTDX2	DOUBLE OVEN OB76DDPTDX2
Ⓐ Overall height	458mm**	458mm	458mm	690mm	1232mm
Ⓑ Overall width	760mm**	760mm	760mm	760mm	760mm
Ⓒ Chassis height	445mm	435mm	435mm	674mm	1218mm
Ⓓ Chassis width	560mm	720mm	720mm	720mm	720mm
Ⓔ Chassis depth	460mm	545mm	545mm	569mm	569mm
Ⓕ Front panel thickness	20mm**	20mm	20mm	40mm	40mm
Depth of oven door fully open	-	320mm*	320mm*	550mm*	Upper door 550mm* Lower door 530mm*

* Measured from front of control panel

** Measurements with trim kit

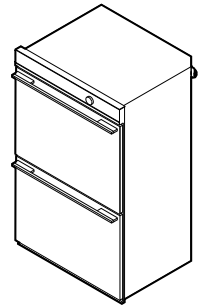
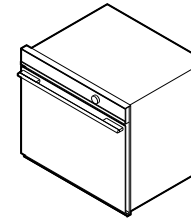
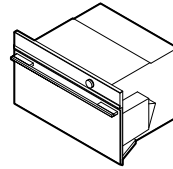
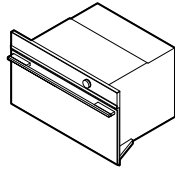
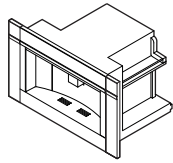
CAVITY DIMENSIONS - FLUSH INSTALLATION	BUILT-IN COFFEE MAKER EB60DSX1 Trim Kit TK7630NDX1	COMBINATION MICROWAVE OVEN OM76NDTDX1	COMBINATION STEAM OVEN OS76NDTDX1	OVEN OB76SDPTDX2	DOUBLE OVEN OB76DDPTDX2
Ⓒ Minimum inside height of cavity	450mm	440mm	440mm	681mm	1224mm
Ⓓ Minimum inside width of cavity	560mm**	724mm	724mm	724mm	724mm
Ⓙ Minimum inside depth of cavity***	580mm*	570mm*	570mm	615mm	615mm
Recommended cabinet width	764mm	764mm	764mm	764mm	764mm

*Requires ventilation at the rear of the cavity

**Cabinetry requires additional vertical sidewalls to secure the product

***Measured from front of control panel

The models shown in this Planning Guide may not be available in all markets and are subject to change at any time. Product specifications may vary from those shown. This Planning Guide should not be used as installation guidance for any product. Further information is required to safely and correctly install the products featured here. Specific installation guidance will be available on our website fisherpaykel.com



BUILT-IN COFFEE MAKER
EB60DSX1
Trim Kit TK7630NDX1

COMBINATION MICROWAVE OVEN
OM76NDTDX1

COMBINATION STEAM OVEN
OS76NDTDX1

OVEN
OB76SDPTDX2

DOUBLE OVEN
OB76DDPTDX2

POWER REQUIREMENTS

Supply	220-240 V, 50 Hz	220-240 V, 50 Hz	220-240 V, 50 Hz	220-240 V, 50 Hz	220-240 V, 50 Hz
Service	10 A	20 A	20 A	20 A	40 A
Connection	Flex cord 1700mm	Hard wired	Hard wired	Hard wired	Hard wired

WEIGHT

Packaged	EB60DSX1 33kg	55kg	55kg	110kg	184kg
Unpackaged	EB60DSX1 24kg	46kg	46kg	75kg	139kg

CAPACITY

Total oven		49L	55L	115L	115L per oven
Total water tank	2.5L	-	1.4L	-	-

SERVICES

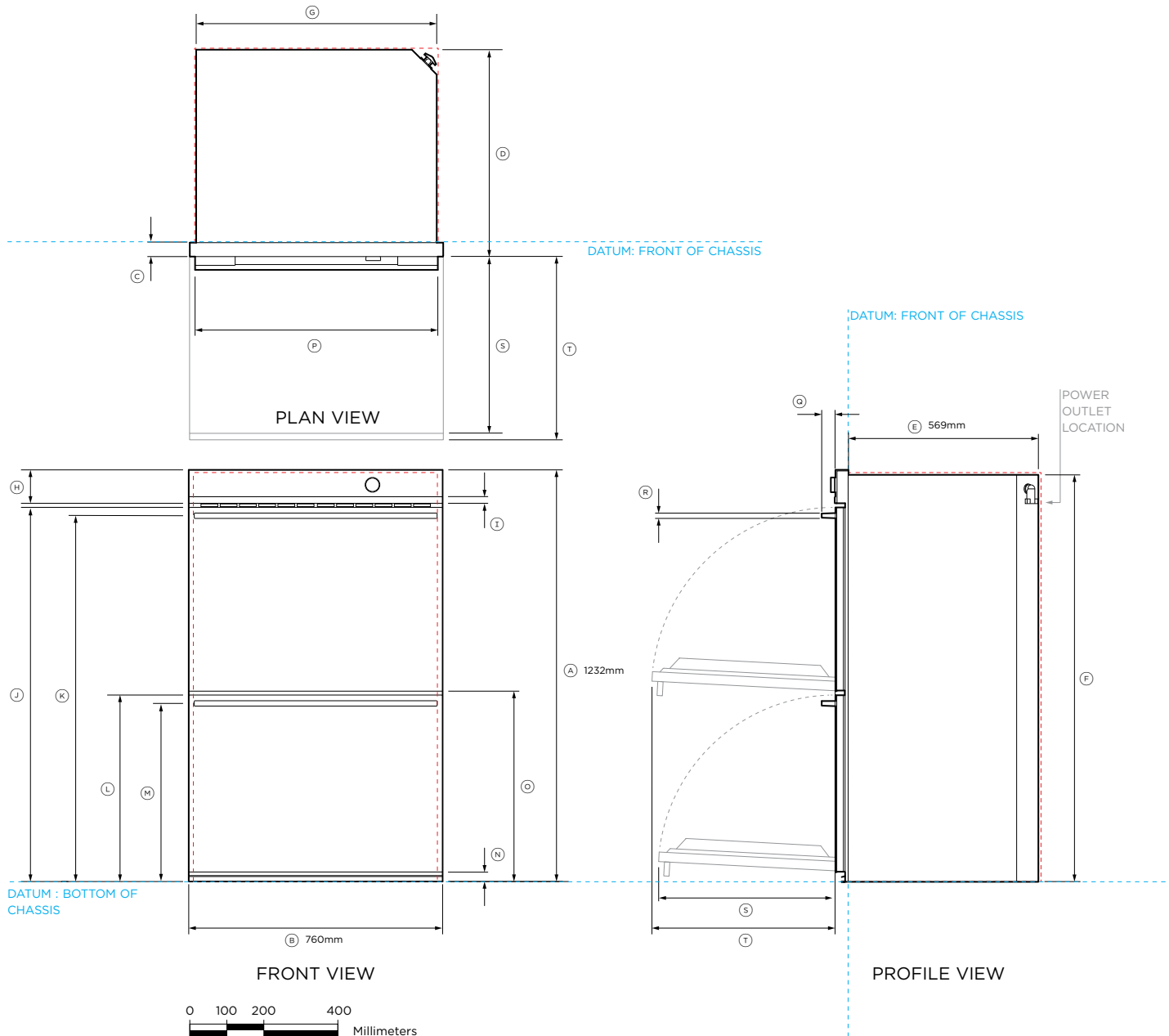
For more information on cord length, water supply and electrical requirements, refer to the 'Services' section of this Planning Guide.

WATER

All Coffee Makers and Steam Ovens have internal water tanks which need to be filled manually. No external water supply is required.

The models shown in this Planning Guide may not be available in all markets and are subject to change at any time. Product specifications may vary from those shown. This Planning Guide should not be used as installation guidance for any product. Further information is required to safely and correctly install the products featured here. Specific installation guidance will be available on our website fisherpaykel.com

DATA SHEETS



Model no:

Double Oven, 76cm - OB76DDPTDX2

Product Dimensions

	mm
Ⓐ Overall height of product	1232
Ⓑ Overall width of product	760
Ⓒ Depth of control panel (excludes handle, front stainless steel trim and dial)	40
Ⓓ Depth of chassis and control panel (excludes handle, front stainless steel trim and dial)	609
Ⓔ Depth of chassis	569
Ⓕ Height of chassis	1218
Ⓖ Width of chassis	720
Ⓜ Height of control panel	100
Ⓣ Height of stainless steel trim on control panel	20
Ⓝ Height from bottom datum to top of upper oven door	1120
Ⓚ Height from bottom datum to centerline upper of handle	1095
Ⓛ Height from bottom datum to top of lower oven door	558
Ⓜ Height from bottom datum to centerline of lower handle	533
Ⓝ Height from bottom datum to bottom of lower door	29
Ⓞ Height from bottom datum to bottom of upper door	570
Ⓟ Width of handle	727
Ⓢ Depth of handle	42
Ⓣ Thickness of handle	16
Ⓠ Depth of lower door when open (measured from front of door)	530
Ⓡ Depth of upper door when open (measured from front of door)	550

Minimum Clearances - Flush Installation

	mm
Minimum inside height of cavity	1224
Minimum inside width of cavity	724
Minimum inside depth of cavity*	615
Minimum clearance above oven control panel to upper cabinetry front panel or appliance	2
Minimum clearance between bottom of oven chassis to lower cabinetry front panel or appliance	2

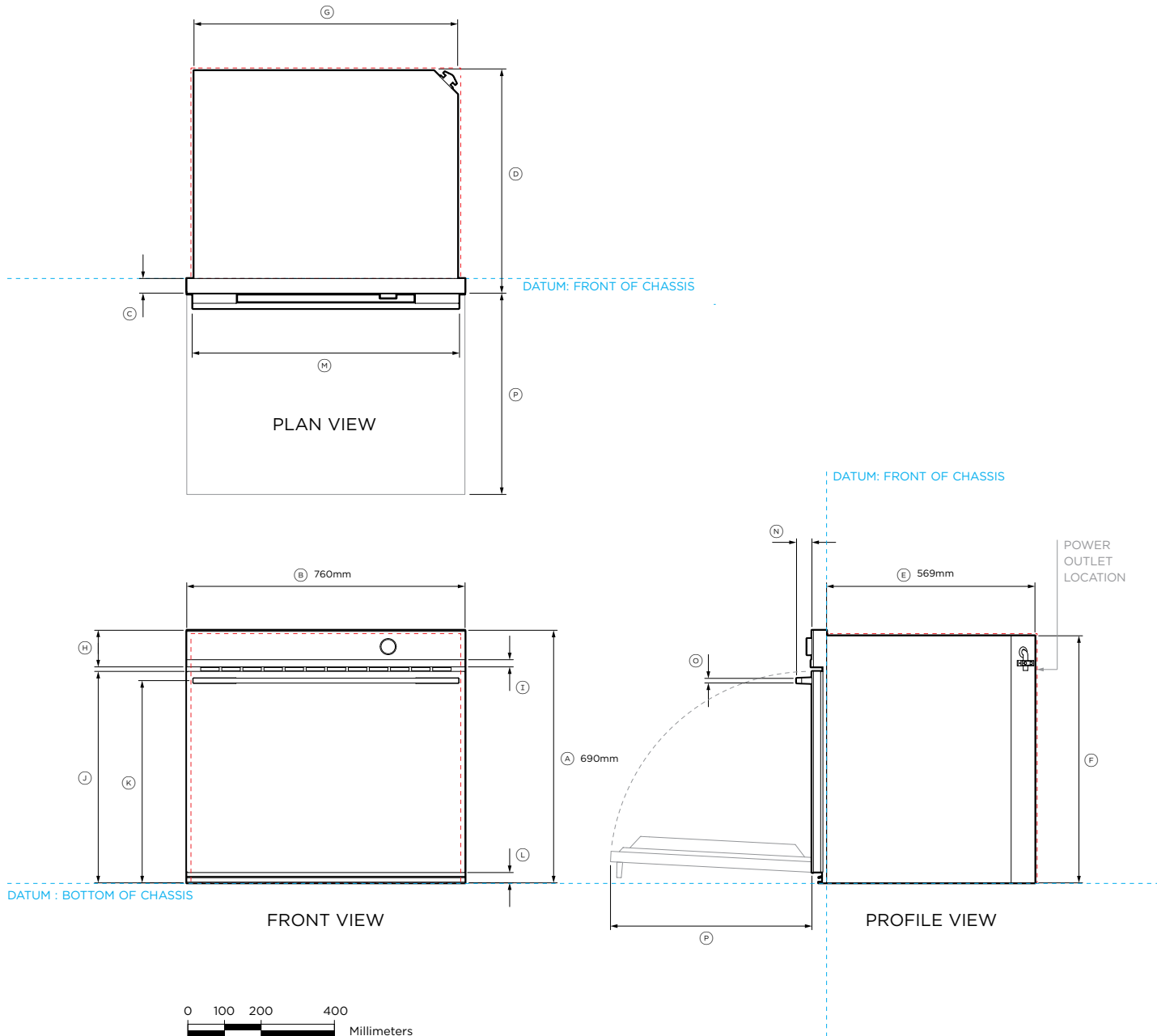
*Measured from front of control panel

Note: Depending on cabinet panel thickness a rebate around control panel might be required.

IMPORTANT NOTE: For full installation and clearance details please refer to our installation manual.

INDICATES CABINETRY / PRODUCT DATUM -----
 INDICATES CABINETRY CLEARANCES - - - - -

IMPORTANT NOTE: Throughout this guide, dimensions may vary by ±2mm (1/16"). Please read the Installation Guide for detailed information on installing the product. For full installation instructions visit fisherpaykel.com



Model no:

Oven, 76cm - OB76SDPTDX2

Product Dimensions

	mm
A Overall height of product	690
B Overall width of product	760
C Depth of control panel (excludes handle, front black aluminum trim and dial)	40
D Depth of chassis and control panel (excludes handle, front black aluminum trim and dial)	609
E Depth of chassis	569
F Height of chassis	674
G Width of chassis	720
H Height of control panel	100
I Height of black aluminum trim on control panel	20
J Height from bottom datum to top of oven door	578
K Height from bottom datum to centerline of handle	553
L Height from bottom datum to bottom of door	28
M Width of handle	727
N Depth of handle	42
O Thickness of handle	16
P Depth of door when open (measured from front of door)	550

Minimum Clearances - Flush Installation

	mm
Minimum inside height of cavity	681
Minimum inside width of cavity	724
Minimum inside depth of cavity*	615
Minimum clearance above oven control panel to upper cabinetry front panel or appliance	2
Minimum clearance between bottom of oven chassis to lower cabinetry front panel or appliance	2

*Measured from front of control panel

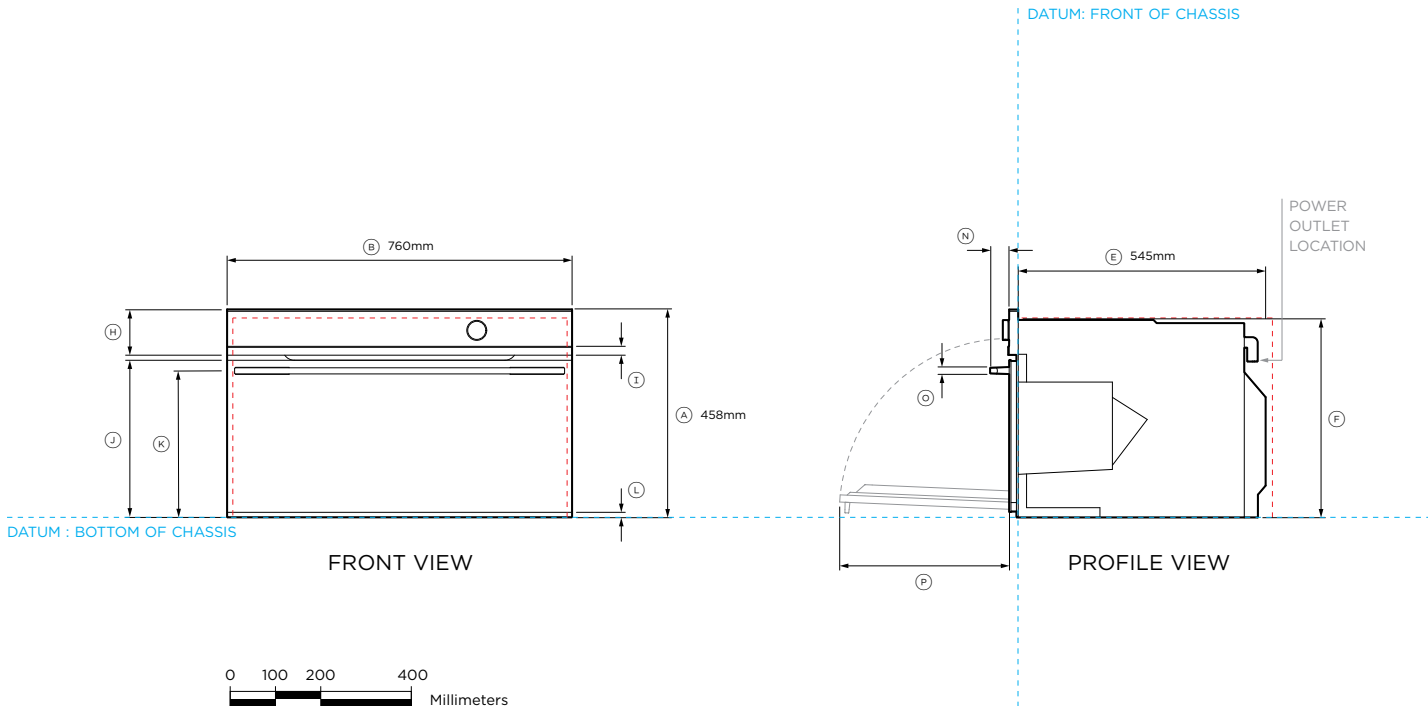
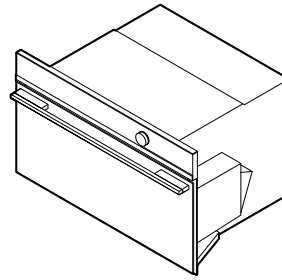
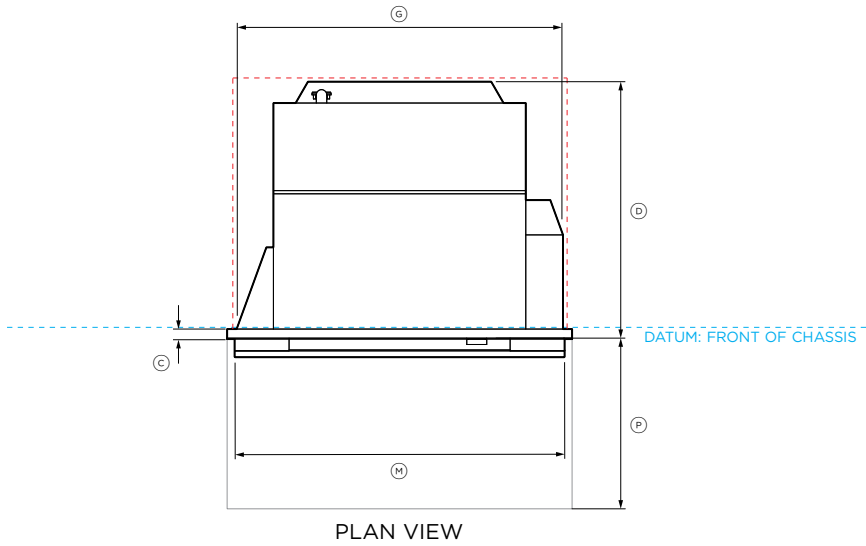
Note: Depending on cabinet panel thickness a rebate around control panel might be required.

Ensure a 5mm minimum clearance is maintained between the top of the oven chassis and the cabinetry. Ensure the oven is not bearing any weight from cabinetry or products installed above.

IMPORTANT NOTE: For full installation and clearance details please refer to our installation manual.

INDICATES CABINETRY / PRODUCT DATUM -----
 INDICATES CABINETRY CLEARANCES - - - - -

IMPORTANT NOTE: Throughout this guide, dimensions may vary by ±2mm (1/16"). Please read the Installation Guide for detailed information on installing the product. For full installation instructions visit fisherpaykel.com



Model no:

Combination Steam Oven, 76cm - OS76NDTDX1

Product Dimensions

	mm
Ⓐ Overall height of product	458
Ⓑ Overall width of product	760
Ⓒ Depth of control panel (excludes handle, front black aluminum trim and dial)	20
Ⓓ Depth of chassis and control panel (excludes handle, front black aluminum trim and dial)	565
Ⓔ Depth of chassis	545
Ⓕ Height of chassis	435
Ⓖ Width of chassis	720
Ⓜ Height of control panel	100
Ⓣ Height of black aluminum trim on control panel	20
Ⓝ Height from bottom datum to top of oven door	347
Ⓚ Height from bottom datum to centerline of handle	324
Ⓛ Height from bottom datum to bottom of door	12
Ⓜ Width of handle	727
Ⓝ Depth of handle	42
Ⓞ Thickness of handle	16
Ⓟ Depth of door when open (measured from front of door)	320

Minimum Clearances - Flush Installation

	mm
Minimum inside height of cavity	440
Minimum inside width of cavity	724
Minimum inside depth of cavity*	570
Minimum clearance above oven control panel to upper cabinetry front panel or appliance	2
Minimum clearance between bottom of oven chassis to lower cabinetry front panel or appliance	2

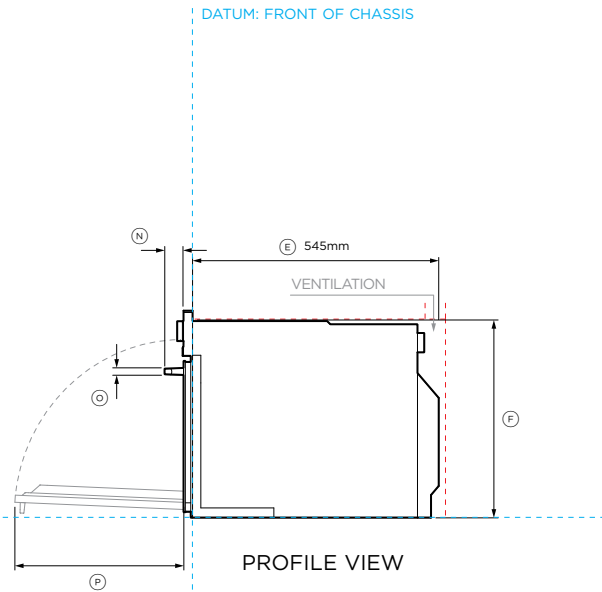
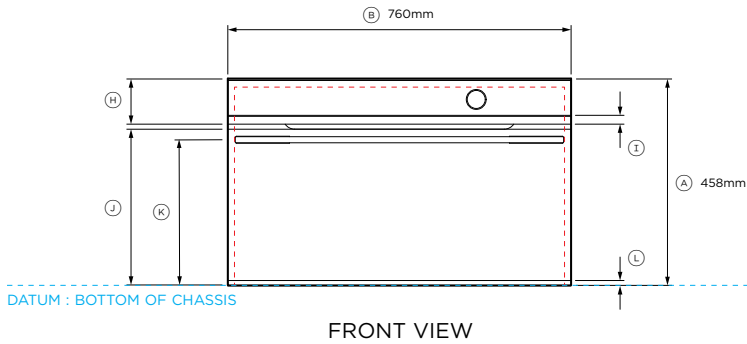
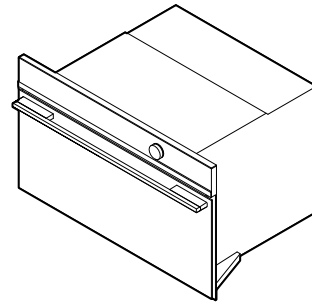
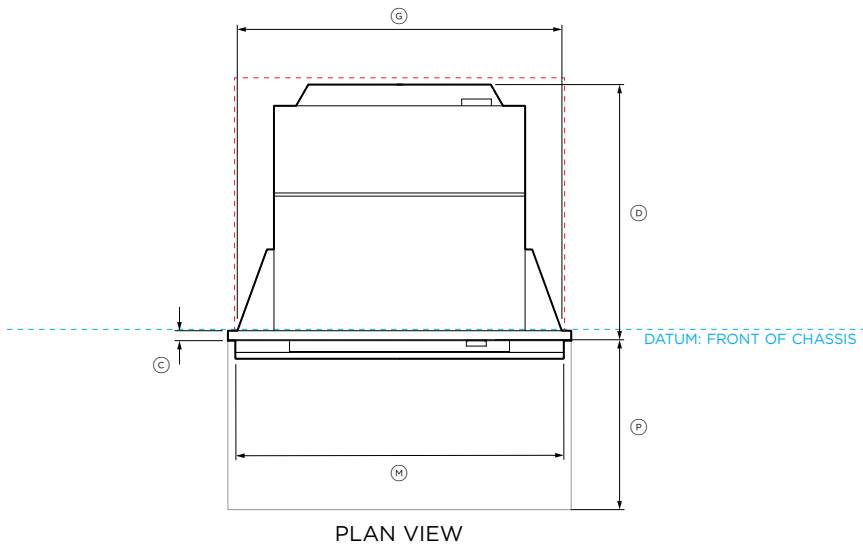
*Measured from front of control panel

Ensure a 5mm minimum clearance is maintained between the top of the oven chassis and the cabinetry. Ensure the oven is not bearing any weight from cabinetry or products installed above.

IMPORTANT NOTE: For full installation and clearance details please refer to our installation manual.

INDICATES CABINETRY / PRODUCT DATUM -----
 INDICATES CABINETRY CLEARANCES - - - - -

IMPORTANT NOTE: Throughout this guide, dimensions may vary by ±2mm (1/16"). Please read the Installation Guide for detailed information on installing the product. For full installation instructions visit fisherpaykel.com



Model no:

Combination Microwave Oven 76cm - OM76NDTDX1

Product Dimensions

	mm
Ⓐ Overall height of product	458
Ⓑ Overall width of product	760
Ⓒ Depth of control panel (excludes handle, front black aluminum trim and dial)	20
Ⓓ Depth of chassis and control panel (excludes handle, front black aluminum trim and dial)	565
Ⓔ Depth of chassis	545
Ⓕ Height of chassis	435
Ⓖ Width of chassis	720
Ⓜ Height of control panel	100
Ⓣ Height of black aluminum trim on control panel	20
ⓙ Height from bottom datum to top of oven door	347
Ⓚ Height from bottom datum to centerline of handle	324
Ⓛ Height from bottom datum to bottom of door	12
Ⓜ Width of handle	727
Ⓝ Depth of handle	42
Ⓞ Thickness of handle	16
Ⓟ Depth of door when open (measured from front of door)	320

Minimum Clearances - Flush Installation

	mm
Minimum inside height of cavity	440
Minimum inside width of cavity	724
Minimum inside depth of cavity*	570
Rear ventilation depth**	50
Rear ventilation width**	560
Minimum clearance above oven control panel to upper cabinetry front panel or appliance	2
Minimum clearance between bottom of oven chassis to lower cabinetry front panel or appliance	2

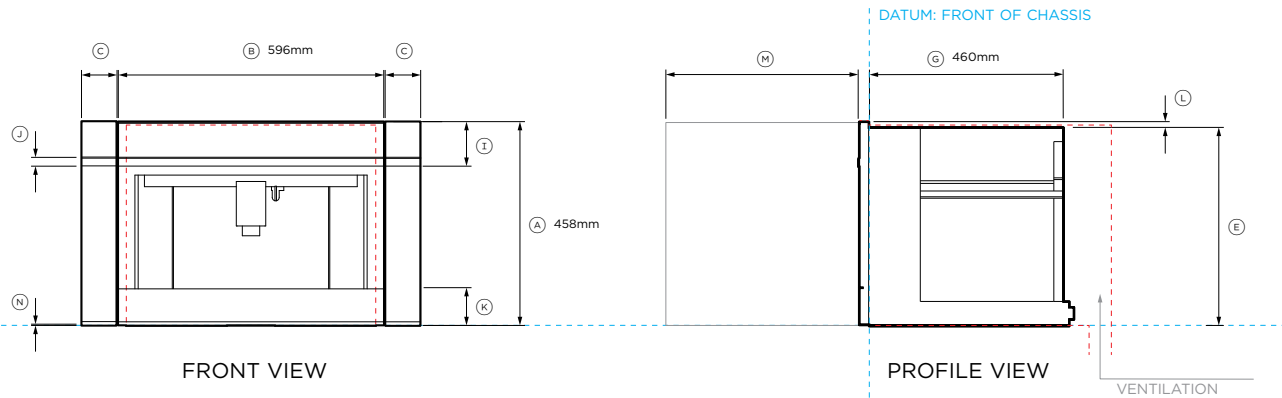
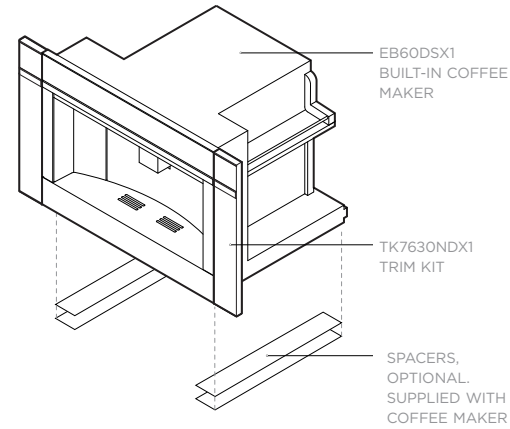
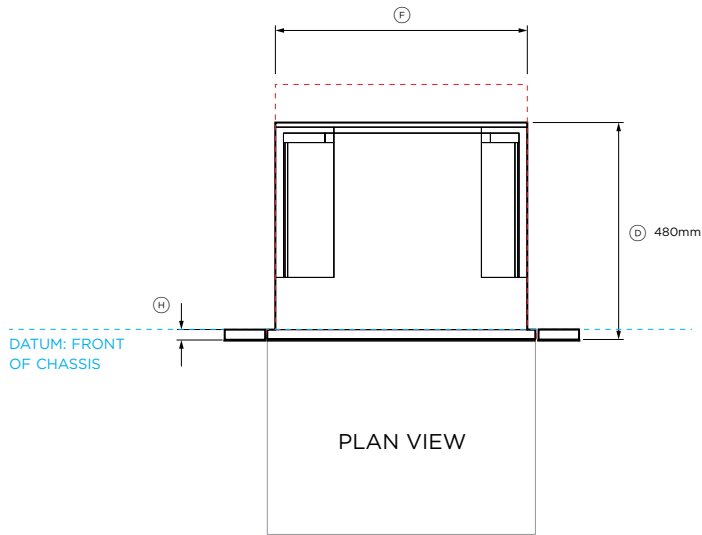
*Measured from front of control panel

**Rear ventilation totalling 280cm² is required. The air vent must be located at the rear of cabinet, it can be positioned at the base, sides, back or top of the cavity.

IMPORTANT NOTE: For full installation and clearance details please refer to our installation manual.

INDICATES CABINETRY / PRODUCT DATUM -----
INDICATES CABINETRY CLEARANCES - - - - -

IMPORTANT NOTE: Throughout this guide, dimensions may vary by ±2mm (1/16"). Please read the Installation Guide for detailed information on installing the product. For full installation instructions visit fisherpaykel.com



Model no:

Built-in Coffee Maker, 60cm - EB60DSX1
Trim Kit, 76cm - TK7630NDX1

Product Dimensions

	mm
Ⓐ Overall height of built-in coffee maker and trim kit	458
Ⓑ Overall width of built-in coffee maker	596
Ⓒ Overall width of trim kit	79
Ⓓ Overall depth of built-in coffee maker and trim kit (excludes front metal trim)	480
Ⓔ Height of chassis of built-in coffee maker	445
Ⓕ Width of chassis of built-in coffee maker	560
Ⓖ Depth of chassis of built-in coffee maker	460
Ⓗ Depth of coffee maker front frame and control panel (excludes front metal trim)	20
Ⓘ Height of control panel	100
Ⓙ Height of metal cap on control panel	20
Ⓚ Height of horizontal lower section from bottom datum	85
Ⓛ Stepdown from control panel to chassis	13
Ⓜ Extent built-in coffee maker pulls out (measured from glass front)	435
Ⓝ Height from bottom datum to lower edge of glass	3

Minimum Clearances - Flush Installation

	mm
Minimum inside height of cavity	450
Minimum inside width of cavity	560
Minimum inside depth of cavity*	580
Rear ventilation depth**	50
Rear ventilation width**	560
Minimum clearance above Trim Kit to upper cabinetry front panel or appliance	2
Minimum clearance between bottom of Trim Kit to lower cabinetry front panel or appliance	2

*Measured from front of control panel

**Rear ventilation totalling 280cm² is required. The air vent must be located at the rear of cabinet, it can be positioned at the base, sides, back or top of the cavity.

IMPORTANT NOTE: For full installation and clearance details please refer to our installation manual.

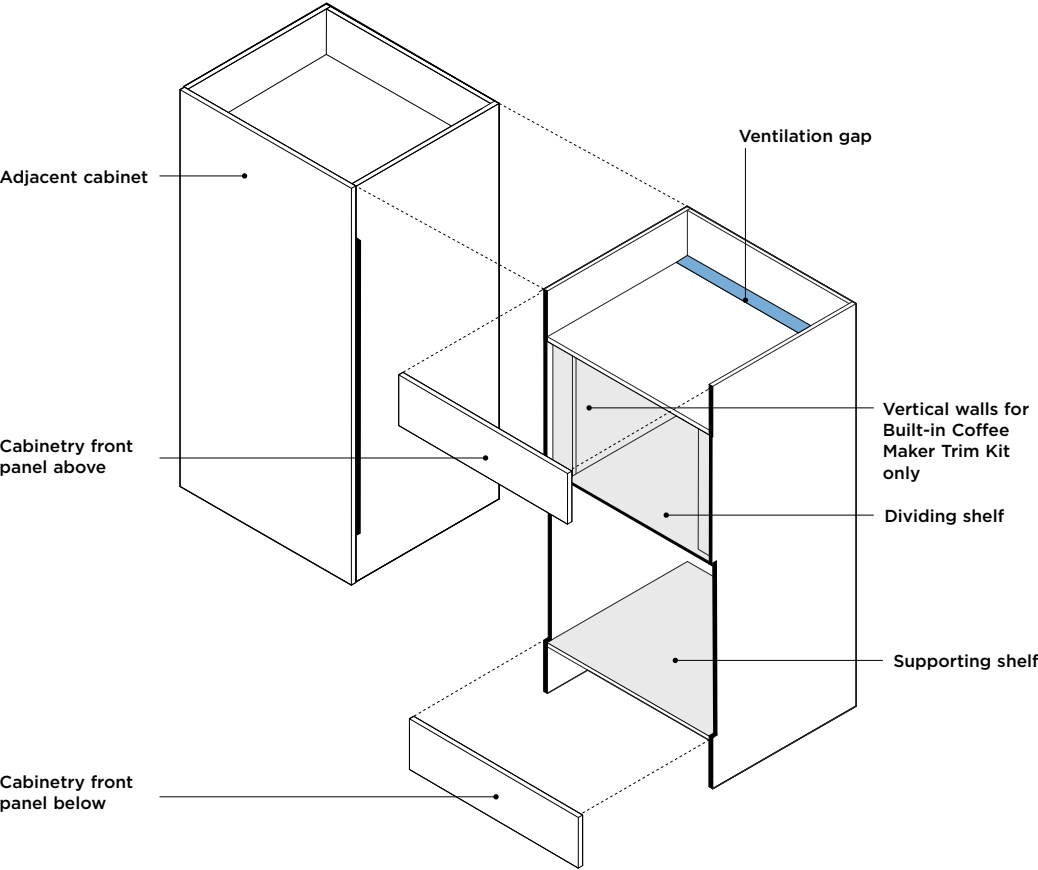
INDICATES CABINETRY / PRODUCT DATUM -----
INDICATES CABINETRY CLEARANCES - - - - -

IMPORTANT NOTE: Throughout this guide, dimensions may vary by ±2mm (1/16"). Please read the Installation Guide for detailed information on installing the product. For full installation instructions visit fisherpaykel.com

PLANNING CONSIDERATIONS

BLACK CLASHING

Black clashing recommended on front facing edges where products are located and on side cabinets if cabinet is rebated.

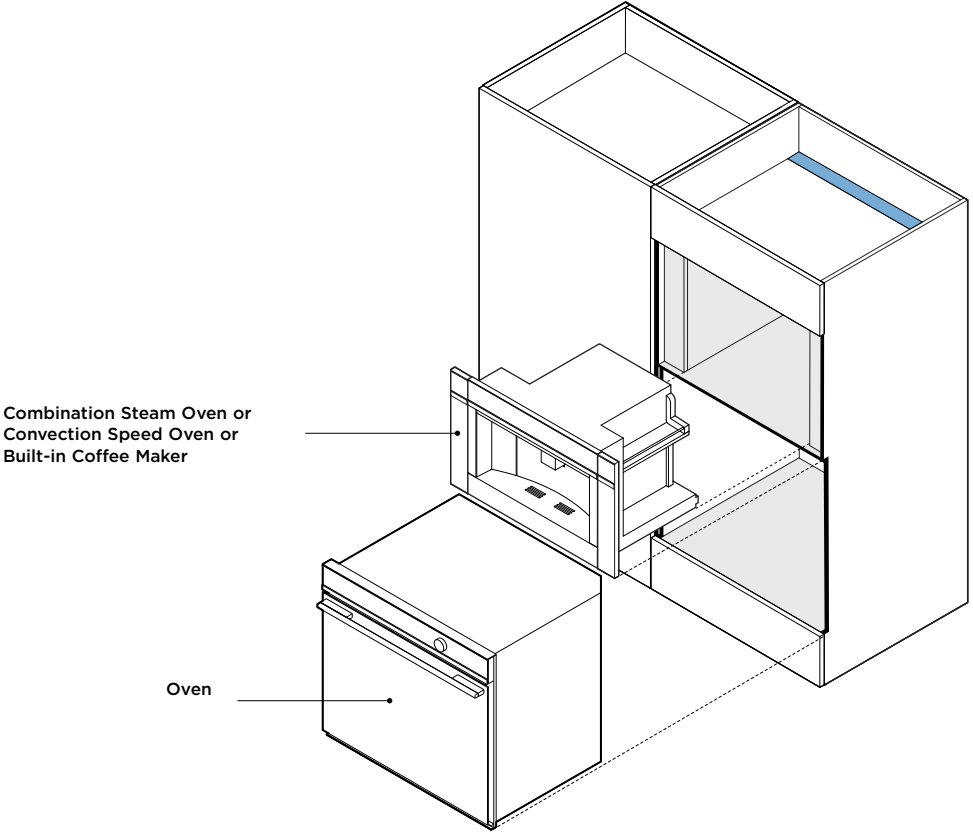


DIVIDING SHELF

If the cabinetry front panels are thinner than 20mm (less than the thickness of the appliance front) a rebate is required for the appliance to achieve a flush finish.

LEVEL CABINETRY

Check the shelves are level and the side panels are straight.



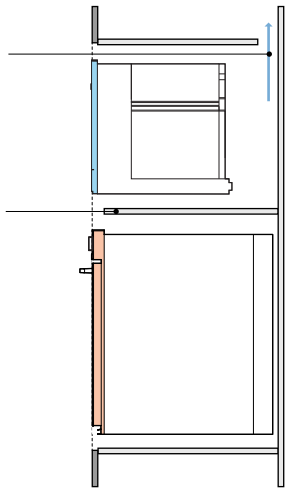
The models shown in this Planning Guide may not be available in all markets and are subject to change at any time. Product specifications may vary from those shown. This Planning Guide should not be used as installation guidance for any product. Further information is required to safely and correctly install the products featured here. Specific installation guidance will be available on our website fisherpaykel.com

Ventilation air vent is required at rear for some products.

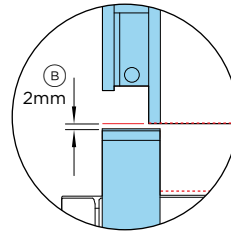
Dividing shelves are required to support stacked appliances and to achieve correct clearance.

Dividing shelves must be constructed from material that will support the weight of the appliances.

Ensure the oven is not bearing any weight from cabinetry or products installed above.



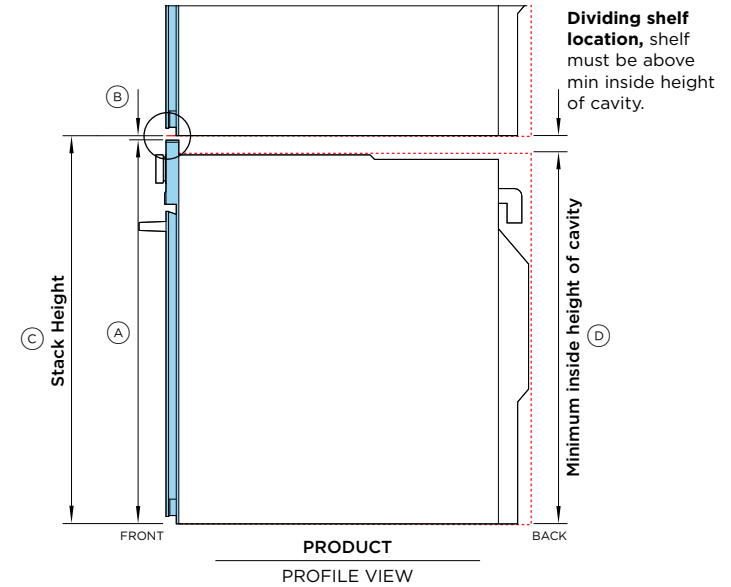
STACK EXPLODED
PROFILE VIEW



Minimum clearance above appliance control panel to upper appliance

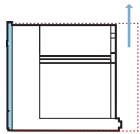
STACK HEIGHT

$$\begin{aligned}
 & \textcircled{A} \text{ Overall product height} \\
 & + \\
 & \textcircled{B} \text{ Minimum clearance above appliance control panel or front panel to upper appliance} \\
 & = \\
 & \textcircled{C} \text{ Stacked Height}
 \end{aligned}$$

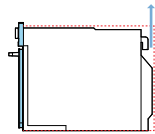


Dividing shelf location, shelf must be above min inside height of cavity.

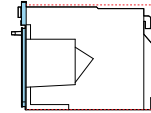
MINIMUM DIMENSION CLEARANCES



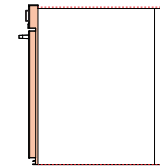
BUILT-IN COFFEE MAKER
EB60DSX1
Trim Kit TK7630NDX1



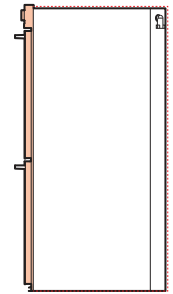
COMBINATION MICROWAVE OVEN
OM76NDTDX1



COMBINATION STEAM OVEN
OS76NDTDX1



OVEN
OB76SDPTDX2



DOUBLE OVEN
OB76DDPTDX2

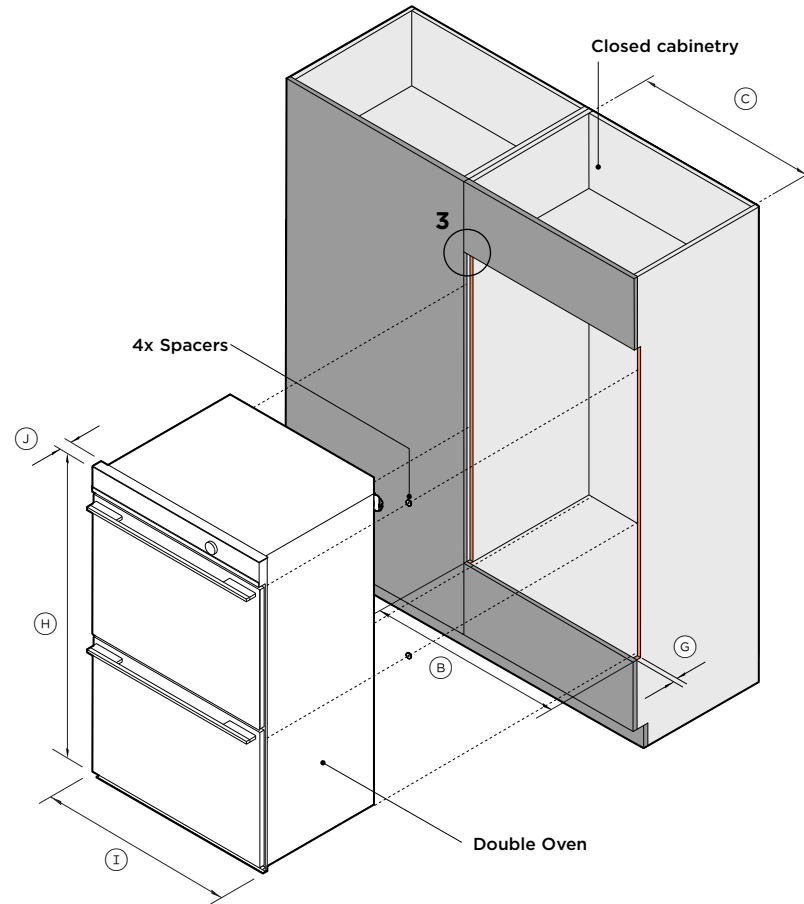
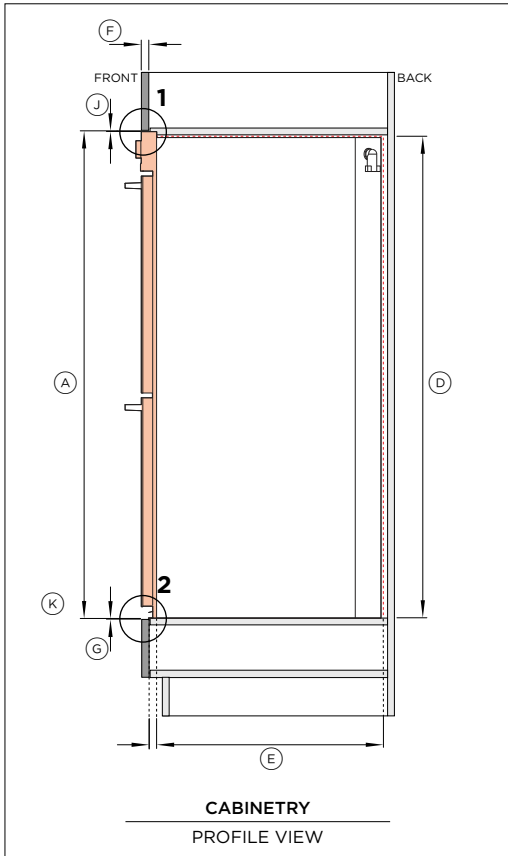
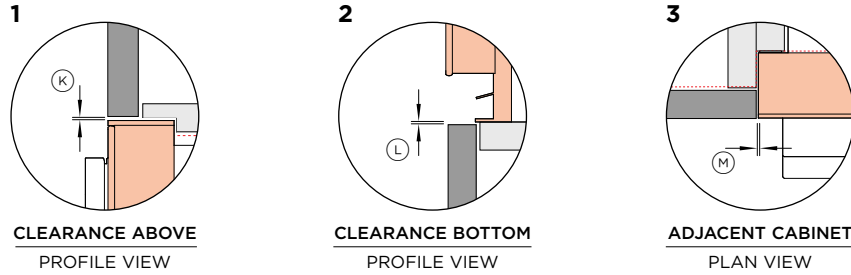
DIMENSIONS

Ⓐ Overall product height	458mm*	458mm	458mm	690mm	1232mm
Ⓑ Minimum clearance above	-	2mm	2mm	2mm	2mm
Ⓒ Stack height	460mm	460mm	460mm	692mm	1234mm
Ⓓ Minimum inside height of cavity	440mm	440mm	440mm	681mm	1224mm

*Includes Built-in Coffee Maker rail height

NOTE: Stack height is overall product height with minimum clearance above appliance control panel or front panel to upper appliance.

The models shown in this Planning Guide may not be available in all markets and are subject to change at any time. Product specifications may vary from those shown. This Planning Guide should not be used as installation guidance for any product. Further information is required to safely and correctly install the products featured here. Specific installation guidance will be available on our website fisherpaykel.com



Model no:
Double Oven, 76cm - OB76DDPTDX2

Cabinetry Dimensions - Flush Installation		mm
Ⓐ	Overall cabinet height*	1234
Ⓑ	Overall cabinet width	764
Ⓒ	Minimum inside width of cavity	724
Ⓓ	Minimum inside height of cavity	1224
Ⓔ	Minimum inside depth of cavity	575
Ⓕ	Thickness of cabinetry front panel**	19
Ⓖ	Thickness of rebate for control panel***	23

*Overall cabinet height is overall product height with minimum clearance above oven control panel to upper cabinetry front panel

**Cabinetry shown in drawings 19mm panels

***Oven requires 2mm spacers for screws (supplied x 4)

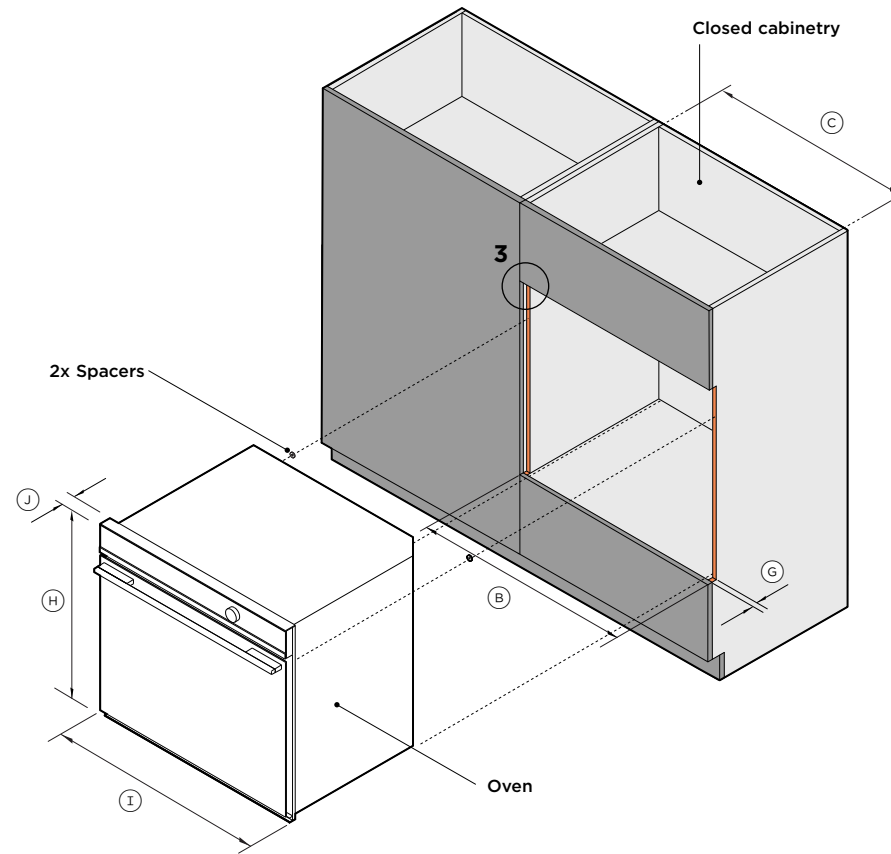
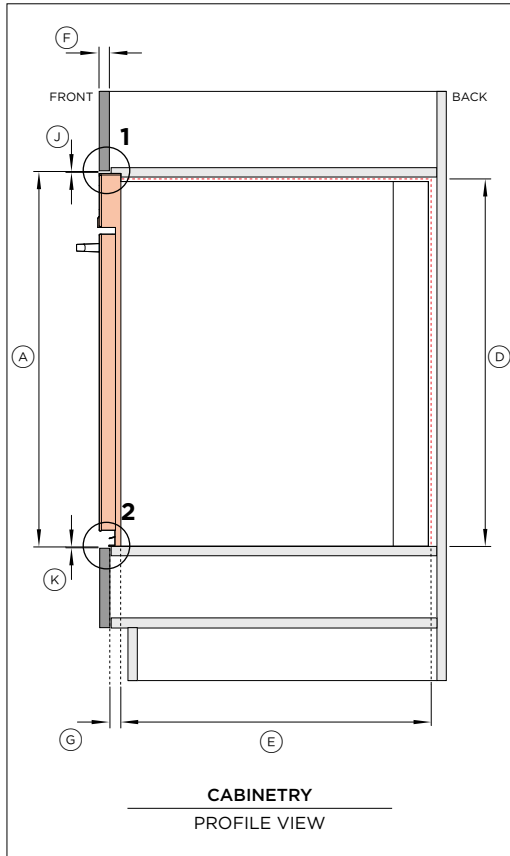
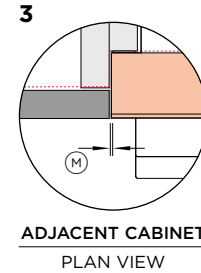
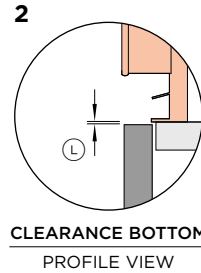
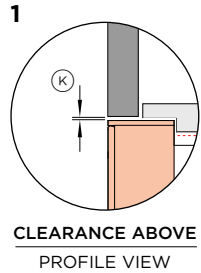
Product Dimensions		mm
Ⓗ	Overall height of product	1232
Ⓘ	Overall width of product	760
Ⓚ	Thickness of oven control panel	40

Cabinetry Clearances		mm
Ⓛ	Minimum clearance above oven control panel to upper cabinetry front panel	2
Ⓜ	Minimum clearance between bottom of oven chassis to lower cabinetry front panel	2
Ⓝ	Minimum clearance between adjacent front panel or appliance	2

The models shown in this Planning Guide may not be available in all markets and are subject to change at any time. Product specifications may vary from those shown. This Planning Guide should not be used as installation guidance for any product. Further information is required to safely and correctly install the products featured here. Specific installation guidance will be available on our website fisherpaykel.com

COOKTOP CLEARANCE

If installing a cooktop above the oven, ensure adequate clearance is provided for the cooktop as per the cooktop manufacturer's instructions.



Model no:
Oven, 76cm - OB76SDPTDX2

Cabinetry Dimensions - Flush Installation		mm
Ⓐ	Overall cabinet height*	692
Ⓑ	Overall cabinet width	764
Ⓒ	Minimum inside width of cavity	724
Ⓓ	Minimum inside height of cavity	681
Ⓔ	Minimum inside depth of cavity	575
Ⓕ	Thickness of cabinetry front panel**	19
Ⓖ	Thickness of rebate for control panel***	23

*Overall cabinet height is overall product height with minimum clearance above oven control panel to upper cabinetry front panel

**Cabinetry shown in drawings 19mm panels

***Oven requires 2mm spacers for screws (supplied x 2)

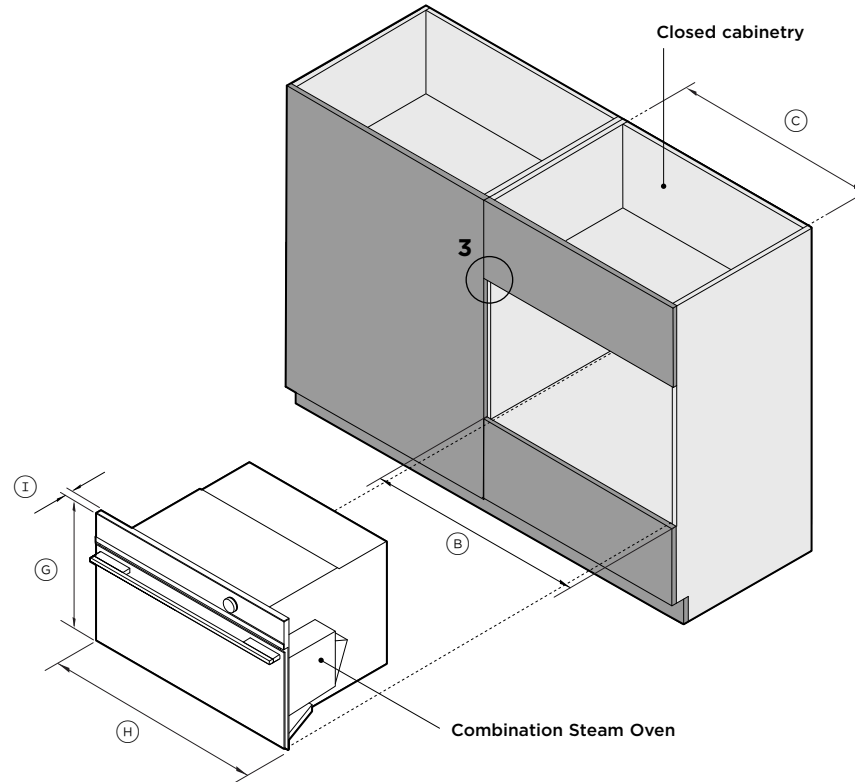
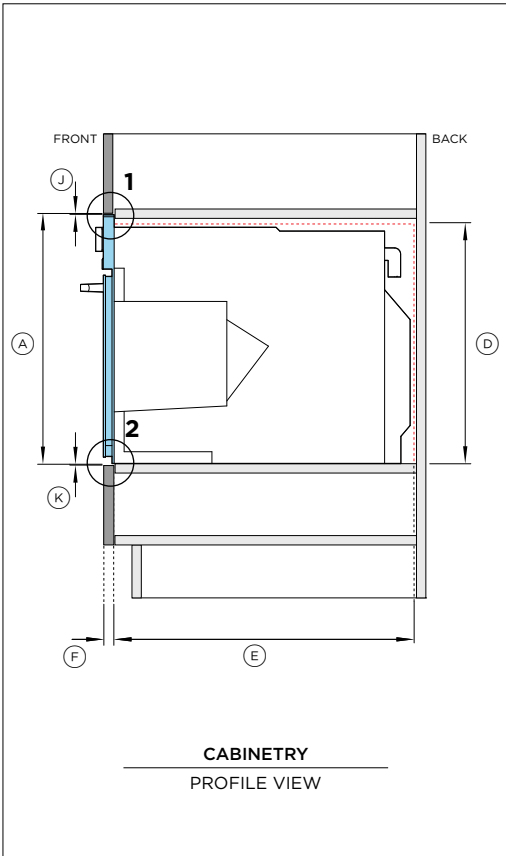
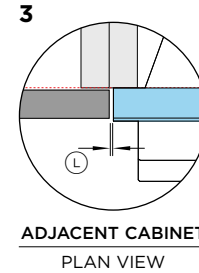
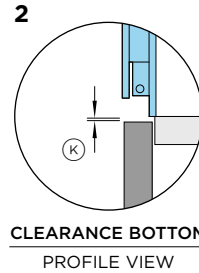
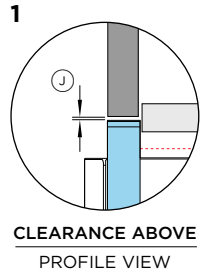
Product Dimensions		mm
Ⓓ	Overall height of product	690
Ⓘ	Overall width of product	760
Ⓢ	Thickness of oven control panel	40

Cabinetry Clearances		mm
Ⓚ	Minimum clearance above oven control panel to upper cabinetry front panel	2
Ⓛ	Minimum clearance between bottom of oven chassis to lower cabinetry front panel	2
Ⓜ	Minimum clearance between adjacent front panel or appliance	2

The models shown in this Planning Guide may not be available in all markets and are subject to change at any time. Product specifications may vary from those shown. This Planning Guide should not be used as installation guidance for any product. Further information is required to safely and correctly install the products featured here. Specific installation guidance will be available on our website fisherpaykel.com

COOKTOP CLEARANCE

If installing a cooktop above the oven, ensure adequate clearance is provided for the cooktop as per the cooktop manufacturer's instructions.



Model no:
Combination Steam Oven, 76cm - OS76NDTDX1

Cabinetry Dimensions - Flush Installation		mm
Ⓐ	Overall cabinet height*	460
Ⓑ	Overall cabinet width	764
Ⓒ	Minimum inside width of cavity	724
Ⓓ	Minimum inside height of cavity	440
Ⓔ	Minimum inside depth of cavity	550
Ⓕ	Thickness of cabinetry front panel**	16-20

*Overall cabinet height is overall product height with minimum clearance above oven control panel to upper cabinetry front panel

**Cabinetry shown in drawings 19mm panels. If the front panel is thinner than 20mm a rebate for the Oven is required to achieve a flush finish

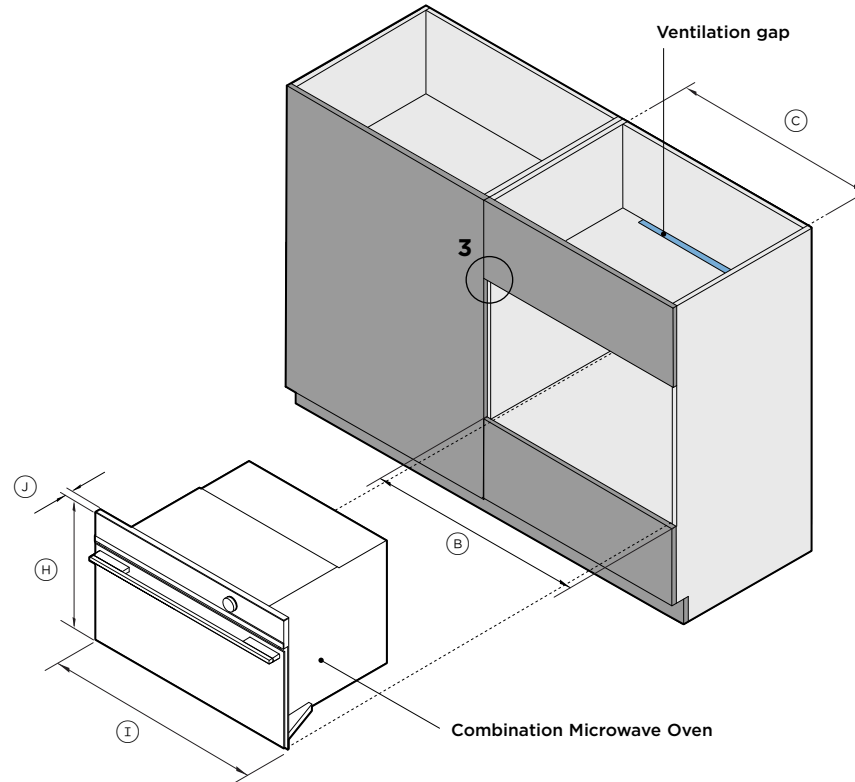
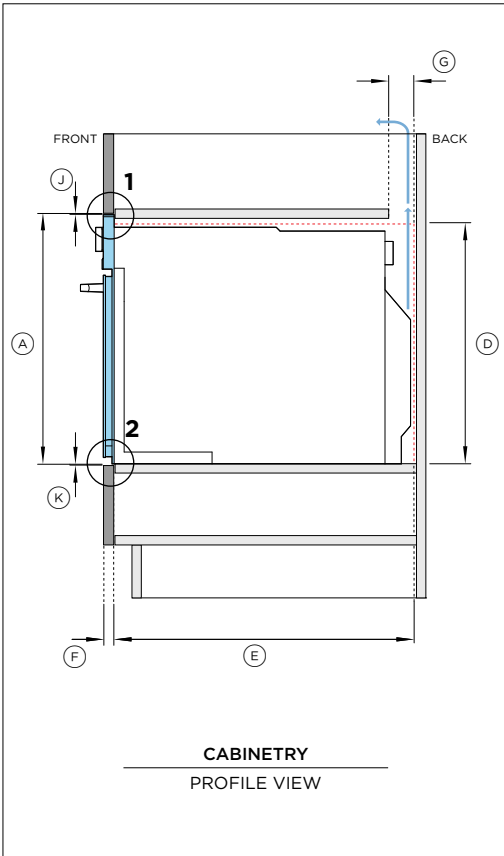
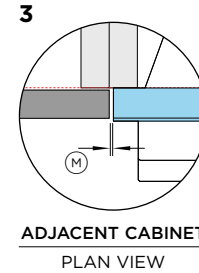
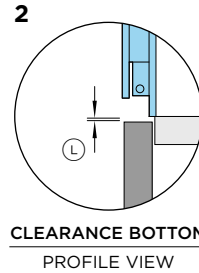
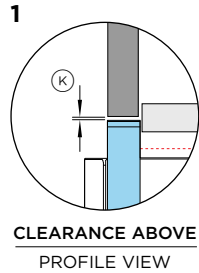
Product Dimensions		mm
Ⓖ	Overall height of product	458
Ⓖ	Overall width of product	760
Ⓘ	Thickness of oven front panel	20

Cabinetry Clearances		mm
⓵	Minimum clearance above oven control panel to upper cabinetry front panel	2
⓶	Minimum clearance between bottom of oven chassis to lower cabinetry front panel	2
⓷	Minimum clearance between adjacent front panel or appliance	2

The models shown in this Planning Guide may not be available in all markets and are subject to change at any time. Product specifications may vary from those shown. This Planning Guide should not be used as installation guidance for any product. Further information is required to safely and correctly install the products featured here. Specific installation guidance will be available on our website fisherpaykel.com

VENTILATION

Ventilation of 50mm x 560mm or totalling 280cm² is required. The air vent must be located at the rear of cabinet, it can be positioned at the base, top, sides, or back.



Model no:
Combination Microwave Oven, 76cm - OM76NDTDX1

Cabinetry Dimensions - Flush Installation	inch	mm
Ⓐ Overall cabinet height*	18 1/8	460
Ⓑ Overall cabinet width	30 1/16	764
Ⓒ Minimum inside width of cavity	28 1/2	724
Ⓓ Minimum inside height of cavity	17 5/16	440
Ⓔ Minimum inside depth of cavity	21 5/8	550
Ⓕ Thickness of cabinetry front panel**	5/8-13/16	16-20
Ⓖ Ventilation gap***	2	50

*Overall cabinet height is overall product height with minimum clearance above oven control panel to upper cabinetry front panel

**Cabinetry shown in drawings 19mm panels. If the front panel is thinner than 20mm a rebate for the Oven is required to achieve a flush finish

***A rear ventilation air vent totalling 280cm² is required. The air vent must be located at the rear of the cabinet, it can be positioned at the base, sides, back or top of the cavity.

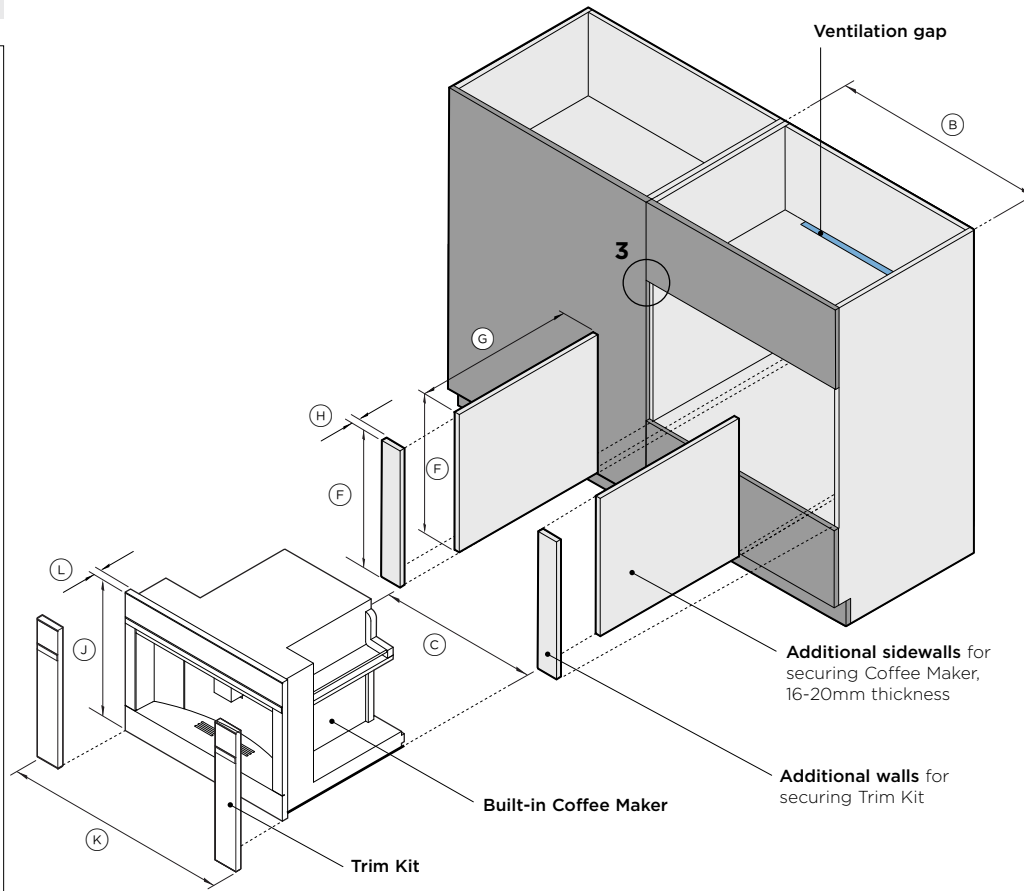
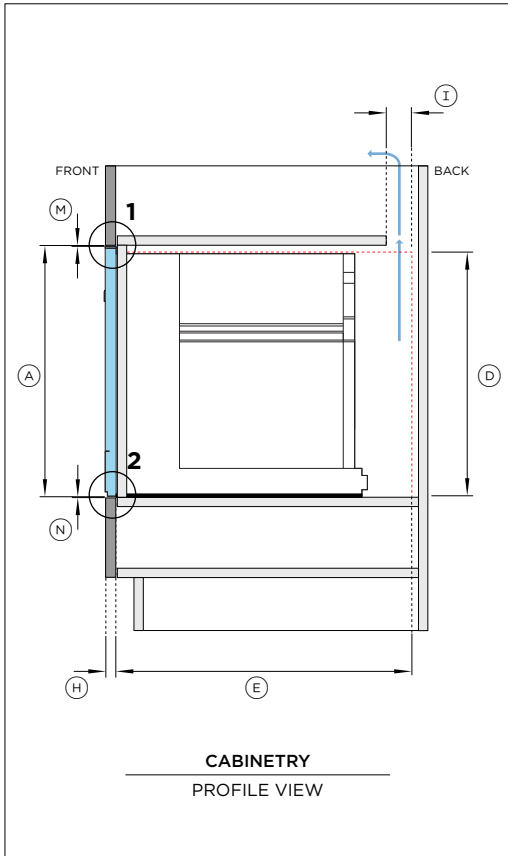
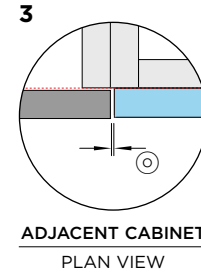
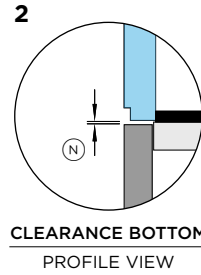
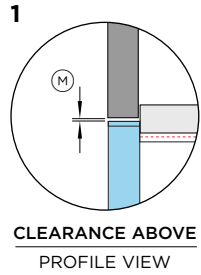
Product Dimensions	inch	mm
Ⓜ Overall height of product	18	458
Ⓨ Overall width of product	29 15/16	760
Ⓩ Thickness of oven front panel	13/16	20

Cabinetry Clearances	inch	mm
Ⓧ Minimum clearance above oven control panel to upper cabinetry front panel	1/16	2
Ⓦ Minimum clearance between bottom of oven chassis to lower cabinetry front panel	1/16	2
ⓐ Minimum clearance between adjacent front panel or appliance	1/16	2

The models shown in this Planning Guide may not be available in all markets and are subject to change at any time. Product specifications may vary from those shown. This Planning Guide should not be used as installation guidance for any product. Further information is required to safely and correctly install the products featured here. Specific installation guidance will be available on our website fisherpaykel.com

VENTILATION

Ventilation of 50mm x 560mm or totalling 280cm² is required. The air vent must be located at the rear of cabinet, it can be positioned at the base, top, sides, or back.



Model no:
Built-in Coffee Maker, 60cm - EB60DSX1
Trim Kit, 76cm - TK7630NDX1

Cabinetry Dimensions - Flush Installation		mm
Ⓐ	Overall cabinet height with trim kit*	460
Ⓑ	Overall cabinet width	764
Ⓒ	Minimum inside width of cavity	560
Ⓓ	Minimum inside height of cavity	450
Ⓔ	Minimum inside depth of cavity	580
Ⓕ	Minimum height of additional side walls	450
Ⓖ	Minimum depth of additional side walls**	561
Ⓗ	Thickness of cabinetry front panel**	16-20
Ⓘ	Ventilation gap***	50

*Overall cabinet height is overall product height with minimum clearance above coffee maker control panel to upper cabinetry front panel
**Cabinetry shown in drawings 19mm panels.
***A rear ventilation air vent totalling 280cm² is required. The air vent must be located at the rear of the cabinet, it can be positioned at the base, sides, back or top of the cavity.

Product Dimensions		mm
Ⓐ	Overall height of built-in coffee maker and trim kit	458
Ⓑ	Overall width of built-in coffee maker and trim kit	760
Ⓒ	Thickness of built-in coffee maker and trim kit front panel	20

Cabinetry Clearances		mm
Ⓜ	Minimum clearance above trim kit front panel to upper cabinetry front panel	2
Ⓝ	Minimum clearance between bottom of trim kit to lower cabinetry front panel	2
Ⓞ	Minimum clearance between adjacent front panel or appliance	2

The models shown in this Planning Guide may not be available in all markets and are subject to change at any time. Product specifications may vary from those shown. This Planning Guide should not be used as installation guidance for any product. Further information is required to safely and correctly install the products featured here. Specific installation guidance will be available on our website fisherpaykel.com

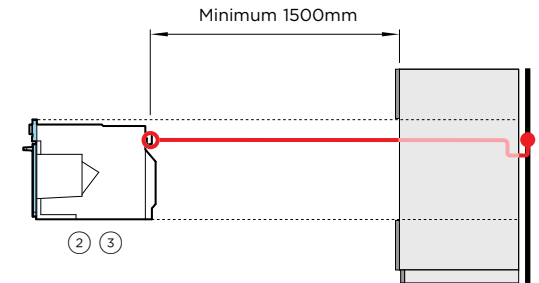
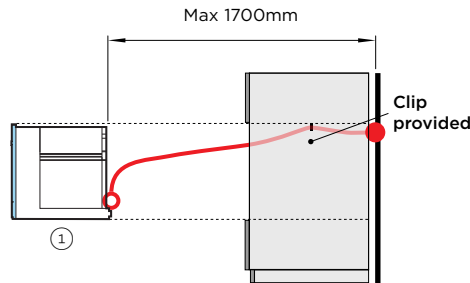
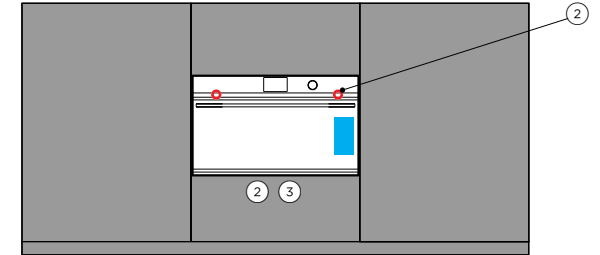
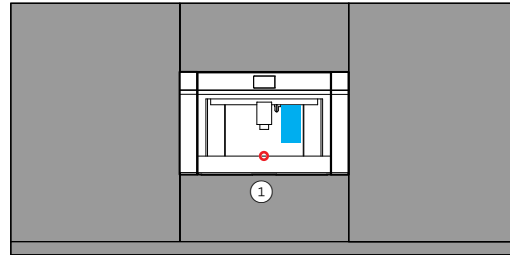
SERVICES

CONNECTION

Connections may be located in an adjacent cabinet to either side of the appliance. Ensure power will remain accessible following install to allow access for any future product maintenance.

BUILT-IN COFFEE MAKER

The power cable must be long enough to allow the appliance to be extracted from the cabinet to fill the coffee bean container. Fix the power cable with the clip.



- Power Cable
- Water Tank

① **BUILT-IN COFFEE MAKER**
EB60DSX1

② **COMBINATION MICROWAVE OVEN**
OM76NDTDX1

③ **COMBINATION STEAM OVEN**
OS76NDTDX1

POWER CORD

Maximum power cord length	1700mm*	-	-
Power cord free length	-	Minimum 1500mm**	Minimum 1500mm**
Location	Lower centered	Upper right	Upper left
Connection	Flex cord	Hard wired***	Hard wired***

*Measured from power outlet

**The electrician provides sufficient free length of power supply cable to reach from the bottom rear of the cavity to at least 1500mm in front of the bottom edge of the opening

***For more information, refer to the Installation Guide. Ensure power will remain accessible following install to allow access for any future product maintenance.

WATER

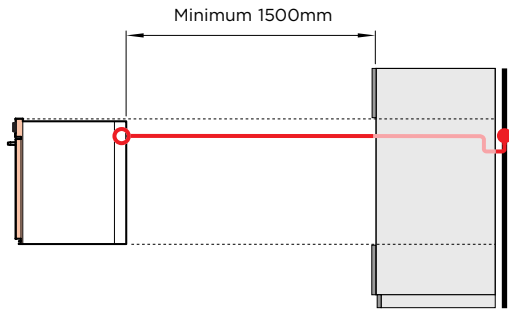
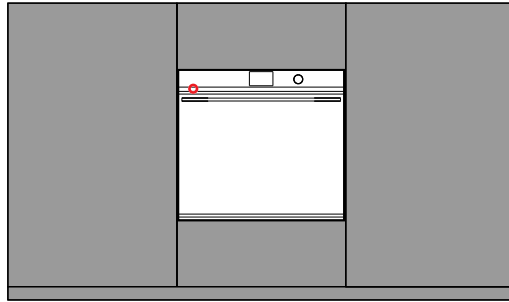
Total Capacity	2.4L	-	1.4L
Location	Water tank (internal)	-	Water tank (internal)

ELECTRICAL

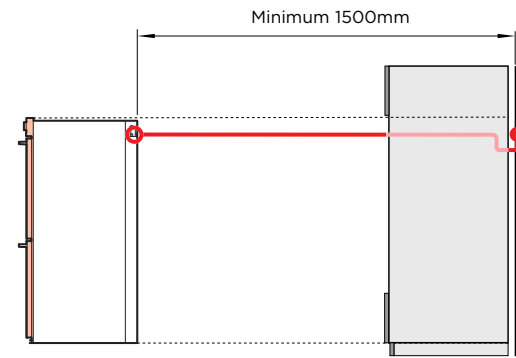
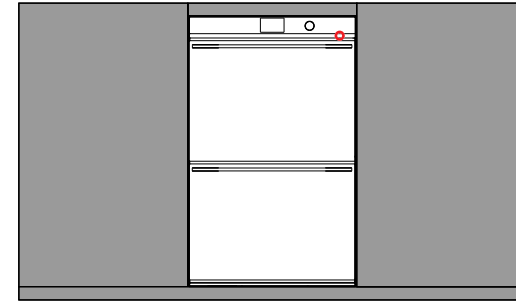
Supply	220-240 V, 50 Hz	220-240 V, 50 Hz	220-240 V, 50 Hz
Service	10 A	20 A	20 A

Note: Multiple product installation requires the design of power outlets according to local regulations.

The models shown in this Planning Guide may not be available in all markets and are subject to change at any time. Product specifications may vary from those shown. This Planning Guide should not be used as installation guidance for any product. Further information is required to safely and correctly install the products featured here. Specific installation guidance will be available on our website fisherpaykel.com



OVEN
OB76SDPTDX2



DOUBLE OVEN
OB76DDPTDX2

Power Cable

POWER CORD

Power cord free length	Minimum 1500mm*	Minimum 1500mm*
Location	Upper left	Upper right
Connection	Hard wire**	Hard wire**

*The electrician provides sufficient free length of power supply cable to reach from the bottom rear of the cavity to at least 1500mm in front of the bottom edge of the opening

**For more information, refer to the Installation Guide. Ensure power will remain accessible following install to allow access for any future product maintenance.

WATER

Total Capacity	-	-
Location	-	-

ELECTRICAL

Supply	220-240 V, 50 Hz	220-240 V, 50 Hz
Service	20 A	40 A

Note: Multiple product installation requires the design of power outlets according to local regulations.

The models shown in this Planning Guide may not be available in all markets and are subject to change at any time. Product specifications may vary from those shown. This Planning Guide should not be used as installation guidance for any product. Further information is required to safely and correctly install the products featured here. Specific installation guidance will be available on our website fisherpaykel.com

