

**30" CONTEMPORARY OVENS AND  
COMPANIONS**

---

**PLANNING GUIDE**

---

**SERIES 9 & 11**

**SELF-CLEANING OVEN** | OB30SCPUDX3

**SELF-CLEANING STEAM ASSIST OVEN** | OB30SCPSUDX3

**COMBI-STEAM** | OS30SCUDX3

**COMPACT COMBI-STEAM** | OS30NCUDX3

**COMPACT CONVECTION-SPEED** | OM30NCUDX3

**WARMING DRAWER** | WB30SCX3, WB30SDEI3

**VACUUM DRAWER** | VB30SCX3, VB30SDEI3

**FISHER & PAYKEL**

**INTRODUCTION**

This comprehensive planning guide provides you with the framework and tools to achieve your desired design outcome with Fisher & Paykel appliances. In this guide, you will find a range of conceptual, detailed, and dimensional product information to bring your ideas to life and create spaces that truly reflect your vision.

**SUPPORT**

For additional design planning and installation support please contact the Fisher & Paykel design support team.  
**designsupport@fisherpaykel.com**

**NOTES**

The models shown in this Planning Guide may not be available in all markets and are subject to change at any time. Refer to our website fisherpaykel.com for the latest document version. Product specifications may vary from those shown. This Planning Guide should not be used as installation guidance for any product. Specific installation guidance will be available with the product on delivery and on our website.

**CONCEPT DESIGN PAGE**

**DESIGN CHOICE**

Styles	4
Contemporary Family	5
Installation Options	6
Overview	7

**SPECIFICATION GUIDE**

Self-Cleaning Oven	9
Self-Cleaning Steam Assist Oven	10
Combi-Steam Oven	11
Compact Combi-Steam Oven	12
Compact Convection-Speed Oven	13
Warming Drawer	14
Integrated Warming Drawer	15
Vacuum Seal Drawer	16
Integrated Vacuum Seal Drawer	17
Dimensions - Ovens	18
Dimensions - Compact Ovens	19
Dimensions - Drawers	20
Services	21

**DEVELOPED AND DETAILED DESIGN PAGE**

**DATA SHEETS**

Self-Cleaning Oven	23
Self-Cleaning Steam Assist Oven	24
Combi-Steam Oven	25
Compact Combi-Steam Oven	26
Compact Convection-Speed Oven	27
Warming Drawer	28
Integrated Warming Drawer	29
Vacuum Seal Drawer	30
Integrated Vacuum Seal Drawer	31

**DEVELOPED AND DETAILED DESIGN PAGE**

**PLANNING CONSIDERATIONS**

Cabinetry Preparation	33
Clearances	34
Stack Height	35
Self-Cleaning Oven	36
Self-Cleaning Steam Assist Oven	37
Combi-Steam Oven	38
Compact Combi-Steam Oven	39
Compact Convection-Speed Oven	40
Warming Drawer	41
Integrated Warming Drawer	42
Vacuum Seal Drawer	43
Integrated Vacuum Seal Drawer	44

**SERVICES**

Power Cord Length and Location - Ovens	46
Power Cord Length and Location - Compact Ovens	47
Power Cord Length and Location - Companions	48

## DESIGN CHOICE



MINIMAL STYLE - HANDLELESS

MINIMAL STYLE

CONTEMPORARY STYLE

PROFESSIONAL STYLE

Celebrating a singular aesthetic to blend seamlessly into the kitchen, Minimal style ovens feature subtle textural and tonal contrasts for a sense of refinement and purity.

Defined by clean lines and timeless design cues, Contemporary style ovens bring a sense of balance and refinement. A versatile aesthetic that complements a range of kitchen styles.

Distinctive and bold, Professional style ovens are the perfect interpretation of the commercial kitchen for the home chef. Experience refined performance with stainless steel construction that is built to last.

This Planning Guide is for the Contemporary style featuring 30" Ovens and Companions. For information on other styles, please visit the Fisher and Paykel website. To see what models are available, head to the 'Overview' section in this Planning Guide.

The models shown in this Planning Guide may not be available in all markets and are subject to change at any time. Product specifications may vary from those shown. This Planning Guide should not be used as installation guidance for any product. Further information is required to safely and correctly install the products featured here. Specific installation guidance will be available with the product on delivery and on our website fisherpaykel.com

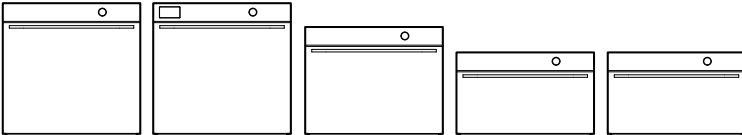
FINISH



Brushed Silver Glass

OVENS

SELF-CLEANING	SELF-CLEANING STEAM ASSIST	STEAM	SPEED
---------------	----------------------------	-------	-------

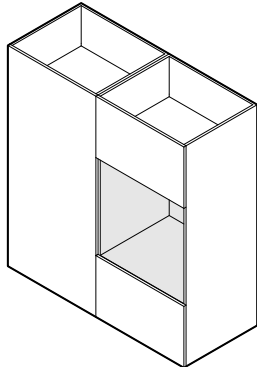


COMPANIONS

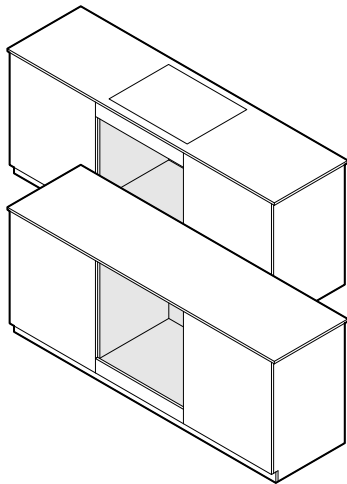
WARMING DRAWERS  
VACUUM SEAL DRAWERS



INSTALLATION OPTIONS



Installation in wall



Installation under-bench

\*Integrated model, panel ready for a custom front panel.

The models shown in this Planning Guide may not be available in all markets and are subject to change at any time. Product specifications may vary from those shown. This Planning Guide should not be used as installation guidance for any product. Further information is required to safely and correctly install the products featured here. Specific installation guidance will be available with the product on delivery and on our website fisherpaykel.com

STACKED INSTALLATION

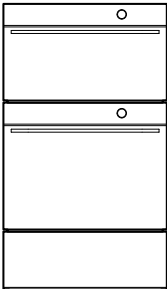
GRID INSTALLATION

ROW INSTALLATION

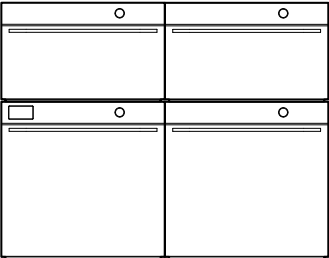
**CONSIDERATIONS**  
Different configurations possible, consider heights for grid and row installations.

**STACK HEIGHT**  
Stack Height is overall product height with minimum clearance above appliance front panel to upper cabinetry front panel or appliance.

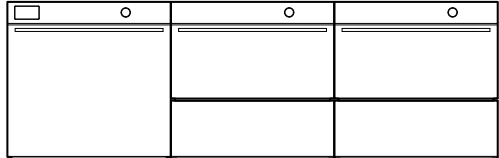
Stack Height  
52 3/8" (1331mm)



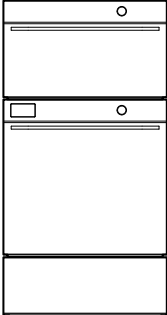
Stack Height  
46 7/8" (1191mm)



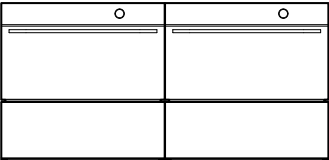
Stack Height  
28 3/4" (731mm)



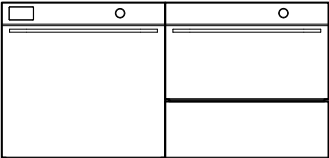
Stack Height  
57 9/16" (1462mm)



Stack Height  
28 3/4" (731mm)



Stack Height  
28 3/4" (731mm)



The models shown in this Planning Guide may not be available in all markets and are subject to change at any time. Product specifications may vary from those shown. This Planning Guide should not be used as installation guidance for any product. Further information is required to safely and correctly install the products featured here. Specific installation guidance will be available with the product on delivery and on our website fisherpaykel.com

	FRONT ELEVATION		SIDE ELEVATION		FUNCTIONALITY		COMPANIONS	
	<b>SELF-CLEANING OVEN</b>	<b>SELF-CLEANING STEAM ASSIST OVEN</b>	<b>COMBI-STEAM OVEN</b>	<b>COMPACT COMBI-STEAM OVEN</b>	<b>COMPACT CONVECTION-SPEED OVEN</b>	<b>WARMING DRAWER</b>	<b>VACUUM SEAL DRAWER</b>	
Series	Series 9	Series 11	Series 11	Series 9	Series 9	Series 9	Series 9	
Brushed Silver Glass Models	OB30SCPUDX3	OB30SCPSUDX3	OS30SCUDX3	OS30NCUDX3	OM30NCUDX3	WB30SCX3	VB30SCX3	
Integrated Models	-	-	-	-	-	WB30SDEI3	VB30SDEI3	
Interface	6.8" Touchscreen	6.8" Touchscreen	6.8" Touchscreen	6.8" Touchscreen	6.8" Touchscreen	-	-	
Overall Height	28 11/16" (729mm)	28 11/16" (729mm)	23 9/16" (598mm)	18" (458mm)	18" (458mm)	10 11/16" (271mm)	10 11/16" (271mm)	
Front Panel Thickness	13/16" (20mm)	13/16" (20mm)	13/16" (20mm)	13/16" (20mm)	13/16" (20mm)	13/16" (20mm)	13/16" (20mm)	

\*Integrated models available.

The models shown in this Planning Guide may not be available in all markets and are subject to change at any time. Product specifications may vary from those shown. This Planning Guide should not be used as installation guidance for any product. Further information is required to safely and correctly install the products featured here. Specific installation guidance will be available with the product on delivery and on our website fisherpaykel.com

# **SPECIFICATION GUIDE**

## SERIES 11 & 9



### OVERVIEW

Designed to be distinctive and timeless, this Contemporary oven matches with our Contemporary style family of appliances. Pyrolytic self-cleaning simplifies maintenance, while precise cooking methods with temperature and heat type recommendations for a wide range of food types are easily accessed via the large touch screen and SmartHQ™.

### PRODUCTS

#### OB30SCPUDX3

30" Series 9 Contemporary Self-Cleaning Oven

### SERIES & STYLE

Series 9  
Contemporary



### FEATURES

- ① Contemporary style is distinctive and timeless. Designed to match with our Contemporary style family of appliances
- ② Self-cleaning pyrolytic function breaks down food residue for an easy clean
- ③ Premium soft-close door with advanced thermal performance
- ④ Generous 4.6 cu ft useable capacity
- ⑤ Large 6.8" touchscreen is intuitive and easy to use
- ⑥ Create perfect results with precise cooking methods, with temperature and heat type recommendations for your food type
- ⑦ Twin vertical fans, perfect for multi-shelf cooking
- ⑧ Includes a wired temperature sensor for real-time monitoring of cooking temperatures
- ⑨ Connected capability via the SmartHQ™ app gives control & visibility from anywhere at anytime

### ACCESSORIES

- ① Self-cleaning-proof Side Ladders
- ② Full Extension Sliding Shelf (x3)
- ③ Multi-functional Air Fry Tray
- ④ Roasting Dish
- ⑤ Wired Temperature Sensor

The models shown in this Planning Guide may not be available in all markets and are subject to change at any time. Product specifications may vary from those shown. This Planning Guide should not be used as installation guidance for any product. Further information is required to safely and correctly install the products featured here. Specific installation guidance will be available with the product on delivery and on our website [fisherpaykel.com](https://fisherpaykel.com)



### OVERVIEW

Designed to be distinctive and timeless, this Contemporary oven matches with our Contemporary style family of appliances. Steam Assist enhances convection cooking, while pyrolytic cleaning simplifies maintenance. Precise cooking methods with temperature and heat type recommendations for a wide range of food types are easily accessed via the large touch screen and SmartHQ™.

### PRODUCTS

#### OB30SCPSUDX3

30" Series 11 Contemporary Self-Cleaning Steam Assist Oven

### SERIES & STYLE

Series 11  
Contemporary

### ACCESSORIES

- ① Self-cleaning-proof Side Ladders
- ② Full Extension Sliding Shelf (x3)
- ③ Multi-functional Air Fry Tray
- ④ Roasting Dish
- ⑤ Wired Temperature Sensor
- ⑥ Descale Solution - 2 sachets (Part 580925)

### FEATURES

- ① Contemporary style is distinctive and timeless. Designed to match with our Contemporary style family of appliances
- ② Steam Assist combines convection heat with steam to enhance the cooking process
- ③ Self-cleaning pyrolytic function breaks down food residue for an easy clean
- ④ Premium soft-close door with advanced thermal performance
- ⑤ Generous 4.6 cu ft useable capacity
- ⑥ Large 6.8" touchscreen is intuitive and easy to use.
- ⑦ Create perfect results with precise cooking methods, with temperature and heat type recommendations for your food type
- ⑧ Twin vertical fans, perfect for multi-shelf cooking
- ⑨ Includes a wired temperature sensor for real-time monitoring of cooking temperatures
- ⑩ Connected capability via the SmartHQ™ app gives control & visibility from anywhere at anytime



The models shown in this Planning Guide may not be available in all markets and are subject to change at any time. Product specifications may vary from those shown. This Planning Guide should not be used as installation guidance for any product. Further information is required to safely and correctly install the products featured here. Specific installation guidance will be available with the product on delivery and on our website [fisherpaykel.com](http://fisherpaykel.com)



### OVERVIEW

Designed to be distinctive and timeless, this Contemporary Combi-Steam oven matches with our Contemporary style family of appliances. Featuring a larger cavity ideal for cooking larger dishes and multiple trays simultaneously. With versatile cooking options including steam or convection, plus a Steam Clean function for easy maintenance. Precise cooking methods with temperature and heat type recommendations for a wide range of food types are easily accessed via the large touch screen and SmartHQ™.

### PRODUCTS

#### OS30SCUDX3

30" Series 11 Contemporary Combi-Steam Oven

### SERIES & STYLE

Series 11  
Contemporary

### ACCESSORIES

- ① Chrome Side Ladders
- ② Full Extension Sliding Shelf (x2)
- ③ Step Down Wire Shelf
- ④ Roasting Dish
- ⑤ Broil Rack
- ⑥ Smokeless Broil Tray

### FEATURES

- ① Contemporary style is distinctive and timeless. Designed to match with our Contemporary style family of appliances
- ② Versatile cooking options with steam or convection heat for optimal results
- ③ Premium soft open and close door
- ④ Generous 2.5 cu ft useable capacity with six shelf positions
- ⑤ Large 6.8" touchscreen is intuitive and easy to use
- ⑥ Create perfect results with precise cooking methods, with temperature and heat type recommendations for your food type
- ⑦ Moisture control and even heat distribution thanks to ActiveVent™ and AeroTech™ technology
- ⑧ Steam Clean function ensures a spotless oven with minimal effort
- ⑨ Includes a wired temperature sensor for real-time monitoring of cooking temperatures
- ⑩ Connected capability via the SmartHQ™ app gives control & visibility from anywhere at anytime

### ACCESSORIES

- ⑦ Large Perforated Steam Dish
- ⑧ Small Perforated Steam Dish
- ⑨ Large Steam Dish
- ⑩ Wired Temperature Sensor
- ⑪ Descale Solution - 2 sachets (Part 580925)



The models shown in this Planning Guide may not be available in all markets and are subject to change at any time. Product specifications may vary from those shown. This Planning Guide should not be used as installation guidance for any product. Further information is required to safely and correctly install the products featured here. Specific installation guidance will be available with the product on delivery and on our website [fisherpaykel.com](http://fisherpaykel.com)



**OVERVIEW**

Designed to be distinctive and timeless, this Contemporary Combi-Steam oven matches with our Contemporary style family of appliances. With versatile cooking options including steam or convection, plus a Steam Clean function for easy maintenance. Precise cooking methods with temperature and heat type recommendations for a wide range of food types are easily accessed via the large touch screen and SmartHQ™.

**PRODUCTS**

**OS30NCUDX3**  
30" Series 9 Contemporary Compact Combi-Steam Oven

**SERIES & STYLE**

Series 9  
Contemporary

**ACCESSORIES**

- ① Chrome Side Ladders
- ② Full Extension Sliding Shelf
- ③ Flat Wire Shelf
- ④ Roasting Dish
- ⑤ Broil Rack

**FEATURES**

- ① Contemporary style is distinctive and timeless. Designed to match with our Contemporary style family of appliances
- ② Versatile cooking options with steam or convection heat for optimal results
- ③ Premium soft open and close door
- ④ 1.6 cu ft useable capacity with four shelf positions
- ⑤ Large 6.8" touchscreen is intuitive and easy to use
- ⑥ Create perfect results with precise cooking methods, with temperature and heat type recommendations for your food type
- ⑦ Moisture control and even heat distribution thanks to ActiveVent™ and AeroTech™ technology
- ⑧ Steam Clean function ensures a spotless oven with minimal effort
- ⑨ Includes a wired temperature sensor for real-time monitoring of cooking temperatures
- ⑩ Connected capability via the SmartHQ™ app gives control & visibility from anywhere at anytime

**ACCESSORIES**

- ⑥ Large Perforated Steam Dish
- ⑦ Small Perforated Steam Dish
- ⑧ Large Steam Dish
- ⑨ Wired Temperature Sensor
- ⑩ Descale Solution - 2 sachets (Part 580925)



The models shown in this Planning Guide may not be available in all markets and are subject to change at any time. Product specifications may vary from those shown. This Planning Guide should not be used as installation guidance for any product. Further information is required to safely and correctly install the products featured here. Specific installation guidance will be available with the product on delivery and on our website [fisherpaykel.com](http://fisherpaykel.com)



### OVERVIEW

Designed to be distinctive and timeless, this Contemporary Convection-Speed oven matches with our Contemporary style family of appliances. Versatile cooking options including microwave or convection offer efficient heating across a variety of dishes. Precise cooking methods with temperature and heat type recommendations for a wide range of food types are easily accessed via the large touch screen and SmartHQ™.

### PRODUCTS

#### OM30NCUDX3

30" Series 9 Contemporary Compact Convection-Speed Oven

### SERIES & STYLE

Series 9  
Contemporary



### FEATURES

- ① Contemporary style is distinctive and timeless. Designed to match with our Contemporary style family of appliances
- ② Combines fast microwave cooking with even convection heat for versatile, efficient heating across a variety of dishes
- ③ With soft open and close, the CoolTouch door is safe to touch from the outside - protecting hands and surrounding cabinetry
- ④ Generous 1.3 cu ft useable capacity with four shelf positions
- ⑤ Large 6.8" touchscreen is intuitive and easy to use
- ⑥ Create perfect results with precise cooking methods, with temperature and heat type recommendations for your food type
- ⑦ 28 functions, including four microwave-only, 14 traditional oven and four combination settings
- ⑧ Includes a wired temperature sensor for real-time monitoring of cooking temperatures
- ⑨ Connected capability via the SmartHQ™ app gives control & visibility from anywhere at anytime

### ACCESSORIES

- ① Chrome Side Ladders
- ② Flat Wire Shelf
- ③ Step Down Wire Shelf
- ④ Broil Rack
- ⑤ Glass Tray
- ⑥ Wired Temperature Sensor

The models shown in this Planning Guide may not be available in all markets and are subject to change at any time. Product specifications may vary from those shown. This Planning Guide should not be used as installation guidance for any product. Further information is required to safely and correctly install the products featured here. Specific installation guidance will be available with the product on delivery and on our website [fisherpaykel.com](http://fisherpaykel.com)



### OVERVIEW

Designed to be distinctive and timeless, this Contemporary Warming Drawer matches with our Contemporary style family of appliances. Featuring a push-to-open mechanism, intuitive touch controls, and a smooth glass base for easy cleaning. With six tailored programmes and space for 16 place settings, it keeps meals ready to serve.

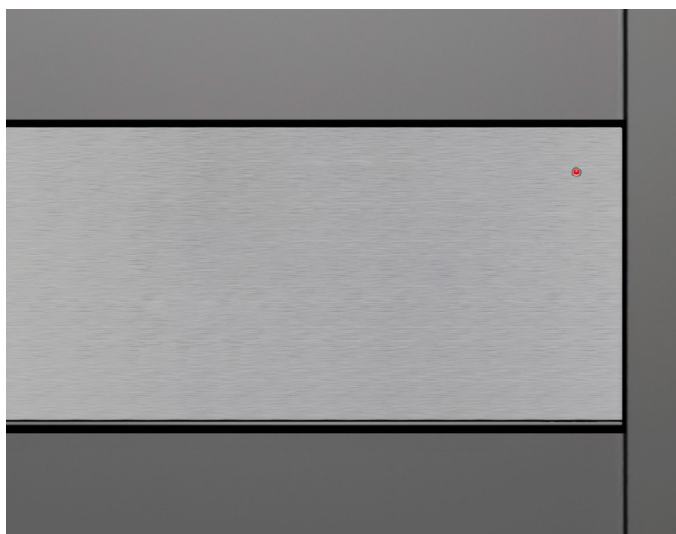
### PRODUCTS

#### WB30SCX3

30" Series 9 Contemporary Warming Drawer

### FEATURES

- ① Contemporary style is distinctive and timeless. Designed to match with our Contemporary style family of appliances
- ② Push-to-open drawer, designed for added convenience
- ③ Simple and intuitive touch controls for effortless operation
- ④ Easy-to-clean glass base
- ⑤ Automatic switch-off and delayed start functionality to help keep dishes warm until it is time to serve
- ⑥ Room for 16 standard-sized place settings
- ⑦ Six tailored programmes including Warming, Proofing, Dehydrating, and Slow Cooking offer convenience and flexibility



### SERIES & STYLE

Series 9  
Contemporary

### ACCESSORIES

- ① Accessory rack for optimising space

The models shown in this Planning Guide may not be available in all markets and are subject to change at any time. Product specifications may vary from those shown. This Planning Guide should not be used as installation guidance for any product. Further information is required to safely and correctly install the products featured here. Specific installation guidance will be available with the product on delivery and on our website [fisherpaykel.com](https://fisherpaykel.com)



**OVERVIEW**

Panel ready design allows for seamless integration and customisation of this Warming Drawer with kitchen cabinetry for a cohesive kitchen look. Featuring a push-to-open mechanism, intuitive touch controls, and a smooth glass base for easy cleaning. With six tailored programmes and space for 16 place settings, it keeps meals ready to serve.

**PRODUCTS**

**WB30SDEI3\***  
30" Series 9 Integrated Warming Drawer

\*Panel ready.

**SERIES & STYLE**

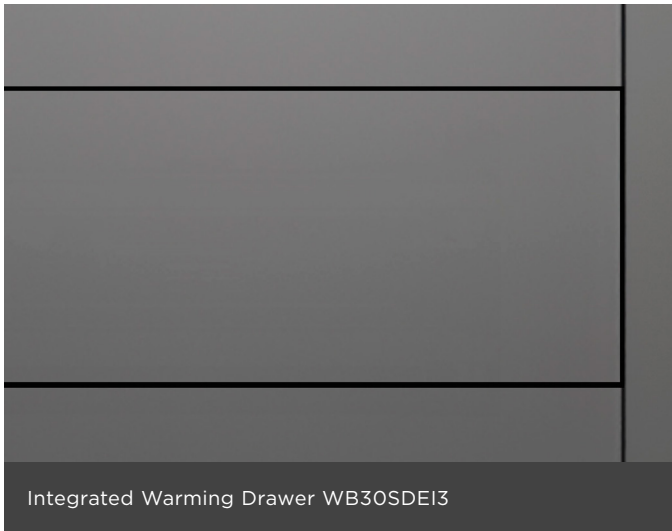
Series 9  
Integrated

**FEATURES**

- ① Panel ready design allows for seamless integration and customisation with kitchen cabinetry for a cohesive kitchen look
- ② Push-to-open drawer, designed for added convenience
- ③ Simple and intuitive touch controls for effortless operation
- ④ Automatic switch-off and delayed start functionality, to help keep dishes warm until it is time to serve
- ⑤ Room for 16 standard-sized place settings
- ⑥ Six tailored programmes including Warming, Proofing, Dehydrating, and Slow Cooking offer convenience and flexibility

**ACCESSORIES**

- ① Accessory rack for optimising space



The models shown in this Planning Guide may not be available in all markets and are subject to change at any time. Product specifications may vary from those shown. This Planning Guide should not be used as installation guidance for any product. Further information is required to safely and correctly install the products featured here. Specific installation guidance will be available with the product on delivery and on our website [fisherpaykel.com](http://fisherpaykel.com)



### OVERVIEW

Designed to be distinctive and timeless, this Contemporary Vacuum Drawer matches with our Contemporary style family of appliances. A push-to-open mechanism and intuitive touch controls offer effortless use, while three vacuum and heat sealing levels support sous vide preparation, marinating, and food storage, using reusable and BPA-free food-grade bags.

### PRODUCTS

**VB30SCX3**  
30" Series 9 Contemporary Vacuum Seal Drawer

### SERIES & STYLE

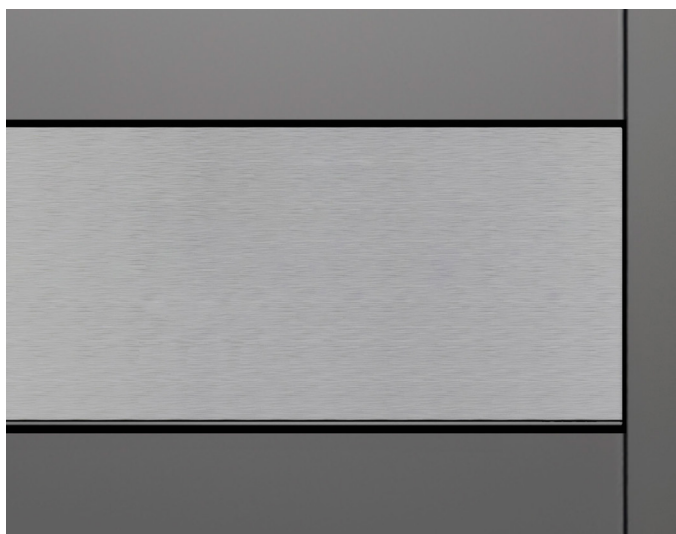
Series 9  
Contemporary

### FEATURES

- ① Contemporary style is distinctive and timeless. Designed to match with our Contemporary style family of appliances
- ② Push-to-open drawer, designed for added convenience
- ③ Simple and intuitive touch controls for effortless operation
- ④ Easy-to-clean glass base
- ⑤ Three levels of vacuum and heat sealing - for easy re-sealing, food portioning, marinating, storage and extending shelf life
- ⑥ Allows effortless preparation for sous vide cooking
- ⑦ Our food-grade, BPA-free bags are an excellent storage option — these can be re-used if sealed and cut appropriately

### ACCESSORIES

- ① Large BPA-free Vacuum Bags - 50 bags (Part 793034)
- ② Small BPA-free Vacuum Bags - 50 bags (Part 793033)
- ③ External Vacuuming Accessory Kit





**OVERVIEW**

Panel ready design allows for seamless integration and customisation of this Vacuum Seal Drawer with kitchen cabinetry for a cohesive kitchen look. A push-to-open mechanism and intuitive touch controls offer effortless use, while three vacuum and heat sealing levels support sous vide preparation, marinating, and food storage, using reusable and BPA-free food-grade bags.

**PRODUCTS**

**VB30SDEI3\***  
30" Series 9 Integrated Vacuum Seal Drawer

\*Panel ready.

**SERIES & STYLE**

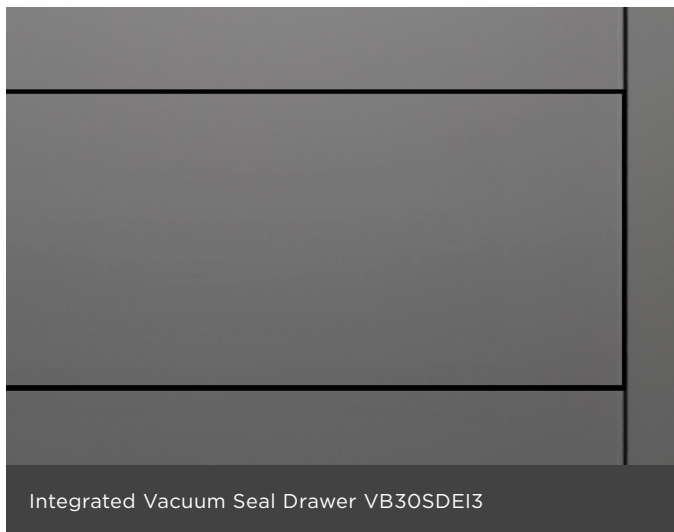
Series 9  
Integrated

**FEATURES**

- ① Panel ready design allows for seamless integration and customisation with kitchen cabinetry for a cohesive kitchen look
- ② Push-to-open drawer, designed for added convenience
- ③ Simple and intuitive touch controls for effortless operation
- ④ Three levels of vacuum and heat sealing - for easy re-sealing, food portioning, marinating, storage and extending shelf life
- ⑤ Allows effortless preparation for sous vide cooking
- ⑥ Our food-grade, BPA-free bags are an excellent storage option — these can be re-used if sealed and cut appropriately

**ACCESSORIES**

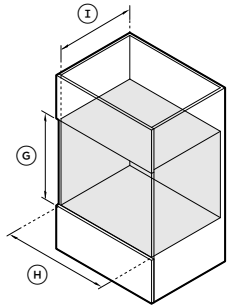
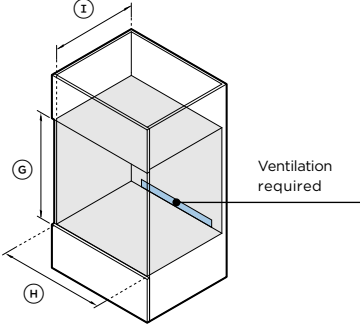
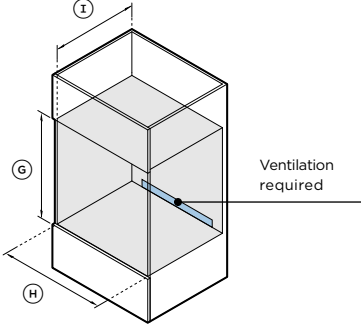
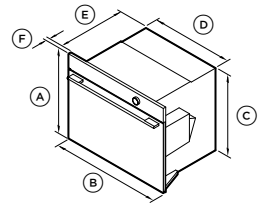
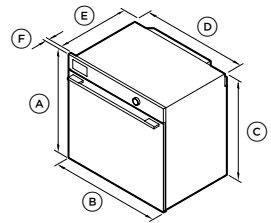
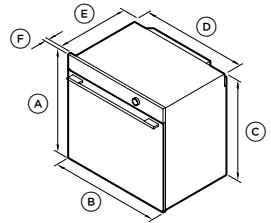
- ① Large BPA-free Vacuum Bags - 50 bags (Part 793034)
- ② Small BPA-free Vacuum Bags - 50 bags (Part 793033)
- ③ External Vacuuming Accessory Kit



The models shown in this Planning Guide may not be available in all markets and are subject to change at any time. Product specifications may vary from those shown. This Planning Guide should not be used as installation guidance for any product. Further information is required to safely and correctly install the products featured here. Specific installation guidance will be available with the product on delivery and on our website [fisherpaykel.com](http://fisherpaykel.com)

**PRODUCT DIMENSIONS**

**CAVITY DIMENSIONS**



PRODUCT DIMENSIONS	
(A) Overall height	28 11/16
(B) Overall width	29 7/8
(C) Chassis height	27 7/8
(D) Chassis width	28 3/8
(E) Chassis depth	22 5/8
(F) Control panel thickness	13/16
Depth with door fully open*	23 3/8

SELF-CLEANING OVEN OB30SCPUDX3		
	inch	mm
(A) Overall height	28 11/16	729
(B) Overall width	29 7/8	758
(C) Chassis height	27 7/8	708
(D) Chassis width	28 3/8	720
(E) Chassis depth	22 5/8	575
(F) Control panel thickness	13/16	20
Depth with door fully open*	23 3/8	594

SELF-CLEANING STEAM ASSIST OVEN OB30SCPSUDX3		
	inch	mm
(A) Overall height	28 11/16	729
(B) Overall width	29 7/8	758
(C) Chassis height	27 7/8	708
(D) Chassis width	28 3/8	720
(E) Chassis depth	22 5/8	575
(F) Control panel thickness	13/16	20
Depth with door fully open*	23 3/8	594

COMBI-STEAM OVEN OS30SCUDX3		
	inch	mm
(A) Overall height	23 9/16	598
(B) Overall width	29 7/8	758
(C) Chassis height	22 5/8	575
(D) Chassis width	28 3/8	720
(E) Chassis depth	22 7/16	545
(F) Control panel thickness	13/16	20
Depth with door fully open*	18 1/8	460

\*Measured from front of control panel.

CAVITY DIMENSIONS	
(G) Minimum inside height of cavity	28 1/32
(H) Minimum inside width of cavity	28 1/2
(I) Minimum inside depth of cavity*	23 1/2**
Recommended cabinet height	28 3/4
Recommended cabinet width	30

	inch	mm
(G) Minimum inside height of cavity	28 1/32	712
(H) Minimum inside width of cavity	28 1/2	724
(I) Minimum inside depth of cavity*	23 1/2**	597**
Recommended cabinet height	28 3/4	731
Recommended cabinet width	30	762

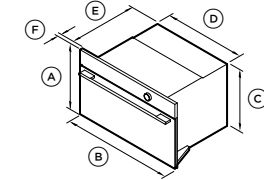
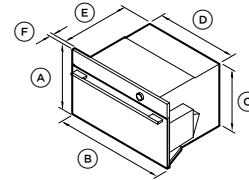
	inch	mm
(G) Minimum inside height of cavity	28 1/32	712
(H) Minimum inside width of cavity	28 1/2	724
(I) Minimum inside depth of cavity*	23 1/2**	597**
Recommended cabinet height	28 3/4	731
Recommended cabinet width	30	762

	inch	mm
(G) Minimum inside height of cavity	22 13/16	580
(H) Minimum inside width of cavity	28 1/2	724
(I) Minimum inside depth of cavity*	21 5/8	550
Recommended cabinet height	24	600
Recommended cabinet width	30	762

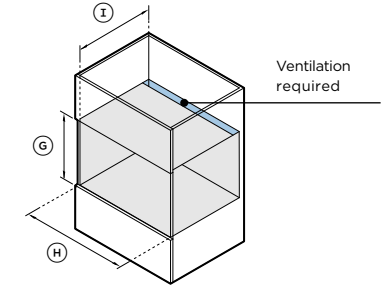
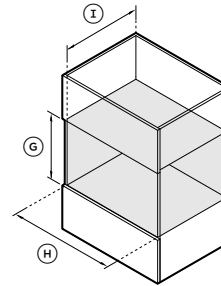
\*Measured from front of chassis.\*\*Requires ventilation at the rear of the cavity.

The models shown in this Planning Guide may not be available in all markets and are subject to change at any time. Product specifications may vary from those shown. This Planning Guide should not be used as installation guidance for any product. Further information is required to safely and correctly install the products featured here. Specific installation guidance will be available with the product on delivery and on our website fisherpaykel.com

**PRODUCT DIMENSIONS**



**CAVITY DIMENSIONS**



**PRODUCT DIMENSIONS**

(A) Overall height	
(B) Overall width	
(C) Chassis height	
(D) Chassis width	
(E) Chassis depth	
(F) Control panel thickness	
Depth with door fully open*	

\*Measured from front of control panel.

**CAVITY DIMENSIONS**

(G) Minimum inside height of cavity	
(H) Minimum inside width of cavity	
(I) Minimum inside depth of cavity*	
Recommended cabinet height	
Recommended cabinet width	

\*Measured from front of chassis. \*\*Requires ventilation at the rear of the cavity.

**COMPACT COMBI-STEAM OVEN**  
OS30NCUDX3

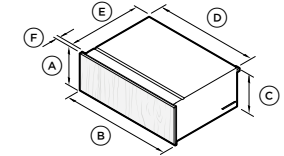
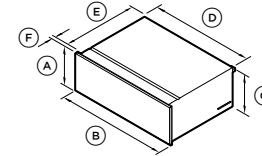
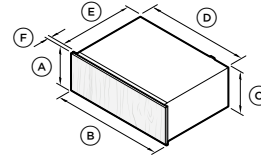
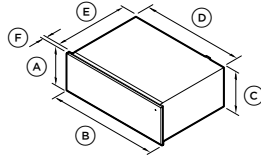
	inch	mm
(A) Overall height	18	458
(B) Overall width	29 7/8	758
(C) Chassis height	17 1/8	435
(D) Chassis width	28 3/8	720
(E) Chassis depth	21 7/16	545
(F) Control panel thickness	13/16	20
Depth with door fully open*	12 5/8	320

**COMPACT CONVECTION-SPEED OVEN**  
OM30NCUDX3

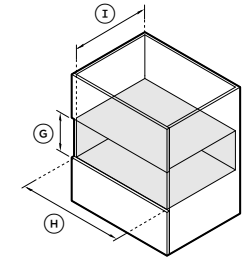
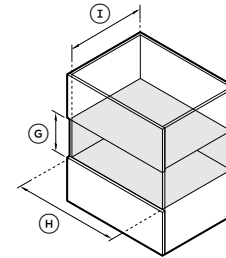
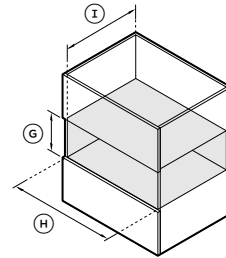
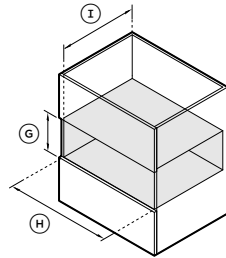
	inch	mm
(A) Overall height	18	458
(B) Overall width	29 7/8	758
(C) Chassis height	17 1/8	435
(D) Chassis width	28 3/8	720
(E) Chassis depth	21 7/16	545
(F) Control panel thickness	13/16	20
Depth with door fully open*	12 5/8	320

The models shown in this Planning Guide may not be available in all markets and are subject to change at any time. Product specifications may vary from those shown. This Planning Guide should not be used as installation guidance for any product. Further information is required to safely and correctly install the products featured here. Specific installation guidance will be available with the product on delivery and on our website [fisherpaykel.com](http://fisherpaykel.com)

PRODUCT DIMENSIONS



CAVITY DIMENSIONS



WARMING DRAWER  
WB30SCX3

PRODUCT DIMENSIONS

	inch	mm
(A) Overall height	10 11/16	271
(B) Overall width	29 7/8	758
(C) Chassis height	10 11/16	271
(D) Chassis width	27 3/4	704
(E) Chassis depth*	21 9/16	547
(F) Front panel thickness	13/16	20
Front panel height	10 1/2	267
Front panel width	29 7/8	758

INTEGRATED WARMING DRAWER  
WB30SDEI3

	inch	mm
(A) Overall height	10 11/16	271
(B) Overall width	29 7/8	758
(C) Chassis height	10 11/16	271
(D) Chassis width	28 15/32	723
(E) Chassis depth*	22 9/32	566
(F) Front panel thickness	min 5/8***	min 16***
Front panel height	min 10 1/2	min 267
Front panel width	min 29 7/8	min 758

VACUUM SEAL DRAWER  
VB30SCX3

	inch	mm
(A) Overall height	10 11/16	271
(B) Overall width	29 7/8	758
(C) Chassis height	10 11/16	271
(D) Chassis width	28 1/2**	724**
(E) Chassis depth*	21 11/16	551
(F) Front panel thickness	13/16	20
Front panel height	10 1/2	267
Front panel width	29 7/8	758

INTEGRATED VACUUM SEAL DRAWER  
VB30SDEI3

	inch	mm
(A) Overall height	10 11/16	271
(B) Overall width	29 7/8	758
(C) Chassis height	10 11/16	271
(D) Chassis width	28 15/32**	723**
(E) Chassis depth*	22 1/2	572
(F) Front panel thickness	min 5/8***	min 16***
Front panel height	min 10 1/2	min 267
Front panel width	min 29 7/8	min 758

\*Including power plug. \*\*Including side brackets. \*\*\*A clearance of 1/16" (2mm) between the cabinet and the custom panel is required for the push-to-open mechanism (spacer included). Maximum custom panel weight 11 lb (5kg).

CAVITY DIMENSIONS

	inch	mm
(G) Minimum inside height of cavity	10 3/4	273
(H) Minimum inside width of cavity	28 1/2	724
(I) Minimum inside depth of cavity*	22 13/16	580
Recommended cabinet height	10 3/4	273
Recommended cabinet width	30	762

	inch	mm
(G) Minimum inside height of cavity	10 3/4	273
(H) Minimum inside width of cavity	28 1/2	724
(I) Minimum inside depth of cavity*	22 13/16	580
Recommended cabinet height	10 3/4	273
Recommended cabinet width	30	762

	inch	mm
(G) Minimum inside height of cavity	10 3/4	273
(H) Minimum inside width of cavity	28 1/2	724
(I) Minimum inside depth of cavity*	22 13/16	580
Recommended cabinet height	10 3/4	273
Recommended cabinet width	30	762

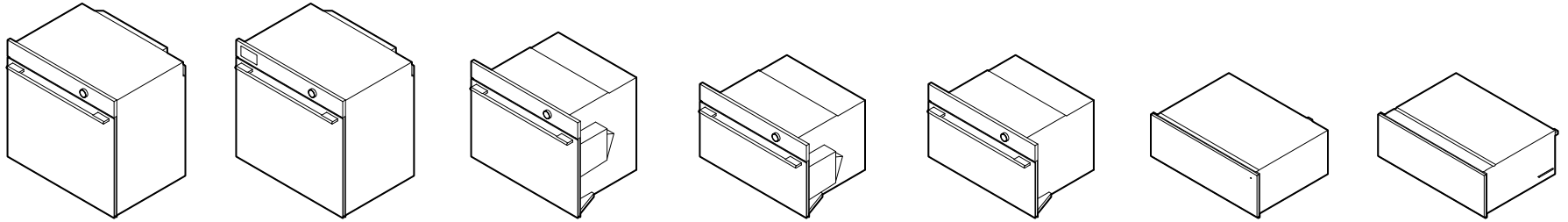
	inch	mm
(G) Minimum inside height of cavity	10 3/4	273
(H) Minimum inside width of cavity	28 1/2	724
(I) Minimum inside depth of cavity*	22 13/16	580
Recommended cabinet height	10 3/4	273
Recommended cabinet width	30	762

\*Measured from front of chassis.

Note: Drawers can fully support 30inch Fisher & Paykel ovens, without adding shelf in between.

The models shown in this Planning Guide may not be available in all markets and are subject to change at any time. Product specifications may vary from those shown. This Planning Guide should not be used as installation guidance for any product. Further information is required to safely and correctly install the products featured here. Specific installation guidance will be available with the product on delivery and on our website fisherpaykel.com

ISOMETRIC VIEW

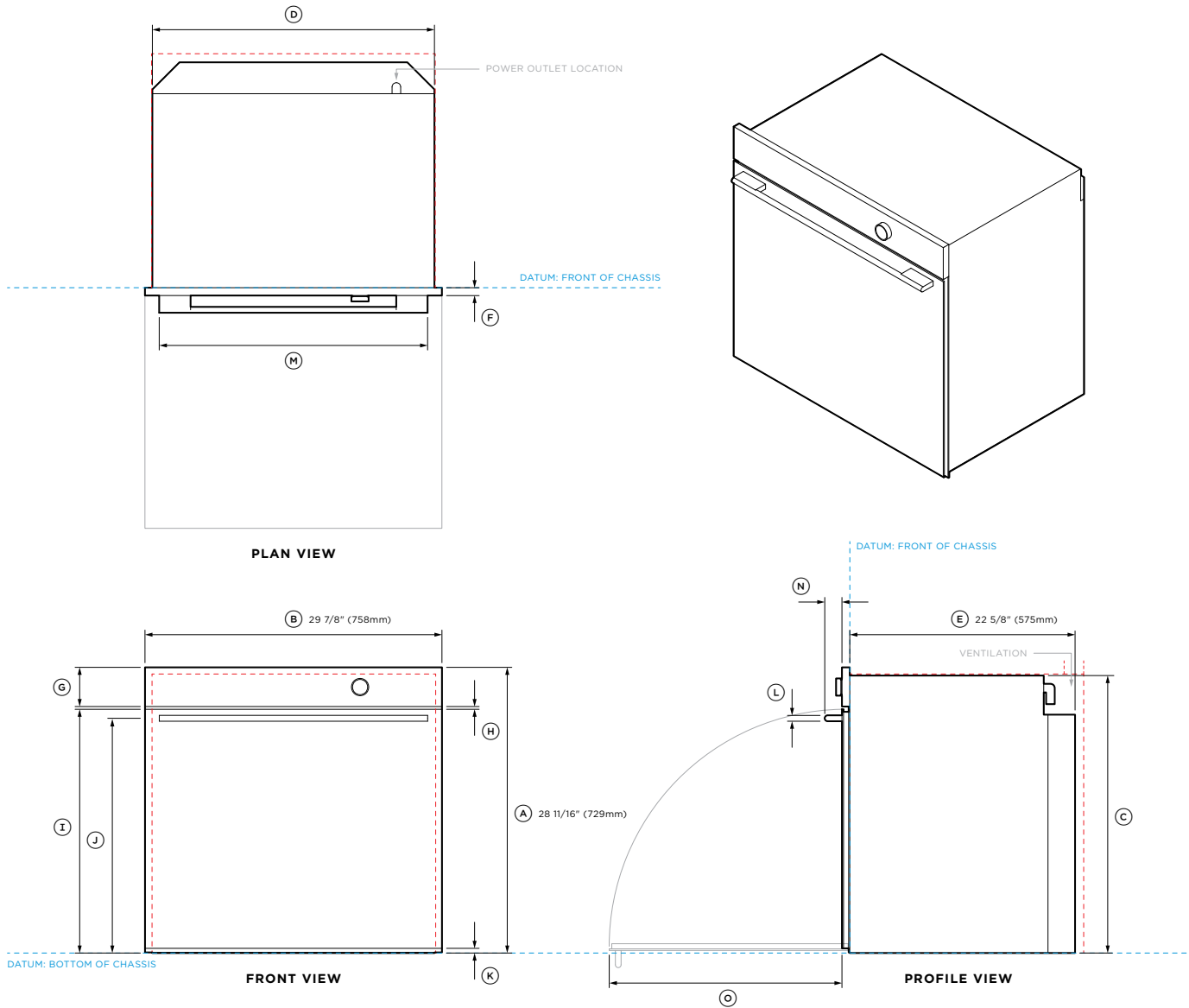


	<b>SELF-CLEANING OVEN</b> OB30SCPUDX3	<b>SELF-CLEANING STEAM ASSIST OVEN</b> OB30SCPSUDX3	<b>COMBI-STEAM OVEN</b> OS30SCUDX3	<b>COMPACT COMBI-STEAM OVEN</b> OS30NCUDX3	<b>COMPACT CONVECTION-SPEED OVEN</b> OM30NCUDX3	<b>WARMING DRAWER</b> WB30SCX3, WB30SDEI3	<b>VACUUM SEAL DRAWER</b> VB30SCX3, VB30SDEI3
<b>PRODUCT REQUIREMENTS</b>							
Supply	208 or 240 V, 60 Hz	208 or 240 V, 60 Hz	208 or 240 V, 60 Hz	208 or 240 V, 60 Hz	208 or 240 V, 60 Hz	120 V, 60 Hz	120 V, 60 Hz
Service	20 A	20 A	20 A	20 A	20 A	15 A	15 A
Connection	Hard wired 78 3/4"(2000mm)	Hard wired 78 3/4"(2000mm)	Hard wired 78 3/4"(2000mm)	Hard wired 78 3/4"(2000mm)	Hard wired 78 3/4"(2000mm)	Plug with flex cord 70 7/8" (1800mm)	Plug with flex cord 70 7/8" (1800mm)
<b>WEIGHT</b>							
Packaged	209lb (95kg)	214lb (97kg)	152lb (69kg)	121lb (55kg)	110lb (50kg)	66lb(30kg) Integrated 57lb (26kg)	148lb(67kg) Integrated 106lb (48kg)
Unpackaged	176lb (80kg)	181lb (82kg)	119lb (54kg)	101lb (46kg)	90lb (41kg)	55lb(25kg) Integrated 51lb (23kg)	121lb(55kg) Integrated 99lb (45kg)
<b>CAPACITY</b>							
Total Oven capacity	4.9cu ft (137L)	4.9cu ft (137L)	3cu ft (85L)	1.9cu ft (55L)	1.7cu ft (49L)	-	-
Total water tank capacity	-	22.65fl oz (0.67L)	47.3fl oz (1.4L)	47.3fl oz (1.4L)	-	-	-

Note: Steam Ovens have internal water tanks which need to be filled manually. No external water supply is required.

The models shown in this Planning Guide may not be available in all markets and are subject to change at any time. Product specifications may vary from those shown. This Planning Guide should not be used as installation guidance for any product. Further information is required to safely and correctly install the products featured here. Specific installation guidance will be available with the product on delivery and on our website fisherpaykel.com

## DATA SHEETS



**Model no:**

OB30SCPUDX3 30" Series 9 Contemporary Self-Cleaning Oven

<b>Product Dimensions</b>		<b>inch</b>	<b>mm</b>
(A)	Overall height of product	28 11/16	729
(B)	Overall width of product	29 7/8	758
(C)	Height of chassis	27 7/8	708
(D)	Width of chassis	28 3/8	720
(E)	Depth of chassis	22 5/8	575
(F)	Thickness of control panel (excludes handle and dial)	13/16	20
(G)	Height of control panel	3 15/16	100
(H)	Gap between door and control panel	9/32	7
(I)	Height from bottom datum to top of door	24 1/2	622
(J)	Height from bottom datum to centerline of handle	23 19/32	599
(K)	Visual gap height	15/32	12
(L)	Thickness of handle	19/32	15
(M)	Width of handle	26 31/32	685
(N)	Depth of handle	1 3/4	44
(O)	Depth with door fully open*	23 3/8	594

\*Measured from front of control panel.

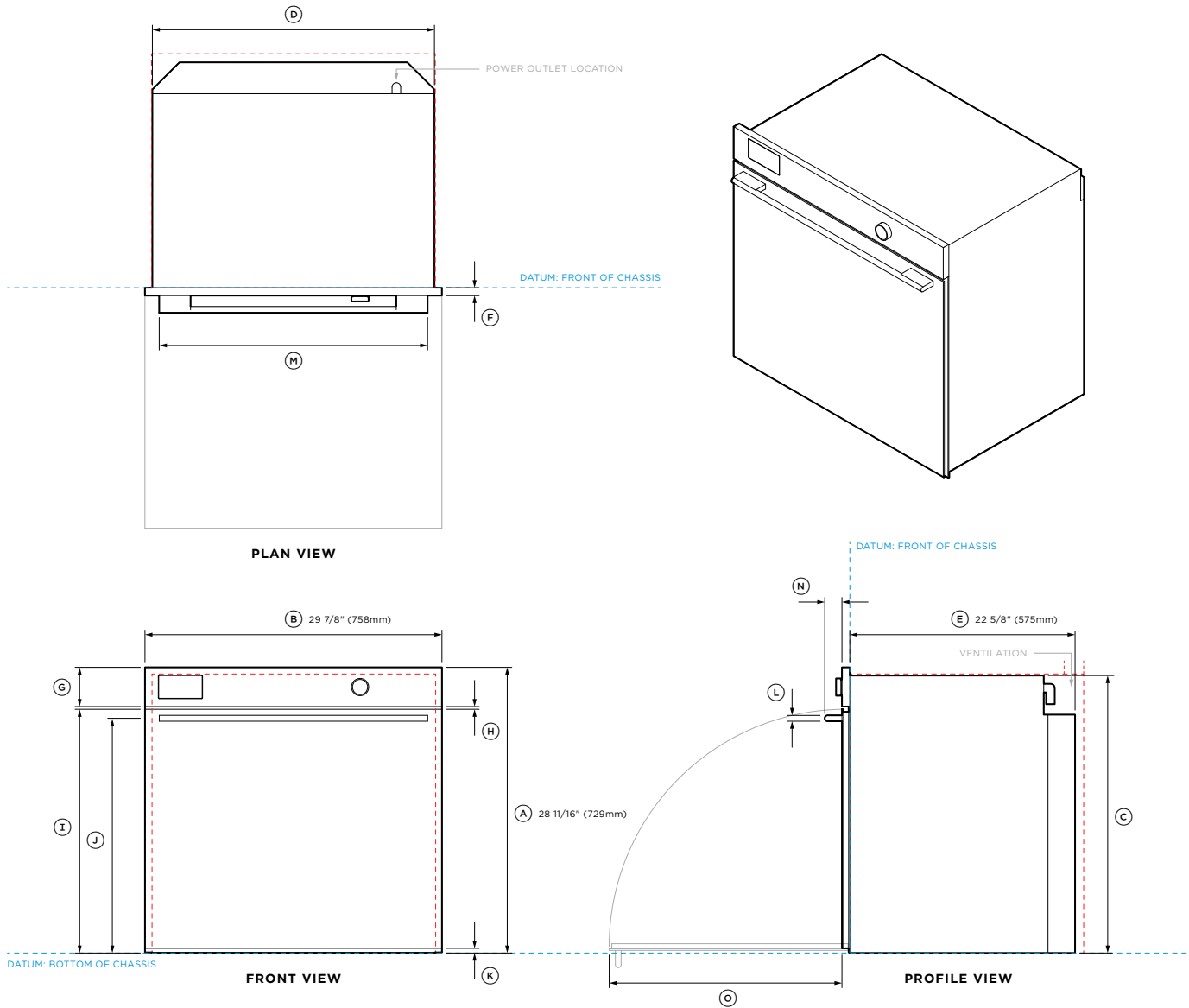
<b>Minimum Clearances</b>		<b>inch</b>	<b>mm</b>
	Minimum inside height of cavity	28 1/32	712
	Minimum inside width of cavity	28 1/2	724
	Minimum inside depth of cavity*	23 1/2	597
	Rear ventilation height**	2 5/32	55
	Rear ventilation width**	24	600
	Minimum clearance above products control panel to upper cabinetry front panel or appliance	1/16	2
	Minimum clearance between adjacent front panel or appliance	1/16	2
	Recommended cabinet height	28 3/4	731
	Recommended cabinet width	30	762

\*Measured from front of chassis.

\*\*A minimum ventilation area of 51in<sup>2</sup> (330cm<sup>2</sup>) is required. The air vent must be located at the rear of the cabinet and positioned within 3 5/32" (80mm) from the bottom of the chassis datum, or the cabinet back must be open.

----- INDICATES PRODUCT DATUM  
 - - - - - INDICATES CABINETRY CLEARANCES

IMPORTANT NOTE: Throughout this guide, dimensions may vary by ±2mm (1/16"). Please read the installation manual for detailed information on installing the product. For full installation instructions & specifications visit fisherpaykel.com



**Model no:**

OB30SCPSUDX3 30" Series 11 Contemporary Self-Cleaning Steam Assist Oven

<b>Product Dimensions</b>		<b>inch</b>	<b>mm</b>
(A)	Overall height of product	28 11/16	729
(B)	Overall width of product	29 7/8	758
(C)	Height of chassis	27 7/8	708
(D)	Width of chassis	28 3/8	720
(E)	Depth of chassis	22 5/8	575
(F)	Thickness of control panel (excludes handle and dial)	13/16	20
(G)	Height of control panel	3 15/16	100
(H)	Gap between door and control panel	9/32	7
(I)	Height from bottom datum to top of door	24 1/2	622
(J)	Height from bottom datum to centerline of handle	23 19/32	599
(K)	Visual gap height	15/32	12
(L)	Thickness of handle	19/32	15
(M)	Width of handle	26 31/32	685
(N)	Depth of handle	1 3/4	44
(O)	Depth with door fully open*	23 3/8	594

\*Measured from front of control panel.

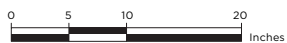
<b>Minimum Clearances</b>		<b>inch</b>	<b>mm</b>
	Minimum inside height of cavity	28 1/32	712
	Minimum inside width of cavity	28 1/2	724
	Minimum inside depth of cavity*	23 1/2	597
	Rear ventilation height**	2 5/32	55
	Rear ventilation width**	24	600
	Minimum clearance above products control panel to upper cabinetry front panel or appliance	1/16	2
	Minimum clearance between adjacent front panel or appliance	1/16	2
	Recommended cabinet height	28 3/4	731
	Recommended cabinet width	30	762

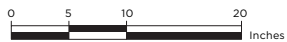
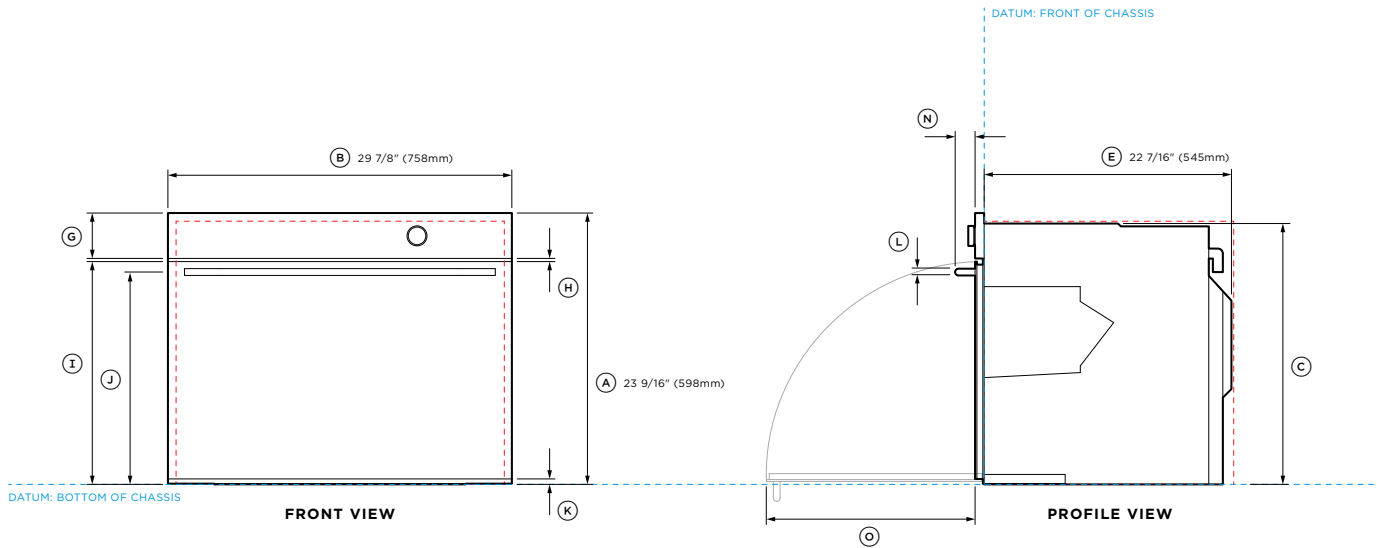
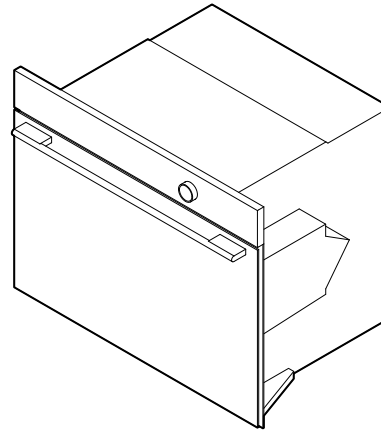
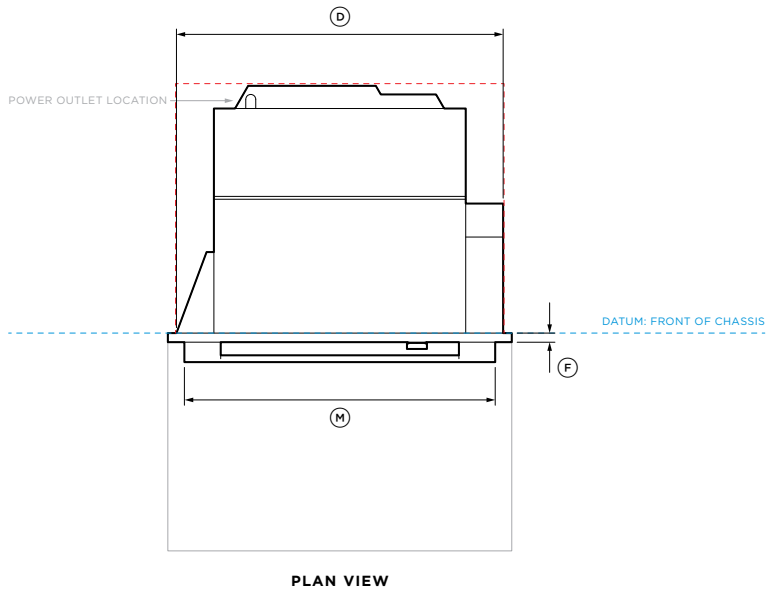
\*Measured from front of chassis.

\*\*A minimum ventilation area of 51in<sup>2</sup> (330cm<sup>2</sup>) is required. The air vent must be located at the rear of the cabinet and positioned within 3 5/32" (80mm) from the bottom of the chassis datum, or the cabinet back must be open.

----- INDICATES PRODUCT DATUM  
 ----- INDICATES CABINETRY CLEARANCES

IMPORTANT NOTE: Throughout this guide, dimensions may vary by ±2mm (1/16"). Please read the installation manual for detailed information on installing the product. For full installation instructions & specifications visit fisherpaykel.com





**Model no:**

OS30SCUDX3 30" Series 11 Contemporary Combi-Steam Oven

Product Dimensions	inch	mm
(A) Overall height of product	23 9/16	598
(B) Overall width of product	29 7/8	758
(C) Height of chassis	22 5/8	575
(D) Width of chassis	28 3/8	720
(E) Depth of chassis	22 7/16	545
(F) Thickness of control panel (excludes handle and dial)	18 1/8	20
(G) Height of control panel	3 15/16	100
(H) Gap between door and control panel	9/32	7
(I) Height from bottom datum to top of door	19 5/16	491
(J) Height from bottom datum to centerline of handle	18 7/16	468
(K) Visual gap height	15/32	12
(L) Thickness of handle	19/32	15
(M) Width of handle	26 31/32	685
(N) Depth of handle	1 3/4	44
(O) Depth with door fully open*	18 1/8	460

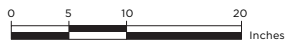
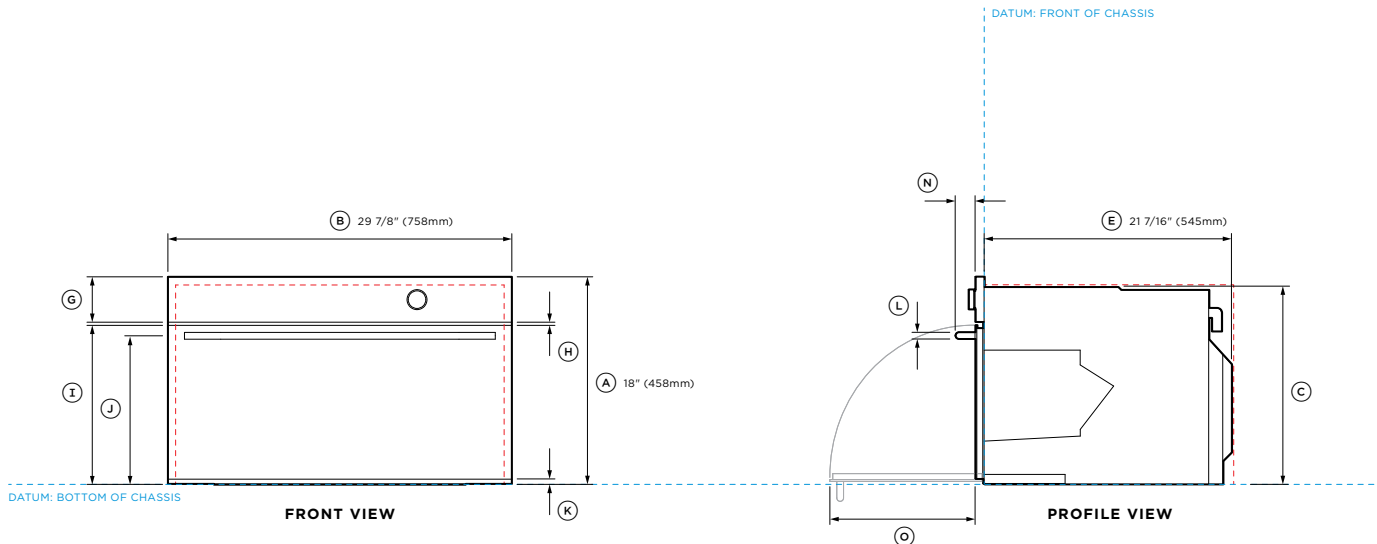
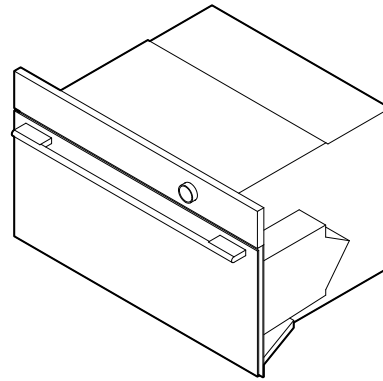
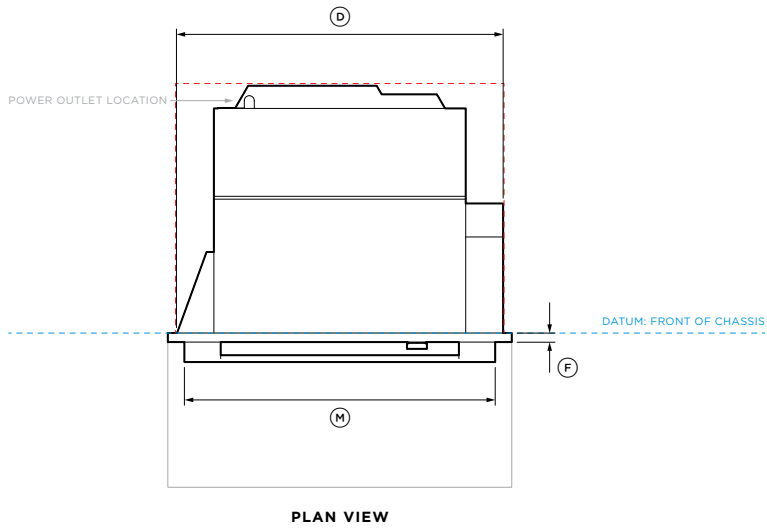
\*Measured from front of control panel.

Minimum Clearances	inch	mm
Minimum inside height of cavity	22 13/16	580
Minimum inside width of cavity	28 1/2	724
Minimum inside depth of cavity*	21 5/8	550
Minimum clearance above products control panel to upper cabinetry front panel or appliance	1/16	2
Minimum clearance between adjacent front panel or appliance	1/16	2
Recommended cabinet height	24	600
Recommended cabinet width	30	762

\*Measured from front of chassis.

----- INDICATES PRODUCT DATUM  
 - - - - - INDICATES CABINETRY CLEARANCES

IMPORTANT NOTE: Throughout this guide, dimensions may vary by ±2mm (1/16"). Please read the installation manual for detailed information on installing the product. For full installation instructions & specifications visit [fisherpaykel.com](http://fisherpaykel.com)



**Model no:**

OS30NCUDX3 30" Series 9 Contemporary Compact Combi-Steam Oven

Product Dimensions	inch	mm
Ⓐ Overall height of product	18	458
Ⓑ Overall width of product	29 7/8	758
Ⓒ Height of chassis	17 1/8	435
Ⓓ Width of chassis	28 3/8	720
Ⓔ Depth of chassis	21 7/16	545
Ⓕ Thickness of control panel (excludes handle and dial)	13/16	20
Ⓖ Height of control panel	3 15/16	100
Ⓗ Gap between door and control panel	9/32	7
Ⓘ Height from bottom datum to top of door	13 13/16	351
Ⓝ Height from bottom datum to centerline of handle	12 29/32	328
Ⓚ Visual gap height	15/32	12
Ⓛ Thickness of handle	19/32	15
Ⓜ Width of handle	26 31/32	685
Ⓝ Depth of handle	1 3/4	44
Ⓞ Depth with door fully open*	12 5/8	320

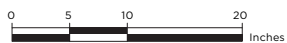
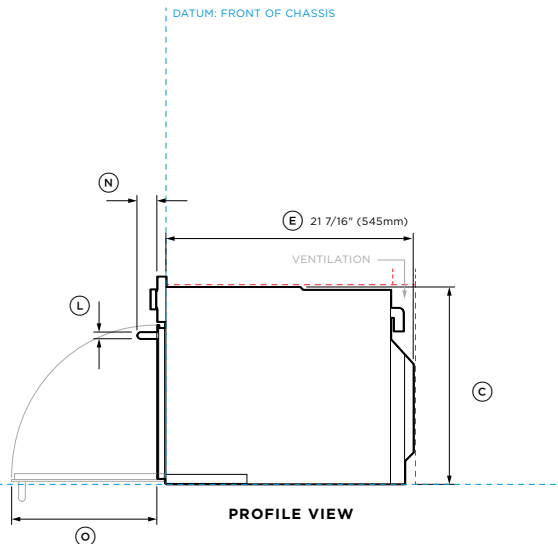
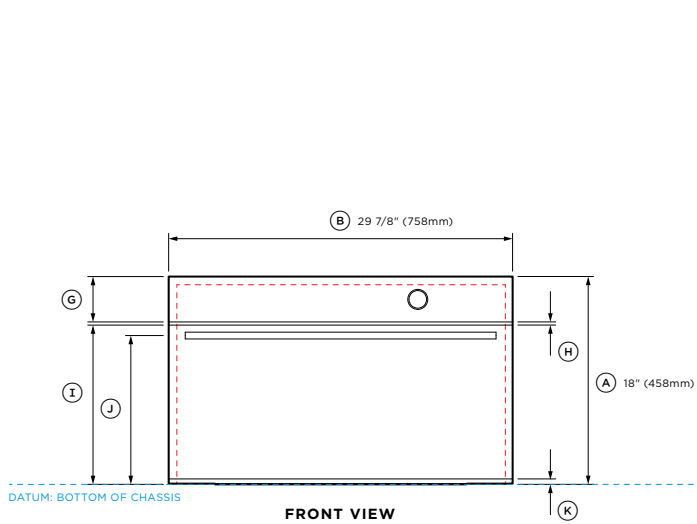
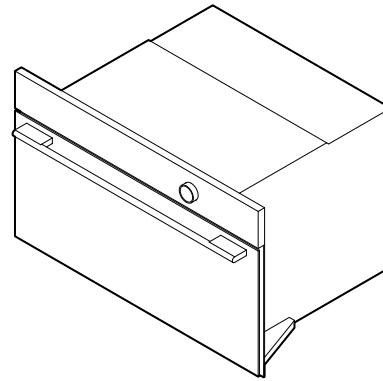
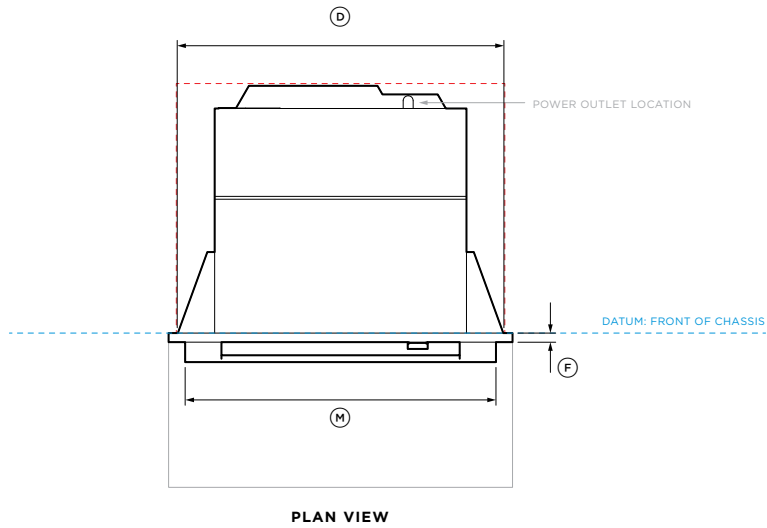
\*Measured from front of control panel.

Minimum Clearances	inch	mm
Minimum inside height of cavity	17 5/16	440
Minimum inside width of cavity	28 1/2	724
Minimum inside depth of cavity*	21 5/8	550
Minimum clearance above products control panel to upper cabinetry front panel or appliance	1/16	2
Minimum clearance between adjacent front panel or appliance	1/16	2
Recommended cabinet height	18 1/8	460
Recommended cabinet width	30	762

\*Measured from front of chassis.

----- INDICATES PRODUCT DATUM  
 ----- INDICATES CABINETRY CLEARANCES

IMPORTANT NOTE: Throughout this guide, dimensions may vary by ±2mm (1/16"). Please read the installation manual for detailed information on installing the product. For full installation instructions & specifications visit [fisherpaykel.com](http://fisherpaykel.com)



**Model no:**

OM30NCUDX3 30" Series 9 Contemporary Compact Convection-Speed Oven

Product Dimensions	inch	mm
(A) Overall height of product	18	458
(B) Overall width of product	29 7/8	758
(C) Height of chassis	17 1/8	435
(D) Width of chassis	28 3/8	720
(E) Depth of chassis	21 7/16	545
(F) Thickness of control panel (excludes handle and dial)	13/16	20
(G) Height of control panel	3 15/16	100
(H) Gap between door and control panel	9/32	7
(I) Height from bottom datum to top of door	13 13/16	351
(J) Height from bottom datum to centerline of handle	12 29/32	328
(K) Visual gap height	15/32	12
(L) Thickness of handle	19/32	15
(M) Width of handle	26 31/32	685
(N) Depth of handle	1 3/4	44
(O) Depth with door fully open*	12 5/8	320

\*Measured from front of control panel.

Minimum Clearances	inch	mm
Minimum inside height of cavity	17 5/16	440
Minimum inside width of cavity	28 1/2	724
Minimum inside depth of cavity*	21 5/8	550
Rear ventilation height**	2	50
Rear ventilation width**	22 1/16	560
Minimum clearance above products control panel to upper cabinetry front panel or appliance	1/16	2
Minimum clearance between adjacent front panel or appliance	1/16	2
Recommended cabinet height	18 1/8	460
Recommended cabinet width	30	762

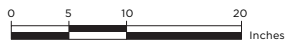
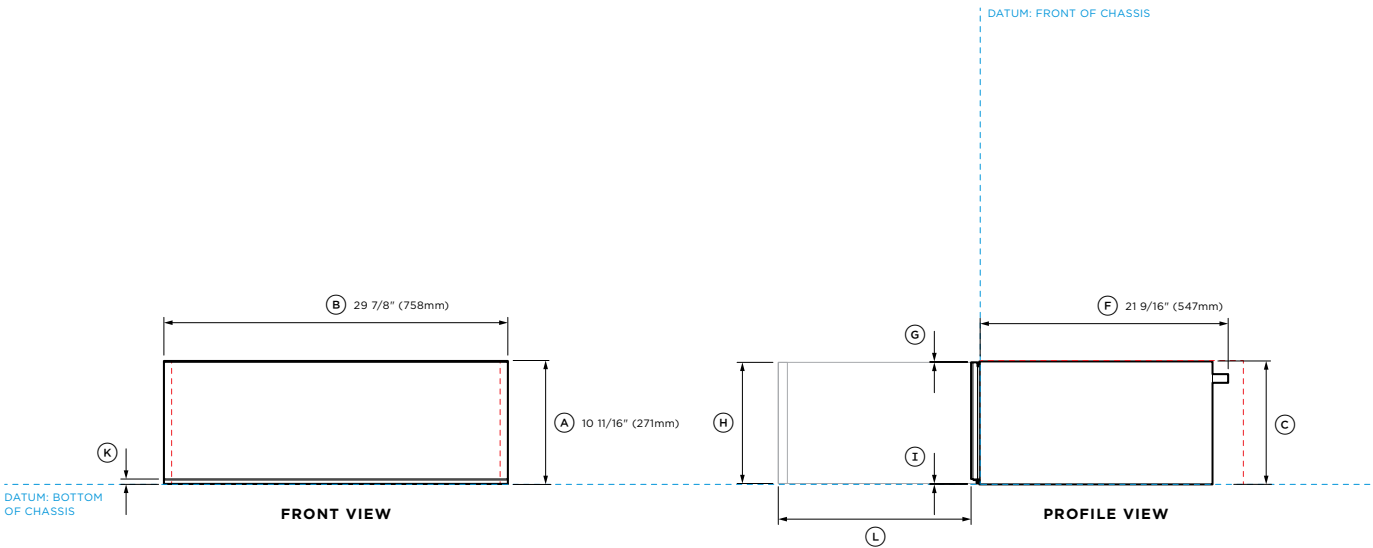
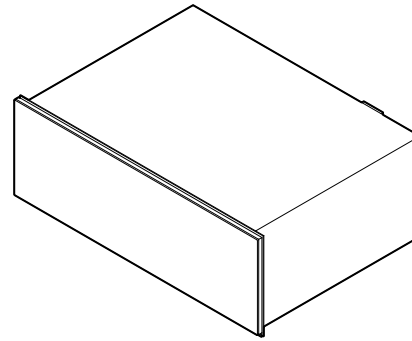
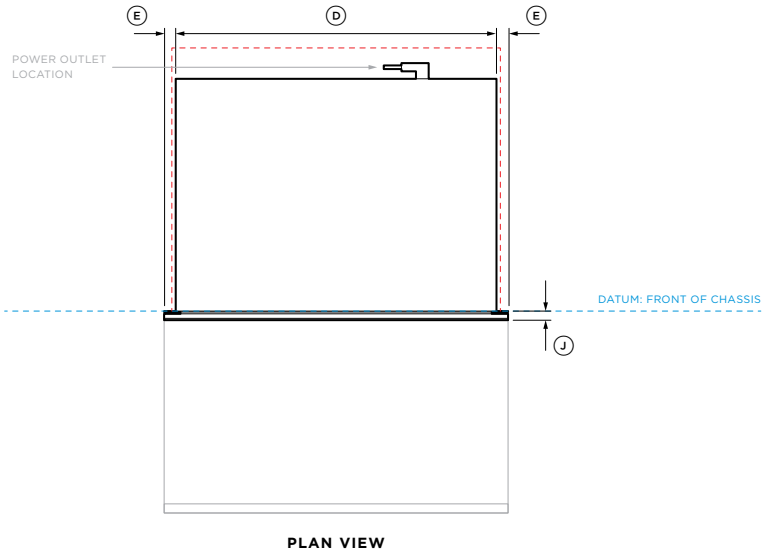
\*Measured from front of chassis.

\*\*A minimum ventilation area of 43.4in<sup>2</sup> (280cm<sup>2</sup>) is required. The air vent must be located at the rear of cabinet, it can be positioned at the base, sides, back or top of the cavity.

----- INDICATES PRODUCT DATUM

----- INDICATES CABINERY CLEARANCES

IMPORTANT NOTE: Throughout this guide, dimensions may vary by ±2mm (1/16"). Please read the installation manual for detailed information on installing the product. For full installation instructions & specifications visit [fisherpaykel.com](http://fisherpaykel.com)



**Model no:**

WB30SCX3      30" Series 9 Contemporary Warming Drawer

Product Dimensions	inch	mm
(A) Overall height of product	10 11/16	271
(B) Overall width of product	29 7/8	758
(C) Height of chassis	10 11/16	271
(D) Width of chassis	27 3/4	704
(E) Distance from side of chassis to front panel	1	25.5
(F) Depth of chassis (including power plug)	21 9/16	547
(G) Height from top of front panel to top of chassis	1/16	2
(H) Height of front panel	10 1/2	267
(I) Height from bottom datum to bottom of front panel	1/16	2
(J) Thickness of front panel	13/16	20
(K) Visual gap height	15/32	12
(L) Depth of drawer open*	16 3/4	425

\*Measured from front of front panel.

Minimum Clearances	inch	mm
Minimum inside height of cavity	10 3/4	273
Minimum inside width of cavity	28 1/2	724
Minimum inside depth of cavity*	22 13/16	580
Minimum clearance above products front panel to upper cabinetry front panel or appliance**	5/32	4
Minimum clearance between adjacent front panel or appliance	1/16	2
Recommended cabinet height	10 3/4	273
Recommended cabinet width	30	762

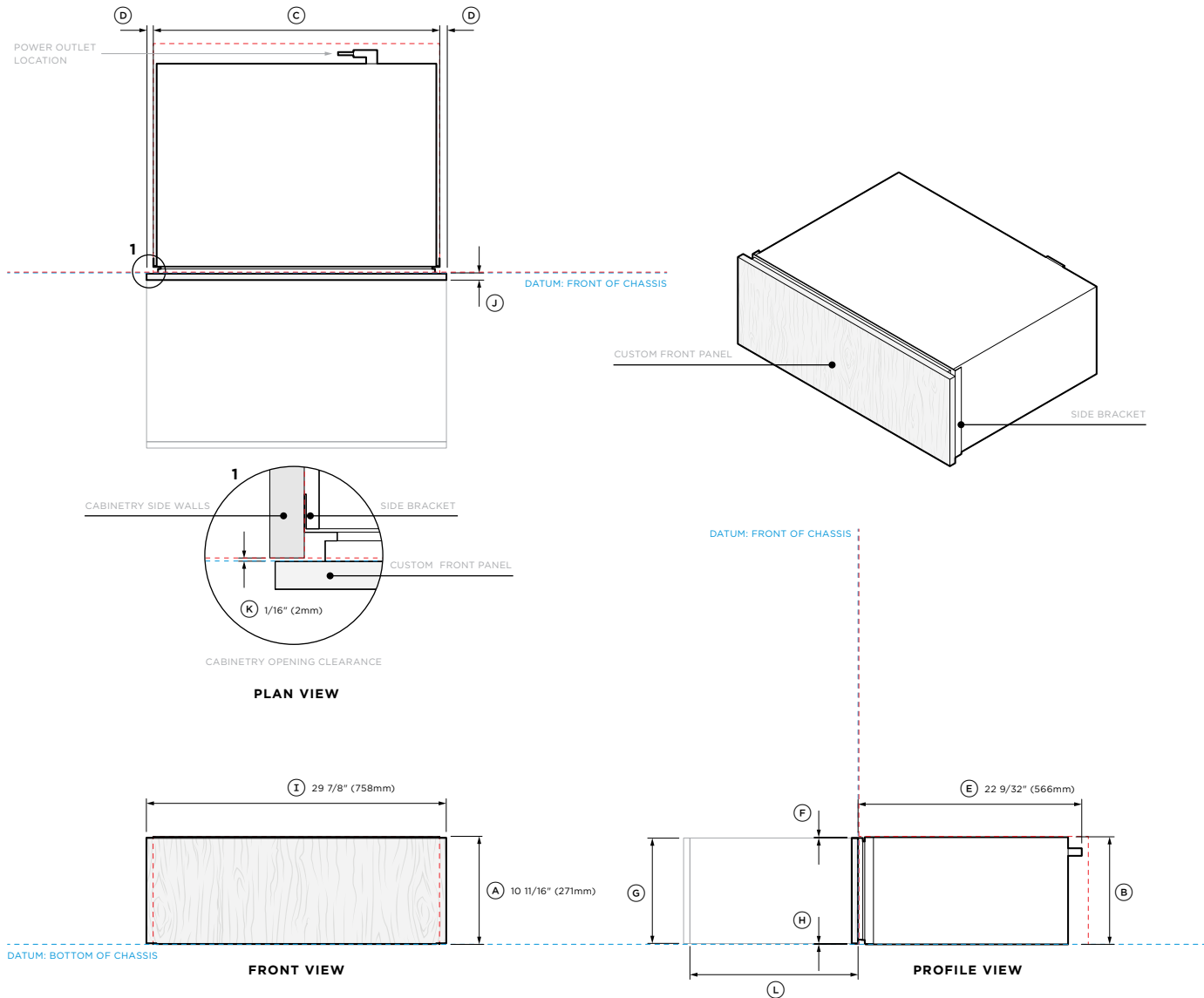
\*Measured from front of chassis.

\*\*Achieve a smaller gap between product front panel to upper cabinetry front panel by dropping cabinetry front panel down.

Note: Drawers can fully support 30inch Fisher & Paykel ovens, without adding shelf in between.

----- INDICATES PRODUCT DATUM  
 - - - - - INDICATES CABINETRY CLEARANCES

IMPORTANT NOTE: Throughout this guide, dimensions may vary by ±2mm (1/16"). Please read the installation manual for detailed information on installing the product. For full installation instructions & specifications visit [fisherpaykel.com](http://fisherpaykel.com)



**Model no:**

WB30SDEI3 30" Series 9 Integrated Warming Drawer

Product Dimensions	inch	mm
(A) Overall height of product	10 11/16	271
(B) Height of chassis	10 11/16	271
(C) Width of chassis (including side bracket)	28 15/32	723
(D) Distance from side bracket to custom front panel	11/16	17
(E) Depth of chassis (including power plug)	22 9/32	566
(F) Height from top of custom front panel to top of chassis	1/16	2
(G) Height of custom front panel	min 10 1/2	min 267
(H) Height from bottom datum to bottom of custom front panel	1/16	2
(I) Width of custom front panel	min 29 7/8	min 758
(J) Thickness of custom front panel	min 5/8	min 16
(K) Clearance behind custom front panel for push-to-open mechanism*	1/16	2
(L) Depth of drawer open**	16 3/4	425

\*A clearance of 1/16" (2mm) between the cabinet and the custom front panel is required for the push-to-open mechanism (spacer included).

\*\*Measured from front of chassis.

Note: Maximum custom front panel weight 11 lb (5kg).

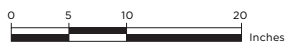
Minimum Clearances	inch	mm
Minimum inside height of cavity	10 3/4	273
Minimum inside width of cavity	28 1/2	724
Minimum inside depth of cavity*	22 13/16	580
Minimum clearance above product custom front panel to upper cabinetry front panel or appliance	1/16	2
Minimum clearance between adjacent front panel or appliance	1/16	2
Recommended cabinet height	10 3/4	273
Recommended cabinet width	30	762

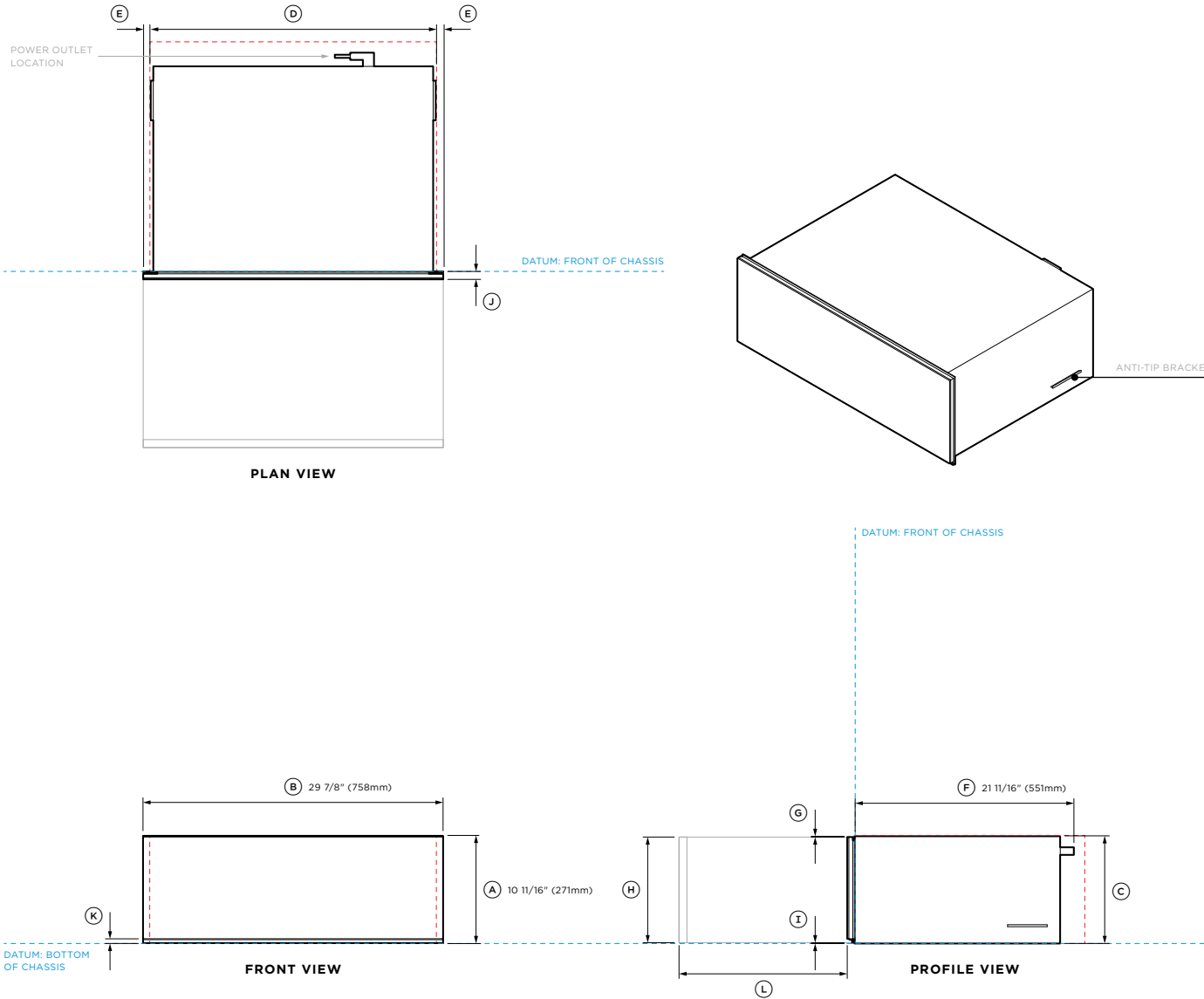
\*Measured from front of chassis.

Note: Drawers can fully support 30inch Fisher & Paykel ovens, without adding shelf in between.

----- INDICATES PRODUCT DATUM  
 - - - - - INDICATES CABINETY CLEARANCES

IMPORTANT NOTE: Throughout this guide, dimensions may vary by ±2mm (1/16"). Please read the installation manual for detailed information on installing the product. For full installation instructions & specifications visit [fisherpaykel.com](http://fisherpaykel.com)





**Model no:**

VB30SCX3 30" Series 9 Contemporary Vacuum Seal Drawer

Product Dimensions		inch	mm
Ⓐ	Overall height of product	10 11/16	271
Ⓑ	Overall width of product	29 7/8	758
Ⓒ	Height of chassis	10 11/16	271
Ⓓ	Width of chassis*	27 3/4	704
Ⓔ	Distance from side of chassis to front panel	11/16	17
Ⓕ	Depth of chassis (including power plug)	21 11/16	551
Ⓖ	Height from top of front panel to top of chassis	1/16	2
Ⓗ	Height of front panel	10 1/2	267
Ⓘ	Height from bottom datum to bottom of front panel	1/16	2
⓵	Thickness of front panel	13/16	20
Ⓚ	Visual gap height	15/32	12
Ⓛ	Depth of drawer open**	16 3/4	425

\*Including anti-tip brackets.  
\*\*Measured from front of front panel.

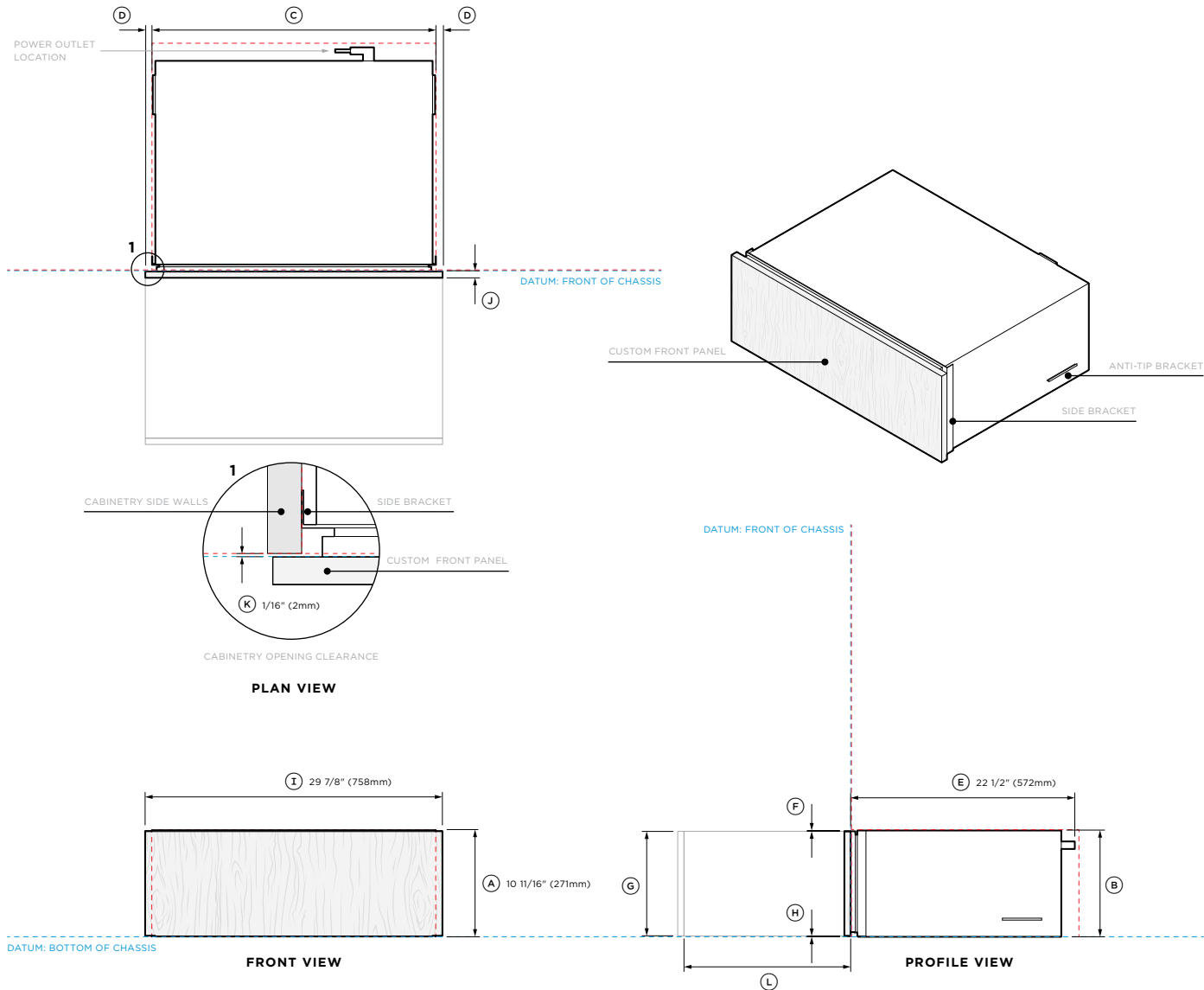
Minimum Clearances		inch	mm
Minimum inside height of cavity		10 3/4	273
Minimum inside width of cavity*		28 1/2	724
Minimum inside depth of cavity**		22 13/16	580
Minimum clearance above products front panel to upper cabinetry front panel or appliance***		5/32	4
Minimum clearance between adjacent front panel or appliance		1/16	2
Recommended cabinet height		10 3/4	273
Recommended cabinet width		30	762

\*Including anti-tip brackets.  
\*\*Measured from front of chassis.  
\*\*\*Achieve a smaller gap between product front panel to upper cabinetry front panel by dropping cabinetry front panel down.

Note: Drawers can fully support 30inch Fisher & Paykel ovens, without adding shelf in between.

----- INDICATES PRODUCT DATUM  
----- INDICATES CABINETRY CLEARANCES

IMPORTANT NOTE: Throughout this guide, dimensions may vary by ±2mm (1/16"). Please read the installation manual for detailed information on installing the product. For full installation instructions & specifications visit [fisherpaykel.com](http://fisherpaykel.com)



**Model no:**  
VB30SDEI3 30" Series 9 Integrated Vacuum Seal Drawer

Product Dimensions	inch	mm
Ⓐ Overall height of product	10 11/16	271
Ⓑ Height of chassis	10 11/16	271
Ⓒ Width of chassis (including side bracket)*	28 15/32	723
Ⓓ Distance from side bracket to custom front panel	11/16	17
Ⓔ Depth of chassis (including power plug)	22 1/2	572
Ⓕ Height from top of custom front panel to top of chassis	1/16	2
Ⓖ Height of custom front panel	min 10 1/2	min 267
Ⓗ Height from bottom datum to bottom of custom front panel	1/16	2
Ⓙ Width of custom front panel	min 29 7/8	min 758
Ⓝ Thickness of custom front panel	min 5/8	min 16
Ⓚ Clearance behind custom front panel for push-to-open mechanism**	1/16	2
Ⓛ Depth of drawer open***	16 3/4	425

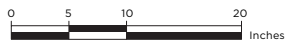
\*Including anti-tip brackets.  
\*\*A clearance of 1/16" (2mm) between the cabinet and the custom front panel is required for the push-to-open mechanism (spacer included).  
\*\*\*Measured from front of chassis.  
Note: Maximum custom front panel weight 11 lb (5kg).

Minimum Clearances	inch	mm
Minimum inside height of cavity	10 3/4	273
Minimum inside width of cavity*	28 1/2	724
Minimum inside depth of cavity**	22 13/16	580
Minimum clearance above product custom front panel to upper cabinetry front panel or appliance	1/16	2
Minimum clearance between adjacent front panel or appliance	1/16	2
Recommended cabinet height	10 3/4	273
Recommended cabinet width	30	762

\*Including anti-tip brackets.  
\*\*Measured from front of chassis.  
Note: Drawers can fully support 30inch Fisher & Paykel ovens, without adding shelf in between.

----- INDICATES PRODUCT DATUM  
----- INDICATES CABINETY CLEARANCES

IMPORTANT NOTE: Throughout this guide, dimensions may vary by ±2mm (1/16"). Please read the installation manual for detailed information on installing the product. For full installation instructions & specifications visit fisherpaykel.com



## PLANNING CONSIDERATIONS

**DIVIDING SHELF**

If the appliance front panel is thicker than the cabinetry front panel, adjust the dividing shelf depth to ensure the oven sits flush with the front of the cabinetry.

**BLACK CLASHING**

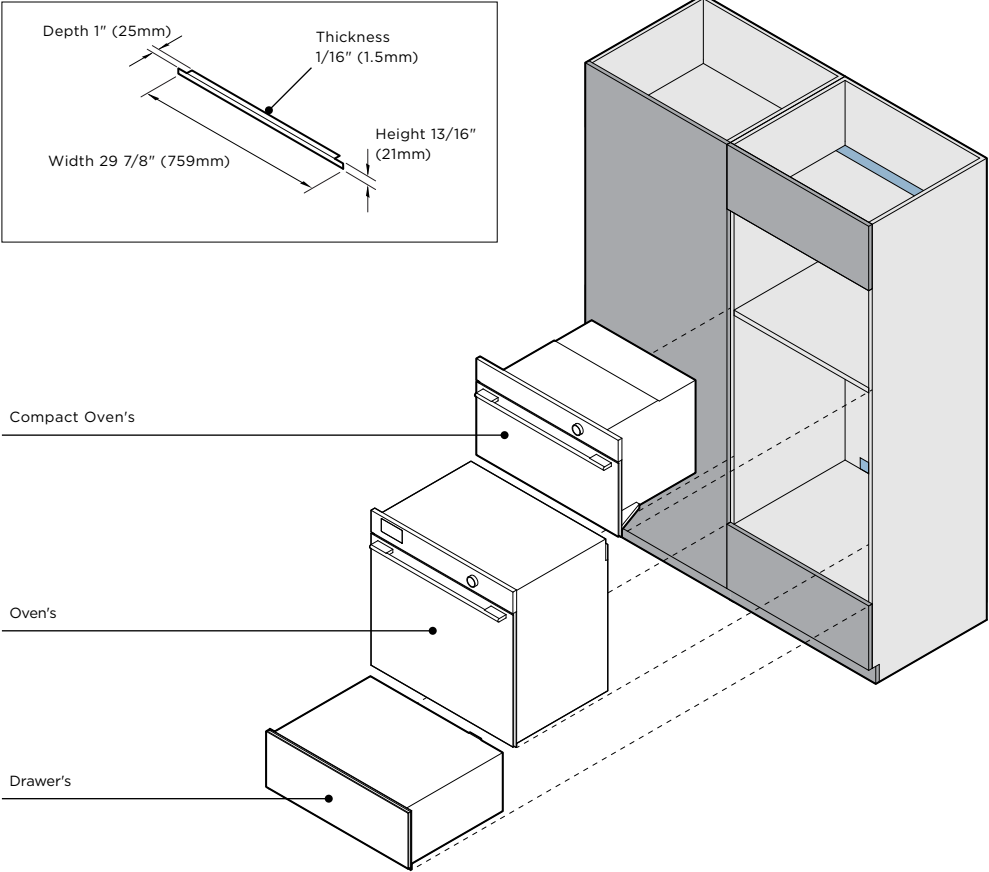
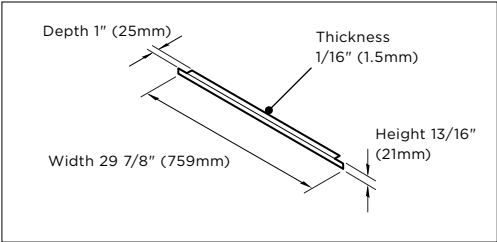
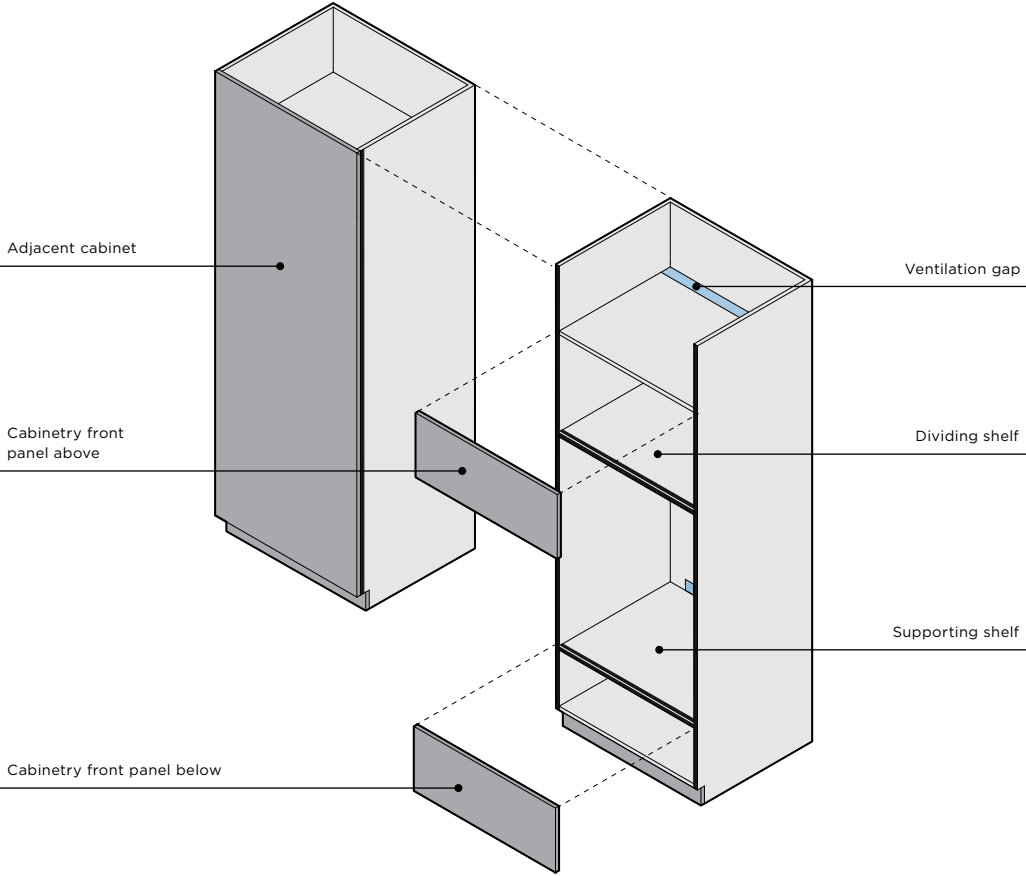
Black clashing is recommended on front facing edges and openings where products are located and on side cabinets if cabinet is rebated.

**OVEN CABINETRY TRIM**

If using light-colored cabinets, we recommend using black cabinetry trim to help hide the cabinetry beneath the front door panel of the appliance. Ensure the trim height does not interfere with any appliances or cabinetry below. Black cabinetry trim is included with ovens.

**LEVEL CABINETRY**

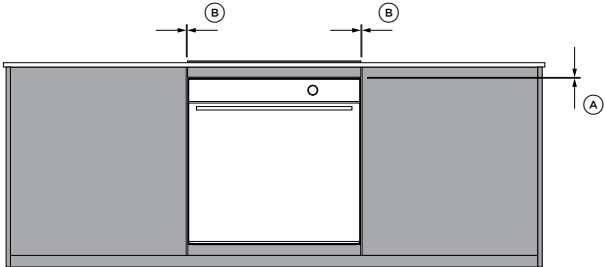
Check the shelves are level and the side panels are straight.



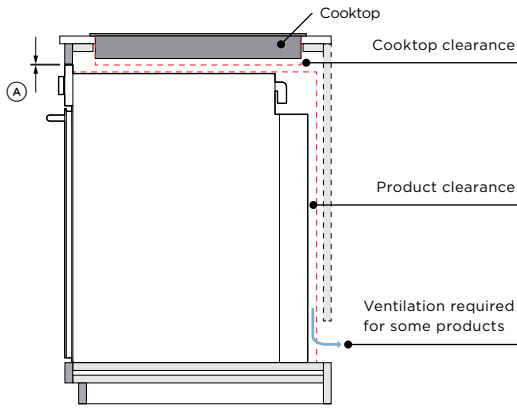
The models shown in this Planning Guide may not be available in all markets and are subject to change at any time. Product specifications may vary from those shown. This Planning Guide should not be used as installation guidance for any product. Further information is required to safely and correctly install the products featured here. Specific installation guidance will be available with the product on delivery and on our website fisherpaykel.com

**UNDERBENCH**

If installing a cooktop above the oven, ensure adequate clearance is provided for the cooktop as per the cooktop manufacturer's instructions.



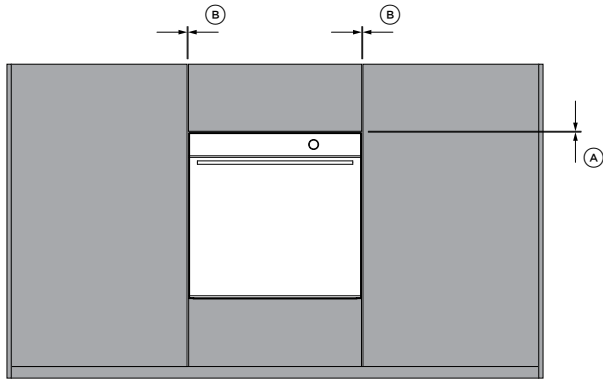
FRONT VIEW



PROFILE VIEW

**SINGLE INSTALLATION**

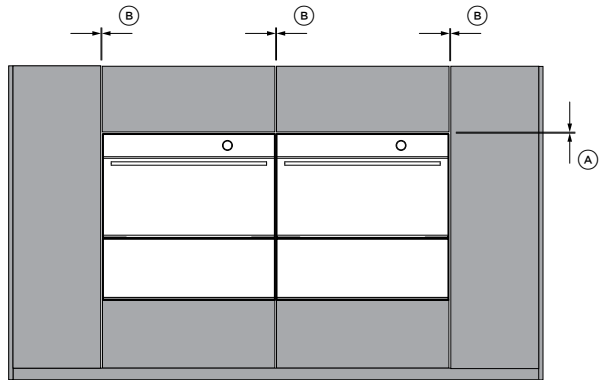
Head to the individual product 'Cabinetry' section in this Planning Guide for details.



FRONT VIEW

**STACKED OR GRID**

Head to the 'Stack Height' section in this Planning Guide for details.



FRONT VIEW

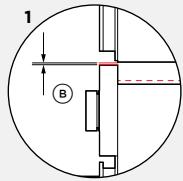
Clearances	inch	mm
(A) Minimum clearance above product control panel/front panel to upper cabinetry front panel or appliance	1/16	2
(B) Minimum clearance between adjacent front panel or appliance	1/16	2

The models shown in this Planning Guide may not be available in all markets and are subject to change at any time. Product specifications may vary from those shown. This Planning Guide should not be used as installation guidance for any product. Further information is required to safely and correctly install the products featured here. Specific installation guidance will be available with the product on delivery and on our website fisherpaykel.com

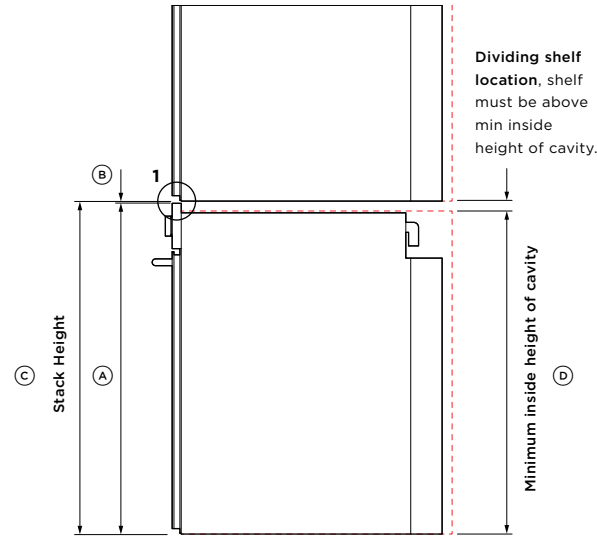
**STACK HEIGHT**

Stack height is overall product height with minimum clearance above appliance control panel or front panel.

$$\begin{array}{r}
 \text{A} \quad \text{Overall product height} \\
 + \\
 \text{B} \quad \text{Minimum clearance above appliance control panel or front panel to upper appliance} \\
 = \\
 \text{C} \quad \text{Stacked Height}
 \end{array}$$



PROFILE VIEW



PROFILE VIEW

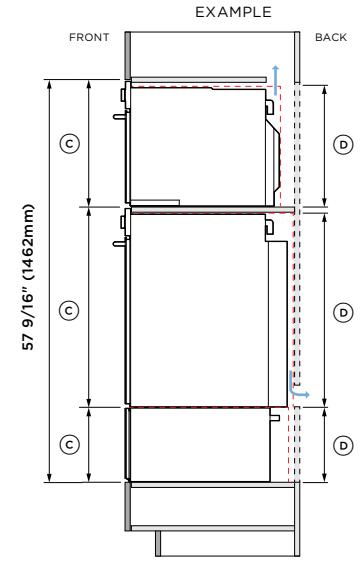
Dividing shelf location, shelf must be above min inside height of cavity.

**Ventilation** air vent is required at rear of cabinetry for some products.

**Dividing shelves** are required to support stacked appliances and to achieve correct clearance.

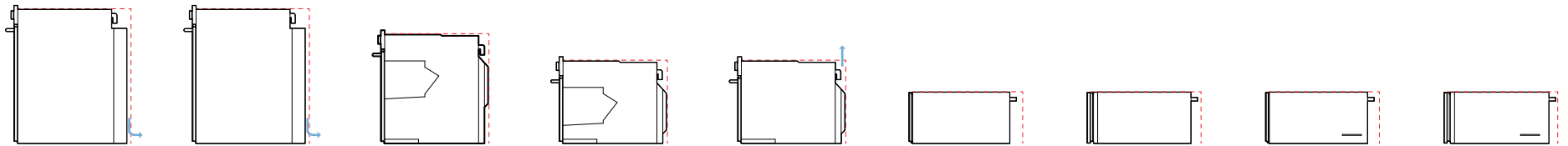
**Dividing shelves** must be constructed from material that will support the weight of the appliances. Ensure the oven is not bearing any weight from cabinetry or products installed above.

**Drawers** can fully support a 30inch Fisher & Paykel oven, without adding a shelf in between.



PROFILE VIEW

**MINIMUM INSIDE HEIGHT OF CAVITY**



DIMENSIONS	SELF-CLEANING OVEN OB30SCPUDX3		SELF-CLEANING STEAM ASSIST OVEN OB30SCPSUDX3		COMBI-STEAM OVEN OS30SCUDX3		COMPACT COMBI-STEAM OVEN OS30NCUDX3		COMPACT CONVECTION-SPEED OVEN OM30NCUDX3		WARMING DRAWER WB30SCX3		INTEGRATED WARMING DRAWER WB30SDEI3		VACUUM SEAL DRAWER VB30SCX3		INTEGRATED VACUUM SEAL DRAWER VB30SDEI3	
	inch	mm	inch	mm	inch	mm	inch	mm	inch	mm	inch	mm	inch	mm	inch	mm	inch	mm
A Overall product height	28 11/16	729	28 11/16	729	23 9/16	598	18	458	18	458	10 11/16	271	10 11/16	271	10 11/16	271	10 11/16	271
B Minimum clearance above	1/16	2	1/16	2	1/16	2	1/16	2	1/16	2	-	-	-	-	-	-	-	-
C Stack height	28 3/4	731	28 3/4	731	24	600	18 1/8	460	18 1/8	460	10 11/16*	271*	10 11/16*	271*	10 11/16*	271*	10 11/16*	271*
D Minimum inside height of cavity	28 1/32	712	28 1/32	712	22 13/16	580	17 5/16	440	17 5/16	440	-	-	-	-	-	-	-	-

\*Drawers can fully support 30inch Fisher & Paykel wall oven, without adding shelf in between. Note: Single installation of Drawers require minimum clearance above, head to individual product 'Cabinetry' section's of this Planning Guide for more details.

The models shown in this Planning Guide may not be available in all markets and are subject to change at any time. Product specifications may vary from those shown. This Planning Guide should not be used as installation guidance for any product. Further information is required to safely and correctly install the products featured here. Specific installation guidance will be available with the product on delivery and on our website fisherpaykel.com

**Model no:**  
OB30SCPUDX3 30" Series 9 Contemporary Self-Cleaning Oven

Product Dimensions	inch	mm
(A) Overall height of product	28 11/16	729
(B) Overall width of product	29 7/8	758
(C) Thickness of control panel (excludes handle and dial)	13/16	20

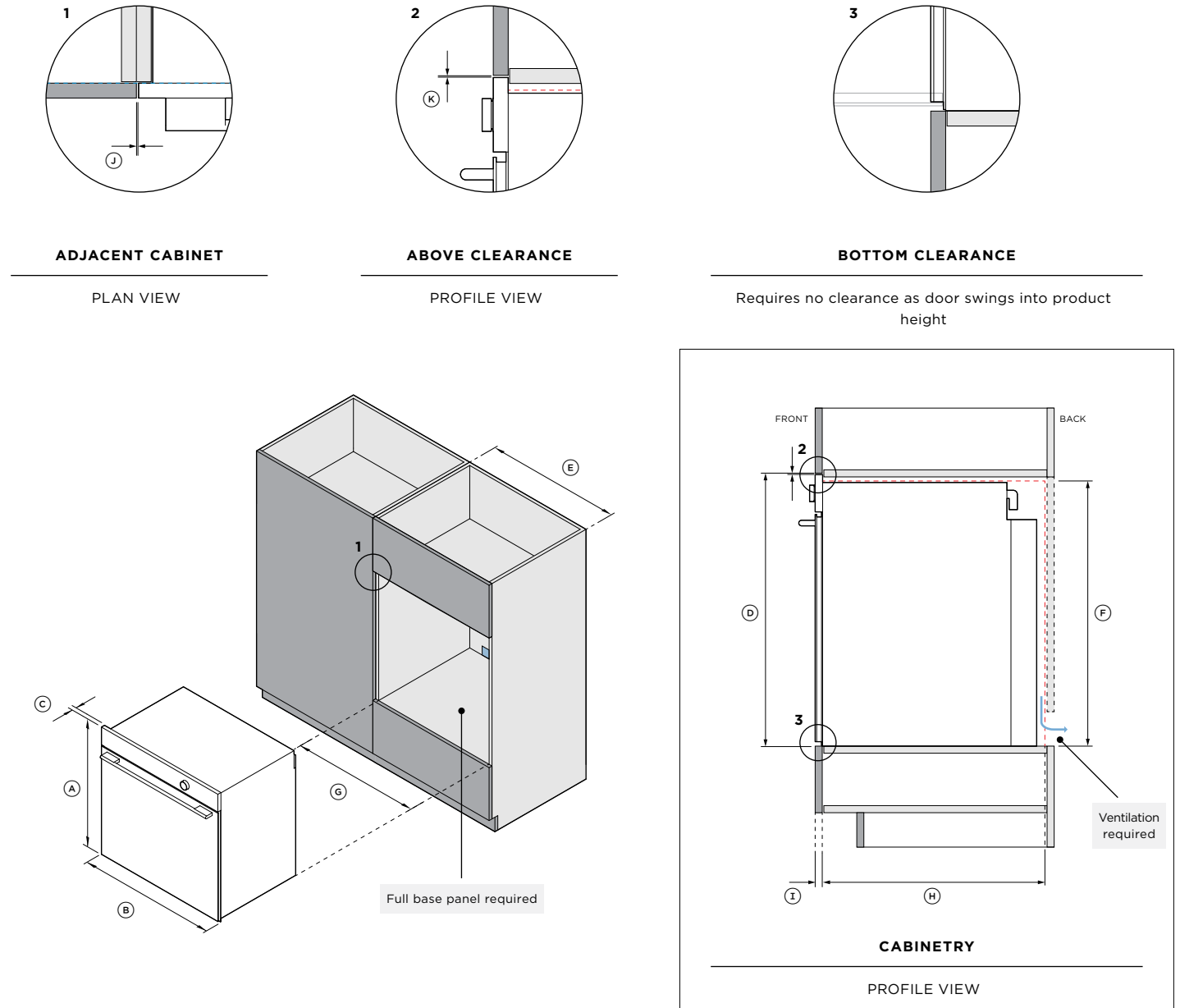
Cabinetry Dimensions	inch	mm
(D) Recommended cabinet height/stack height	28 3/4	731
(E) Recommended cabinet width	30	762
(F) Minimum inside height of cavity	28 1/32	712
(G) Minimum inside width of cavity	28 1/2	724
(H) Minimum inside depth of cavity*	23 1/2	597
(I) Thickness of cabinetry front panel	5/8-13/16	16-20
Rear ventilation height**	2 5/32	55
Rear ventilation width**	24	600

\*Measured from front of chassis.  
 \*\*A minimum ventilation area of 51in<sup>2</sup> (330cm<sup>2</sup>) is required. The air vent must be located at the rear of the cabinet and positioned within 3 5/32" (80mm) from the bottom of the chassis datum, or the cabinet back must be open.

Note: Cabinetry requires a full base panel.

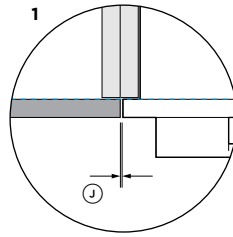
Cabinetry clearances	inch	mm
(J) Minimum clearance between adjacent front panel or appliance	1/16	2
(K) Minimum clearance above product control panel to upper cabinetry front panel or appliance	1/16	2

Note: If installing a cooktop above the oven, ensure adequate clearance is provided for the cooktop as per the cooktop manufacturer's instructions.



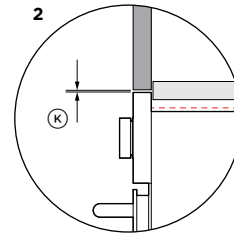
The models shown in this Planning Guide may not be available in all markets and are subject to change at any time. Product specifications may vary from those shown. This Planning Guide should not be used as installation guidance for any product. Further information is required to safely and correctly install the products featured here. Specific installation guidance will be available with the product on delivery and on our website fisherpaykel.com

<b>Model no:</b>		
OB30SCPSUDX3 30" Series 11 Contemporary Self-Cleaning Steam Assist Oven		
<b>Product Dimensions</b>		
	<b>inch</b>	<b>mm</b>
(A) Overall height of product	28 11/16	729
(B) Overall width of product	29 7/8	758
(C) Thickness of control panel (excludes handle and dial)	13/16	20
<b>Cabinetry Dimensions</b>		
	<b>inch</b>	<b>mm</b>
(D) Recommended cabinet height/stack height	28 3/4	731
(E) Recommended cabinet width	30	762
(F) Minimum inside height of cavity	28 1/32	712
(G) Minimum inside width of cavity	28 1/2	724
(H) Minimum inside depth of cavity*	23 1/2	597
(I) Thickness of cabinetry front panel	5/8-13/16	16-20
Rear ventilation height**	2 5/32	55
Rear ventilation width**	24	600
*Measured from front of chassis.		
**A minimum ventilation area of 51inch <sup>2</sup> (330cm <sup>2</sup> ) is required. The air vent must be located at the rear of the cabinet and positioned within 3 5/32" (80mm) from the bottom of the chassis datum, or the cabinet back must be open.		
Note: Cabinetry requires a full base panel.		
<b>Cabinetry clearances</b>		
	<b>inch</b>	<b>mm</b>
(J) Minimum clearance between adjacent front panel or appliance	1/16	2
(K) Minimum clearance above product control panel to upper cabinetry front panel or appliance	1/16	2
Note: If installing a cooktop above the oven, ensure adequate clearance is provided for the cooktop as per the cooktop manufacturer's instructions.		



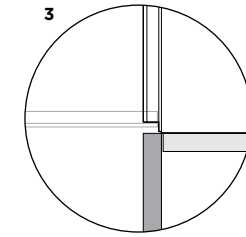
ADJACENT CABINET

PLAN VIEW



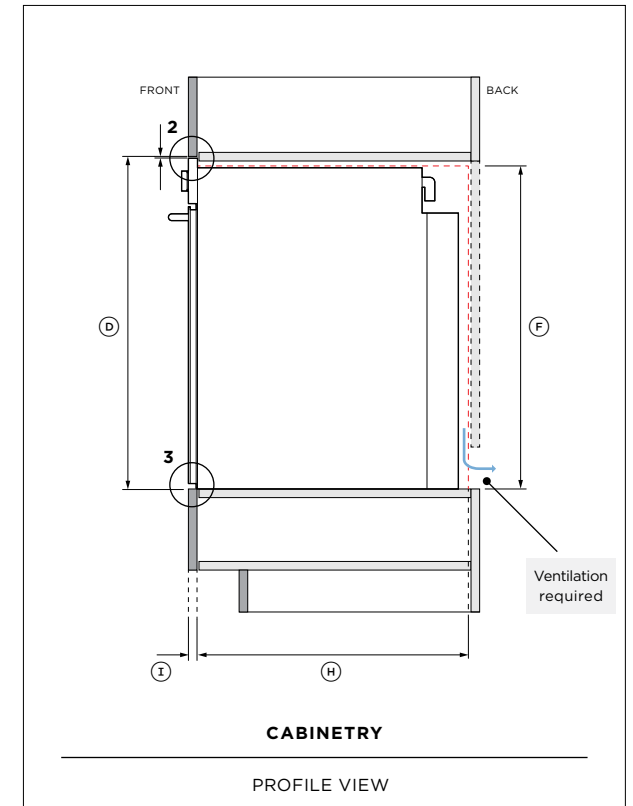
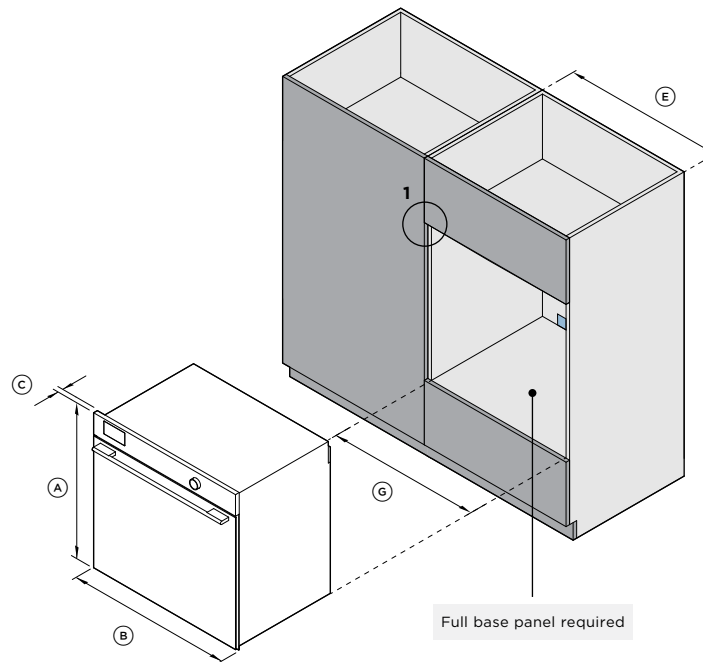
ABOVE CLEARANCE

PROFILE VIEW



BOTTOM CLEARANCE

Requires no clearance as door swings into product height



The models shown in this Planning Guide may not be available in all markets and are subject to change at any time. Product specifications may vary from those shown. This Planning Guide should not be used as installation guidance for any product. Further information is required to safely and correctly install the products featured here. Specific installation guidance will be available with the product on delivery and on our website fisherpaykel.com

**Model no:**  
OS30SCUDX3 30" Series 11 Contemporary Combi-Steam Oven

Product Dimensions	inch	mm
(A) Overall height of product	23 9/16	598
(B) Overall width of product	29 7/8	758
(C) Thickness of control panel (excludes handle and dial)	13/16	20

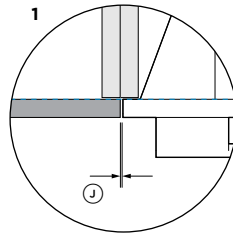
Cabinetry Dimensions	inch	mm
(D) Recommended cabinet height/stack height	24	600
(E) Recommended cabinet width	30	762
(F) Minimum inside height of cavity	22 13/16	580
(G) Minimum inside width of cavity	28 1/2	724
(H) Minimum inside depth of cavity*	21 5/8	550
(I) Thickness of cabinetry front panel	5/8-13/16	16-20

\*Measured from front of chassis.

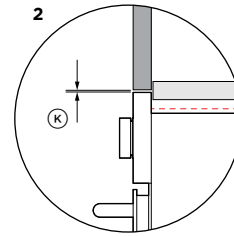
Cabinetry clearances	inch	mm
(J) Minimum clearance between adjacent front panel or appliance	1/16	2
(K) Minimum clearance above product control panel to upper cabinetry front panel or appliance	1/16	2

Note: If installing a cooktop above the oven, ensure adequate clearance is provided for the cooktop as per the cooktop manufacturer's instructions.



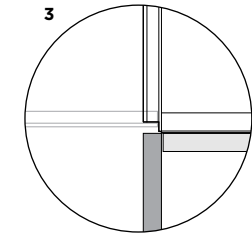
ADJACENT CABINET

PLAN VIEW



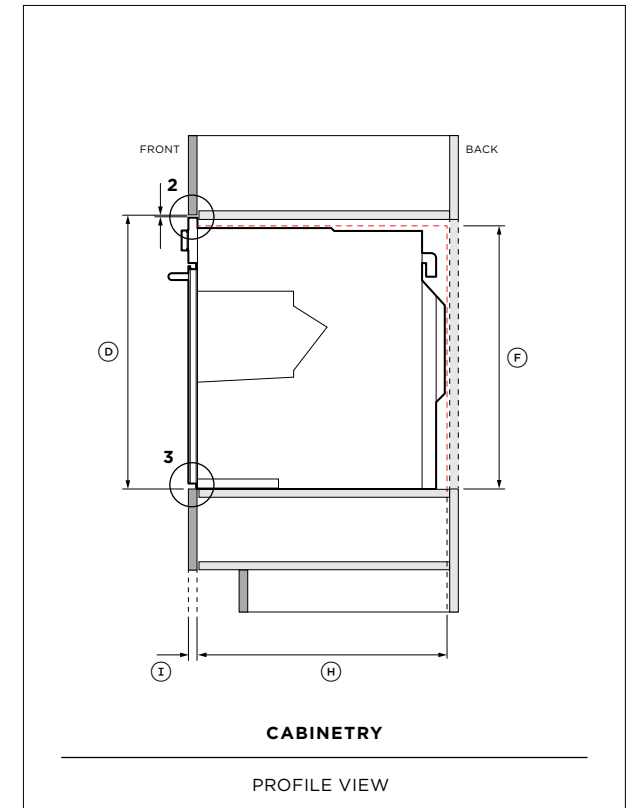
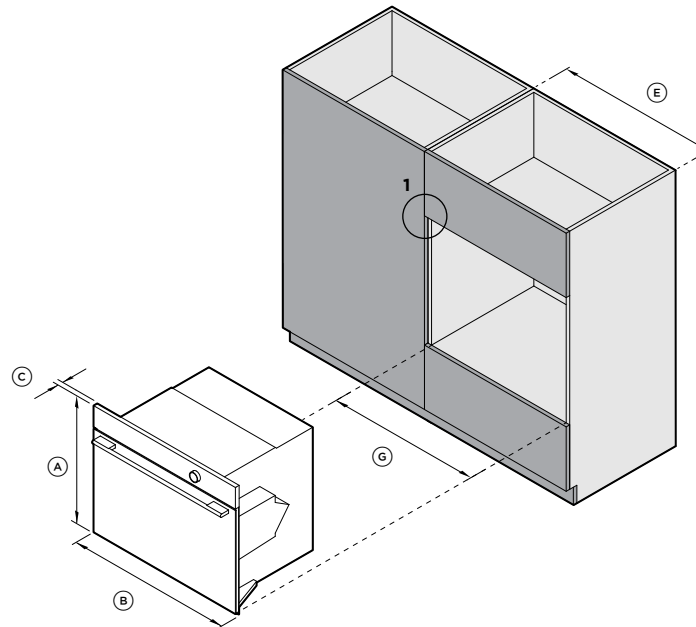
ABOVE CLEARANCE

PROFILE VIEW



BOTTOM CLEARANCE

Requires no clearance as door swings into product height



CABINETRY

PROFILE VIEW

The models shown in this Planning Guide may not be available in all markets and are subject to change at any time. Product specifications may vary from those shown. This Planning Guide should not be used as installation guidance for any product. Further information is required to safely and correctly install the products featured here. Specific installation guidance will be available with the product on delivery and on our website fisherpaykel.com

**Model no:**  
OS30NCUDX3 30" Series 9 Contemporary Compact Combi-Steam Oven

Product Dimensions	inch	mm
(A) Overall height of product	18	458
(B) Overall width of product	29 7/8	758
(C) Thickness of control panel (excludes handle and dial)	13/16	20

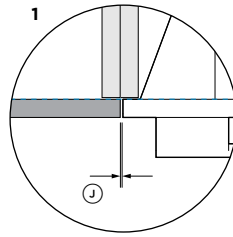
Cabinetry Dimensions	inch	mm
(D) Recommended cabinet height/stack height	18 1/8	460
(E) Recommended cabinet width	30	762
(F) Minimum inside height of cavity	17 5/16	440
(G) Minimum inside width of cavity	28 1/2	724
(H) Minimum inside depth of cavity*	21 5/8	550
(I) Thickness of cabinetry front panel	5/8-13/16	16-20

\*Measured from front of chassis.

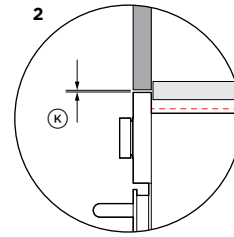
Cabinetry clearances	inch	mm
(J) Minimum clearance between adjacent front panel or appliance	1/16	2
(K) Minimum clearance above product control panel to upper cabinetry front panel or appliance	1/16	2

Note: If installing a cooktop above the oven, ensure adequate clearance is provided for the cooktop as per the cooktop manufacturer's instructions.



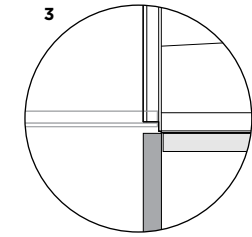
ADJACENT CABINET

PLAN VIEW



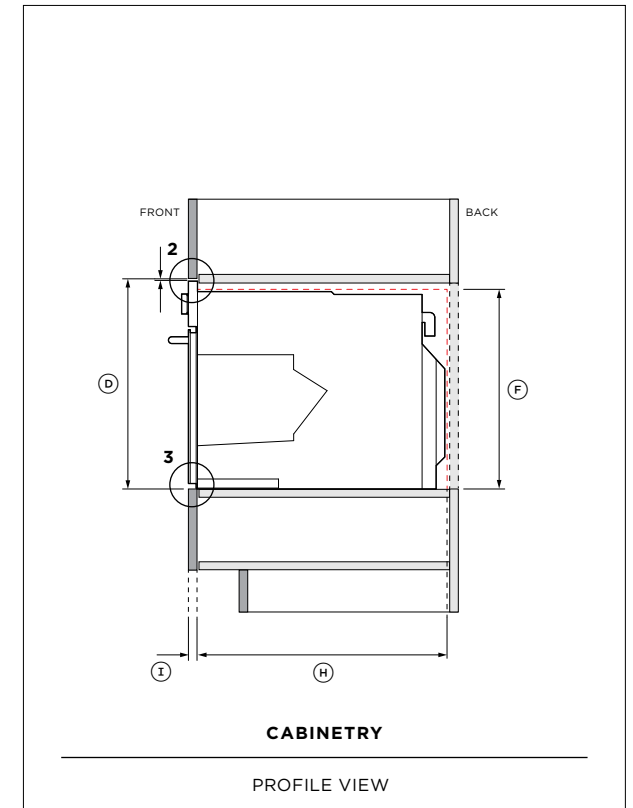
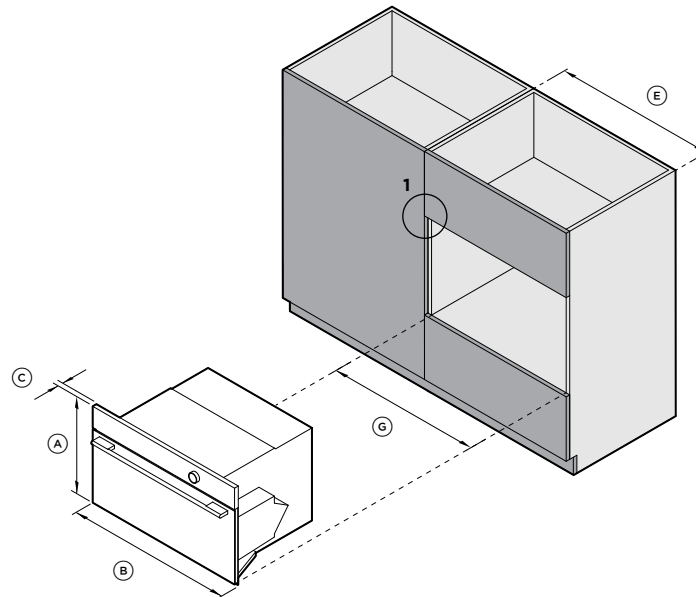
ABOVE CLEARANCE

PROFILE VIEW



BOTTOM CLEARANCE

Requires no clearance as door swings into product height



The models shown in this Planning Guide may not be available in all markets and are subject to change at any time. Product specifications may vary from those shown. This Planning Guide should not be used as installation guidance for any product. Further information is required to safely and correctly install the products featured here. Specific installation guidance will be available with the product on delivery and on our website fisherpaykel.com

**Model no:**  
OM30NCUDX3 30" Series 9 Contemporary Compact Convection-Speed Oven

Product Dimensions	inch	mm
(A) Overall height of product	18	458
(B) Overall width of product	29 7/8	758
(C) Thickness of control panel (excludes handle and dial)	13/16	20

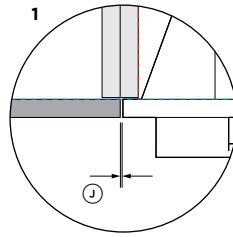
  

Cabinetry Dimensions	inch	mm
(D) Recommended cabinet height/stack height	18 1/8	460
(E) Recommended cabinet width	30	762
(F) Minimum inside height of cavity	17 5/16	440
(G) Minimum inside width of cavity	28 1/2	724
(H) Minimum inside depth of cavity*	21 5/8	550
(I) Thickness of cabinetry front panel	5/8-13/16	16-20
Rear ventilation height**	2	50
Rear ventilation width**	22 1/16	560

\*Measured from front of chassis.  
\*\*A minimum ventilation area of 43.4in<sup>2</sup> (280cm<sup>2</sup>) is required. The air vent must be located at the rear of cabinet, it can be positioned at the base, sides, back or top of the cavity.

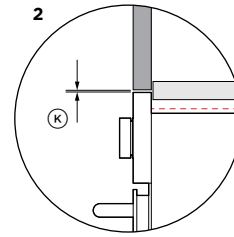
Cabinetry clearances	inch	mm
(J) Minimum clearance between adjacent front panel or appliance	1/16	2
(K) Minimum clearance above product control panel to upper cabinetry front panel or appliance	1/16	2

Note: If installing a cooktop above the oven, ensure adequate clearance is provided for the cooktop as per the cooktop manufacturer's instructions.



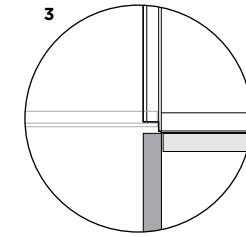
ADJACENT CABINET

PLAN VIEW



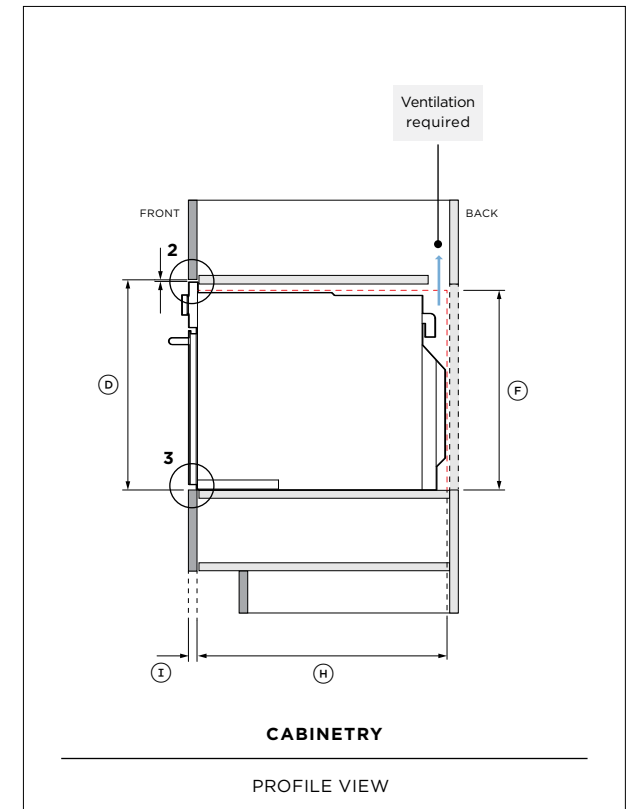
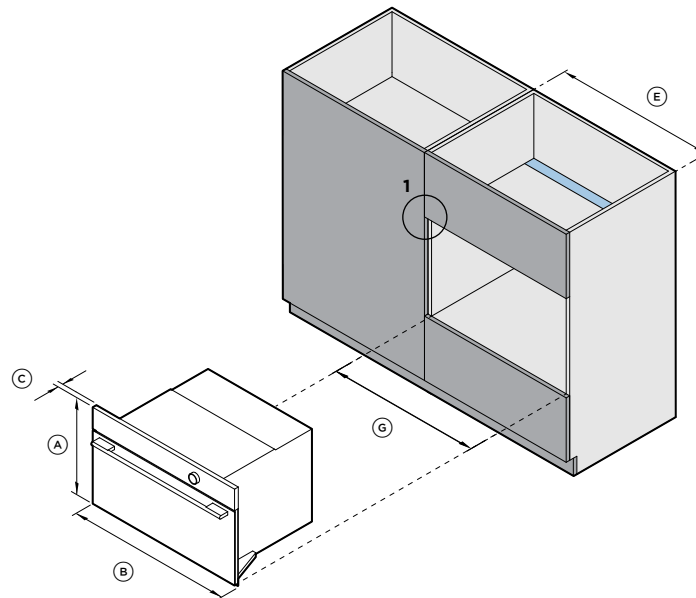
ABOVE CLEARANCE

PROFILE VIEW



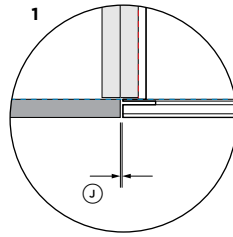
BOTTOM CLEARANCE

Requires no clearance as door swings into product height



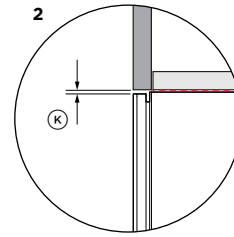
The models shown in this Planning Guide may not be available in all markets and are subject to change at any time. Product specifications may vary from those shown. This Planning Guide should not be used as installation guidance for any product. Further information is required to safely and correctly install the products featured here. Specific installation guidance will be available with the product on delivery and on our website fisherpaykel.com

<b>Model no:</b>		
WB30SCX3	30" Series 9 Contemporary Warming Drawer	
<b>Product Dimensions</b>		
	<b>inch</b>	<b>mm</b>
(A) Overall height of product	10 11/16	271
(B) Overall width of product	29 7/8	758
(C) Thickness of front panel	13/16	20
Note: Drawers can fully support 30inch Fisher & Paykel ovens, without adding shelf in between.		
<b>Cabinetry Dimensions</b>		
	<b>inch</b>	<b>mm</b>
(D) Recommended cabinet height - single install	10 3/4	273
(E) Recommended cabinet width	30	762
(F) Minimum inside height of cavity	10 3/4	273
(G) Minimum inside width of cavity	28 1/2	724
(H) Minimum inside depth of cavity*	22 13/16	580
(I) Thickness of cabinetry front panel	5/8-13/16	16-20
*Measured from front of chassis.		
<b>Cabinetry clearances</b>		
	<b>inch</b>	<b>mm</b>
(J) Minimum clearance between adjacent front panel or appliance	1/16	2
(K) Minimum clearance above products front panel to upper cabinetry front panel or appliance*	5/32	4
*Achieve a smaller gap between product front panel to upper cabinetry front panel by dropping cabinetry front panel down.		
Note: If installing a cooktop above the oven, ensure adequate clearance is provided for the cooktop as per the cooktop manufacturer's instructions.		



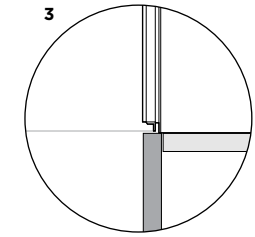
ADJACENT CABINET

PLAN VIEW



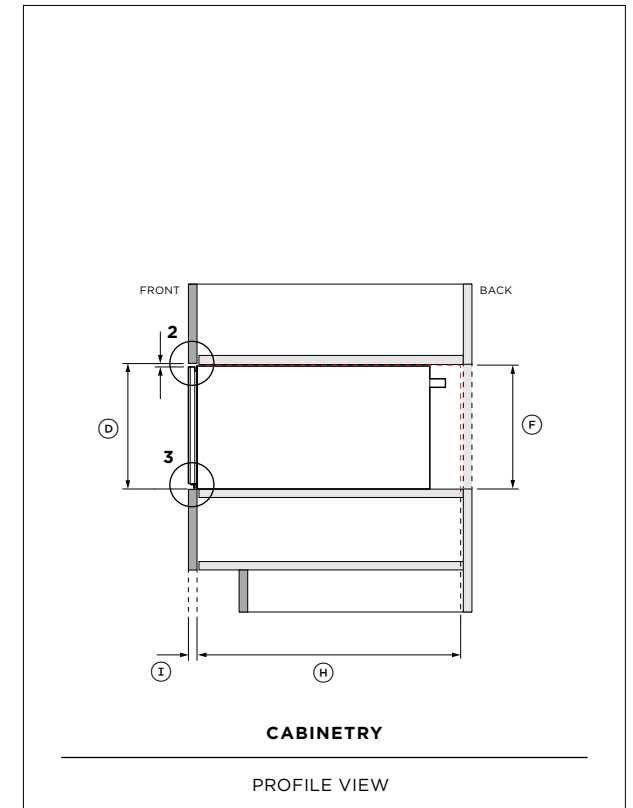
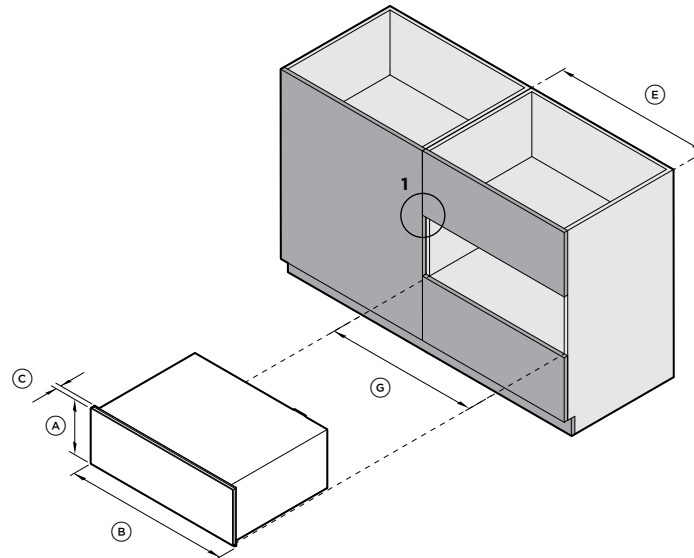
ABOVE CLEARANCE

PROFILE VIEW



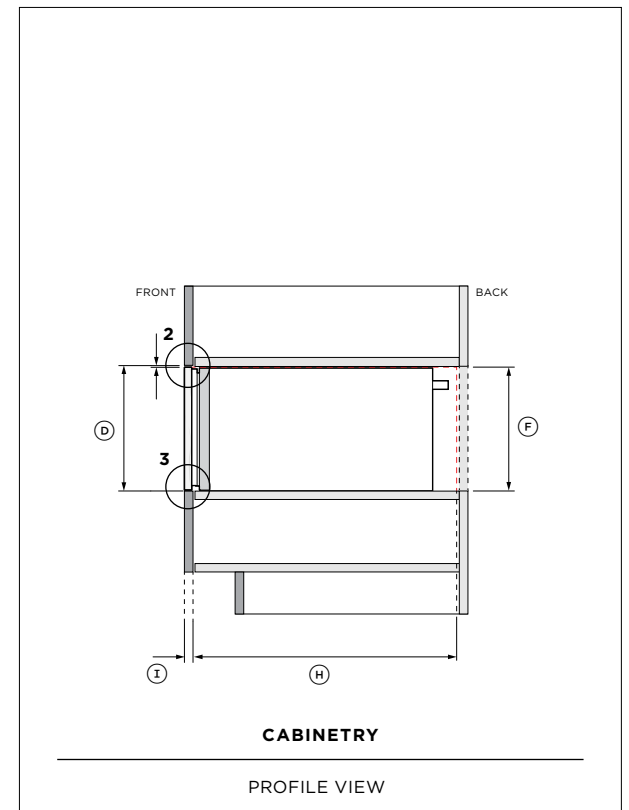
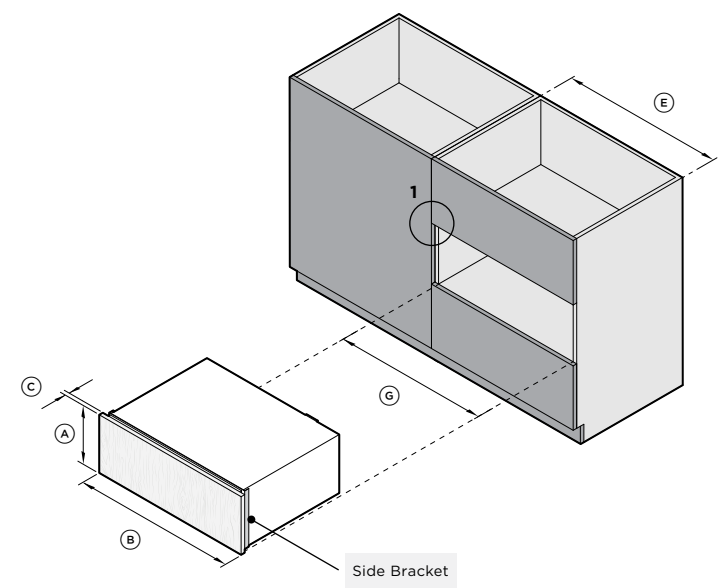
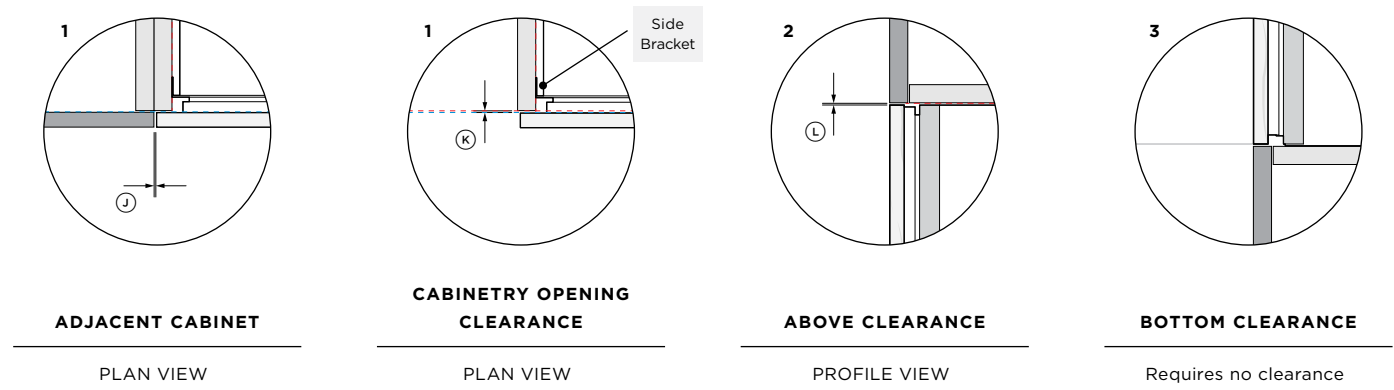
BOTTOM CLEARANCE

Requires no clearance



The models shown in this Planning Guide may not be available in all markets and are subject to change at any time. Product specifications may vary from those shown. This Planning Guide should not be used as installation guidance for any product. Further information is required to safely and correctly install the products featured here. Specific installation guidance will be available with the product on delivery and on our website fisherpaykel.com

<b>Model no:</b>		
WB30SDEI3 30" Series 9 Integrated Warming Drawer		
<b>Product Dimensions</b>		
	<b>inch</b>	<b>mm</b>
(A) Overall height of product	10 11/16	271
(B) Overall width of product	29 7/8	758
(C) Thickness of custom front panel	min 5/8	min 16
Note: Maximum custom front panel weight 11 lb (5kg).		
<b>Cabinetry Dimensions</b>		
	<b>inch</b>	<b>mm</b>
(D) Recommended cabinet height - single install	10 3/4	273
(E) Recommended cabinet width	30	762
(F) Minimum inside height of cavity	10 3/4	273
(G) Minimum inside width of cavity	28 1/2	724
(H) Minimum inside depth of cavity*	22 13/16	580
(I) Thickness of cabinetry front panel	5/8-13/16	16-20
*Measured from front of chassis.		
<b>Cabinetry clearances</b>		
	<b>inch</b>	<b>mm</b>
(J) Minimum clearance between adjacent front panel or appliance	1/16	2
(K) Clearance behind custom front panel for push-to-open mechanism*	1/16	2
(L) Minimum clearance above product custom front panel to upper cabinetry front panel or appliance	1/16	2
*A clearance of 1/16" (2mm) between the cabinet and the custom front panel is required for the push-to-open mechanism (spacer included).		
Note: Drawers can fully support 30inch Fisher & Paykel ovens, without adding shelf in between.		



The models shown in this Planning Guide may not be available in all markets and are subject to change at any time. Product specifications may vary from those shown. This Planning Guide should not be used as installation guidance for any product. Further information is required to safely and correctly install the products featured here. Specific installation guidance will be available with the product on delivery and on our website fisherpaykel.com

**Model no:**  
VB30SCX3 30" Series 9 Contemporary Vacuum Seal Drawer

Product Dimensions	inch	mm
(A) Overall height of product	10 11/16	271
(B) Overall width of product	29 7/8	758
(C) Thickness of front panel	13/16	20

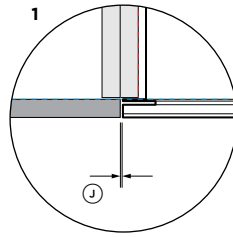
Note: Drawers can fully support 30inch Fisher & Paykel ovens, without adding shelf in between.

Cabinetry Dimensions	inch	mm
(D) Recommended cabinet height - single install	10 3/4	273
(E) Recommended cabinet width	30	762
(F) Minimum inside height of cavity	10 3/4	273
(G) Minimum inside width of cavity*	28 1/2	724
(H) Minimum inside depth of cavity**	22 13/16	580
(I) Thickness of cabinetry front panel	5/8-13/16	16-20

\*Including anti-tip brackets.  
\*\*Measured from front of chassis.

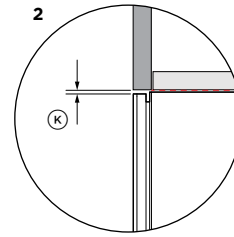
Cabinetry clearances	inch	mm
(J) Minimum clearance between adjacent front panel or appliance	1/16	2
(K) Minimum clearance above products front panel to upper cabinetry front panel or appliance*	5/32	4

\*Achieve a smaller gap between product front panel to upper cabinetry front panel by dropping cabinetry front panel down.  
Note: If installing a cooktop above the oven, ensure adequate clearance is provided for the cooktop as per the cooktop manufacturer's instructions.



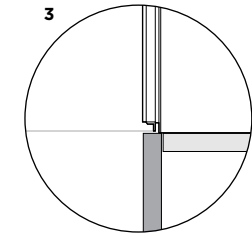
ADJACENT CABINET

PLAN VIEW



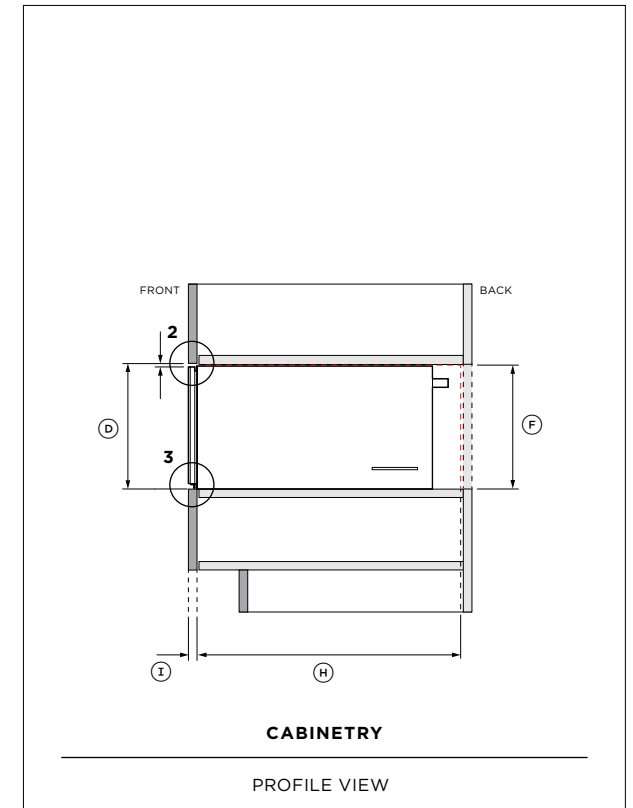
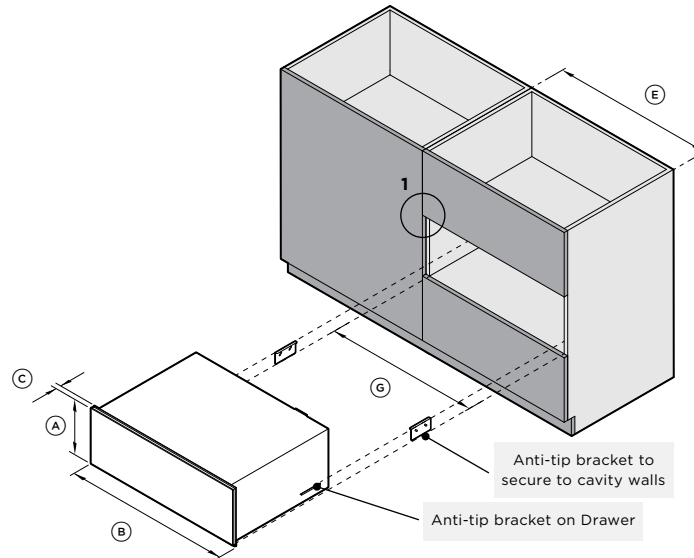
ABOVE CLEARANCE

PROFILE VIEW



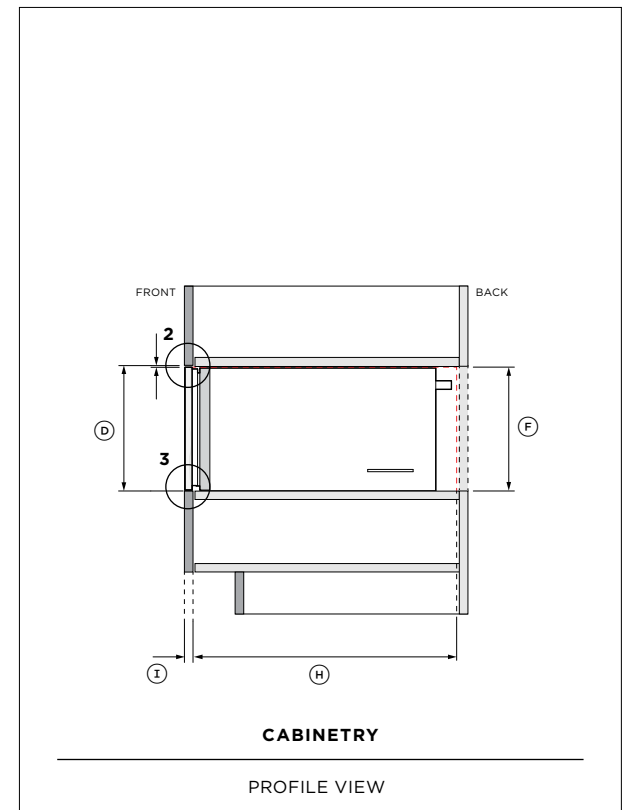
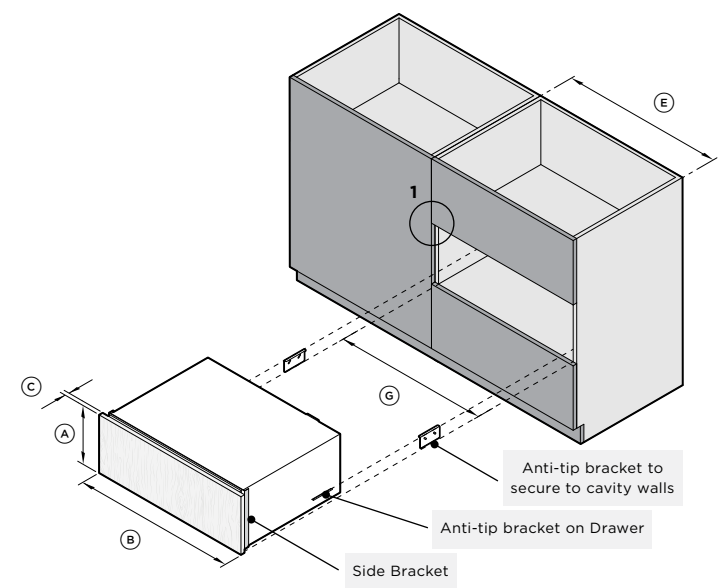
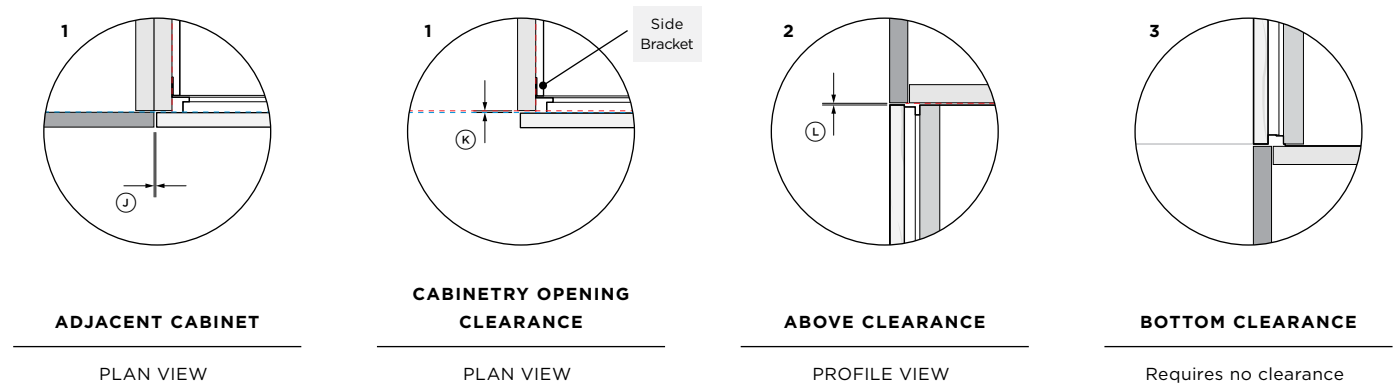
BOTTOM CLEARANCE

Requires no clearance



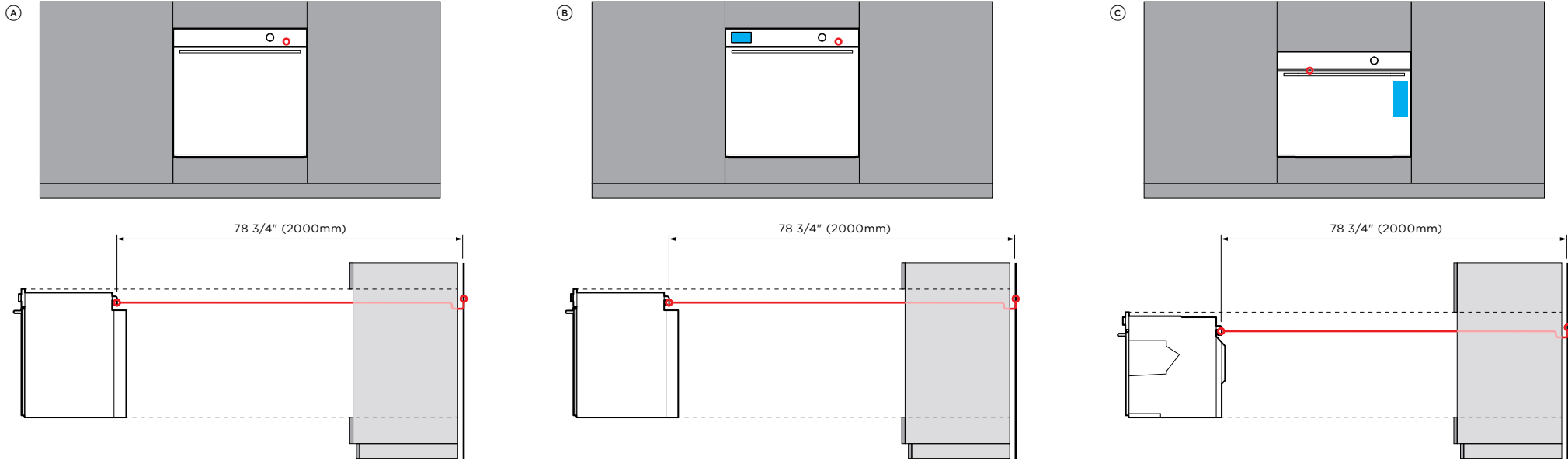
The models shown in this Planning Guide may not be available in all markets and are subject to change at any time. Product specifications may vary from those shown. This Planning Guide should not be used as installation guidance for any product. Further information is required to safely and correctly install the products featured here. Specific installation guidance will be available with the product on delivery and on our website fisherpaykel.com


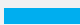
<b>Model no:</b>		
VB30SDEI3	30" Series 9 Integrated Vacuum Seal Drawer	
<b>Product Dimensions</b>		
	<b>inch</b>	<b>mm</b>
(A) Overall height of product	10 11/16	271
(B) Overall width of product	29 7/8	758
(C) Thickness of custom front panel	min 5/8	min 16
Note: Maximum custom front panel weight 11 lb (5kg).		
<b>Cabinetry Dimensions</b>		
	<b>inch</b>	<b>mm</b>
(D) Recommended cabinet height - single install	10 3/4	273
(E) Recommended cabinet width	30	762
(F) Minimum inside height of cavity	10 3/4	273
(G) Minimum inside width of cavity*	28 1/2	724
(H) Minimum inside depth of cavity**	22 13/16	580
(I) Thickness of cabinetry front panel	5/8-13/16	16-20
*Including anti-tip brackets.		
**Measured from front of chassis.		
<b>Cabinetry clearances</b>		
	<b>inch</b>	<b>mm</b>
(J) Minimum clearance between adjacent front panel or appliance	1/16	2
(K) Clearance behind custom front panel for push-to-open mechanism*	1/16	2
(L) Minimum clearance above product custom front panel to upper cabinetry front panel or appliance	1/16	2
*A clearance of 1/16" (2mm) between the cabinet and the custom front panel is required for the push-to-open mechanism (spacer included).		
Note: Drawers can fully support 30inch Fisher & Paykel ovens, without adding shelf in between.		



The models shown in this Planning Guide may not be available in all markets and are subject to change at any time. Product specifications may vary from those shown. This Planning Guide should not be used as installation guidance for any product. Further information is required to safely and correctly install the products featured here. Specific installation guidance will be available with the product on delivery and on our website fisherpaykel.com

## SERVICES



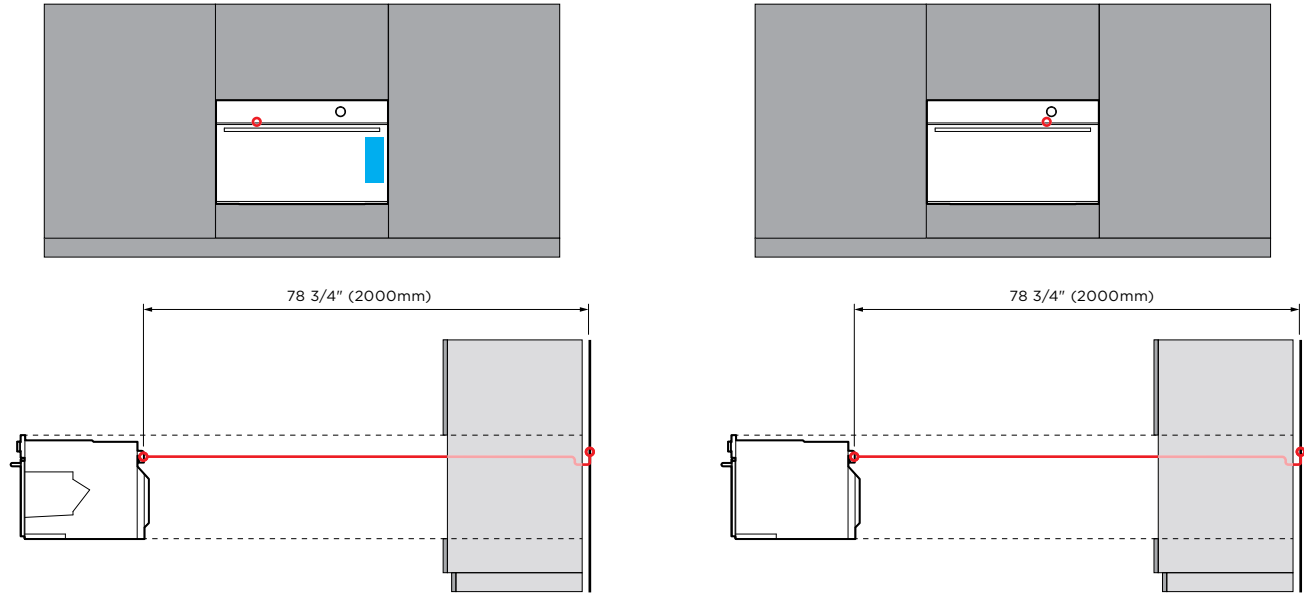
**POWER CABLE**   
**WATER TANK** 

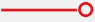

**CONNECTION**

Connections may be located in an adjacent cabinet to either side of the appliance. Ensure power will remain accessible following install to allow access for any future product maintenance.

	(A) SELF-CLEANING OVEN OB30SCPUDX3	(B) SELF-CLEANING STEAM ASSIST OVEN OB30SCPSUDX3	(C) COMBI-STEAM OVEN OS30SCUDX3
<b>POWER CORD</b>			
Maximum power cord length*	78 3/4" (2000mm)	78 3/4" (2000mm)	78 3/4" (2000mm)
Location	Upper right	Upper right	Upper Left
Connection**	Hard wired	Hard wired	Hard wired
*Measured from power outlet, supplied with product. **For more information, refer to the Installation Guide.			
<b>ELECTRICAL</b>			
Supply	208 or 240 V, 60 Hz	208 or 240 V, 60 Hz	208 or 240 V, 60 Hz
Service	20 A	20 A	20 A
Note: Multiple product installation requires the design of power outlets according to local regulations.			
<b>CAPACITY</b>			
Total oven capacity	4.9cu ft (137L)	4.9cu ft (137L)	3cu ft (85L)
Total water tank capacity	-	22.65fl oz (0.67L)	47.3fl oz (1.4L)

The models shown in this Planning Guide may not be available in all markets and are subject to change at any time. Product specifications may vary from those shown. This Planning Guide should not be used as installation guidance for any product. Further information is required to safely and correctly install the products featured here. Specific installation guidance will be available with the product on delivery and on our website fisherpaykel.com



**POWER CABLE**   
**WATER TANK** 

**CONNECTION**

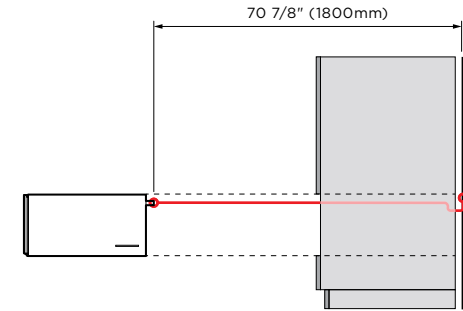
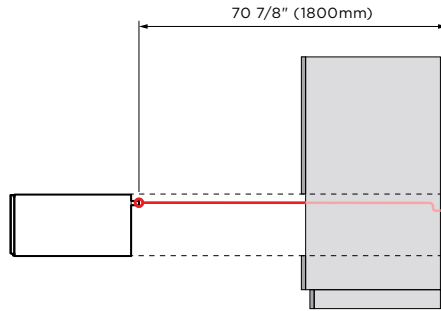
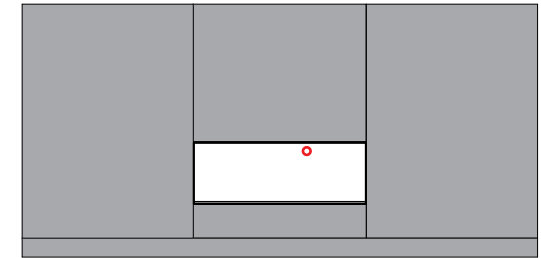
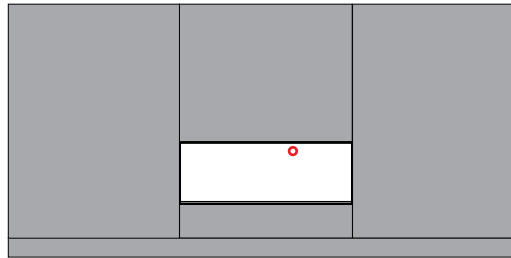
Connections may be located in an adjacent cabinet to either side of the appliance. Ensure power will remain accessible following install to allow access for any future product maintenance.



<b>POWER CORD</b>	
Maximum power cord length*	
Location	
Connection**	
*Measured from power outlet, supplied with product. **For more information, refer to the Installation Guide.	
<b>ELECTRICAL</b>	
Supply	
Service	
Note: Multiple product installation requires the design of power outlets according to local regulations.	
<b>CAPACITY</b>	
Total oven capacity	
Total water tank capacity	

<b>COMPACT COMBI-STEAM OVEN</b>	
OS30NCUDX3	
Maximum power cord length*	78 3/4" (2000mm)
Location	Upper Left
Connection**	Hard wired
*Measured from power outlet, supplied with product. **For more information, refer to the Installation Guide.	
Supply	208 or 240 V, 60 Hz
Service	20 A
Note: Multiple product installation requires the design of power outlets according to local regulations.	
Total oven capacity	1.9cu ft (55L)
Total water tank capacity	47.3fl oz (1.4L)

<b>COMPACT CONVECTION-SPEED OVEN</b>	
OM30NCUDX3	
Maximum power cord length*	78 3/4" (2000mm)
Location	Upper right
Connection**	Hard wired
*Measured from power outlet, supplied with product. **For more information, refer to the Installation Guide.	
Supply	208 or 240 V, 60 Hz
Service	20 A
Note: Multiple product installation requires the design of power outlets according to local regulations.	
Total oven capacity	1.7cu ft (49L)
Total water tank capacity	-

The models shown in this Planning Guide may not be available in all markets and are subject to change at any time. Product specifications may vary from those shown. This Planning Guide should not be used as installation guidance for any product. Further information is required to safely and correctly install the products featured here. Specific installation guidance will be available with the product on delivery and on our website fisherpaykel.com



**POWER CABLE**   
**WATER TANK** 

**CONNECTION**

Connections may be located in an adjacent cabinet to either side of the appliance. Ensure power will remain accessible following install to allow access for any future product maintenance.

**POWER CORD**

Maximum power cord length\*

Location

Connection\*\*

\*Measured from power outlet, supplied with product. \*\*For more information, refer to the Installation Guide.

**ELECTRICAL**

Supply

Service

**WARMING DRAWER AND INTEGRATED WARMING DRAWER**

WB30SCX3, WB30SDEI3

70 7/8" (1800mm)

Upper right

Plug with flex cord

**VACUUM SEAL DRAWER AND INTEGRATED VACUUM SEAL DRAWER**

VB30SCX3, VB30SDEI3

70 7/8" (1800mm)

Upper right

Plug with flex cord

Note: Multiple product installation requires the design of power outlets according to local regulations.

The models shown in this Planning Guide may not be available in all markets and are subject to change at any time. Product specifications may vary from those shown. This Planning Guide should not be used as installation guidance for any product. Further information is required to safely and correctly install the products featured here. Specific installation guidance will be available with the product on delivery and on our website fisherpaykel.com

