

FISHER & PAYKEL

DATA SHEET

Wall Rangehood, 120cm, Box Chimney

Model nos:

HC120DCXB4

Product Dimensions

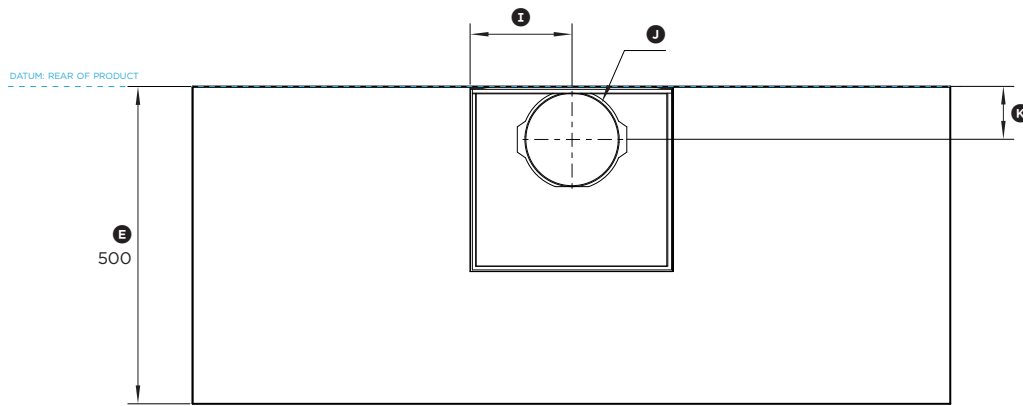
	mm
Ⓐ Maximum height of rangehood*	1035
Ⓑ Minimum overall height - recirculating	675
Ⓒ Minimum overall height	635
Ⓓ Overall width of rangehood	1198
Ⓔ Overall depth of rangehood	500
Ⓕ Height of canopy	55
Ⓖ Width of chimney	320
Ⓗ Depth of chimney	290
Ⓛ Distance from centre of ducting outlet to side of chimney	160
Ⓜ Ducting outlet diameter	150
Ⓝ Distance from centre of ducting outlet to back of product	85
Ⓟ Height of datum to top of lower chimney section	595

* Maximum height with chimney extension accessories 1400mm.

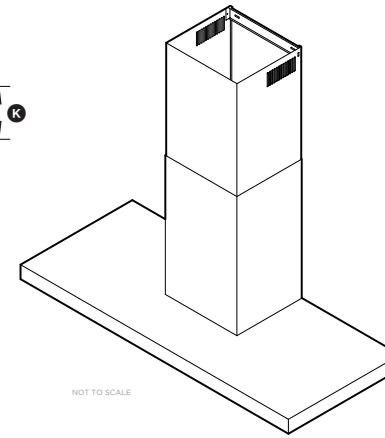
Minimum distance above cooktops

	mm
Height from base of product to cooking surface	min 600

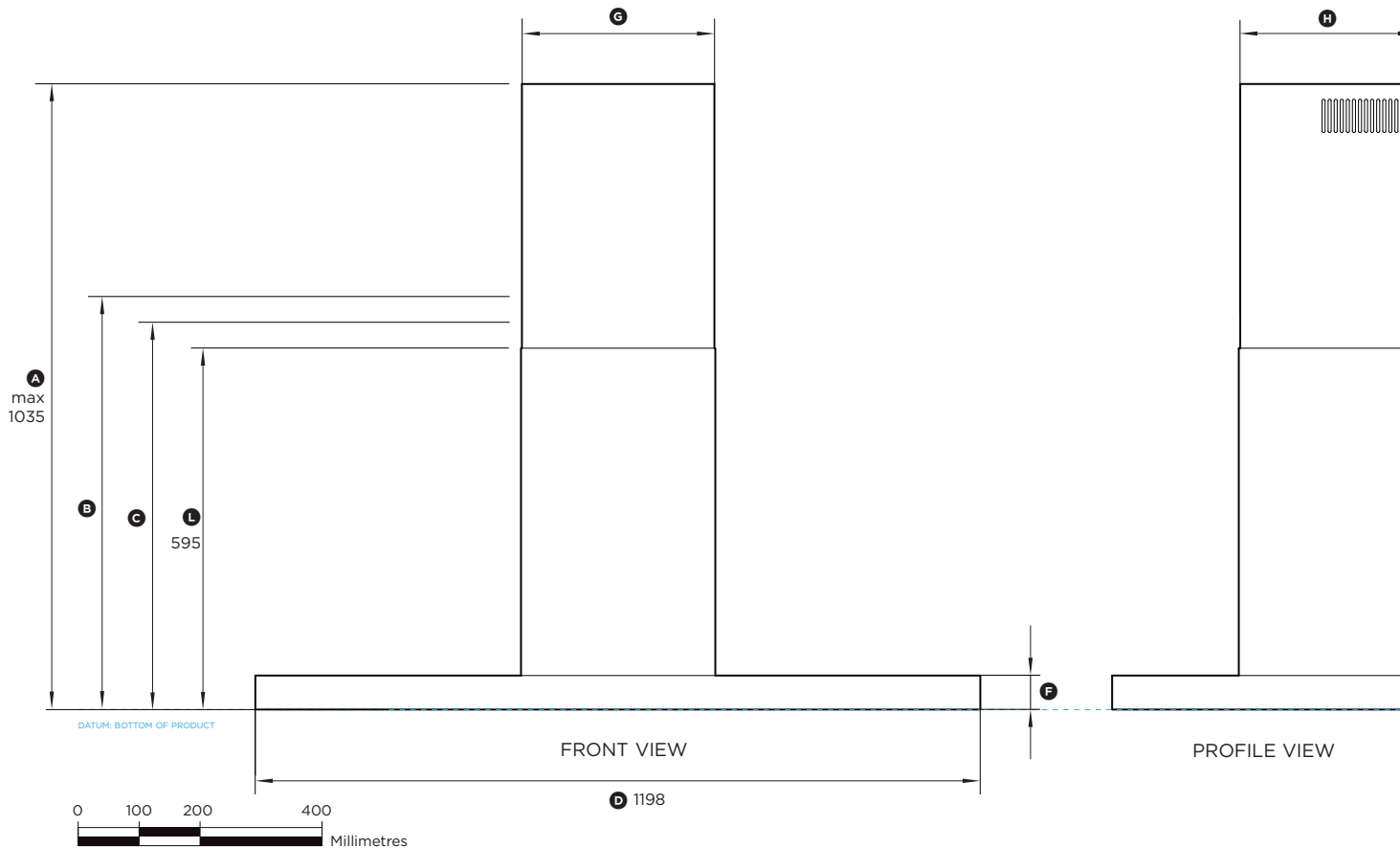
Note: Minimum installation height may be greater if required by your cooktop. Refer to cooktop installation instructions.



TOP VIEW



NOT TO SCALE



FRONT VIEW

PROFILE VIEW

INDICATES PRODUCT DATUM
INDICATES CABINETRY CLEARANCES

DATE: 24.08.2023

90003068A

IMPORTANT NOTE: Throughout this guide, dimensions may vary by ± 2 mm (1/16"). Please read the installation guide for detailed information on installing the product. For full installation instructions & specifications visit fisherpaykel.com

FISHER & PAYKEL

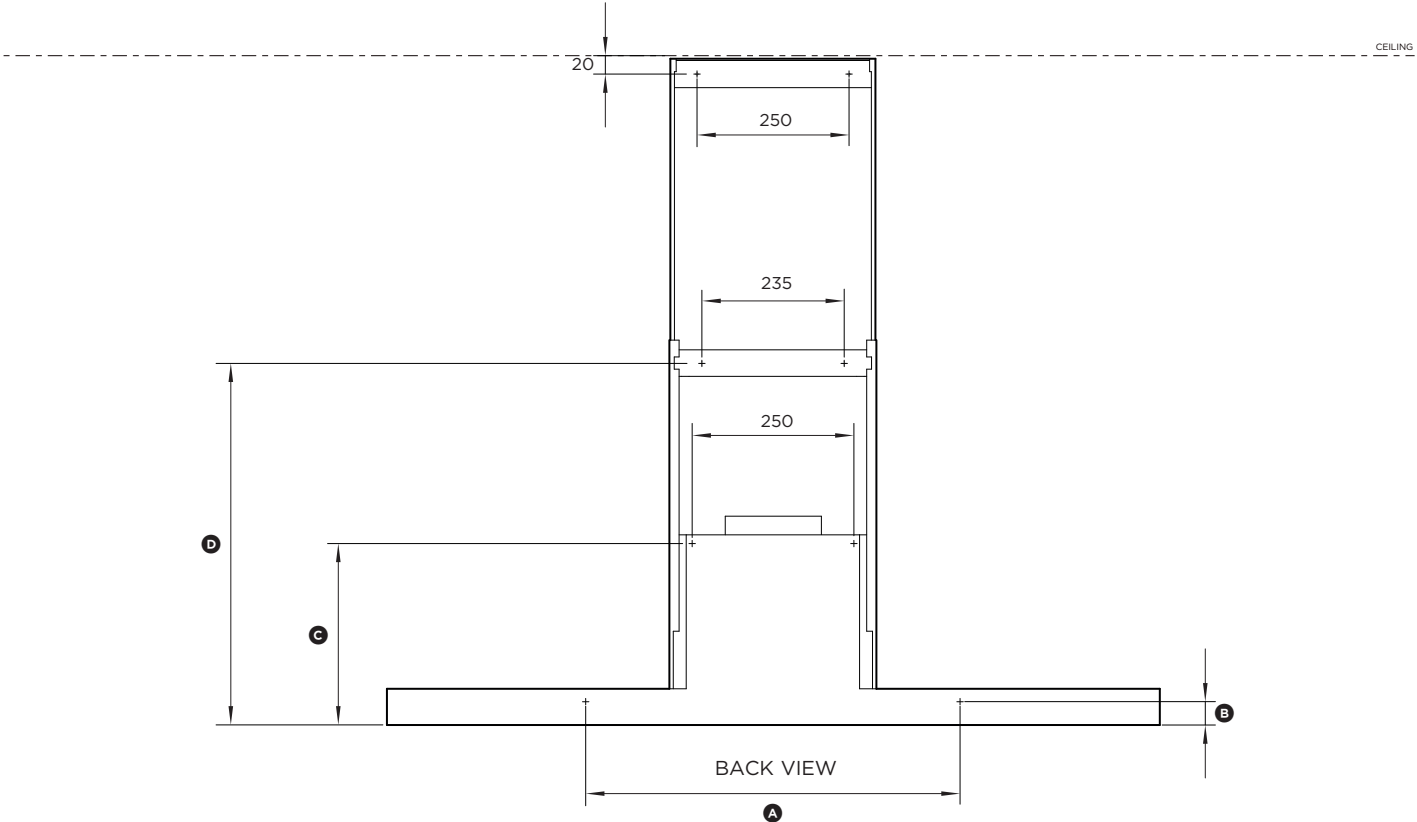
DATA SHEET

Wall Rangehood, 120cm, Box Chimney

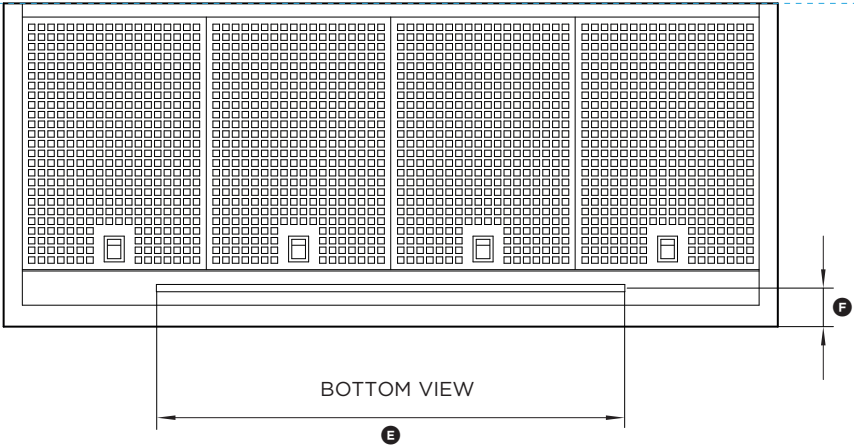
Model nos:

HC120DCXB4

Product Dimensions	mm
Ⓐ Lower rangehood attachment point width	770
Ⓑ Lower rangehood attachment point height	36
Ⓒ Upper rangehood attachment point height	286
Ⓓ Chimney bracket attachment point height	564
Ⓔ Light length	725
Ⓕ Distance from centre of light to front of product	60



DATUM: REAR OF PRODUCT



INDICATES PRODUCT DATUM -----

INDICATES CABINERY CLEARANCES - - - - -

DATE: 24.08.2023

90003068A

IMPORTANT NOTE: Throughout this guide, dimensions may vary by ±2mm (1/16"). Please read the installation guide for detailed information on installing the product. For full installation instructions & specifications visit fisherpaykel.com