

INTEGRATED TALL SINGLE DISHDRAWER™

PLANNING GUIDE

SERIES 11 | DD60STX6I1 | DD60STX6HI1

INTRODUCTION

This comprehensive planning guide provides you with the framework and tools to achieve your desired design outcome with Fisher & Paykel appliances. In this guide, you will find a range of conceptual, detailed, and dimensional product information to bring your ideas to life and create spaces that truly reflect your vision.

SUPPORT

For additional design planning and installation support please contact the Fisher & Paykel design support team.
designsupport@fisherpaykel.com

NOTES

The models shown in this Planning Guide may not be available in all markets and are subject to change at any time. Refer to our website fisherpaykel.com for the latest document version. Product specifications may vary from those shown. This Planning Guide should not be used as installation guidance for any product. Specific installation guidance will be available with the product on delivery and on our website.

CONTENTS

CONCEPT DESIGN

PAGE

DEVELOPED AND DETAILED DESIGN

PAGE

DEVELOPED AND DETAILED DESIGN

PAGE

Design choices

3

Data sheets

8

Custom door panel preparation

24

Pre-finished dishwashers

4

Dishwasher with custom door panel

9

Custom panel preparation

25

Integrated dishwashers

5

Dishwasher with stainless steel door panel

10

Venting specifications

26

Specification guide

6

Dishwasher with recessed handle door panel

11

Ventilation cabinet options

27

DD60STX6I1, DD60STX6HI1

7

Accessories

12

Duct placement

28

Handles

13

Services

29

Stainless steel panels

14

Service specifications

30

Planning considerations

15

Service placement options

31

Cavity specifications

16

Electrical and plumbing specifications

32

Over width cavity specifications

17

Data sheets: Handles

33

Custom panel specifications

18

Contemporary square fine handle

34

Dual installation

19

Contemporary round handle

35

Cooldrawer™ and dishwasher side by side

20

Classic round handle

36

Assisted Opening Accessory

21

Professional round flush handle

37

Data sheet

22

Assisted opening cabinet specifications

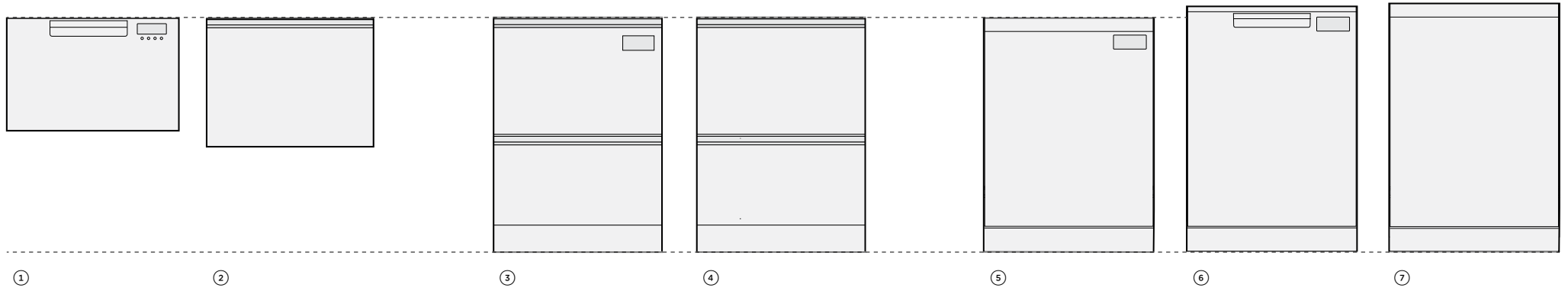
23

DESIGN CHOICES

SINGLE DRAWER

DOUBLE DRAWER

DROP DOOR



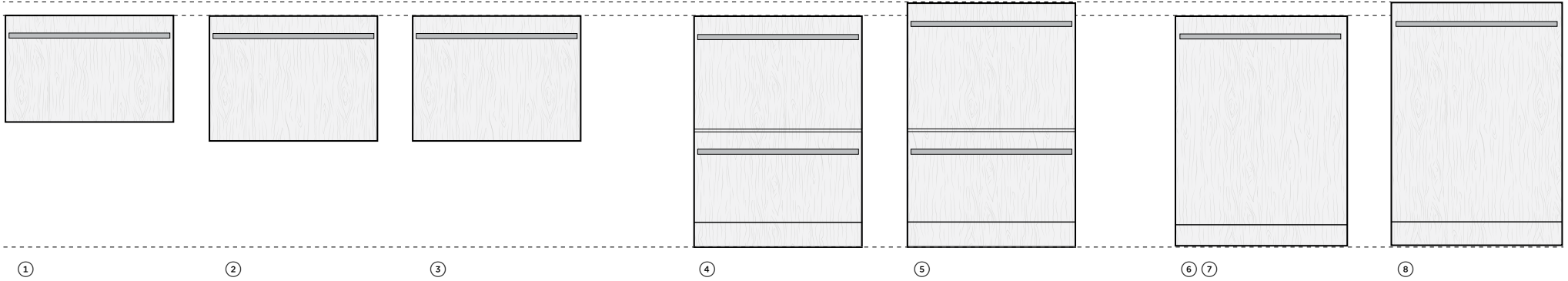
STYLE	MODELS	FINISH	HANDLE STYLE	HEIGHT	WIDTH	DEPTH
① Contemporary Single DishDrawer™ Series 7	DD60SCX9 DD60SAX9	Stainless Steel Stainless Steel	Pocket handle, external control panel	410mm	599mm	573mm
② Contemporary Tall Single DishDrawer™ Series 9	DD60ST4ZB9, DD60ST4HZB9 DD60ST4NB9, DD60ST4HNB9 DD60ST4NX9, DD60ST4HNX9	Black Glass Black Stainless Steel Stainless Steel	Recessed Handle, internal control panel	454mm	599mm	573mm
③ Contemporary Double DishDrawer™ Series 7	DD60D2NB9, DD60D2HNB9 DD60D2NX9, DD60D2HNX9	Black Stainless Steel Stainless Steel	Recessed Handle, internal control panel	820-880mm	599mm	573mm
④ Contemporary Double DishDrawer™ Series 9	DD60D4ZB9, DD60D4HZB9 DD60D4NB9, DD60D4HNB9 DD60D4NX9, DD60D4HNX9	Black Glass Black Stainless Steel Stainless Steel	Recessed Handle, internal control panel	820-880mm	599mm	573mm
⑤ Contemporary Built-Under Dishwasher Series 7	DW60UN4B2 DW60UN4X2	Black Stainless Steel Stainless Steel	Recessed Handle, internal control panel	820-880mm	597mm	574mm
⑥ Contemporary Dishwasher Series 7	DW60FC4B2 DW60FC4X2	Black Stainless Steel Stainless Steel	Pocket handle, external control panel	850-895mm	597mm	600mm
⑦ Contemporary Tall Built-Under DishDrawer™ Series 9	DW60UZT4B2 DW60UNT4B2 DW60UNT4X2	Black Glass Black Stainless Steel Stainless Steel	Recessed Handle, internal control panel	857 - 917mm	597mm	574mm

The models shown in this Planning Guide may not be available in all markets and are subject to change at any time. Product specifications may vary from those shown. This Planning Guide should not be used as installation guidance for any product. Further information is required to safely and correctly install the products featured here. Specific installation guidance will be available with the product on delivery and on our website fisherpaykel.com

SINGLE DRAWER

DOUBLE DRAWER

DROP DOOR



STYLE	MODELS	PRE-FINISHED PANEL OPTIONS	HANDLE OPTIONS	HEIGHT	WIDTH	DEPTH
① Integrated Single DishDrawer™ Series 9	DD60SI9 DD60SHI9	Black Stainless Steel, Brushed Stainless Steel	Contemporary, Professional and Classic	410mm	599mm	553mm
② Integrated Tall Single DishDrawer™ Series 9	DD60STI9 DD60STHI9	Black Stainless Steel, Brushed Stainless Steel	Contemporary, Professional and Classic	455mm	599mm	553mm
③ Integrated Tall Single DishDrawer™ Series 11	DD60STX6I1 DD60STX6HI1	Black Stainless Steel, Brushed Stainless Steel	Contemporary, Professional and Classic	455mm	599mm	553mm
④ Integrated Double DishDrawer™ Series 9	DD60DI9 DD60DHI9	Black Stainless Steel, Brushed Stainless Steel	Contemporary, Professional and Classic	820-880mm	599mm	571mm
⑤ Integrated Tall Double DishDrawer™ Series 11	DD60DTX6I1 DD60DTX6HI1	Black Stainless Steel, Brushed Stainless Steel	Contemporary, Professional and Classic	865-925mm	599mm	553mm
⑥ Integrated Built-Under Dishwasher Series 7	DW60U4I2 DW60U4HI2	Black Stainless Steel, Brushed Stainless Steel	Contemporary, Professional and Classic	820-880mm	598mm	554mm
⑦ Integrated Tall Dishwasher Series 9	DW60U2I2	Black Stainless Steel, Stainless Steel	Contemporary, Professional and Classic	820-880mm	598mm	554mm
⑧ Integrated Built-Under Dishwasher Series 9	DW60UT4I2 DW60UT4HI2	Black Stainless Steel, Brushed Stainless Steel	Contemporary, Professional and Classic	857 - 917mm	597mm	554mm

The models shown in this Planning Guide may not be available in all markets and are subject to change at any time. Product specifications may vary from those shown. This Planning Guide should not be used as installation guidance for any product. Further information is required to safely and correctly install the products featured here. Specific installation guidance will be available with the product on delivery and on our website fisherpaykel.com

SPECIFICATION GUIDE



DD60STX6I1, DD60STX6HI1

OVERVIEW

Install your DishDrawer™ Dishwasher into an existing kitchen space or integrate into kitchen cabinetry. The touch-sensitive control panel is located inside this Integrated model, leaving an uninterrupted exterior that blends seamlessly with surrounding cabinetry.

PRODUCTS**DD60STX6I1**

Integrated Dishdrawer™, 60cm wide

DD60STX6HI1

Integrated Dishdrawer™ with water softener, 60cm wide

ACCESSORIES**PRE-FINISHED PANEL**

Brushed stainless steel - ADDD60STPX

Black stainless steel - ADDD60STPB

PRE-FINISHED PANELS WITH RECESSED HANDLES

Brushed stainless steel - ADDD60STNX

Black stainless steel - ADDD60STNB

Matte black glass - ADDD60STZB

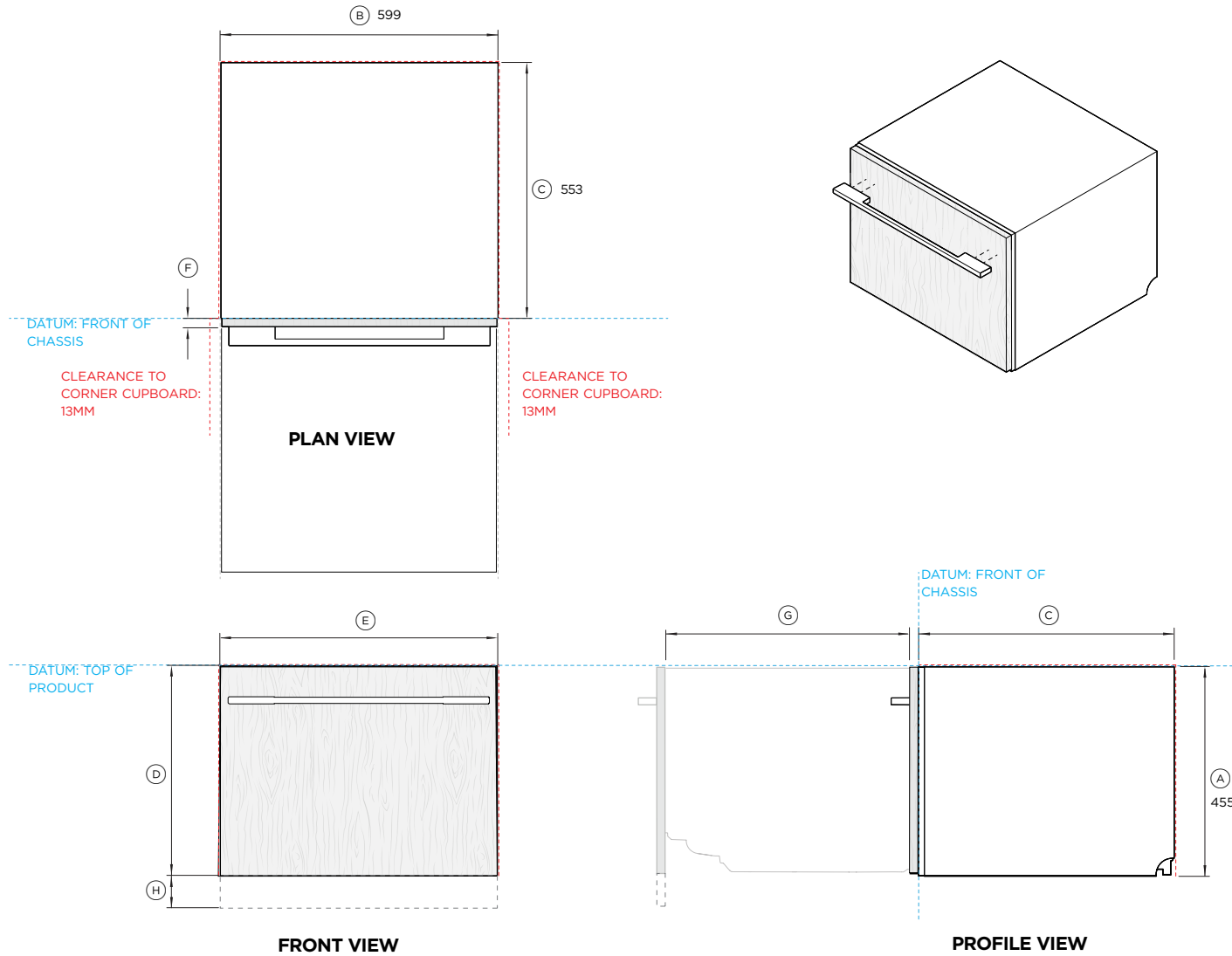
HANDLES

Handles are available for the DishDrawer™ including Contemporary, Professional, and Classic styles. Options include brushed aluminium, black, and stainless steel finishes. Two handle kits are required for double drawer models.

FEATURES

- ① Eight wash programs including Auto, 60min and Glassware, while modifiers such as Sanitize, Dry+ and Quiet provide added wash flexibility. The Quiet wash modifier reduces the noise on some cycles while maintaining performance - perfect for late night washing.
- ② Drawer fits full-size dinner plates up to 310mm, with flexible racking for large cookware.
- ③ Wi-Fi capability and a SmartHQ™ app to see cycle status and notifications.
- ④ With the flexibility of ergonomic placement and function, single DishDrawer™ Dishwashers can be distributed throughout the kitchen to support patterns of use. The touch-sensitive control panel is located inside this Integrated model, leaving an uninterrupted exterior that blends seamlessly with surrounding cabinetry.
- ⑤ For ease-of-use, these DishDrawer™ Dishwashers have a knock to pause function. A knock on the front panel will pause the dishwasher, which can be restarted by using the start button.

DATA SHEETS



Model no:
DD60STX6I1 Series 11, Integrated Tall Single DishDrawer™ Dishwasher
DD60STX6HI1 Series 11, Integrated Tall Single DishDrawer™ Dishwasher

Shown with:
 AHD5-OBDD-60SX Contemporary Square Fine Handle, 60cm**

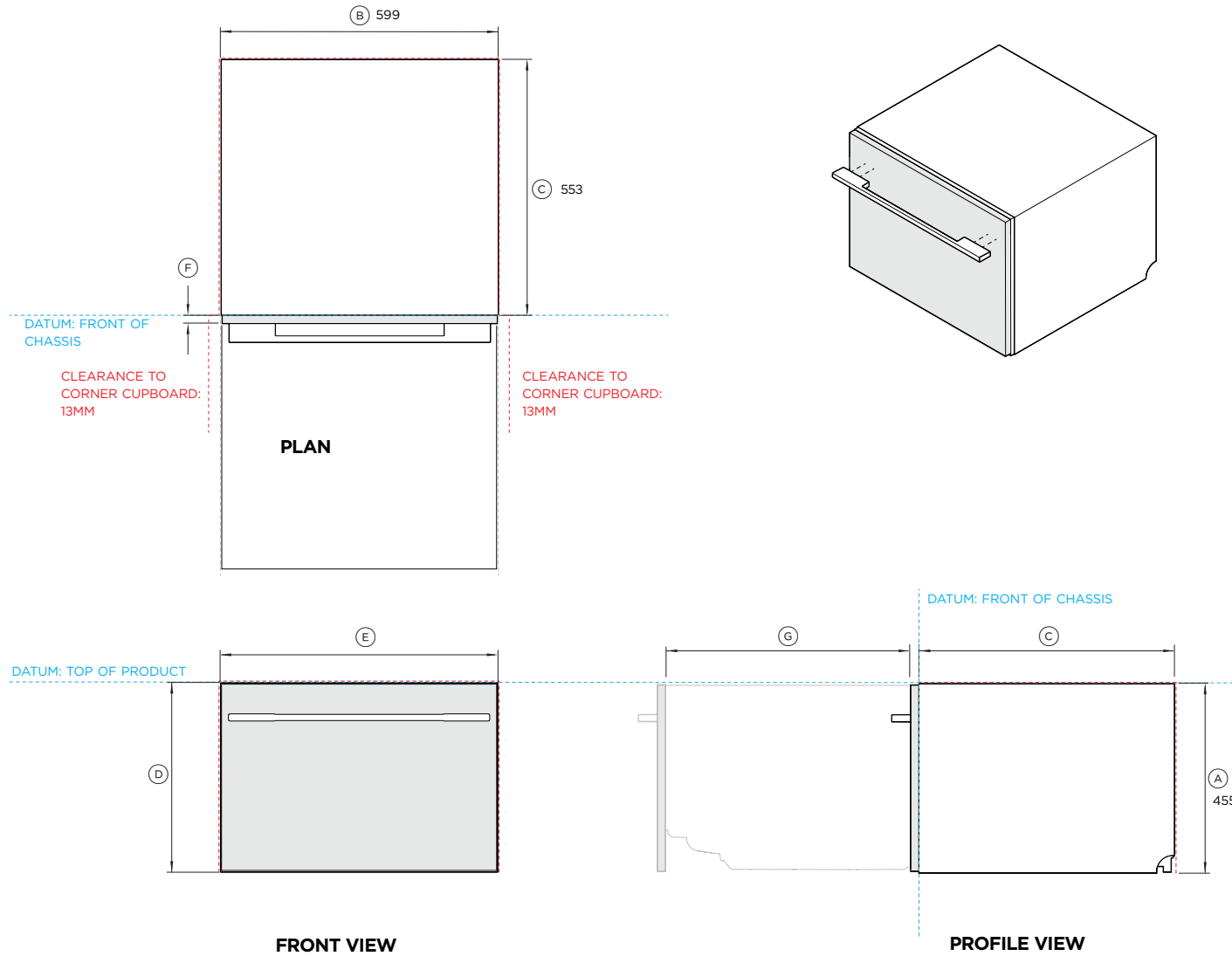
Product Dimensions	mm
(A) Overall height of chassis	455
(B) Overall width of chassis	599
(C) Overall depth of chassis*	553
(D) Minimum height of drawer panel	452
(E) Minimum width of drawer panel	596
(F) Drawer panel thickness	16-20
(G) Maximum drawer opening	527
(H) Maximum lower extension of drawer	50
Minimum toe kick height***	100
Minimum toe kick depth***	60

Minimum Clearances	mm
Minimum inside height of cavity	457
Minimum inside width of cavity	600
Minimum overall depth of cavity**	578
Minimum clearance to corner cupboard	13
Minimum clearance to adjacent cupboard door	2

*Excluding drawer panels.
 **Assumes 18mm drawer panels.
 ***A minimum toe kick height of 100mm and depth of 60mm is required if venting through toe kick.

----- INDICATES CABINETY / PRODUCT DATUM
 - - - - - INDICATES CABINETY CLEARANCES
 - - - - - INDICATES CUTOUT

IMPORTANT NOTE: Throughout this guide, dimensions may vary by ±2mm (1/16"). Please read the installation manual for detailed information on installing the product. For full installation instructions & specifications visit fisherpaykel.com



Model no:
DD60STX6I1 Series 11, Integrated Tall Single DishDrawer™ Dishwasher
DD60STX6HI1 Series 11, Integrated Tall Single DishDrawer™ Dishwasher

Shown with:
 ADDD60STPX Stainless Steel Drawer Panel
 AHD5-OBDD-60SX Contemporary Square Fine Handle, 60cm**

Product Dimensions		mm
(A)	Overall height of product	455
(B)	Overall width of chassis	599
(C)	Overall depth of chassis*	553
(D)	Height of drawer panel	447
(E)	Width of drawer panel	595
(F)	Depth of drawer panel	18
(G)	Maximum drawer opening	527
	Minimum toe kick height**	100
	Minimum toe kick depth**	60

Minimum Clearances		mm
	Minimum inside height of cavity	457
	Minimum inside width of cavity	600
	Minimum overall depth of cavity	571
	Minimum clearance to corner cupboard	13
	Minimum clearance to adjacent cupboard door	2

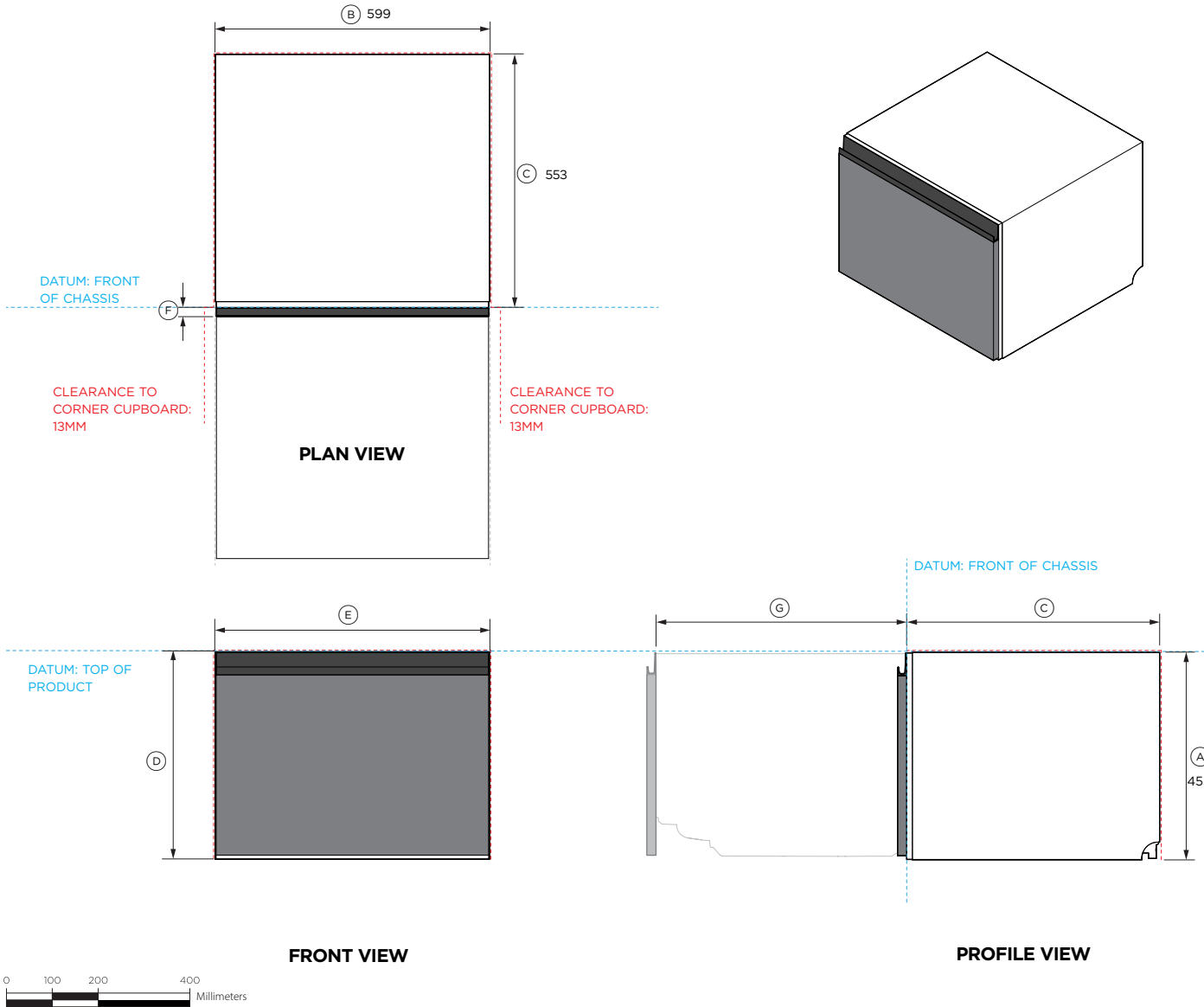
*Excluding drawer panels.
 **A minimum toe kick height of 100mm and depth of 60mm is required if venting through toe kick.

----- INDICATES CABINETRY / PRODUCT DATUM
 - - - - - INDICATES CABINETRY CLEARANCES
 - - - - - INDICATES CUTOUT

IMPORTANT NOTE: Throughout this guide, dimensions may vary by ±2mm (1/16"). Please read the installation manual for detailed information on installing the product. For full installation instructions & specifications visit fisherpaykel.com



The models shown in this Planning Guide may not be available in all markets and are subject to change at any time. Product specifications may vary from those shown. This Planning Guide should not be used as installation guidance for any product. Further information is required to safely and correctly install the products featured here. Specific installation guidance will be available with the product on delivery and on our website fisherpaykel.com



Model no:	
DD60STX6I1	Series 11, Integrated Tall Single DishDrawer™ Dishwasher
DD60STX6HI1	Series 11, Integrated Tall Single DishDrawer™ Dishwasher
Shown with:	
ADDD60STNB	Black Stainless Steel Drawer Panel

Product Dimensions	mm
(A) Overall height of product	455
(B) Overall width of product	599
(C) Overall depth of chassis*	553
(D) Height of drawer panel	442
(E) Width of drawer panel	595
(F) Depth of drawer panel	20
(G) Maximum drawer opening	527
Minimum toe kick height**	100
Minimum toe kick depth**	60

Minimum Clearances	mm
Minimum inside height of cavity	457
Minimum inside width of cavity	600
Minimum overall depth of cavity	573
Minimum clearance to corner cupboard	13
Minimum clearance to adjacent cupboard door	2

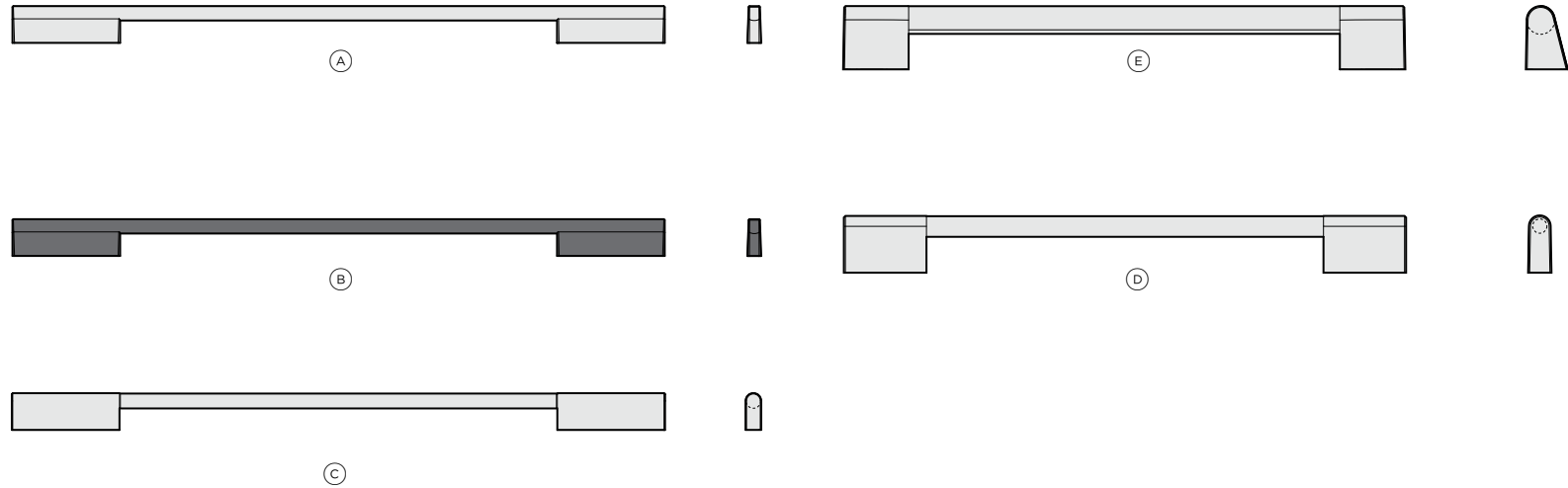
*Excluding drawer panels.
 **A minimum toe kick height of 100mm and depth of 60mm is required if venting through toe kick.

----- INDICATES CABINERY / PRODUCT DATUM
 - - - - - INDICATES CABINERY CLEARANCES
 - - - - - INDICATES CUTOUT

IMPORTANT NOTE: Throughout this guide, dimensions may vary by ±2mm (1/16"). Please read the installation manual for detailed information on installing the product. For full installation instructions & specifications visit fisherpaykel.com

The models shown in this Planning Guide may not be available in all markets and are subject to change at any time. Product specifications may vary from those shown. This Planning Guide should not be used as installation guidance for any product. Further information is required to safely and correctly install the products featured here. Specific installation guidance will be available with the product on delivery and on our website fisherpaykel.com

ACCESSORIES



Handle kits		
Style	Model	Finish
Ⓐ Contemporary square fine	AHD5-OBDD-60SX	Brushed aluminium
Ⓑ Contemporary square fine black	AHD5-OBDD-60SB	Brushed black aluminium
Ⓒ Contemporary round	AHS-OBDD-60S	Stainless steel
Ⓓ Professional round flush	AHP3-DWDD-60S	Stainless steel
Ⓔ Classic round	AHCL-DDDW-60X	Stainless steel

Note: Double Dishwasher requires two handle kits.

The models shown in this Planning Guide may not be available in all markets and are subject to change at any time. Product specifications may vary from those shown. This Planning Guide should not be used as installation guidance for any product. Further information is required to safely and correctly install the products featured here. Specific installation guidance will be available with the product on delivery and on our website fisherpaykel.com

PRE-FINISHED PANELS

Drawer panel

Brushed Stainless Steel - ADDD60STPX

Black Stainless Steel - ADDD60STPB

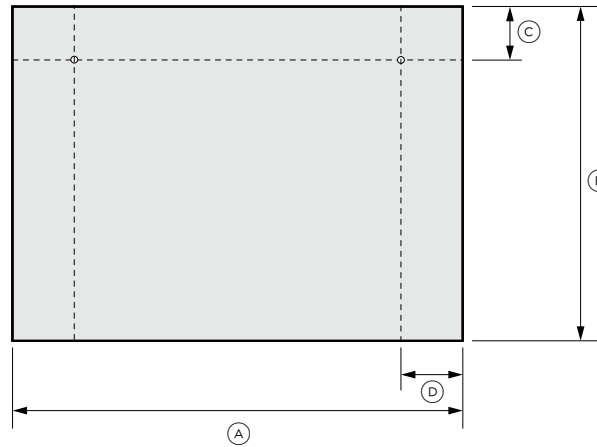
Drawer Panel with recessed handle

Matte black glass - ADDD60STZB

Brushed Stainless Steel - ADDD60STNX

Black Stainless Steel - ADDD60STNB

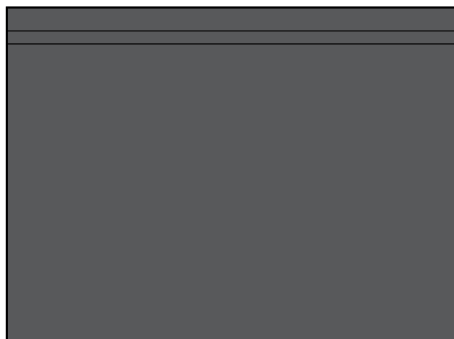
Panel Dimensions	mm
Ⓐ Width of panel	595
Ⓑ Height of panel	447
Ⓒ Handle fixing point from top of panel	72
Ⓓ Handle fixing point from side of panel	81.5
Ⓔ Recessed handle height	33
Panel depth	18



PRE-FINISHED PANEL ADDD60STPX
BRUSHED STAINLESS STEEL



PRE-FINISHED PANEL ADDD60STPB
BLACK STAINLESS STEEL



PRE-FINISHED PANEL WITH RECESSED HANDLE ADDD60STZB
MATTE BLACK GLASS



PRE-FINISHED PANEL WITH RECESSED HANDLE ADDD60STNX
BRUSHED STAINLESS STEEL



PRE-FINISHED PANEL WITH RECESSED HANDLE ADDD60STNB
BLACK STAINLESS STEEL

The models shown in this Planning Guide may not be available in all markets and are subject to change at any time. Product specifications may vary from those shown. This Planning Guide should not be used as installation guidance for any product. Further information is required to safely and correctly install the products featured here. Specific installation guidance will be available with the product on delivery and on our website fisherpaykel.com

PLANNING CONSIDERATIONS

PLANNING CONSIDERATIONS | CAVITY SPECIFICATIONS

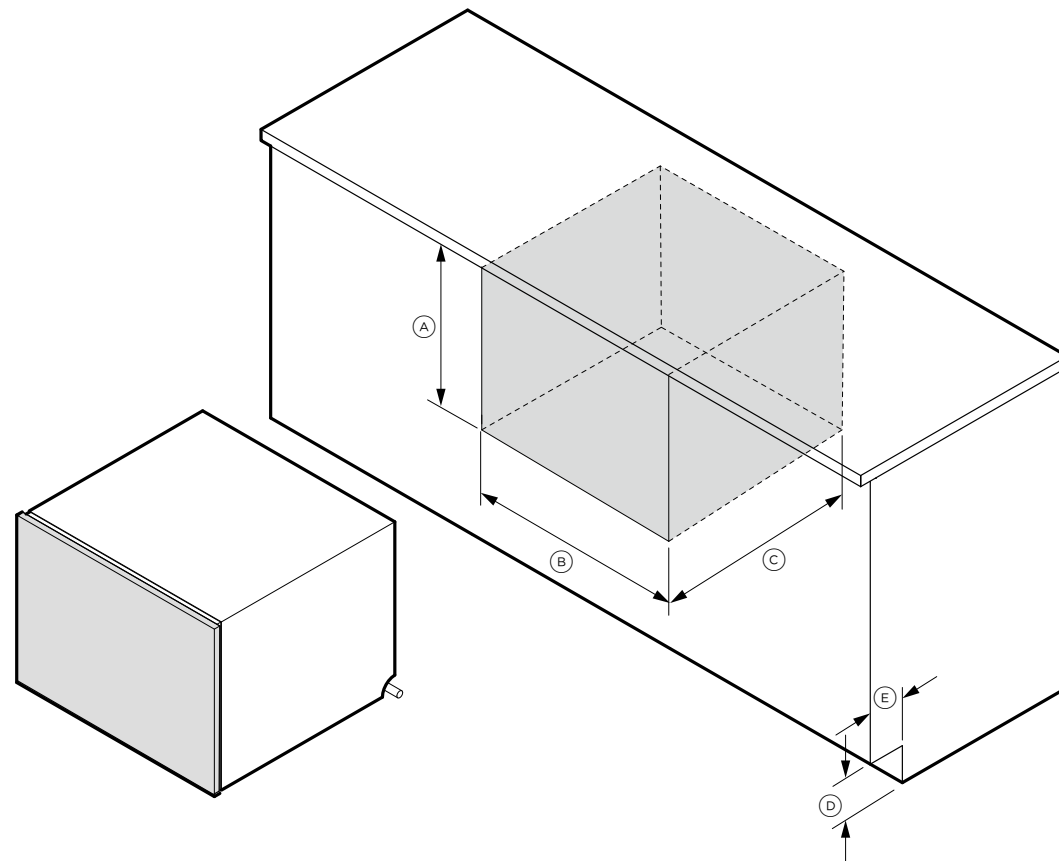
CAVITY SPECIFICATIONS

The cavity height will vary according to your cabinetry design.

Cavity Dimensions	mm
(A) Cavity minimum height	457
(B) Cavity width	600
(C) Minimum cavity depth*	578
(D) Minimum toe kick height**	100
(E) Minimum toe kick depth**	60

*Assumes 18mm door panels. Ensure there are no obstructions in the cavity if minimum cavity depth and width are specified.

**A minimum toe kick height of 100mm and depth of 60mm is required if venting through toe kick.



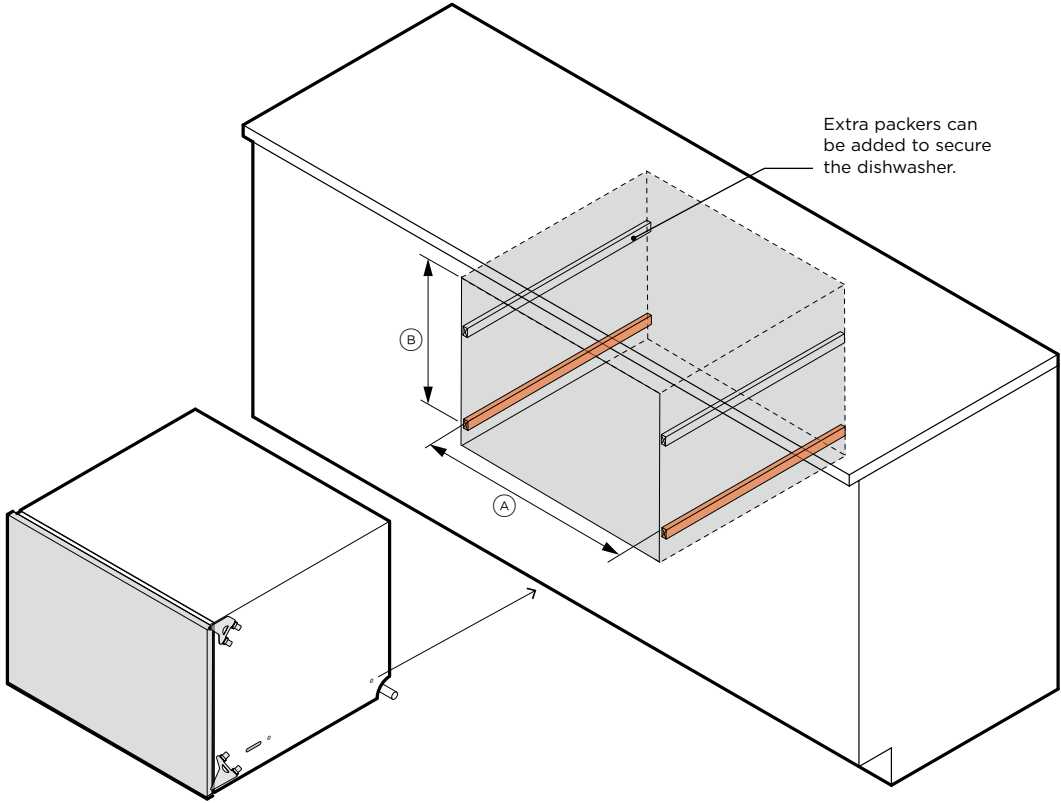
The models shown in this Planning Guide may not be available in all markets and are subject to change at any time. Product specifications may vary from those shown. This Planning Guide should not be used as installation guidance for any product. Further information is required to safely and correctly install the products featured here. Specific installation guidance will be available with the product on delivery and on our website [fisherpaykel.com](https://www.fisherpaykel.com)

CAVITY PACKING PLACEMENT

The dishwasher must be secured through chassis and into the cabinet sides. If the cavity is over width, packers must be installed to avoid bowing the chassis.

Side and top brackets may be installed and fixed to the edge of the cabinet.

Dimensions	mm
Ⓐ Width between spacers	600
Ⓑ Chassis center of fixing point from top of cavity	340



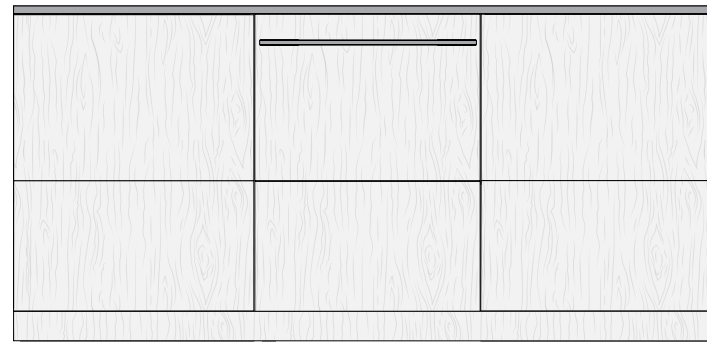
The models shown in this Planning Guide may not be available in all markets and are subject to change at any time. Product specifications may vary from those shown. This Planning Guide should not be used as installation guidance for any product. Further information is required to safely and correctly install the products featured here. Specific installation guidance will be available with the product on delivery and on our website fisherpaykel.com

PLANNING CONSIDERATIONS | CUSTOM PANELS

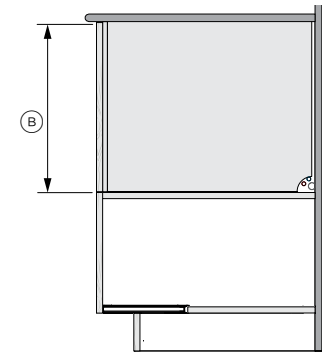
CUSTOM PANEL SPECIFICATIONS

Ensure that there are no obstructions under the counter top if the dishwasher is installed directly below.

Dimensions	mm
Ⓐ Minimum panel width	596
Ⓑ Minimum panel height	452
Ⓒ Minimum clearance gap between drawers	2
Maximum lower panel extension	50



FRONT VIEW
MINIMUM CAVITY HEIGHT WITH EXTENDED PANEL



SECTION VIEW

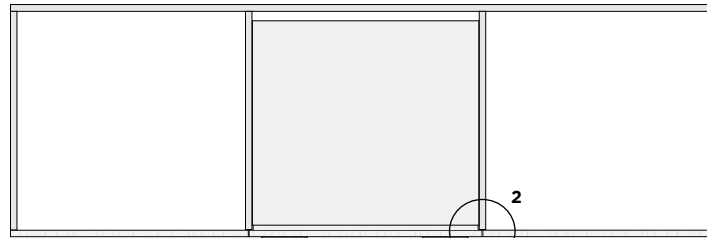
EXTENDING CUSTOM PANELS

Custom panels may need to extend to cover cabinet side walls or frames, or to create recessed handles.

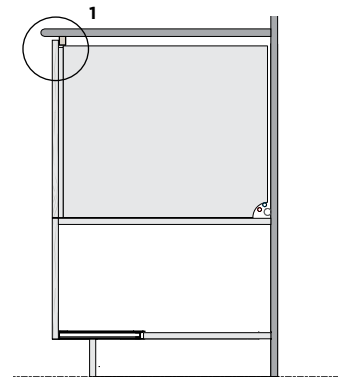
Make sure the dishwasher drawer can always close securely against the seals on the chassis.

The dishwasher drawers must seal properly when closed to prevent humidity escape and condensation, which can damage the custom panel.

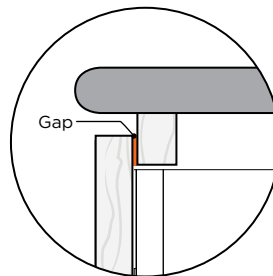
If the custom drawer panel contacts any cabinetry, the seal may be compromised, allowing humidity to escape and damage the drawer panels or cabinetry.



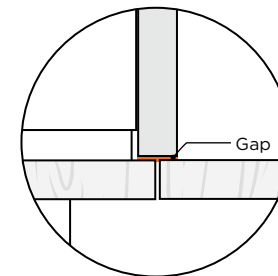
PLAN VIEW



SECTION VIEW



DETAIL 1



DETAIL 2

The models shown in this Planning Guide may not be available in all markets and are subject to change at any time. Product specifications may vary from those shown. This Planning Guide should not be used as installation guidance for any product. Further information is required to safely and correctly install the products featured here. Specific installation guidance will be available on our website fisherpaykel.com

PLANNING CONSIDERATIONS | DUAL INSTALLATION

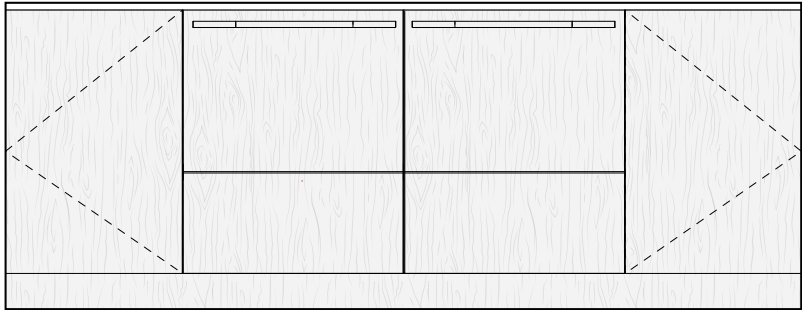
SIDE BY SIDE

The chassis is screwed to the cabinet side and requires a dividing panel between the dishwashers. Shorter screws may be required.

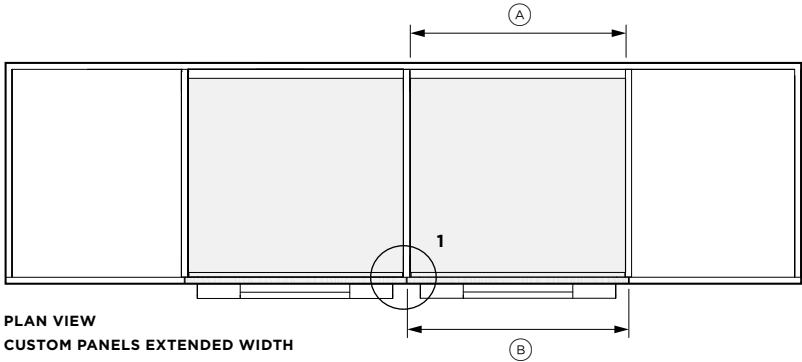
Dimensions	mm
Ⓐ Cavity width	600
Ⓑ Minimum custom panel width*	596
Ⓒ Pre-finished panel width	595

*Panel width depends on your cabinetry style, which may be overlay, framed, or standard.

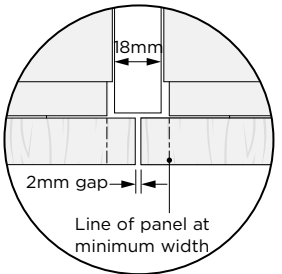
Ensure that there is a small gap between the custom panel and any cabinetry behind it to allow a good seal.



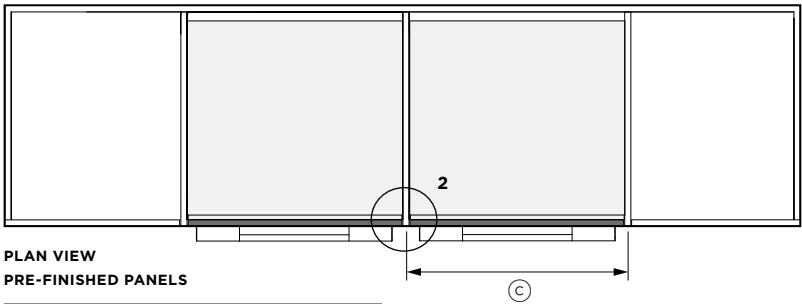
**FRONT VIEW
SIDE BY SIDE INSTALLATION**



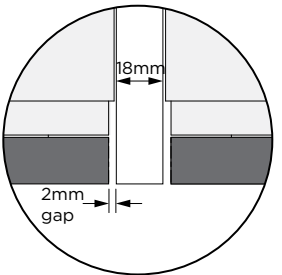
**PLAN VIEW
CUSTOM PANELS EXTENDED WIDTH**



**DETAIL 1
PANEL EXTENDED TO CENTER OF
CABINET DIVIDER**



**PLAN VIEW
PRE-FINISHED PANELS**



**DETAIL 2
SIDE BY SIDE CONFIGURATON
WITH PRE-FINISHED PANELS**

The models shown in this Planning Guide may not be available in all markets and are subject to change at any time. Product specifications may vary from those shown. This Planning Guide should not be used as installation guidance for any product. Further information is required to safely and correctly install the products featured here. Specific installation guidance will be available with the product on delivery and on our website fisherpaykel.com

PLANNING CONSIDERATIONS | COOLDRAWER™ AND DISHWASHER SIDE BY SIDE INSTALLATION

SIDE BY SIDE

For detailed Cooldrawer™ information refer to the Cooldrawer™ Planning Guide at fisherpaykel.com
 Classic handle kit shown for Cooldrawer (AHCLRD36S) and dishwasher (AHCL-DDDW-60X).

Other compatible handles:

Square fine aluminium

Cooldrawer AHD5RD36S and

Dishwasher AHD5-OBDD-60SX

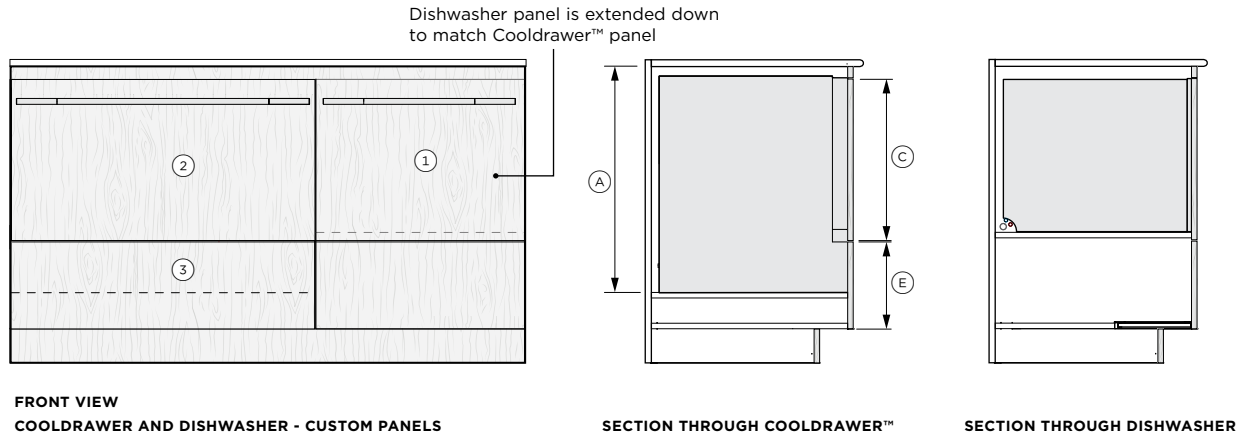
Square fine black

Cooldrawer AHD5RD36SB

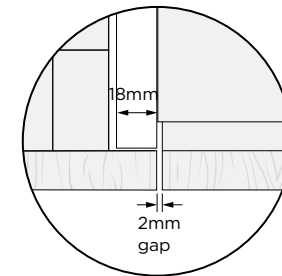
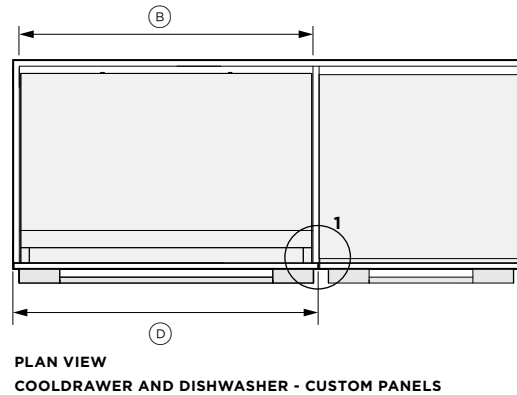
Dishwasher AHD5-OBDD-60SB

Cooldrawer™ Dimensions	mm
Ⓐ Cooldrawer™ minimum cavity height	665 - 764
Ⓑ Cooldrawer™ cavity width	864
Ⓒ Cooldrawer™ minimum panel height	min 476
Ⓓ Cooldrawer™ minimum panel width	896
Ⓔ Cooldrawer™ false panel height	150 - 180

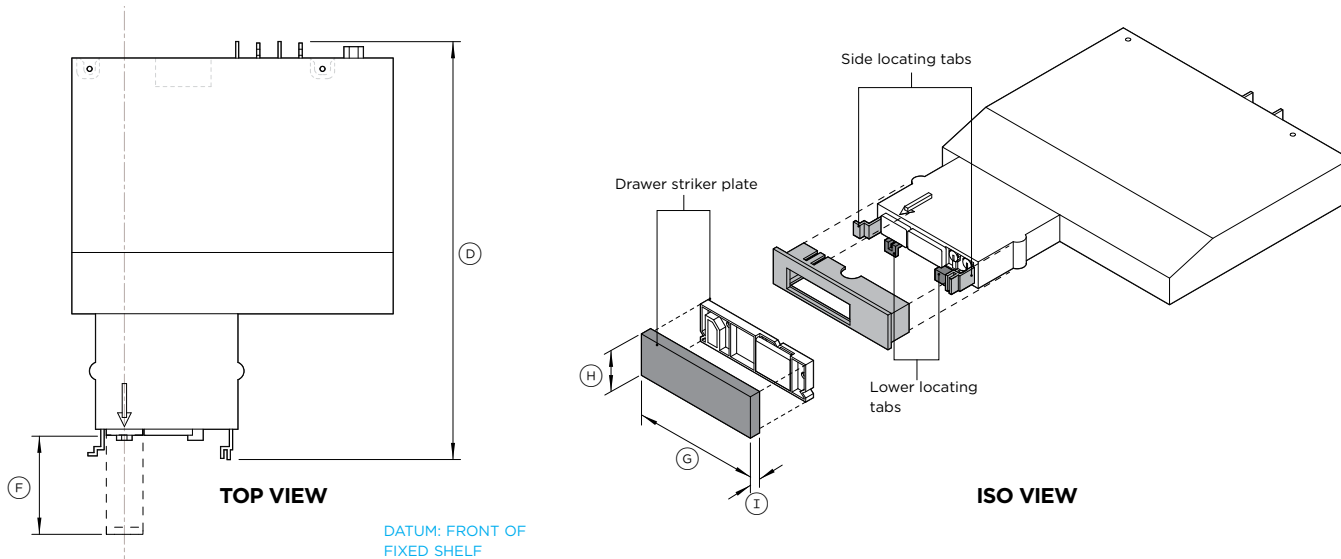
Note: Custom door panel and toe kicks to be manufactured and fitted by cabinetmaker.



① Dishwasher, ② Cooldrawer, ③ Cooldrawer false panel



ASSISTED OPENING ACCESSORY



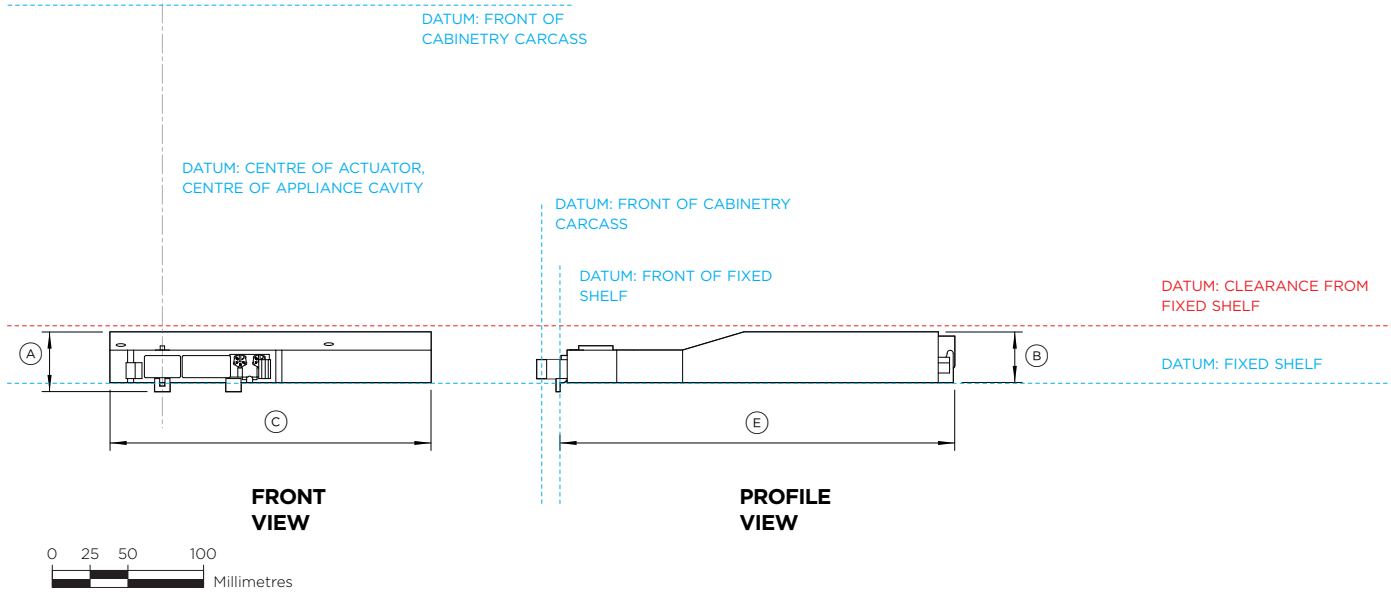
Model no: OPEX1 - Optional accessory for handleless knock-to-open or easy door opening.

OPEX1 DD60STX6 Assisted Opening Accessory - Main body with locating tabs
Series 11, Integrated Tall Single DishDrawer™ Dishwasher

Product Dimensions		mm
A	Overall height of main body including locating tabs	40
B	Height of main body excluding locating tabs	34
C	Overall width of main body	213
D	Overall length of main body including locating tabs	277
E	Length of main body excluding locating tabs (distance from fixed shelf datum to rear of main body)	261
F	Maximum actuator travel	64

Striker Plate Dimensions		mm
G	Overall length of striker plate	102
H	Overall height of striker plate	34
I	Overall thickness of striker plate	9

Minimum Clearances		mm
Minimum clearance height from bottom of product (fixed shelf datum)		57



----- INDICATES CABINETY / PRODUCT DATUM
 - - - - - INDICATES CABINETY CLEARANCES
 - - - - - INDICATES CUTOUT

IMPORTANT NOTE: Throughout this guide, dimensions may vary by ±2mm (1/16"). Please read the installation manual for detailed information on installing the product. For full installation instructions & specifications visit fisherpaykel.com

The models shown in this Planning Guide may not be available in all markets and are subject to change at any time. Product specifications may vary from those shown. This Planning Guide should not be used as installation guidance for any product. Further information is required to safely and correctly install the products featured here. Specific installation guidance will be available with the product on delivery and on our website fisherpaykel.com

CAVITY PACKING PLACEMENT

AOA must be located underneath appliance drawer for proximity to drawer runners. It is not recommended to position AOA above appliance.
 The assisted opening accessory cannot be used with pre-finished panels.

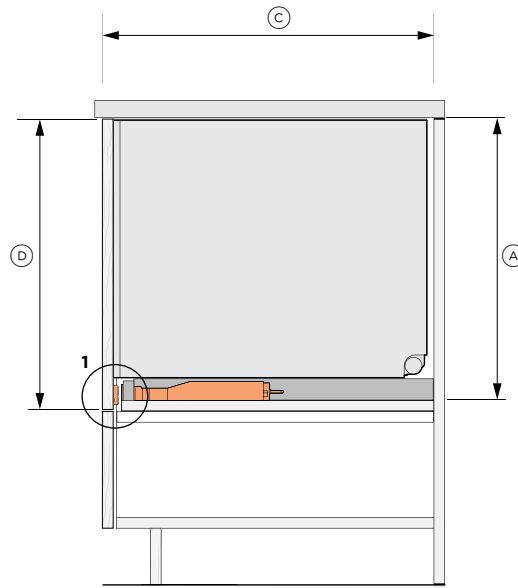
Symbol	Cavity Dimensions	mm
Ⓐ	Height of cavity*	min 513
Ⓑ	Cavity width	600
Ⓒ	Minimum cavity depth**	578
Ⓓ	Minimum panel height to cover AOA*	509
Ⓔ	Distance from back of custom drawer panel to lens cover	11
Ⓕ	Assisted opening accessory minimum cavity	38
Ⓖ	Bridge trim set back from front of fixed shelf	3

Symbol	Clearances	mm
	Clearance between back of custom panels and cabinetry	min 2
	Distance between striker plate and front of accessory	5

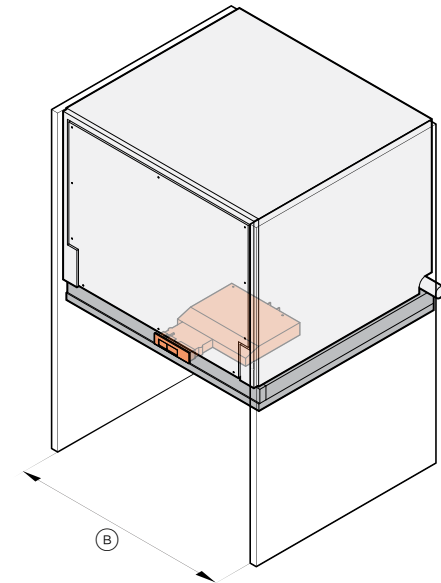
Symbol	Panel weight	kg
	Maximum weight of drawer panel	9

*A shelf may be placed over the AOA cavity, this will increase the overall cavity and panel height. Panel height must be measured to suit your cabinetry.

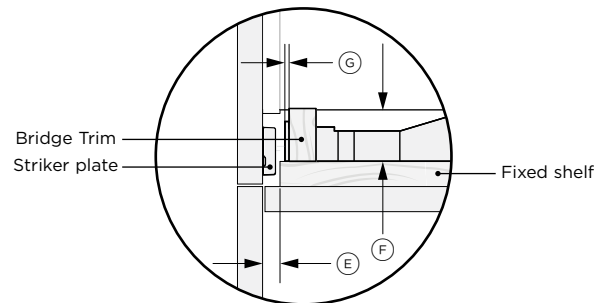
**Ensure there are no obstructions in the cavity if minimum cavity depth and width are specified. Assumes 18mm panels.



SECTION VIEW



ISOMETRIC



DETAIL 1

The models shown in this Planning Guide may not be available in all markets and are subject to change at any time. Product specifications may vary from those shown. This Planning Guide should not be used as installation guidance for any product. Further information is required to safely and correctly install the products featured here. Specific installation guidance will be available with the product on delivery and on our website fisherpaykel.com

CUSTOM DRAWER PANEL PREPARATION

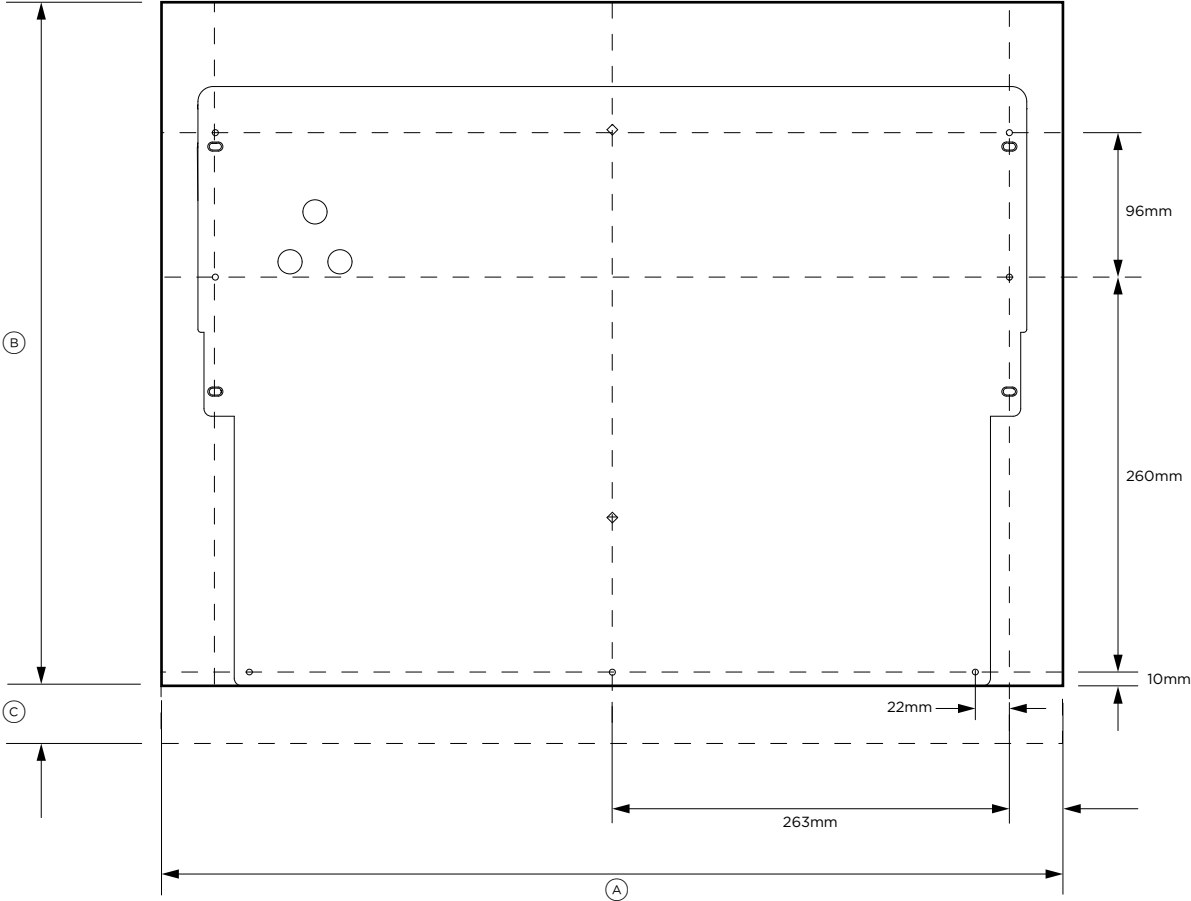
PLANNING CONSIDERATIONS | **CUSTOM PANEL DETAILS**

CUSTOM PANEL SPECIFICATIONS

Panel width will vary according to your cabinet specifications.

Custom drawer panel and toe kicks should be manufactured and fitted by a cabinetmaker.

Panel Dimensions	mm
Ⓐ Minimum panel width	596
Ⓑ Minimum panel height	452
Ⓒ Maximum panel extension at bottom	50mm
Minimum panel extension to cover assisted opening accessory	57mm
Maximum panel weight of drawer panel including handle	9kg



PANEL - BACK VIEW

The models shown in this Planning Guide may not be available in all markets and are subject to change at any time. Product specifications may vary from those shown. This Planning Guide should not be used as installation guidance for any product. Further information is required to safely and correctly install the products featured here. Specific installation guidance will be available with the product on delivery and on our website fisherpaykel.com

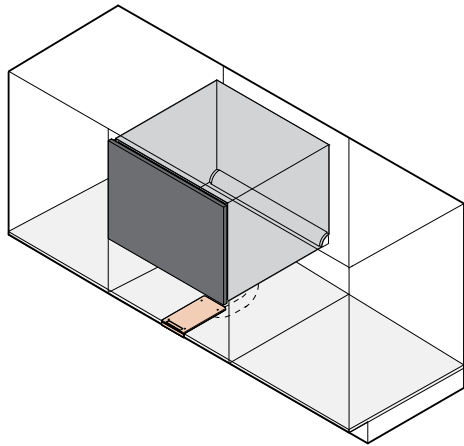
VENTING SPECIFICATIONS

PLANNING CONSIDERATIONS | VENTILATION OPTIONS

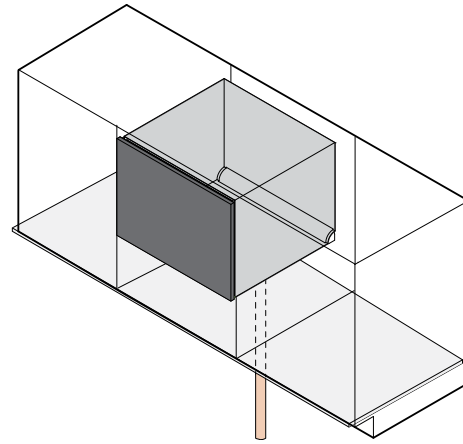
VENT HOSE

The vent hose may be coiled in the toe kick space, but ensure that there are no sharp bends or kinks.

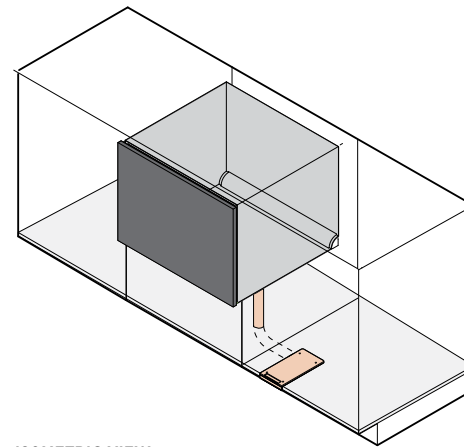
The minimum service hole size is 57mm in diameter.
The service hole closest to the dishwasher must be 538mm from the front of the DishDrawer, excluding panels, to avoid constricting or damaging the vent hose.



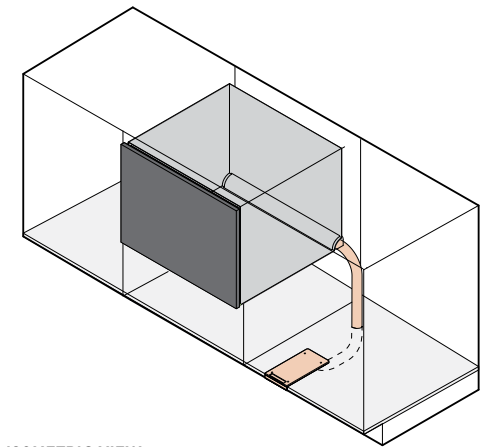
ISOMETRIC VIEW
VENT UNDER DISHWASHER



ISOMETRIC VIEW
VENTING UNDER FLOOR



ISOMETRIC VIEW
VENTING TO ADJACENT CABINET



ISOMETRIC VIEW
VENTING TO ADJACENT CABINET

VENT UNDER DISHWASHER

Route the vent hose below the dishwasher cavity. The duct can be installed under a drawer, provided there is a 60mm gap behind the drawer.

VENT HOSE UNDER FLOOR

The vent hose can be installed below the dishwasher cavity and through the floor into an open and ventilated area. The duct will not be required.

VENTING TO ADJACENT CABINET

Route the vent hose under the dishwasher and into the toe kick space. The hose can then be routed through the toe kick space and into the adjacent left or right toe kick.

VENTING TO ADJACENT CABINET

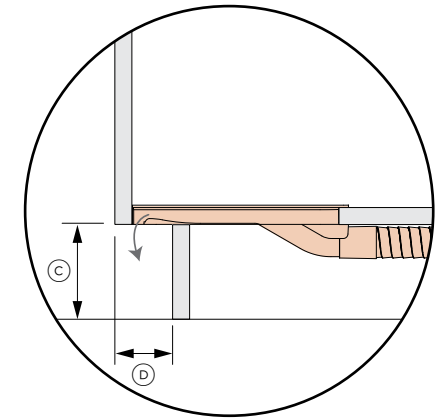
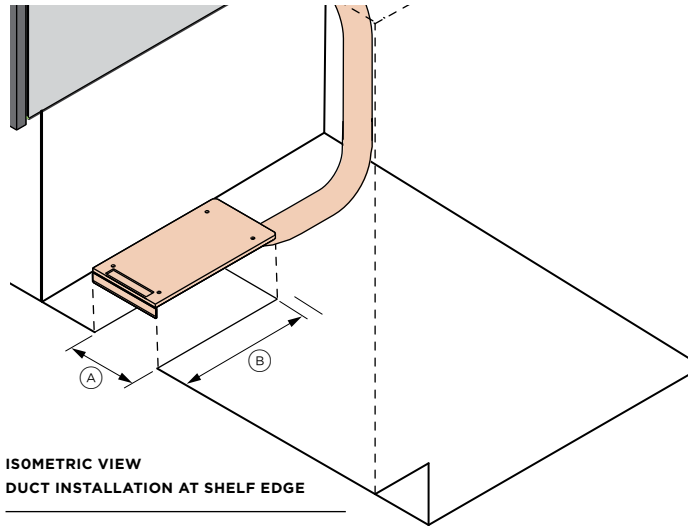
Route the vent hose through the side wall and into the toe kick space. To avoid constricting the vent hose, place the water inlet, drainage hose, and power in a separate cabinet space.

The models shown in this Planning Guide may not be available in all markets and are subject to change at any time. Product specifications may vary from those shown. This Planning Guide should not be used as installation guidance for any product. Further information is required to safely and correctly install the products featured here. Specific installation guidance will be available with the product on delivery and on our website fisherpaykel.com

PLANNING CONSIDERATIONS | DUCT PLACEMENT

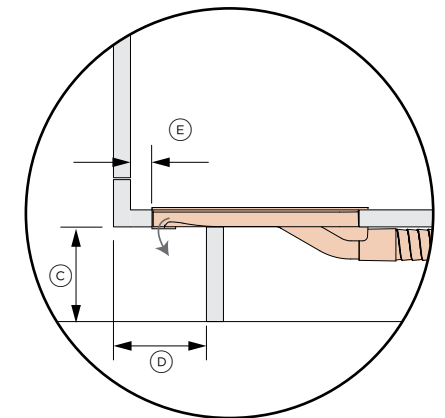
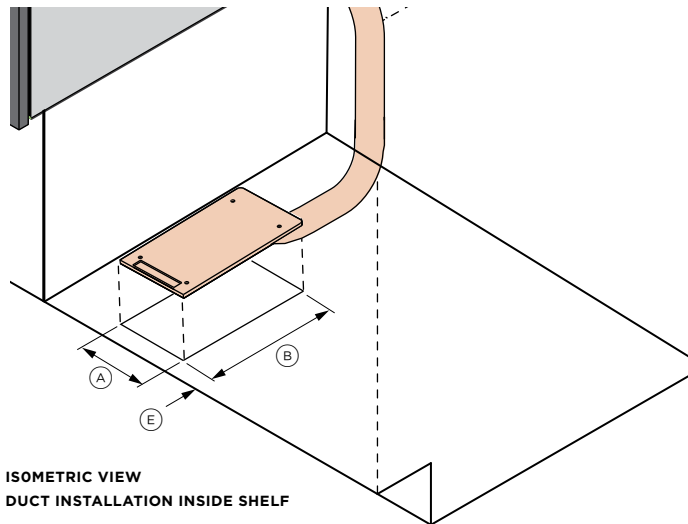
DUCT INSTALLATION AT SHELF EDGE

Dimensions	mm
(A) Duct cut out width	100
(B) Duct cut out length	220
(C) Minimum toe kick height	100
(D) Minimum toe kick depth	60



DUCT INSTALLATION INSIDE SHELF

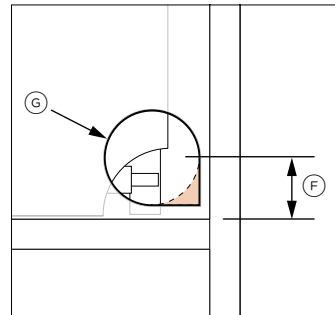
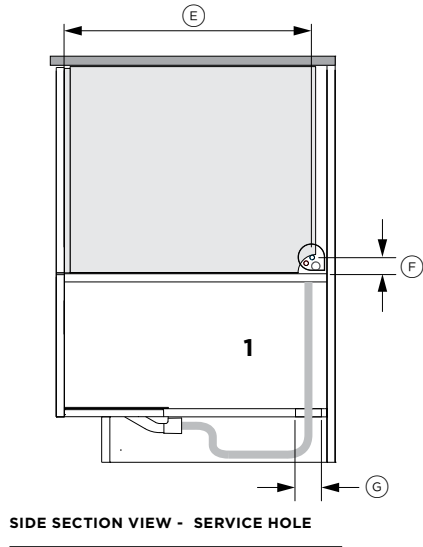
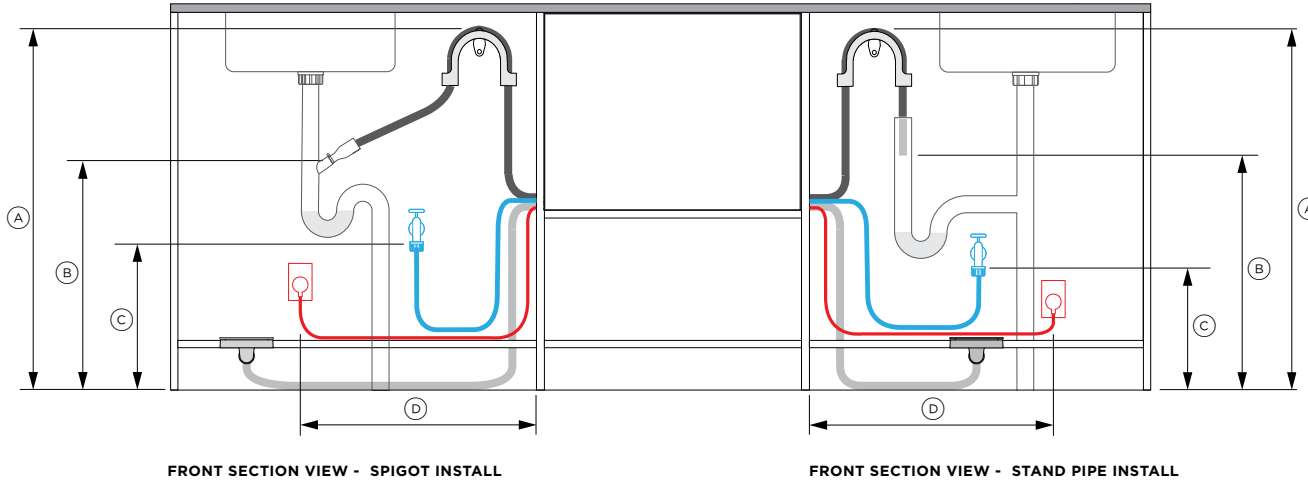
Dimensions	mm
(A) Duct cut out width	100
(B) Duct cut out length	220
(C) Minimum toe kick height	100
(D) Minimum toe kick depth	60
(E) Optimal distance to frame	25



The models shown in this Planning Guide may not be available in all markets and are subject to change at any time. Product specifications may vary from those shown. This Planning Guide should not be used as installation guidance for any product. Further information is required to safely and correctly install the products featured here. Specific installation guidance will be available with the product on delivery and on our website fisherpaykel.com

SERVICES

SERVICES | SERVICE SPECIFICATIONS

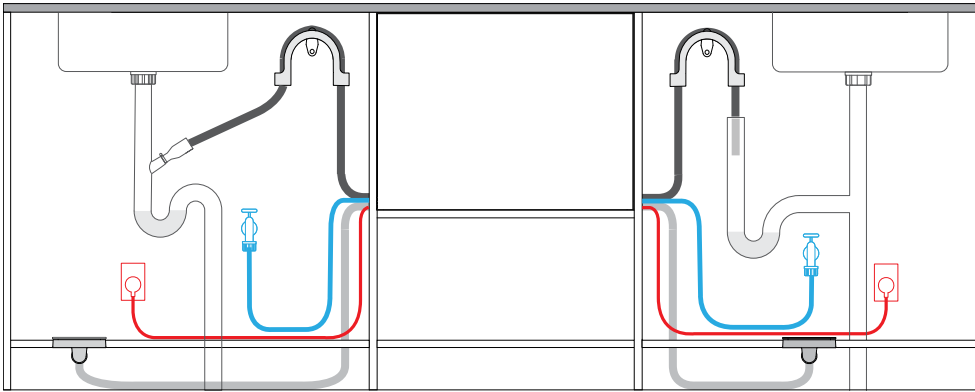


If venting vent hose is routed through the service hole, the corner must be cut out.

Service dimensions		mm
Ⓐ	Minimum distance from floor to top of hose support	750
Ⓑ	Minimum distance from floor to end of drain hoses*	500
Ⓒ	Minimum distance from floor to inlet hose connection	200
Ⓓ	Maximum distance from cabinetry to the centre of electrical outlet	450
*Distances are the same for standpipe and waste tee installation.		
Minimum service hole dimensions		mm
Ⓔ	Minimum distance between front of product* and center of service hole	538
Ⓕ	Minimum distance between top of chassis and center of service hole	38
Ⓖ	Minimum diameter of all service holes	57

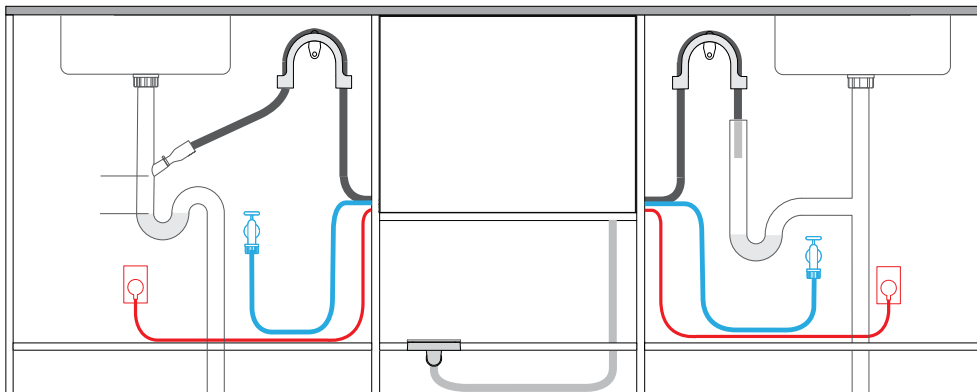
*Not including dishwasher panels

The models shown in this Planning Guide may not be available in all markets and are subject to change at any time. Product specifications may vary from those shown. This Planning Guide should not be used as installation guidance for any product. Further information is required to safely and correctly install the products featured here. Specific installation guidance will be available on our website fisherpaykel.com



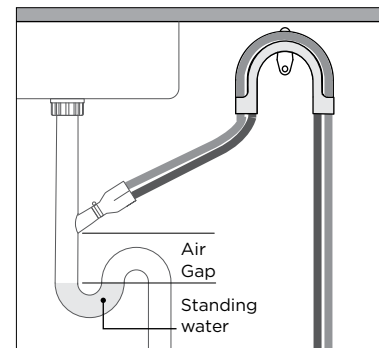
FRONT SECTION VIEW - VENT DUCT THROUGH TOE KICK

Services can be routed left or right into the adjacent cabinet. Drainage can be routed to a spigot or stand pipe.



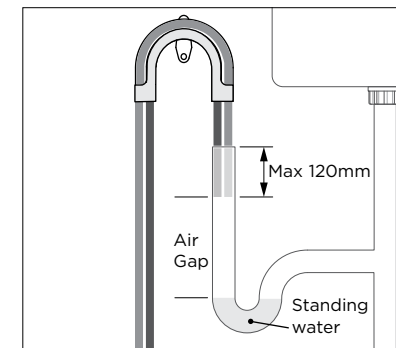
FRONT SECTION VIEW - VENT DUCT UNDER DISHWASHER

If venting under the dishwasher, the hose service hole must be large enough to rotate the vent pipe when the dishwasher is installed.



DETAIL VIEW - SPIGOT INSTALL

Spigot must be installed above the standing water with an air gap in between.



DETAIL VIEW - STAND PIPE INSTALL

Drain must be installed no more than 120mm into the stand pipe with an air gap between drain ends and standing water.

SERVICE REQUIREMENTS

The drain hose support should be placed as close to the underside of the counter top as possible.

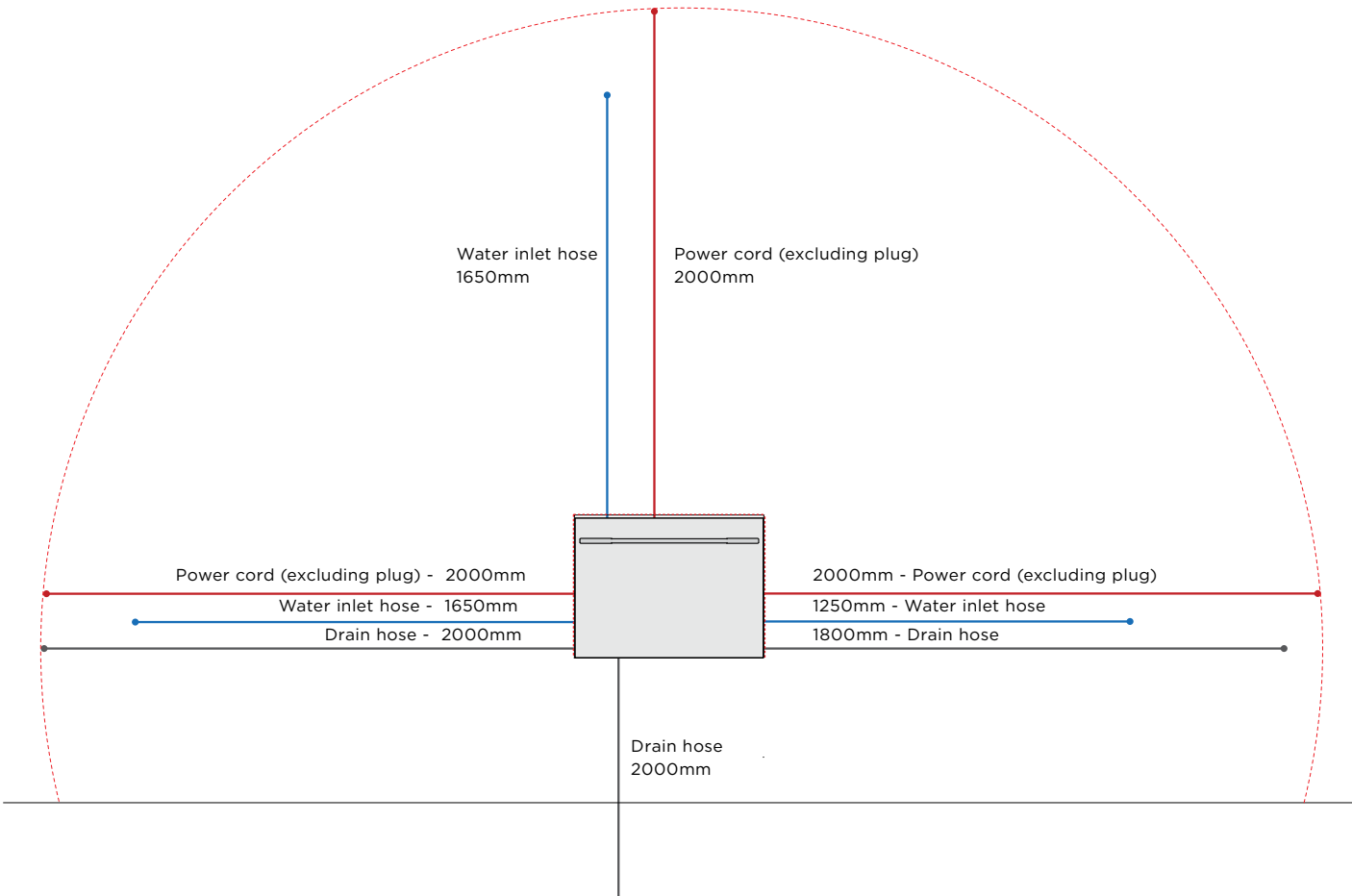
Drain hoses must be installed higher than standing water with an air gap between to avoid drainage issues. Hoses can be shortened to achieve the air gap.

Hoses must not extend into a standpipe more than 120mm

Drain pipes can be placed in a stand pipe or a waste tee.

Ensure that cabinet supports or other obstructions are not placed inside the cavity if the depth is minimum 578mm.

If the drain hoses supplied are not long enough to reach your services, a Fisher & Paykel drain hose extension kit is available which will extend the drain hoses by 3.6m (part number 525798).



Electrical and plumbing specifications

DD60STX6I1, DD60STX6H1

Electrical

Supply	220 - 240V
Service	Min 4.8A

Plumbing

Supply	3/4" BSP (GB20) to suit flat washer
Pressure	
Water softener model (DD60STX6H1)	Min. 0.1 MPa (14.5 psi) Max. 1 MPa (145 psi)
Non water softener model (DD60STX6I1)	Min. 0.03 MPa (4.3 psi) Max. 1 MPa (145 psi)
Recommended temperature	Cold (max 60°C)

Hose and cord lengths

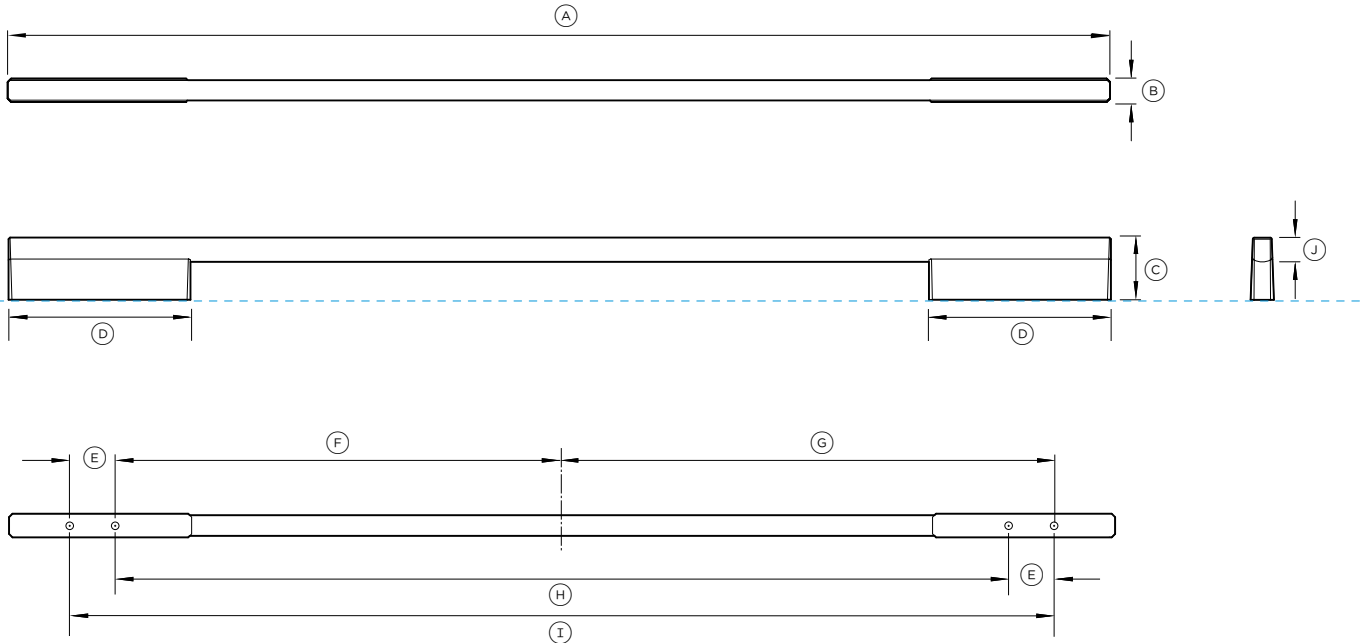
	mm
Drain hoses*	2000
Water inlet	1650
Power	2000

*The Fisher & Paykel 3.6m drain hose extension kit (part number 525798) is available for purchase from fisherpaykel.com

----- INDICATES CABINETRY / PRODUCT DATUM
 - - - - - INDICATES CABINETRY CLEARANCES
 - - - - - INDICATES CUTOUT

IMPORTANT NOTE: Throughout this guide, dimensions may vary by ±2mm (1/16"). Please read the installation manual for detailed information on installing the product. For full installation instructions & specifications visit fisherpaykel.com

DATA SHEETS: HANDLES



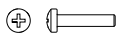
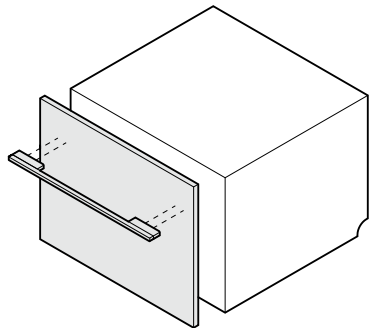
Model no:
 Square Fine Handle AHD5-OBDD-60SX
 Black Square Fine Handle AHD5-OBDD-60SB

Compatible with drawer panel kits:
 Square Fine Handle for Drawer Panel Kits ADDD60SPX, ADDD60STPX
 Black Square Fine Handle for Drawer Panel Kits ADDD60SPB, ADDD60STPB
 Custom Drawer Panels

Handle Dimensions	mm
A Overall length of handle	565
B Overall depth of handle	15
C Overall height of handle	41
D Length of off-stand	100
E Distance between attachment holes between each off-stand	32
F Distance from centreline to inner attachment holes	216
G Distance from centreline to outer attachment holes	248.5
H Distance between inner attachment holes	432
I Distance between outer attachment holes	497
J Thickness of handle rail	16

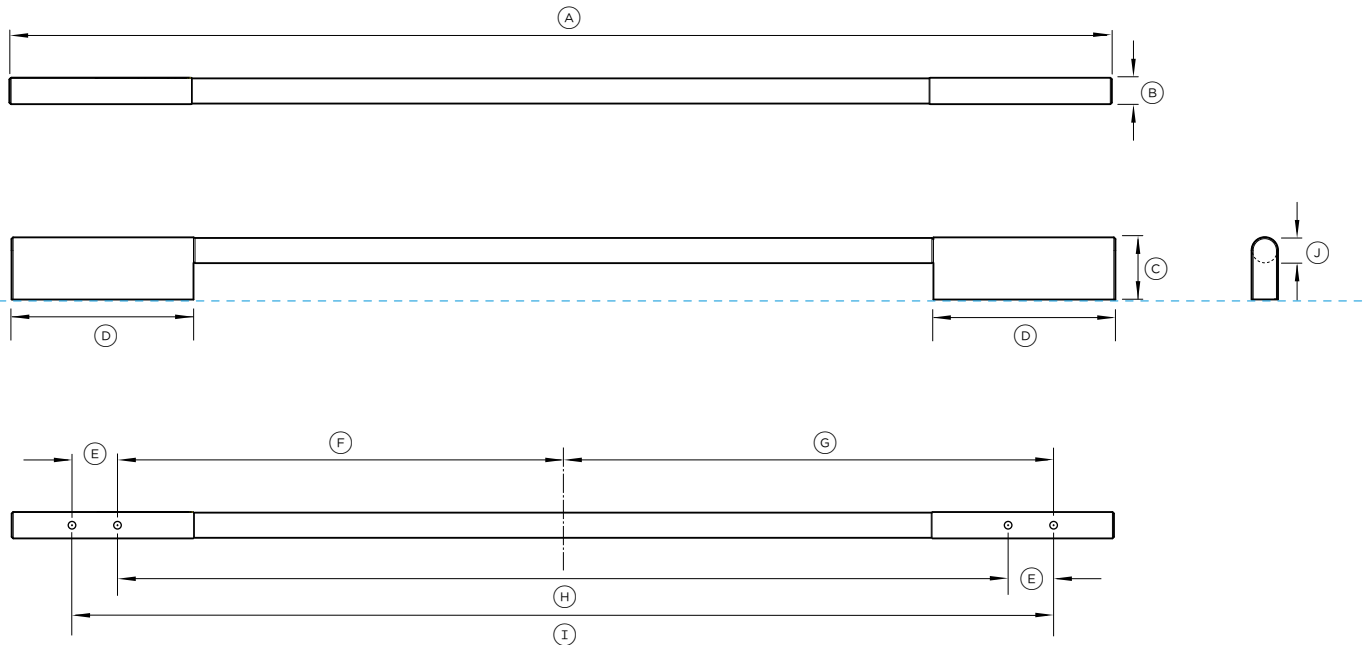
*Suits standard 19mm drawer panel. Thicker drawer panels may require counter boring or longer screws.

Note: Single Dishwasher requires one handle kit. Double Dishwasher requires two handle kits.



M6 X 25mm Pan Head Socket Screw (2 per handle)

IMPORTANT NOTE: Throughout this guide, dimensions may vary by ±2mm (1/16"). Please read the Installation Guide for detailed information on installing the product. For full installation instructions visit fisherpaykel.com



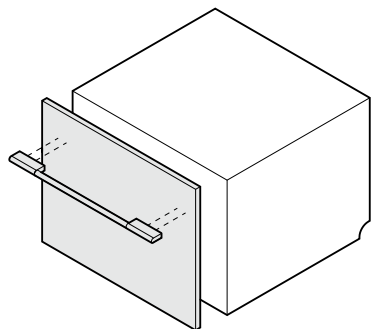
Model no:
Round Handle AHS-OBDD-60S

Compatible with drawer panel kits:
Round Handle for Drawer Panel Kits ADDD60SPX, ADDD60STPX
Custom Drawer Panels

Handle Dimensions	mm
A Overall length of handle	565
B Overall depth of handle	17
C Overall height of handle	41
D Length of off-stand	100
E Distance between attachment holes between each off-stand	32
F Distance from centreline to inner attachment holes	216
G Distance from centreline to outer attachment holes	248.5
H Distance between inner attachment holes	432
I Distance between outer attachment holes	497
J Thickness of handle rail	16

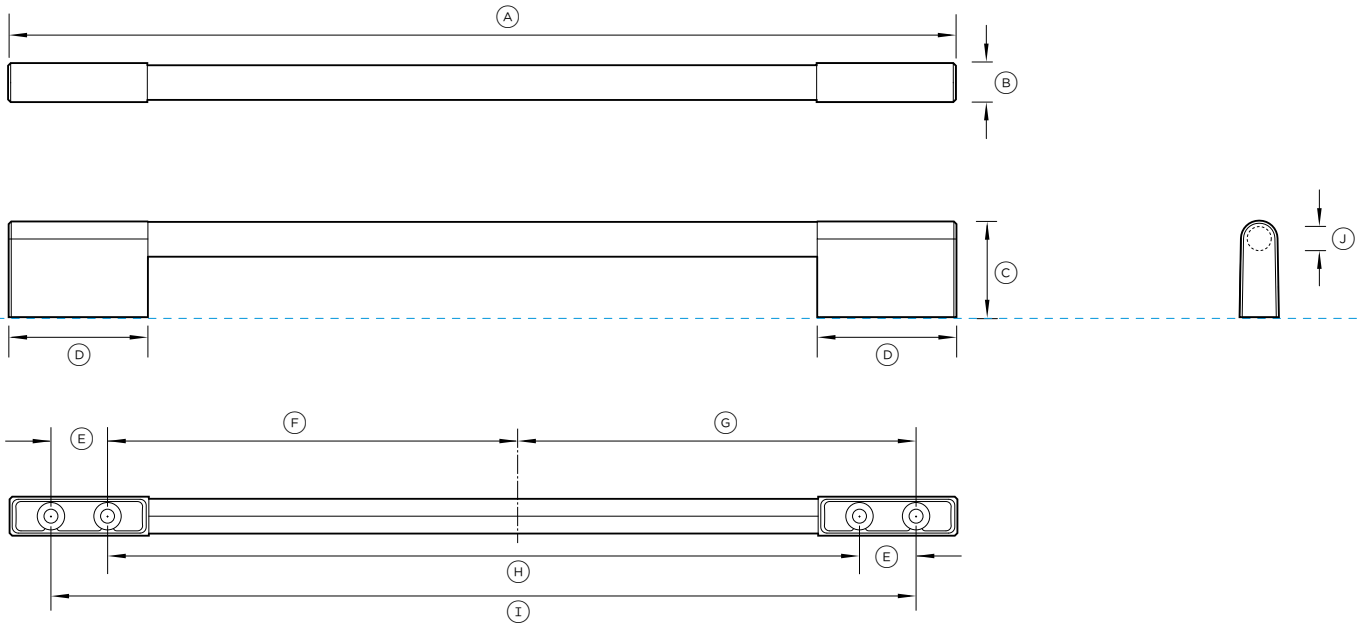
*Suits standard 19mm drawer panel. Thicker drawer panels may require counter boring or longer screws.

Note: Single Dishwasher requires one handle kit. Double Dishwasher requires two handle kits.



M6 X 25mm Pan Head Socket Screw (2 per handle)

IMPORTANT NOTE: Throughout this guide, dimensions may vary by ±2mm (1/16"). Please read the Installation Guide for detailed information on installing the product. For full installation instructions visit fisherpaykel.com



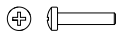
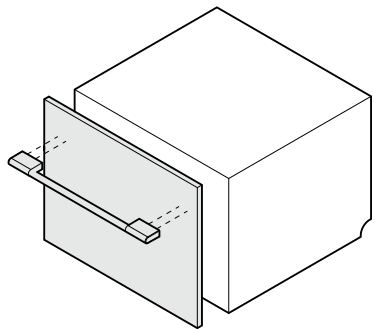
Model no:
Classic Round Handle AHCL-DDDW-60X

Compatible with drawer panel kits:
Classic Round Handle for Drawer Panel Kits ADDD60SPX, ADDD60STPX
Custom Drawer Panels

Handle Dimensions	mm
Ⓐ Overall length of handle	544
Ⓑ Overall depth of handle	22
Ⓒ Overall height of handle	55
Ⓓ Length of off-stand	80
Ⓔ Distance between attachment holes between each off-stand	32
Ⓕ Distance from centreline to inner attachment holes	216
Ⓖ Distance from centreline to outer attachment holes	248.5
Ⓜ Distance between inner attachment holes	432
Ⓨ Distance between outer attachment holes	497
Ⓩ Diameter of handle rail	20

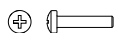
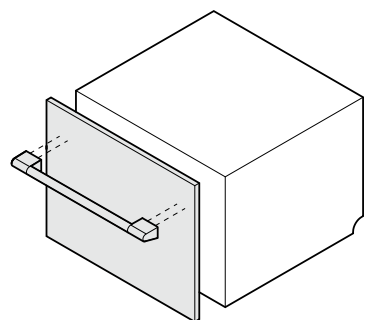
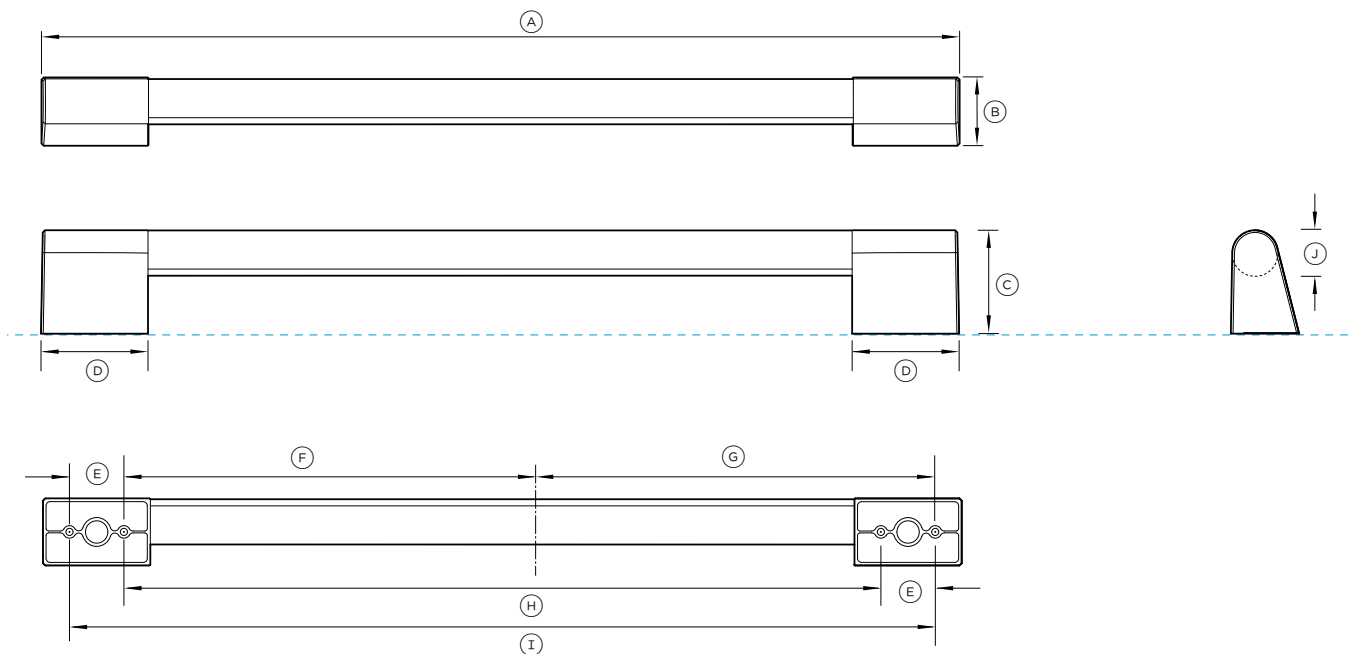
*Suits standard 19mm drawer panel. Thicker drawer panels may require counter boring or longer screws.

Note: Single Dishwasher requires one handle kit. Double Dishwasher requires two handle kits.



M6 X 25mm Pan Head Socket Screw (2 per handle)

IMPORTANT NOTE: Throughout this guide, dimensions may vary by ±2mm (1/16"). Please read the Installation Guide for detailed information on installing the product. For full installation instructions visit fisherpaykel.com



M6 X 25mm Pan Head Socket Screw (2 per handle)

Model no:
Professional Round Flush Handle AHP3-DWDD-60S

Compatible with drawer panel kits:
Professional Flush Handle for drawer Panel Kits ADDD60SPX, ADDD60STPX
Custom Drawer Panels

Handle Dimensions	mm
Ⓐ Overall length of handle	515
Ⓑ Overall depth of handle	38
Ⓒ Overall height of handle	58
Ⓓ Length of off-stand	60
Ⓔ Distance between attachment holes between each off-stand	32
Ⓕ Distance from centreline to inner attachment holes	216
Ⓖ Distance from centreline to outer attachment holes	248.5
Ⓗ Distance between inner attachment holes	432
Ⓘ Distance between outer attachment holes	497
⓵ Diameter of handle rail	25

*Suits standard 19mm drawer panel. Thicker drawer panels may require counter boring or longer screws.

Note: Single Dishwasher requires one handle kit. Double Dishwasher requires two handle kits.

IMPORTANT NOTE: Throughout this guide, dimensions may vary by ±2mm (1/16"). Please read the Installation Guide for detailed information on installing the product. For full installation instructions visit fisherpaykel.com

