

FISHER & PAYKEL

COFFEE MAKER

EB24MSB1 & EB24DSX1 models

INSTALLATION GUIDE

US CA

CONTENTS

Safety and warnings	4
Parts supplied	5
Prior to installation	5
After installation	5
Product dimensions	6
Cabinetry dimensions (18 1/8" (460mm) high cavity)	7
Installation instructions	8
Final checklist	9

IMPORTANT SAFETY INSTRUCTIONS!

Installation

⚠ WARNING!	
	<p>Cut Hazard Take care - some edges are sharp. Failure to use caution could result in injury or cuts.</p>

Checking for transport damage

After removing the packaging, make sure the product is complete and undamaged and that all accessories are present. Do not use the appliance if it is visibly damaged. Contact Customer Care.

IMPORTANT!

- Before connecting the appliance to the electrical supply make sure that the voltage and frequency listed on the data plate correspond with the household electrical supply. If in doubt, consult a qualified technician.
- The appliance must be properly installed before operation to ensure that no electrical components are accessible. Ensure that power is not supplied to the appliance while installation work, repairs or maintenance is performed.
- Be certain your appliance is properly installed and grounded by a qualified technician. To guarantee the electrical safety of this appliance, continuity must exist between the appliance and effective grounding system. It is imperative that this basic safety requirement be met. If there is any doubt, have the electrical system of the house checked by a qualified electrician. The manufacturer cannot be held responsible for damages caused by the lack, or inadequacy, of an effective grounding system.
- Do not use an extension cord to connect the appliance to electricity. Extension cord doesn't guarantee the required safety of the appliance (danger of overheating).
- Before service or maintenance disconnect the power supply by either switching off the main switch and unplugging the unit.
- Install or locate this appliance only in accordance with the provided installation instructions.
- Installation work and repairs must be only performed by a trained technician in accordance with national and local safety regulations. Repairs and other work by unauthorized persons could be dangerous and may void the warranty.
- Only use original spare parts. Only then can the manufacturer guarantee the safety of this machine.
- Never open the outer casing of the appliance. Tampering with electrical connections or components and mechanical parts is dangerous and may cause machine damage.
- If the machine is installed in combination with other appliances, a protective base should be installed between the appliance and the unit.
- Do not install or use outdoors even if installed in the display cabinet.

- To protect against fire, electric shock and injury to persons do not submerge the cord or plugs in water or other liquids.
- To reduce the risk of injury, do not drape cord over the counter top or table top where it can be pulled on by children or tripped over unintentionally.
- Do not let the cord hang over the edge of a table or counter, or touch hot surfaces.
- Do not operate any appliance with a damaged cord or plug, or after the appliance malfunctions or has been damaged in any manner.
- Return appliance to an authorized service facility for examination, repair or adjustment.
- To disconnect turn the machine off, switch off the main switch then remove the plug from the wall outlet.
- Do not allow children and animals to stop or linger near the appliance when it is pulled out of the cabinet.
- Do not leave the machine pulled out of the cabinet when it is being used.
- Do not leave the machine pulled out of the cabinet when it is not needed.
- Install the machine according to the instructions in the handbook to guarantee there are no spills when it is pulled out from the cabinet.
- The rails fixing panel must have a thickness suited to the fixing screws supplied standard.
- The panel material must be suited to the machine weight of approximately 55lb.

IMPORTANT!
SAVE THESE INSTRUCTIONS

PARTS SUPPLIED

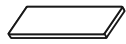


Screws
(28)

Rails (2)



Clip (1)

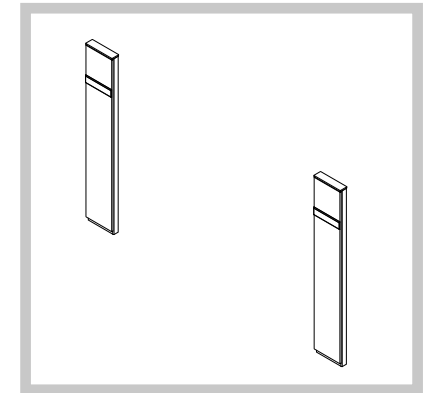


Spacers
(4) for side
(4) for bottom

PRIOR TO INSTALLATION

- The countertop and coffee maker cavity are square and level, and are the required dimensions.
- The installation will comply with all clearance requirements and applicable standards and regulations.
- The isolating switch will be easily accessible to the customer with the coffee maker installed.
- The electrician provides sufficient free length of power supply cable to reach from the bottom rear of the cavity to at least 59 1/16" (1.5m) in front of the bottom edge of the opening.
- The cable may enter the cavity from the side, top or bottom, but top entry must be at the rear of the cavity.
- The coffee maker connection socket (if fitted) is outside the cavity if the oven is flush to the rear wall.
- The coffee maker will rest on a surface that can support its weight.
- The height from the floor suits the customer.
- You consult local building authorities and by-laws if in doubt regarding installation.

Some environmental factors and cooking habits can cause condensation in and around the coffee maker during use. To protect surrounding cabinetry from possible damage caused by frequent or excessive condensation, we recommend moisture-proofing the cavity.



Optional Trim kit installation
If you are using a 30" (762mm) trim kit, refer to the separate Trim Kit Installation Guide.

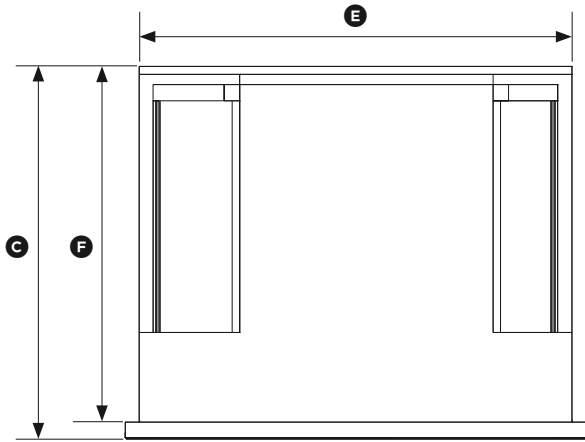
AFTER INSTALLATION

IMPORTANT!

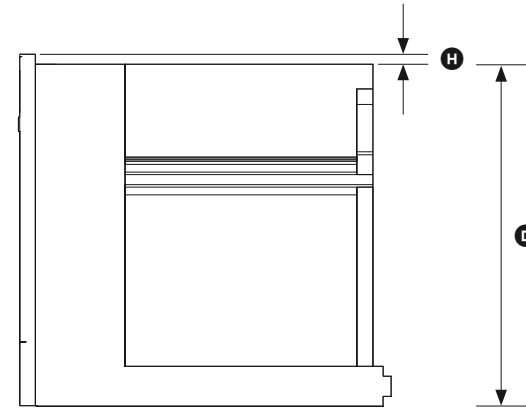
Take extra care not to damage the lower trim of the coffee maker during installation. The trim is important for correct air circulation and allows the door to open and close without obstruction. The manufacturer does not accept any responsibility for damage resulting from incorrect installation.

- The coffee maker can be used fully without obstruction.
- The power supply cable does not touch any hot metal parts.
- The isolating switch is easily accessible to the customer with the coffee maker installed.
- You complete the 'Final checklist' at the end of the installation.
- If, after following the instructions given, correct performance cannot be achieved, please contact your nearest Fisher & Paykel Authorized Service Center, Customer Care, or contact us through our local website listed at the end of this document.

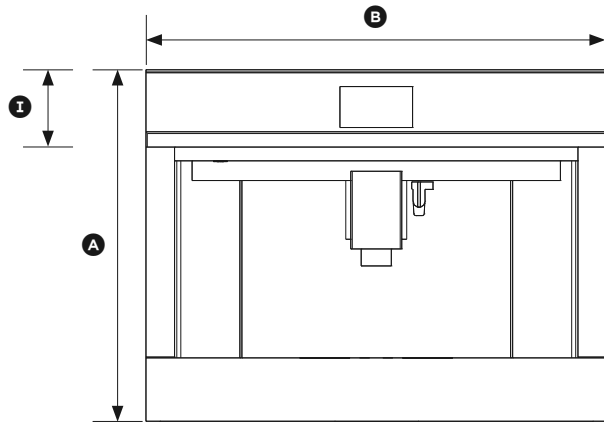
PRODUCT DIMENSIONS



TOP



SIDE



FRONT

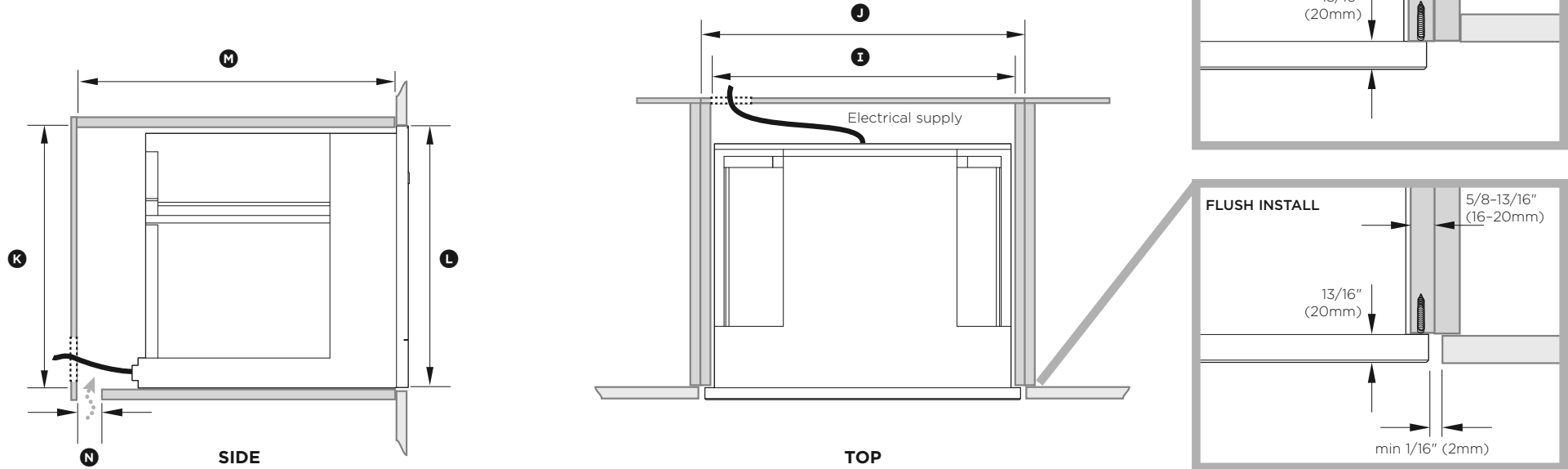
PRODUCT DIMENSIONS	EB24 MODELS
	inches (mm)
(A) Overall height of product	18" (458)
(B) Overall width of product	23 1/2" (596)
(C) Overall depth of product (excluding dials)	18 7/8" (480)
(D) Height of chassis	17 1/2" (445)
(E) Width of chassis	22 1/16" (560)
(F) Depth of chassis	18 1/8" (460)
(G) Depth of coffee maker frame and control panel	13/16" (20)
(H) Stepdown control panel to chassis	1/2" (13)
(I) Height of control panel	4" (100)

CABINETY DIMENSIONS (18 1/8" (460mm) HIGH CAVITY)

Verify the minimum measurements required for correct installation of the appliance. The coffee maker must be installed in a column and the column must be firmly fixed to the wall with commercially available brackets.

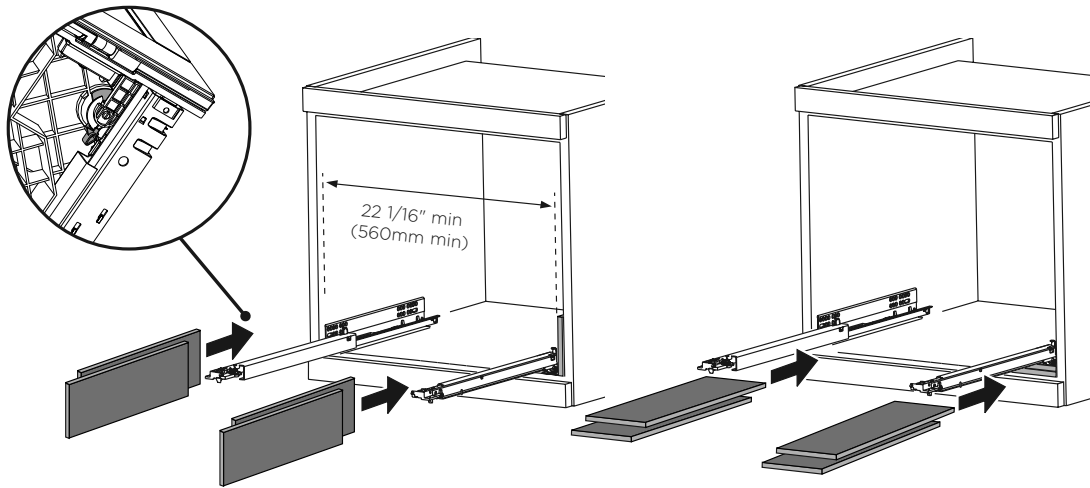
IMPORTANT!

- All installation or maintenance operations must be performed with the appliance disconnected from the mains electricity supply.
- To guarantee correct ventilation, leave a gap at the bottom of the cabinet (see measurements below).

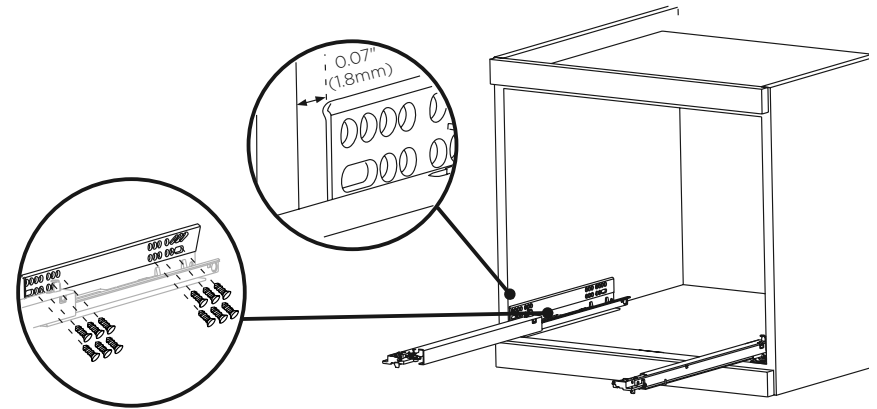


CABINETY DIMENSIONS	EB24 MODELS
	inches (mm)
ⓐ Minimum inside width of cavity	22 1/16" (560)
ⓑ Overall width of cabinetry	23 5/8" (600)
ⓒ Minimum inside height of cavity	17 3/4" (450)
ⓓ Overall height of cabinetry	18 1/8" (460)
ⓔ Minimum inside depth of cavity	21 7/16" (545)
ⓕ Ventilation Air Gap	2" (50)

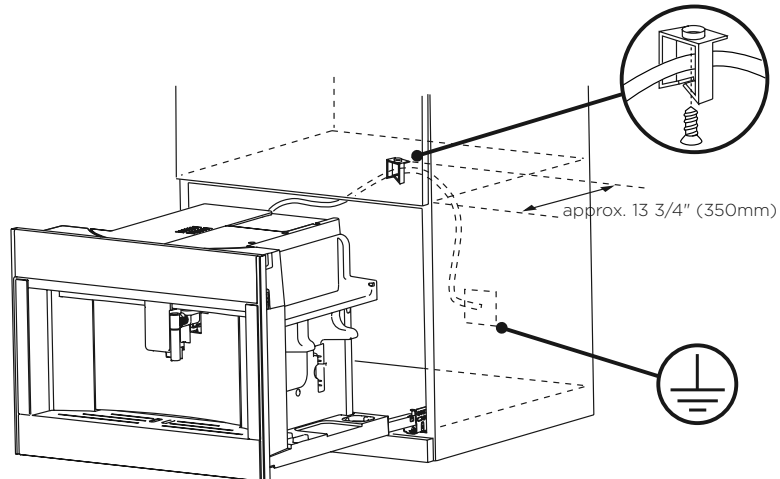
INSTALLATION INSTRUCTIONS



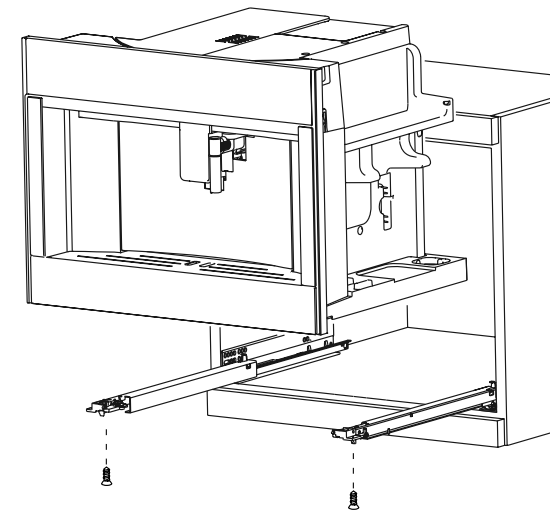
- ① If required, the alignment of the coffee maker can be adjusted by placing the supplied spacers either under or to the sides of the rails.
- ② To adjust the height of the coffee maker front by $\pm 2\text{mm}$, rotate the lever located where the coffee maker and rails meet.



- ③ Align the rails to the sides of the cabinet before securing using the provided screws. Extending both rails fully.
 - If the coffee maker is installed over a warmer drawer, use the top surface of this as a reference to position the rails.
 - In this case, there will be no surface to rest the rails on.



- ④ Fix the power cable with the clip. The power cable must be long enough to allow the appliance to be extracted from the cabinet to fill the coffee bean container.
 - The appliance must be earthed in compliance with legislation.
 - Electrical connections must be performed by a qualified electrician following the instructions.



- ⑤ Position the appliance on the rails, making sure the pins are correctly inserted in the housings, then fix it with the screws supplied. If the height of the appliance requires adjusting, use the spacer disks provided.

FINAL CHECKLIST

✓ **TO BE COMPLETED BY THE INSTALLER**

- Make sure the coffee maker is level and securely fitted to the cabinetry.
- Check the lower trim is undamaged.
- Check there is adequate clearance. This is to ensure correct air circulation.
- Make sure any cable ties and internal packaging has been removed from the coffee maker cavity.
- Make sure all coffee maker vents and openings are clear and free of any obstruction or damage.

IMPORTANT!

Failure to make sure all vents are clear may result in poor product performance.

- Make sure the isolating switch is accessible by the customer.

TEST OPERATION:

- Turn the power to the coffee maker on. The display should light up.
- Have you demonstrated the basic operation to the customer?
- Fill the water tank to the indicated level.

Complete and keep for safe reference:

Model _____

Serial No. _____

Purchase Date _____

Purchaser _____

Dealer Address _____

Installer's Name _____

Installer's Signature _____

Installation Company _____

Installation Date _____

FISHERPAYKEL.COM

© Fisher & Paykel Appliances 2022. All rights reserved.

The models shown in this guide may not be available in all markets
and are subject to change at any time.

The product specifications in this guide apply to the specific products and
models described at the date of issue. Under our policy of continuous product
improvement, these specifications may change at any time.

For current details about model and specification availability in your country,
please go to our website or contact your local Fisher & Paykel dealer.

592865A 02.23