

FISHER & PAYKEL

DOWNDRAFT INDUCTION COOKTOP

MINIMAL

CID834DTB4

INSTALLATION GUIDE

NZ AU UK IE SG

⚠ WARNING!



Electric Shock Hazard

Failure to follow this advice may result in electric shock or death.

- Disconnect the appliance from the mains electricity supply before carrying out any work or maintenance.
- Connection to a good earth wiring system is essential and mandatory.
- Alterations to the domestic wiring system must only be made by a qualified electrician.

⚠ WARNING!



Cut Hazard

Failure to use caution could result in injury.

- Take care: some edges are sharp.

READ AND SAVE THIS GUIDE

General Use

- Read these instructions carefully before installing this product.
- Save these instructions for the local electrical inspector's use.
- Installation must comply with your local building and local electricity regulations.
- This appliance is to be installed and serviced only by Fisher & Paykel trained and supported service technician or qualified person.
- The manufacturer accepts no responsibility for the incorrect installation of appliances. Incorrect installation may result in personal injury, damage to property and may invalidate any warranty or liability claims.
- Do not modify this appliance.
- Do not use or store flammable materials on or near this appliance.
- Packing elements (eg plastic bags, polystyrene foam, staples, packing straps etc) and tools should not be left around during and after installation, especially if they are within easy reach of children, as these may cause serious injuries.
- Make sure you recycle the packaging material.
- Before disposing of any appliance, make sure that it can no longer be used and that all hazardous parts are removed or made harmless, so that children playing with the old appliance cannot harm themselves.
- Only genuine replacement parts may be used for servicing the appliance. These are available from your nearest Fisher & Paykel Service Center.
- This cooktop must be connected to the mains power supply only by a suitably qualified person.
- DO NOT use adapters, reducers, or branching devices when connecting the cooktop to the mains power supply to prevent overheating and fire.
- The power supply cable must not touch any hot parts and must be positioned so that its temperature will not exceed 75 °C at any point.
- **CAUTION:** This appliance is not intended to be used with gas hobs.

WARNING!

To prevent overheating of the electronic components adequate supply of cool air and direct unrestricted ventilation to the room is required. A gap of min. 4mm height over the width of the cooktop chassis is required to allow the internal ventilators operating unrestricted. (Refer to 'Clearances'.)

SAVE THESE INSTRUCTIONS

The models shown in this installation guide may not be available in all markets and are subject to change at any time. For current details about model and specification availability in your country, please go to our website www.fisherpaykel.com or contact your local Fisher & Paykel dealer.

INSTALLATION CONSIDERATIONS

BEFORE INSTALLATION

Please ensure the following:

- A suitable disconnection switch is incorporated in the permanent wiring, mounted and positioned to comply with the local wiring rules and regulations. A means of disconnection with at least a 3mm air gap contact separation in all poles must be incorporated into the fixed wiring in accordance with the wiring rules, unless the local wiring rules allow for alternative means.
- The benchtop is made of a heat resistant material.
- There is adequate flow of cool air from the cabinetry to the base of the cooktop. You may ventilate from adjacent cupboards, but ensure that the available air supply will not be restricted.
- The ventilation area must be equivalent to 40cm² Refer to 'Clearances'.
- The power supply cable is not accessible through cupboard doors or drawers.
- The isolating switch is easily accessible by the customer.
- You use heat-resistant and easy-to-clean finishes (such as ceramic tiles) for the wall surfaces surrounding the cooktop.
- The cooktop will not be installed directly above a dishwasher, fridge, freezer, steam oven, washing machine or clothes dryer, as the humidity may damage the cooktop electronics.
- The installation will comply with all regulations relating to the discharge of air, clearance requirements and other applicable standards and regulations.
- You consult local building authorities and by-laws if in doubt regarding installation.
- The installation will comply with all regulations relating to the discharge of air.

DURING INSTALLATION

Please ensure the following:

- Flush mounting or sealing this appliance into the bench with silicone or glue may make future servicing difficult. Fisher & Paykel will not be liable for any costs associated with removing or replacing a sealed-in appliance, nor for repairing any damage that may be incurred by doing this.
- Seal exposed bare edges of the cutout with an oil-based paint or moisture-proof polyurethane to prevent possible moisture creeping between the cooktop trim and the benchtop.
- Take extreme care not to chip, crack, or break the top glass surfaces during installation. A heavy metal tool or part accidentally dropped on the glass could damage it.
- If, after following the instructions given, correct performance cannot be achieved, please contact your nearest Fisher & Paykel Authorised Service Centre, Customer Care, or contact us through our local website listed at the end of this document.

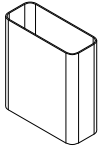
WARNING!

The owner carries all risk for flush mounting the cooktop. The owner must ensure the cooktop has been cut out from the countertop before servicing can be carried out. Fisher & Paykel will not be liable for any costs associated with removing or replacing a flush-mounted and/or sealed-in product, nor for repairing any damage that may be incurred by doing this.

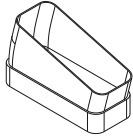
TOOLS AND COMPONENTS

PARTS SUPPLIED

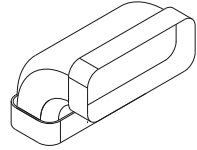
- Keep all packing materials until the unit has been inspected.
- Inspect the product to ensure there is no shipping damage. If any damage is detected contact the dealer or retailer you bought the product from to report the damage.
- Fisher & Paykel is not responsible for shipping damage.



500mm straight ducting: 222 x 89 (1)



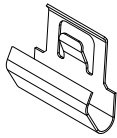
15° bends (4)



90° vertical elbow (2)

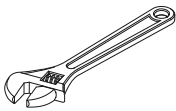


Foam tape (1)

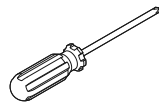


Side clips (4)

COMPONENTS REQUIRED



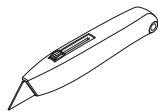
Wrench



Crosshead screwdriver



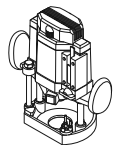
Silicone



Cutter



Hex key



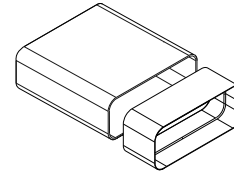
Router



Duct tape

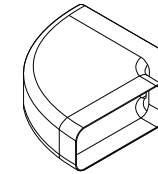
OPTIONAL ACCESSORY KITS

- Product can be vented to an external wall at the rear using supplied components**. The below accessory kits can be purchased separately to expand venting options.
- To purchase accessory kits, visit fisherpaykel.com



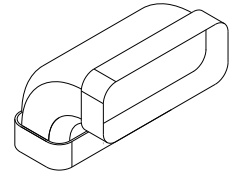
82389: D1-C-222-89

- 1m ducting*
- 222 x 89 connector



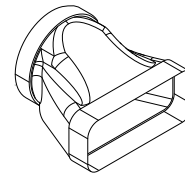
82390: E90-H-222-89

- 90° horizontal elbow



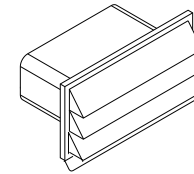
82391: E90-V-222-89

- 90° vertical elbow



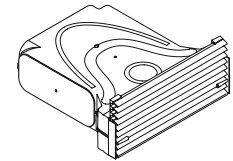
82392: DA-219-98-150

- Adapter



82393: DO-G-SS

- Stainless steel grille

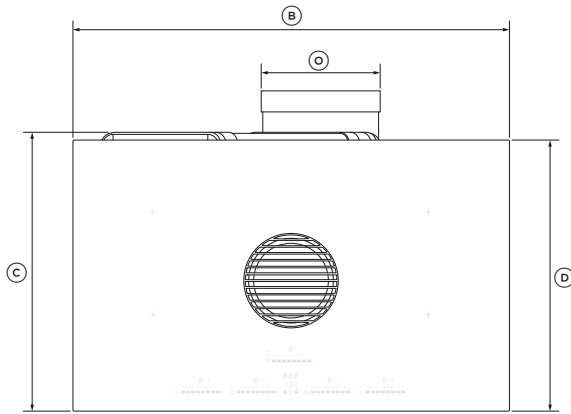


82236: KRCID834***

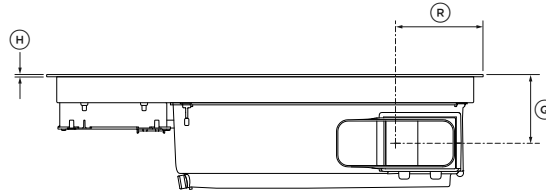
- Recirculation kit

*Reduced length illustrated | **Excluding external outlet | ***Available in New Zealand and Australia only

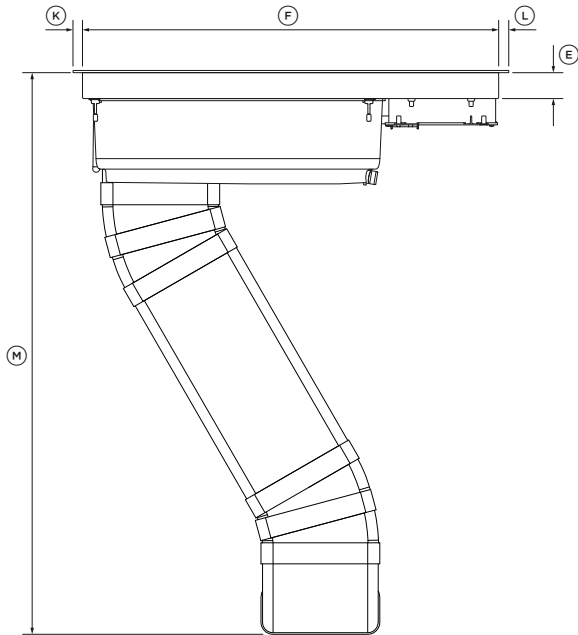
PRODUCT DIMENSIONS



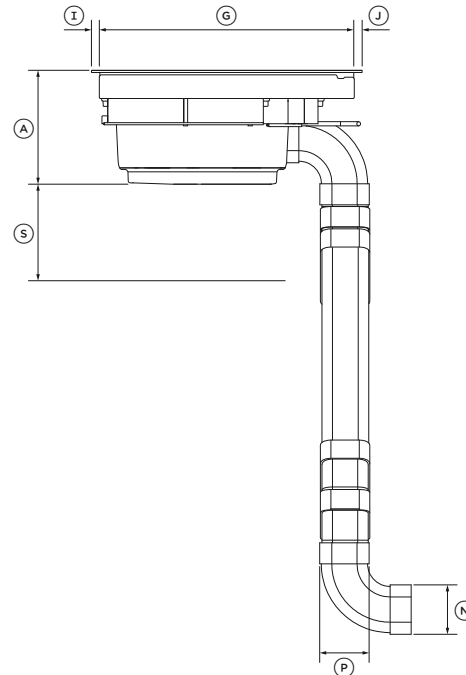
PLAN



REAR (DUCTING REMOVED)



FRONT



PROFILE

PRODUCT DIMENSIONS	MM
(A) Overall height of cooktop	218
(B) Overall width of cooktop	830
(C) Overall depth of cooktop*	529
(D) Depth of cooktop surface	515
(E) Height of chassis	50
(F) Width of chassis	799
(G) Depth of chassis	488
(H) Height of glass**	6
(I) Depth of front overhang of cooktop glass**	13
(J) Depth of rear overhang of cooktop glass**	13
(K) Depth of left overhang of cooktop glass**	15
(L) Depth of right overhang of cooktop glass**	15
(M) Maximum height of ducting***	1067
(N) Height of outlet at end of ducting	94
(O) Width of outlet at end of ducting	226
(P) Depth of ducting	94
(Q) Distance from top of glass to centre of outlet	130
(R) Distance from edge of glass to centre of outlet	166
(S) Minimum clearance below cooktop	200
Not illustrated: Depth from front of cooktop to centre of terminal block	368
Not illustrated: Width from right of cooktop to centre of terminal block	198

*Including ducting components at rear

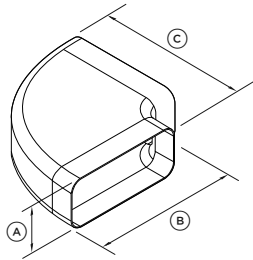
**Including chassis flange

***From underside of glass to base of outlet. Using supplied components.

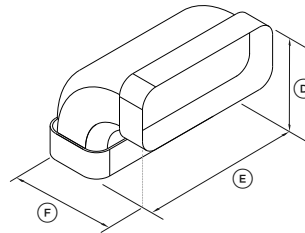
Actual product dimensions may vary by ± 2 mm

OPTIONAL ACCESSORY DIMENSIONS

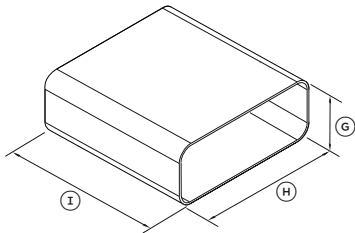
HORIZONTAL ELBOW



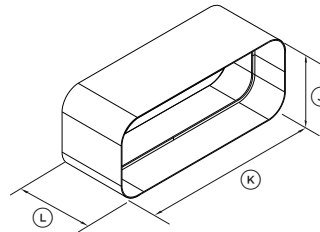
VERTICAL ELBOW



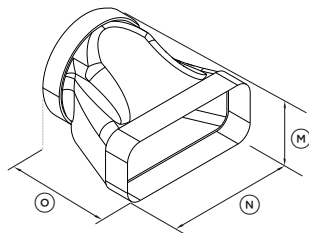
DUCTING



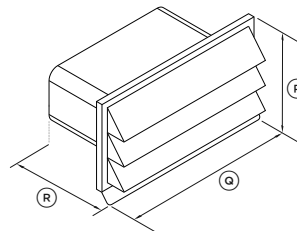
CONNECTOR



ADAPTER



GRILLE



ACCESSORY DIMENSIONS

MM

Horizontal Elbow (82390: E90-H-222-89)

(A)	Overall height of horizontal elbow	93
(B)	Overall width of horizontal elbow	287
(C)	Overall depth of horizontal elbow	287

Vertical Elbow (82391: E90-V-222-89)

(D)	Overall height of vertical elbow	174
(E)	Overall width of vertical elbow	226
(F)	Overall depth of vertical elbow	174

Ducting (part of kit 82389: D1-C-222-89)

(G)	Overall height of ducting	89
(H)	Overall width of ducting	222
(I)	Overall depth of ducting*	1000

Connector (part of kit 82389: D1-C-222-89)

(J)	Overall height of connector	93
(K)	Overall width of connector	226
(L)	Overall depth of connector	82

Adapter (82392: DA-219-98-150)

(M)	Overall height of adapter	157
(N)	Overall width of adapter	226
(O)	Overall depth of adapter	190

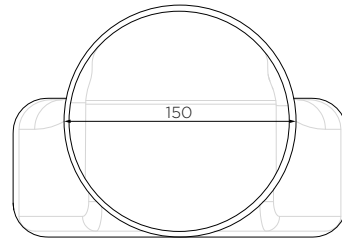
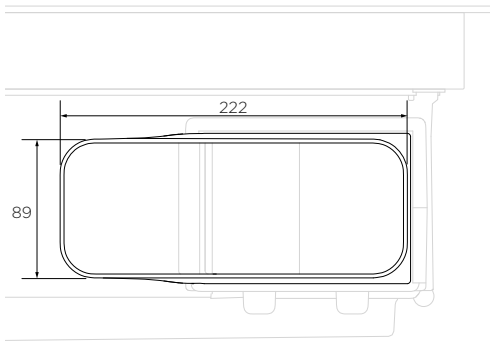
Grille (82393: DO-G-SS)

(P)	Overall height of grille	140
(Q)	Overall width of grille	280
(R)	Overall depth of grille	160

*Reduced length illustrated

CUSTOM DUCTING

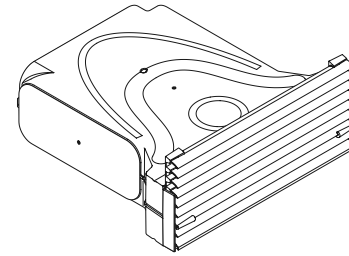
If using custom ducting, refer to the cooktop outlet dimensions below. To connect cooktop to round ducting, accessory kit DA-219-98-150 can be purchased separately.



82392: DA-219-98-150

All dimensions are in mm

OPTIONAL RECIRCULATION KIT*



Accessory kit KRCID834 can be purchased separately to allow for recirculated venting.

Recirculation kit details:

- Includes 2 filter boxes and 3m flexible ducting
- Suits toe kick heights of 100 - 150mm
- Dimensions: **H** 98mm, **W** 362mm, **D** 353mm
- Optional replacement recirculation filter (50182 FRO-DD)

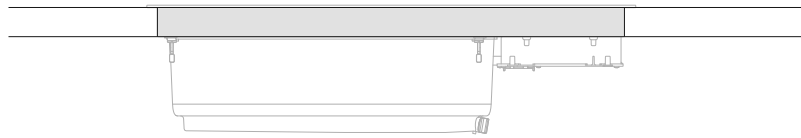
*Available in New Zealand and Australia only

CUTOUT

PROUD INSTALLATION



PLAN



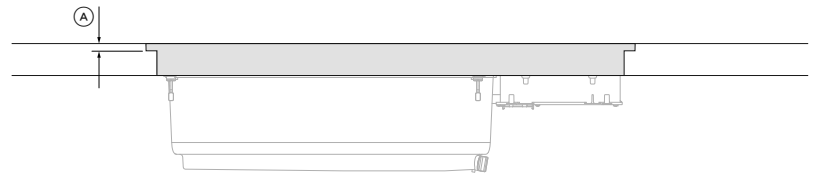
FRONT

CUTOUT DIMENSIONS	MM
Ⓐ Overall width of cutout	807
Ⓑ Overall depth of cutout	492
Ⓒ Minimum depth at rear	50
Ⓓ Corner radius of cutout	max 10

FLUSH INSTALLATION



PLAN

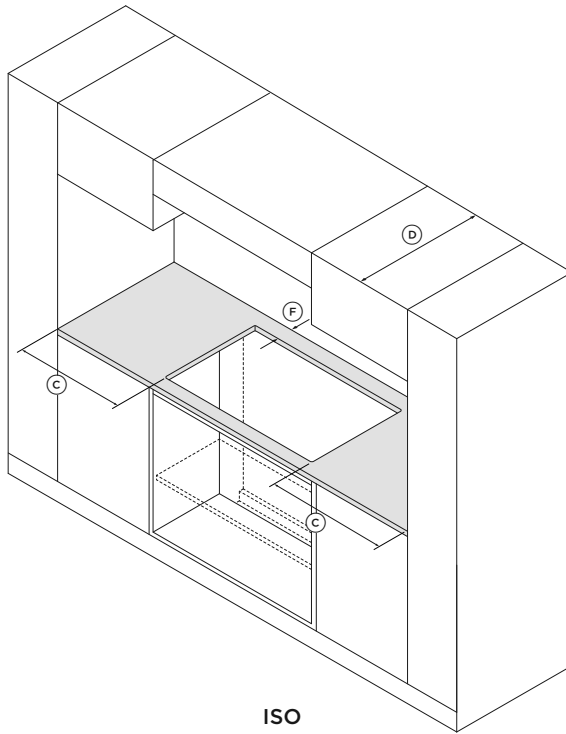


FRONT

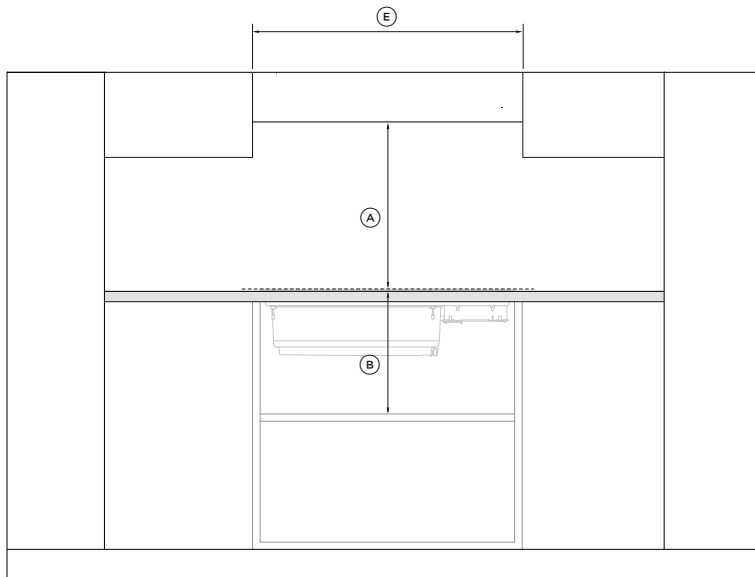
CUTOUT DIMENSIONS	MM
Ⓐ Overall height of routed recess*	6
Ⓑ Overall width of routed recess	835
Ⓒ Overall depth of routed recess	520
Ⓓ Overall width of cutout	807
Ⓔ Overall depth of cutout	492
Ⓕ Minimum depth at rear	50
Ⓖ Corner radius of routed recess	4.5
Ⓗ Corner radius of cutout	max 10

*Shimming may be required to align glass flush with benchtop. Shims not supplied.

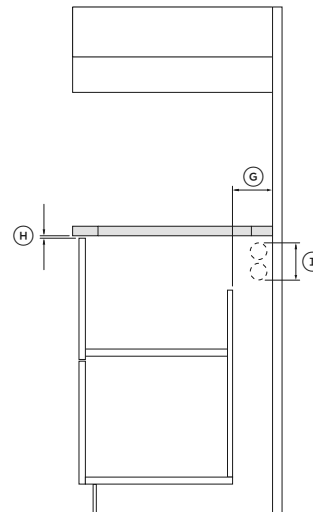
CLEARANCES



ISO



FRONT



PROFILE: CROSS SECTION

CLEARANCE DIMENSIONS

MM

Ⓐ	Minimum clearance from cook surface to:	
	• Unprotected overhead cabinet centered above cooktop**	650
	• Protected overhead cabinet centered above cooktop**	500
Ⓑ	Minimum clearance below countertop**	415
Ⓒ	Minimum clearance from side of cutout to nearest adjacent combustible surface	40
Ⓓ	Maximum depth of combustible overhead cabinetry	330
Ⓔ	Minimum distance between overhead cabinets (centred above cooktop)	830
Ⓕ	Minimum clearance from rear of cutout	50
	• Minimum clearance from rear of cooktop	39
Ⓖ	Minimum depth clearance inside cabinetry for ducting***	140
Ⓗ	Minimum ventilation gap at the front of the cooktop (full width of cooktop chassis)	5
Ⓘ	Minimum ventilation requirement	equivalent to 40cm ²

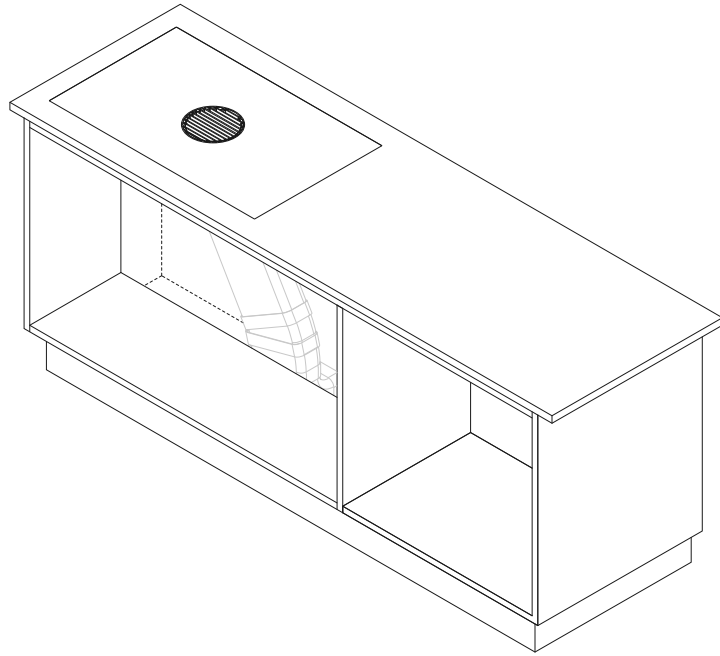
*Combustible surface definition: any materials of a building structure or decorative structure made of wood, compressed paper, plant fibres, vinyl/plastic or other materials that are capable of transferring heat or being ignited and burned. Such material shall be considered combustible even though flame-proofed, fire-retardant treated or surface-painted, or plastered.

†Ⓐ = 650mm minimum clearance between the top of the cooking surface and the bottom of an unprotected wood or metal cabinet; or Ⓐ = 10mm minimum when bottom of wood or metal cabinet is protected by not less than 6mm thick flame-retardant millboard covered with not less than No. 28 MSG sheet steel, 0.4mm-thick stainless steel, 0.6mm-thick aluminum, or 0.5mm-thick copper.

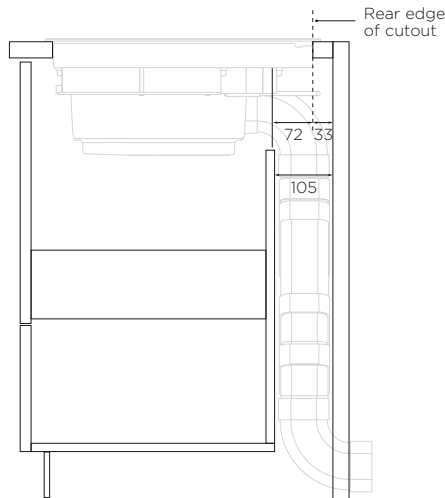
**From underside of cooktop glass. Required for cleaning access.

***Refer to 'Venting preparation' for more information.

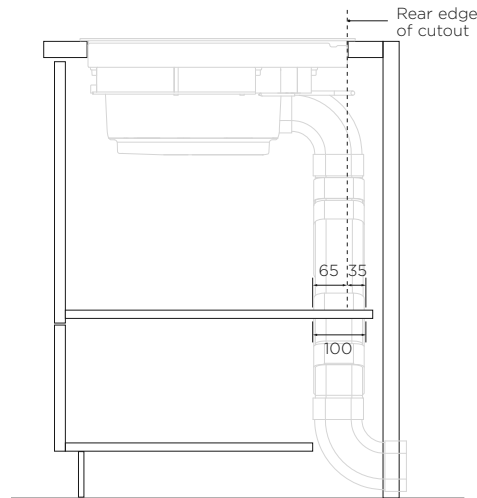
VENTING PREPARATION



ISO: VENTING TO REAR



PROFILE: SEPARATE HOUSING



PROFILE: SHELVING

All dimensions are in mm

VENTING TO THE REAR

Through same cabinetry

- This can be achieved using the supplied components. When ducting is centred below cooktop, a maximum venting height of 1067mm* is possible, alongside a maximum venting depth of 93mm***. These distances can be extended by using accessory kit D1-C-222-89. When ducting is directly below the outlet, a maximum venting height of 847mm* is possible, alongside a maximum venting depth of 93mm***.
- A space of 105mm is required at the rear of the cabinetry to house the vertical ducting components**. Alternately, if vertical ducting is to pass through any shelving, ensure a cutout of 232mm x 100mm has been created in all shelves.
- Every 3m or additional bend drops extraction performance by 2%.

Through adjacent cabinetry

- This can be achieved through the use of a minimum of 2x E90-H-222-89 and 1x D1-C-222-89 accessory kits.
- A space of 105mm is required at the rear of the cabinetry to house the vertical ducting components**. Alternately, if vertical ducting is to pass through any shelving, ensure a cutout of 232mm x 100mm has been created in all shelves.
- Every 3m or additional bend drops extraction performance by 2%.

Through sub-floor

- This can be achieved through the use of a minimum of 1x D1-c-222-89 accessory kit.
- A space of 105mm is required at the rear of the cabinetry to house the vertical ducting components**. Alternately, if vertical ducting is to pass through any shelving, ensure a cutout of 232mm x 100mm has been created in all shelves.
- Every 3m or additional bend drops extraction performance by 2%.

Direct from outlet

- This can be achieved through the use of a D1-C-222-89 accessory kit.
- When venting directly back from the outlet, the top of the ducting will sit 80mm below the cooktop glass.
- Every 3m or additional bend drops extraction performance by 2%.

VENTING TO THE SIDE

- This can be achieved through the use of a minimum of 2x E90-H-222-89 and 1x D1-C-222-89 accessory kits and can be configured via the front or the rear.
- A space of 105mm is required at the rear of the cabinetry to house the vertical ducting components**. Alternately, if vertical ducting is to pass through any shelving, ensure a cutout of 232mm x 100mm has been created in all shelves.
- Access through the base of the cabinetry to connect ducting components is recommended.
- Every 3m or additional bend drops extraction performance by 2%.

*From underside of glass to base of outlet

**When vertical ducting is housed within cabinetry only

***From rear edge of glass to end of duct

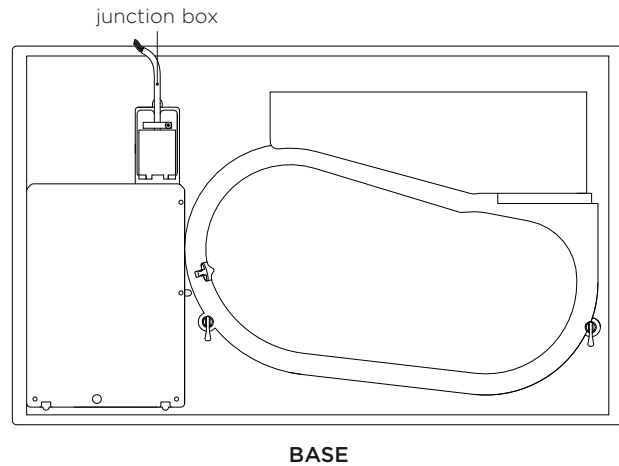
ELECTRICAL CONNECTION

CONNECTION LOCATION

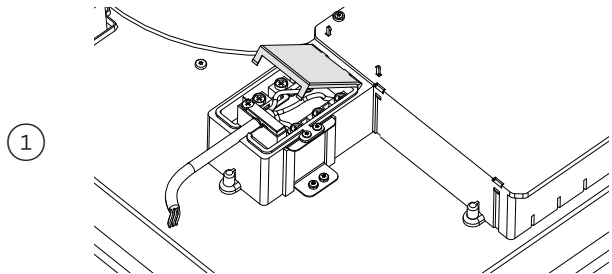
Before connecting the cooktop to the mains power supply check that:

- The domestic wiring system is suitable for the power drawn by the cooktop.
- The voltage corresponds to the value given in the rating plate.
- The power supply cable sections can withstand the load specified on the rating plate.

CONNECTION	MAX. CURRENT DRAW	MAX. LOAD	VOLTAGE
Single-phase	34A	7400W	220-240V~
Two-phase	34A	7400W	380-415V~ 2N~
Three-phase	34A	7400W	380-415V~ 3N~



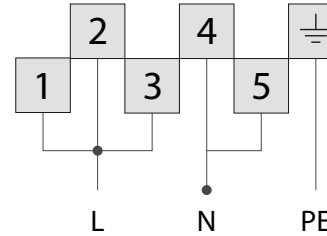
CONNECT POWER



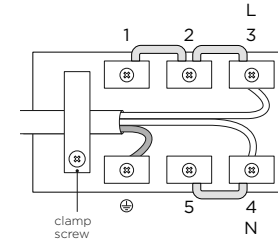
Open the junction box cover and connect the wiring to the terminal block.

SINGLE-PHASE CONNECTION

220-240V~

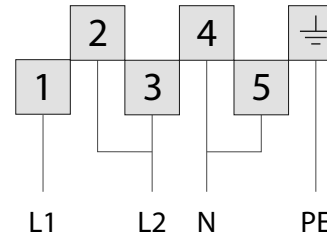


Ensure cable is tightened with screw. You may have to remove the screw first before fitting the clamp.

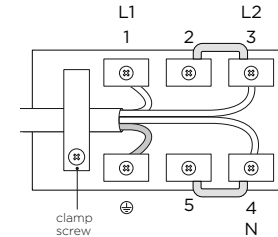


TWO-PHASE CONNECTION

380-415V~ 2N~

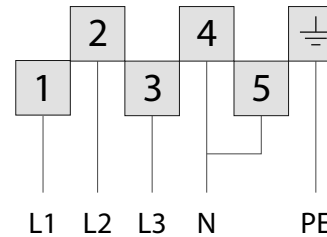


Ensure cable is tightened with screw. You may have to remove the screw first before fitting the clamp.

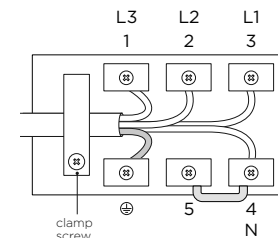


THREE-PHASE CONNECTION

380-415V~ 3N~

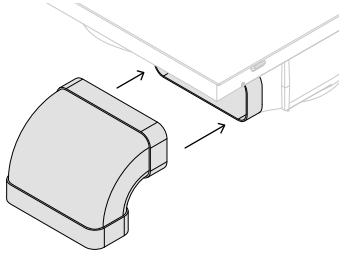


Ensure cable is tightened with screw. You may have to remove the screw first before fitting the clamp.



INSTALL DUCTING

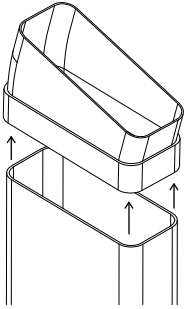
1



Fit the 90° elbow to the cooktop outlet. Tape to secure.

If ducting direct from the outlet, the 90° elbow is not required however the connector from accessory kit D1-C-222-89 must be used.

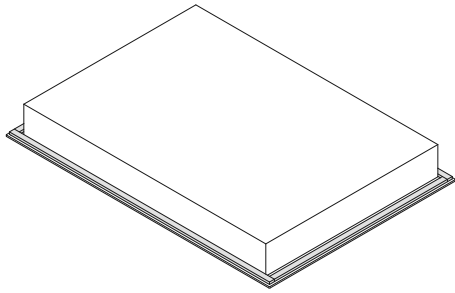
2



Cut all other ducting to required lengths and slot together. Tape to secure.

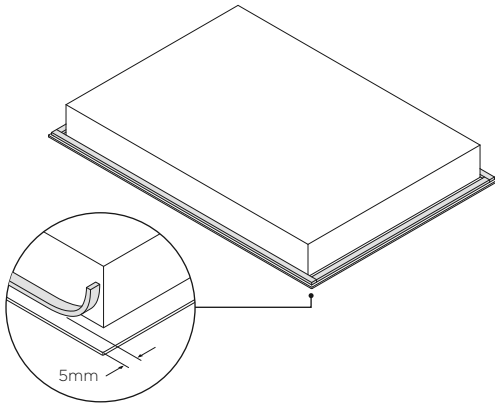
INSTALL COOKTOP - PROUD

1



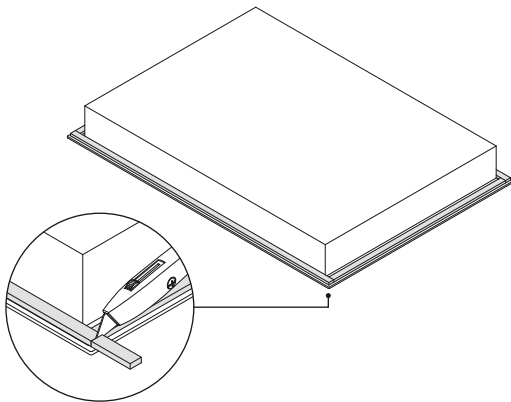
Turn the cooktop upside down on a protective cover.

2



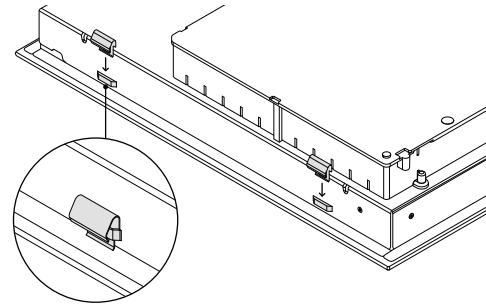
Apply adhesive foam seal around the glass overhang, 5mm from the edge of the glass.
Ensure the adhesive side facing is down to form a continuous seal around the cooktop.

3



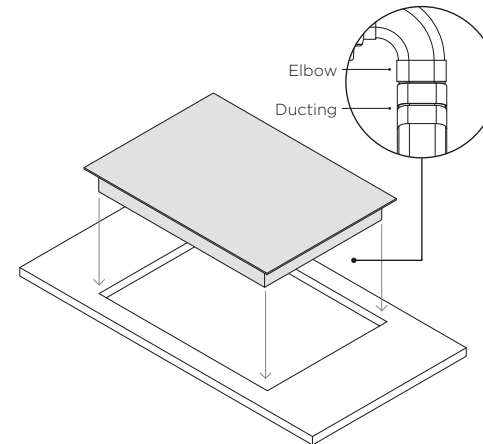
Trim the excess sealing material using a sharp cutter or trimmer knife.
Take care not to damage the benchtop.

4



Attach the four side clips to the cooktop chassis.
Ensure the clips are oriented correctly.

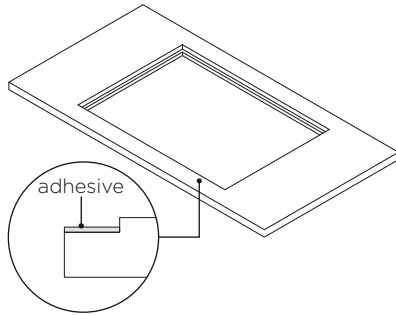
5



Align vertical ducting to the elbow on the cooktop before lowering it into the cutout.
Tape the ducting to secure.

INSTALL COOKTOP - FLUSH

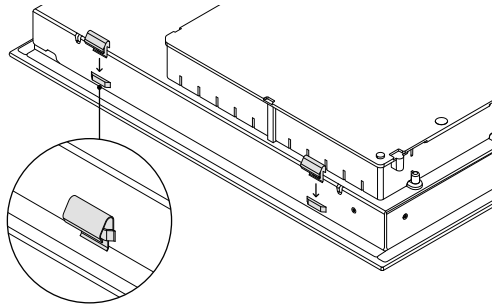
1



Prepare the countertop for flush installation. Use a router to cutout the edges of the countertop to specified depth (6mm). Ensure all bare edges are sealed. Refer to 'Installation considerations'.

Attach an adhesive tape along the edges of the routed recess.

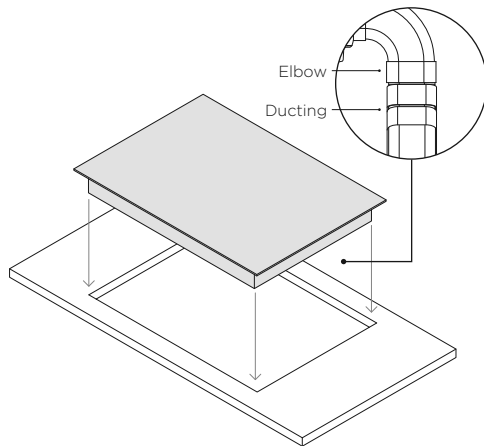
2



Attach the four side clips to the cooktop chassis.

Ensure the clips are oriented correctly.

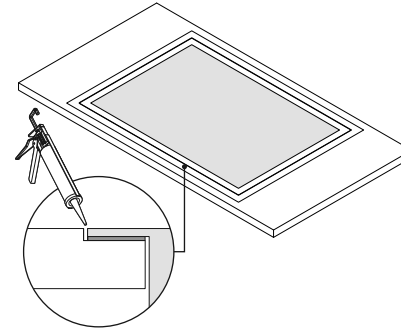
3



Align vertical ducting to the elbow on the cooktop before lowering it into the cutout.

Tape the ducting to secure.

4



Apply silicone in the gap between countertop and cooktop.

Wipe off any excess silicone.

INSTALLER CHECKLIST

TO BE COMPLETED BY THE INSTALLER

GENERAL

- Read safety and warnings in the user guide before operating the cooktop.
- Specified clearance maintained.
- Unit is level - front to back and side to side.
- All packaging materials have been removed.
- Touch controls and displays are functioning.
- Cooking zones are functioning correctly. Turn on all of them to a high setting and leave them on for at least one minute.
- There is a constant flow of cool air from the cabinetry to the base of the cooktop.
- Cooktop is securely clamped.
- Basic operation has been demonstrated to the customer.

VENTILATION

- Ensure all ducting components are taped securely.
- Check outlets are clear and not obstructed.

ELECTRICAL

- Receptacle with correctly rated over-current protection is provided for service cord connection.
- Adequate ground connection.
- Power supply cable is not touching the cooktop and accessible.

Complete and keep for safe reference:

Model _____

Serial No. _____

Purchase Date _____

Purchaser _____

Dealer Address _____

Installer's Name _____

Installer's Signature _____

Installation Company _____

Installation Date _____

FISHERPAYKEL.COM

© Fisher & Paykel Appliances 2021. All rights reserved.

The models shown in this guide may not be available in all markets
and are subject to change at any time.

The product specifications in this guide apply to the specific products and
models described at the date of issue. Under our policy of continuous product
improvement, these specifications may change at any time.

For current details about model and specification availability in your country,
please go to our website or contact your local Fisher & Paykel dealer.

592356C 11.21