

Chip appearance subject to change. Pictures and images may not be reflective of current offering.

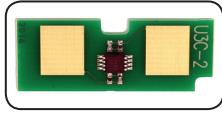
Printer Models	OEM SKU	Yield	Static Control Product Code (Chip Marking)
HP® 1500/2500	C9700A	5K	U1-2CHIP-K (U1K-2)
	C9701A	4K	U1-2CHIP-C (U1C-2)
	C9703A	4K	U1-2CHIP-MA (U1M-2)
	C9702A	4K	U1-2CHIP-Y (U1Y-2)
HP® 1500/2500 (Drum Unit)	C9704A	20K	U3-2CHIP-DU (U3DU-2)
Canon® LBP-2410, MF8170c/8180c MFP	EP-87	5K	U1-2CHIP-K (U1K-2)
	EP-87	4K	U1-2CHIP-C (U1C-2)
	EP-87	4K	U1-2CHIP-MA (U1M-2)
	EP-87	4K	U1-2CHIP-Y (U1Y-2)
Canon® LBP-2410, MF8170c/8180c MFP (Drum Unit)	EP-87	20K	U3-2CHIP-DU (U3DU-2)
Canon® LBP-5200	CRG-101BK CRG-301BK CRG-701BK	5K	U1-2CHIP-K (U1K-2)
	CRG-101C CRG-301C CRG-701C	4K	U1-2CHIP-C (U1C-2)
	CRG-101M CRG-301M CRG-701M	4K	U1-2CHIP-MA (U1M-2)
	CRG-101Y CRG-301Y CRG-701Y	4K	U1-2CHIP-Y (U1Y-2)
Canon® LBP-5200 (Drum Unit)	CRG-101 Drum CRG-301 Drum CRG-701 Drum	20K	U3-2CHIP-DU (U3DU-2)

Printer Models	OEM SKU	Yield	Static Control Product Code (Chip Marking)
HP® 4600/4610/4650	C9720A (641A)	9K	U4-2CHIP-K (U4-2-K)
	C9721A (641A)	8K	U4-2CHIP-C (U4-2-C)
	C9723A (641A)	8K	U4-2CHIP-MA (U4-2-MA)
	C9722A (641A)	8K	U4-2CHIP-Y (U4-2-Y)
HP® 3500/3550	Q2670A	6K	U1-2CHIP-K (U1K-2)
	Q2671A	4K	U3-2CHIP-C (U3C-2)
	Q2673A	4K	U3-2CHIP-MA (U3M-2)
	Q2672A	4K	U3-2CHIP-Y (U3Y-2)
HP® 3700	Q2670A	6K	U1-2CHIP-K (U1K-2)
	Q2681A	6K	U1-2CHIP-C (U1C-2)
	Q2683A	6K	U1-2CHIP-MA (U1M-2)
	Q2682A	6K	U1-2CHIP-Y (U1Y-2)
HP® 2550, 2820/2840 MFP	Q3960A	5K	U1-2CHIP-K (U1K-2)
	Q3961A	4K	U1-2CHIP-C (U1C-2)
	Q3963A	4K	U1-2CHIP-MA (U1M-2)
	Q3962A	4K	U1-2CHIP-Y (U1Y-2)

Continued ->

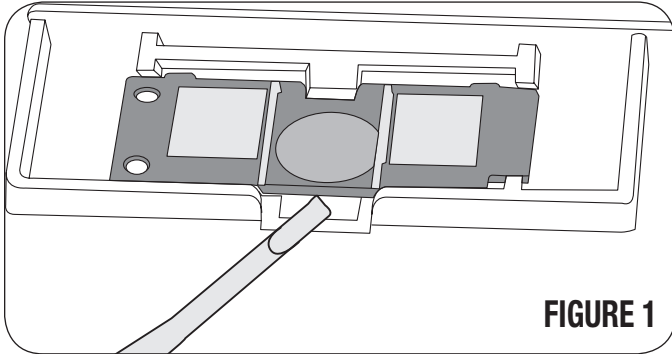
Printer Models	OEM SKU	Yield	Static Control Product Code (Chip Marking)
HP® 2550, 2820/2840 MFP	Q3964A	20K	U3-2CHIP-DU (U3DU-2)
HP® 2550, 2820/2840 MFP	Q3971A	2K	U3-2CHIP-C (U3C-2)
	Q3973A	2K	U3-2CHIP-MA (U3M-2)
	Q3972A	2K	U3-2CHIP-Y (U3Y-2)
Canon® LBP-2500/2510/5500	EP-85	9K	U4-2CHIP-K (U4-2-K)
	EP-85	8K	U4-2CHIP-C (U4-2-C)
	EP-85	8K	U4-2CHIP-MA (U4-2-MA)
	EP-85	8K	U4-2CHIP-Y (U4-2-Y)
HP® 5500/5550	C9730A	13K	U4-2CHIP-K (U4-2-K)
	C9731A	12K	U4-2CHIP-C (U4-2-C)
	C9733A	12K	U4-2CHIP-MA (U4-2-MA)
	C9732A	12K	U4-2CHIP-Y (U4-2-Y)
Canon® LBP-2710/2810/5700 5800, C3500	EP-86	13K	U4-2CHIP-K (U4-2-K)
	EP-86	12K	U4-2CHIP-C (U4-2-C)
	EP-86	12K	U4-2CHIP-MA (U4-2-MA)
	EP-86	12K	U4-2CHIP-Y (U4-2-Y)

Printer Models	OEM SKU	Yield	Static Control Product Code (Chip Marking)
HP® 9500	C8550A	25K	U4-2CHIP-K (U4-2-K)
	C8551A	25K	U4-2CHIP-C (U4-2-C)
	C8553A	25K	U4-2CHIP-MA (U4-2-MA)
	C8552A	25K	U4-2CHIP-Y (U4-2-Y)
HP® 9500 (Drum Unit)	C8560A	40K	U4-2CHIP-K (U4-2-K)
	C8561A	40K	U4-2CHIP-C (U4-2-C)
	C8563A	40K	U4-2CHIP-MA (U4-2-MA)
	C8562A	40K	U4-2CHIP-Y (U4-2-Y)
HP® 4100	C8061X	10K	U5-2CHIP (U5-2)
HP® 9000, 9040 MFP, M9040 MFP, 9050 MFP, M9050 MFP	C8543X	30K	U5-2CHIP (U5-2)

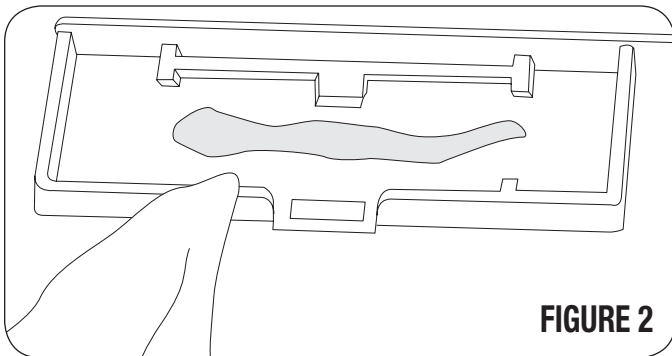


Type 1 Chip Removal & Installation

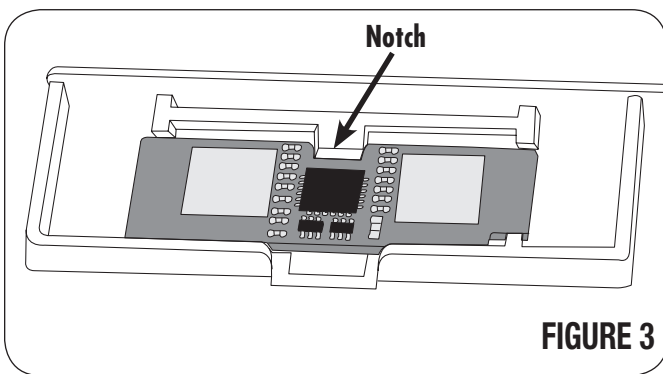
- Using a slotted screwdriver, pry the OEM chip off of the cartridge. See Figure 1.




- Moisten a lint free cleaning cloth with 91% - 99% Isopropyl Alcohol and clean the surface where the chip is mounted as shown in Figure 2.



- Remove the adhesive backing from a new chip.
 - Then, place the chip on the cartridge as shown in Figure 3.

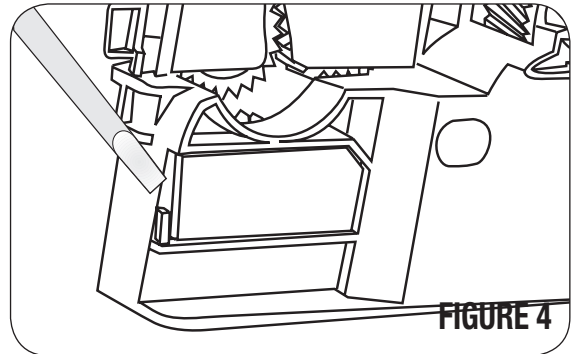


 Note: The notch on the top edge of the chip must be aligned as shown in Figure 3.

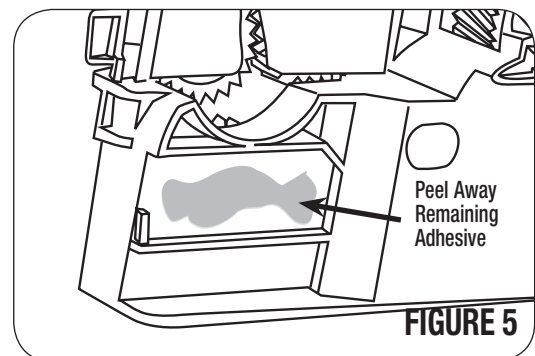


Type 2 Chip Removal & Installation

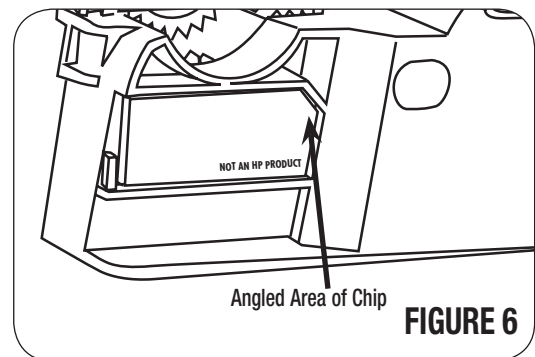
- Using a slotted screwdriver, pry the OEM chip off of the cartridge. See Figure 4.




- Moisten a lint free cleaning cloth with 91% - 99% isopropyl alcohol and clean the surface where the chip is mounted as shown in Figure 5.



- Remove the adhesive backing from a new chip.
 - Then, place the chip on the cartridge as shown in Figure 6.



 Note: The angled area on the chip must be aligned with the angled area on the cartridge as shown in Figure 6 .

DEDICATION TO TRAINING

In order to produce consistent high quality prints that are virtually indistinguishable from the OEM, it is essential to follow Static Control's remanufacturing instructions exactly as directed. Static Control is dedicated to informing customers of the latest innovations in training and knowledge. Access to these instructions, our technical support staff and View on Demand Webinars are available to all customers in good standing.

ELECTROPHOTOGRAPHICALLY MATCHED COMPONENTS

We provide these critical components that have been electrophotographically matched for use in remanufactured toner cartridges. It is vital that the critical components be replaced as a system to ensure consistent high quality performance. We provide additional components such as felts, foams and recovery blades, should you decide they are necessary. Using Static Control's system of components allows you to use less expensive non-virgin cartridges and create remanufactured cartridges that provide high quality prints virtually indistinguishable from the OEM.

INDUSTRY LEADER

Static Control is the global leader in aftermarket imaging and remanufacturing technology. Offices are located worldwide and all research, development, manufacturing and engineering takes place at their Sanford, North Carolina, USA world headquarters. Currently, Static Control manufactures in-house over 8,000 imaging products and supplies over 15,000 imaging products to the aftermarket industry.

V.11.2 - 3.13

For direct technical support, please call:

US/Canada: 800 488 2426, Int'l +1 919 774 3808 • Europe: + 44 (0) 118 923 8800

China: 800 630 0700 • Hong Kong: +852 2427 6011 • South Africa: +27 (0) 11 973 1930

www.scc-inc.com • www.scceurope.co.uk • www.scc-inc.cn