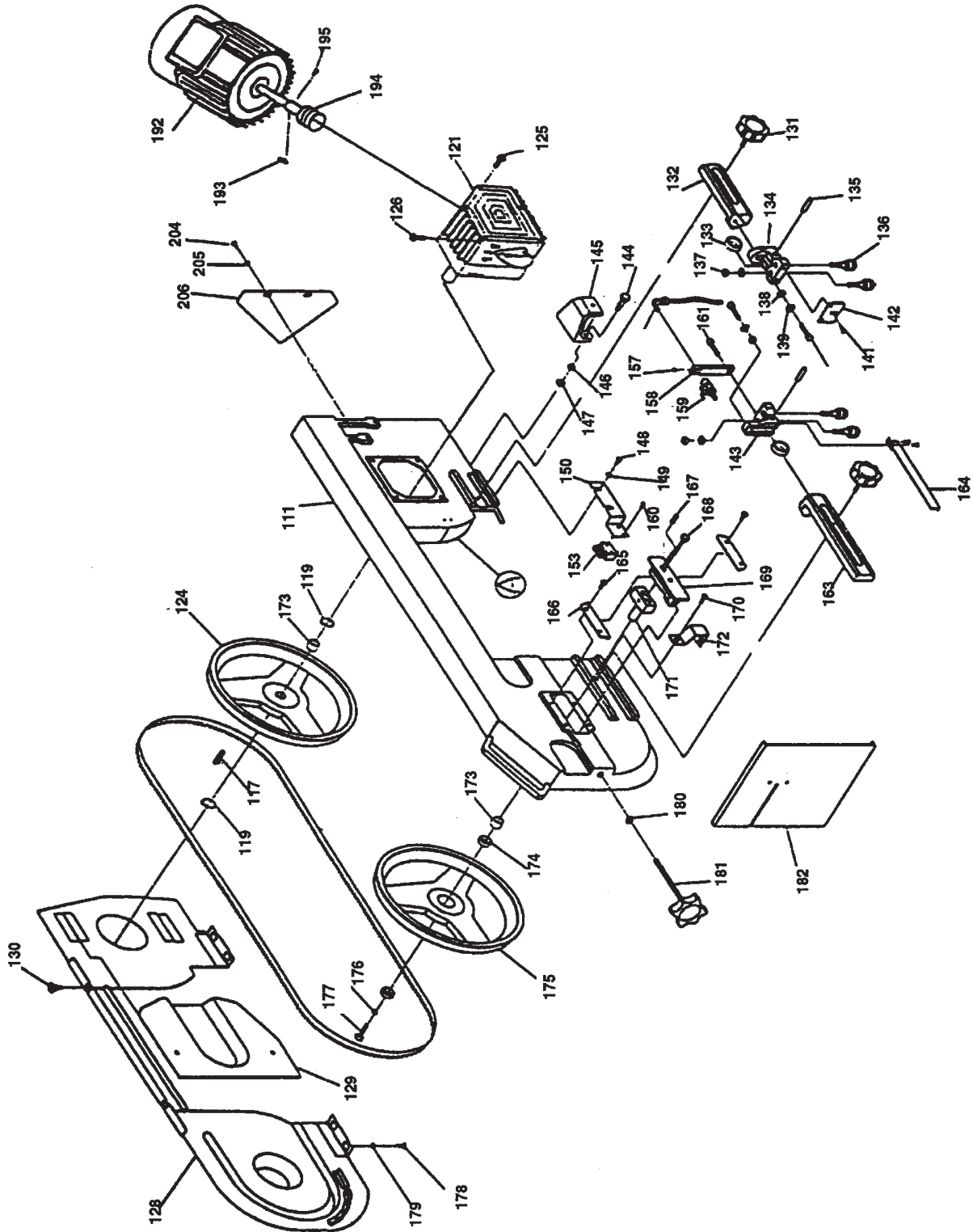
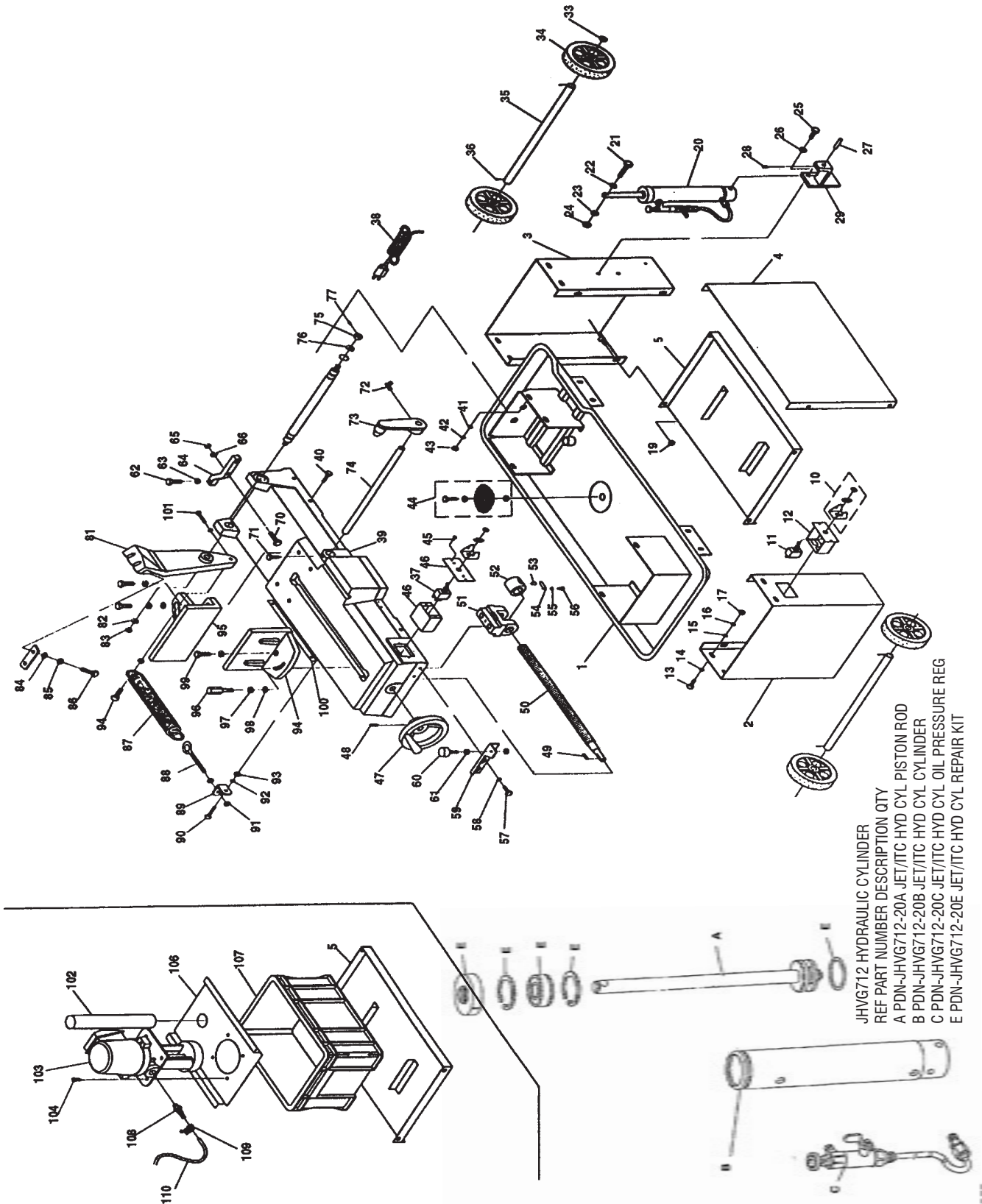


JHVG712 GEAR DRIVE BANDSAW PRODUCT # 222332



JHVG712 GEAR DRIVE BANDSAW PRODUCT # 222332



- JHVG712 HYDRAULIC CYLINDER
- REF PART NUMBER DESCRIPTION QTY
- A PDN-JHVG712-20A JET/ITC HYD CYL PISTON ROD
- B PDN-JHVG712-20B JET/ITC HYD CYL CYLINDER
- C PDN-JHVG712-20C JET/ITC HYD CYL OIL PRESSURE REG
- E PDN-JHVG712-20E JET/ITC HYD CYL REPAIR KIT

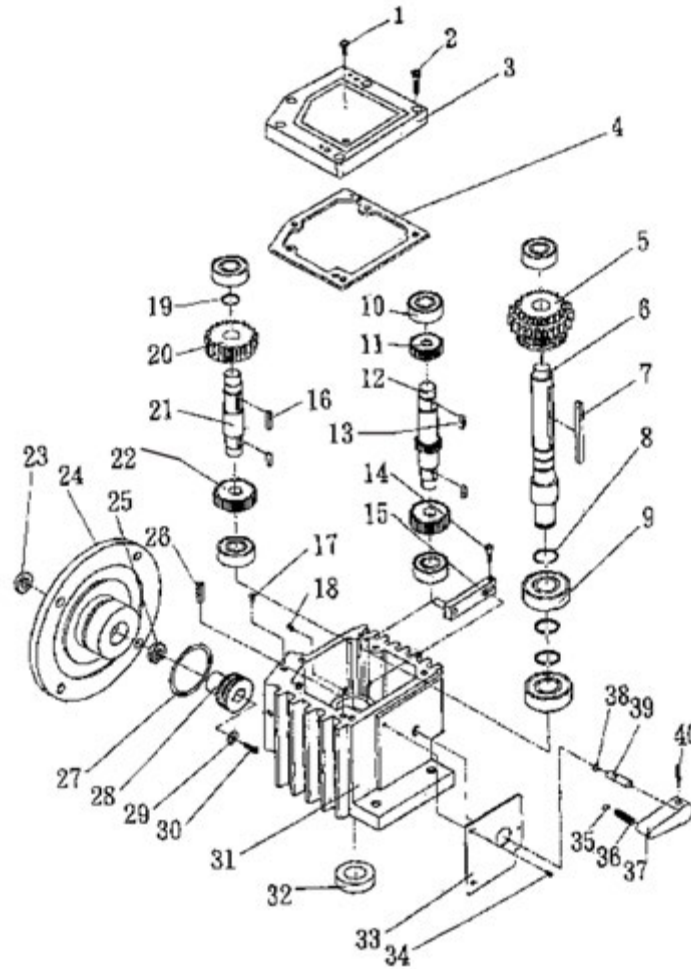
JHVG712 GEAR DRIVE BANDSAW PRODUCT # 222332

REF	PART NUMBER	DESCRIPTION	REQ	REF	PART NUMBER	DESCRIPTION	REQ
1	PDN-JHVG712-01	BOTTOM PAN	1	74	PDN-JHVG712-74	STOCK STOP ROD	1
2	PDN-JHVG712-02	LEG (LEFT)	1	75	PDN-JHVG712-75	NUT	2
3	PDN-JHVG712-03	LEG (RIGHT)	1	76	PDN-JHVG712-76	WASHER	2
4	PDN-JHVG712-04	SKIRT	1	77	PDN-JHVG712-77	SET SCREW	1
5	PDN-JHVG712-05	SHELF	1	80N	PDN-JHVG712-80N	SUPPORT SHAFT	1
10	PDN-JHVG712-10	SWITCH BRACKET	1	81	PDN-JHVG712-81	PIVOT ARM	1
11	PDN-JHVG712-11	TOGGLE SWITCH	1	82	PDN-JHVG712-82	NUT	1
12	PDN-JHVG712-12	ELECTRICAL BOX	1	83	PDN-JHVG712-83	HEX HEAD SCREW	1
13	PDN-JHVG712-13	HEX HEAD SCREW	8	84	PDN-JHVG712-84	PLATE	1
14	PDN-JHVG712-14	SPRING WASHER	8	85	PDN-JHVG712-85	SPRING WASHER	2
15	PDN-JHVG712-15	WASHER	8	86	PDN-JHVG712-86	HEX HEAD SCREW	2
16	PDN-JHVG712-16	SPRING WASHER	8	87	PDN-JHVG712-87	SPRING	1
17	PDN-JHVG712-17	NUT	8	88	PDN-JHVG712-88	SPRING ADJUSTING ROD	1
18	PDN-JHVG712-18	HEX HEAD SCREW	6	89	PDN-JHVG712-89	SPRING BRACKET	1
19	PDN-JHVG712-19	NUT	6	90	PDN-JHVG712-90	HEX HEAD SCREW	1
20	PDN-JHVG712-20	HYDRAULIC CYLINDER	1	91	PDN-JHVG712-91	NUT	2
20A	PDN-JHVG712-RK	HYD CYLINDER REPAIR KIT	1	92	PDN-JHVG712-92	SPRING WASHER	1
21	PDN-JHVG712-21	HEX SOCKET SCREW	1	93	PDN-JHVG712-93	NUT	1
22	PDN-JHVG712-22	WASHER	1	94	PDN-JHVG712-94	FRONT VISE	1
23	PDN-JHVG712-23	SPRING WASHER	1	95	PDN-JHVG712-95	REAR VISE	1
24	PDN-JHVG712-24	NUT	1	96	PDN-JHVG712-96	VISE THRUST SHAFT	1
25	PDN-JHVG712-25	HEX HEAD SCREW	2	96-1	Local Purchase	SPRING WASHER 3/8	2
26	PDN-JHVG712-26	SPRING WASHER	2	96-2	Local Purchase	WASHER 3/8	1
27	PDN-JHVG712-27	SUPPORT ROD	1	97	Local Purchase	SPRING WASHER 3/8	2
28	PDN-JHVG712-28	HEX HEAD SCREW	1	98	Local Purchase	WASHER 3/8	1
29	PDN-JHVG712-29	BOTTOM SUPPORT	1				
33	PDN-JHVG712-33	WASHER	4				
34	PDN-JHVG712-34	WHEEL	4	99	PDN-JHVG712-99	HEX HEAD SCREW	1
35	PDN-JHVG712-35	WHEEL SHAFT	2	100	PDN-JHVG712-100	SCALE	1
36	PDN-JHVG712-36	CUTTER PIN	4	101	PDN-JHVG712-101	HEX HEAD SCREW	1
37	PDN-JHVG712-37	TOGGLE SWITCH	1	102	PDN-JHVG712-102	HOSE	1
38	PDN-JHVG712-38	ELECTRIC CORD ASSY	1	103	PDN-JHVG712-103	PUMP	1
39	PDN-JHVG712-39	TABLE	1	104	PDN-JHVG712-104	HEX HEAD SCREW	4
40	PDN-JHVG712-40	HEX HEAD SCREW	5	106		USE PDN-JHVG712-107	
41	PDN-JHVG712-41	WASHER	5	107	PDN-JHVG712-107	COLLANT TANK COMES WITH #106	1
42	PDN-JHVG712-42	SPRING WASHER	5	108	PDN-JHVG712-108	HOSE FITTING	1
43	PDN-JHVG712-43	NUT	5	109	Local Purchase	HOSE CLAMP	1
44	PDN-JHVG712-44	FILTER	1	110	PDN-JHVG712-110	HOSE	1
45	PDN-JHVG712-45	HEX HEAD SCREW	2	111	PDN-JHVG712-111	SAW BOW	1
46	PDN-JHVG712-46	ELECTRICAL BOX ASSY	1	117	PDN-JHVG712-117	KEY	1
47	PDN-JHVG712-47	HANDLE WHEEL	1	119	PDN-JHVG712-119	C-RING	1
48	PDN-JHVG712-48	HEX HEAD SCREW	1	121	PDN-JHVG712-121	GEAR BOX NEW STYLE W EARS	1
49	PDN-JHVG712-49	KEY	1	121	PDN-712-121	GEAR BOG OLD STYLE	1
50	PDN-JHVG712-50	LEAD SCREW	1	122	PDN-JHVG712-122	SPRING WASHER	4
51	PDN-JHVG712-51	NUT SEAT	1	123	PDN-JHVG712-123	HEX HEAD SCREW	4
52	PDN-JHVG712-52	ACME NUT	1	124	PDN-JHVG712-124	BLADE WHEEL REAR	1
53	PDN-JHVG712-53	BUTTON	1	125	PDN-JHVG712-125	HEX HEAD SCREW	5
54	PDN-JHVG712-54	RETAINER	1	126	PDN-JHVG712-126	VENT PLUG	1
55	PDN-JHVG712-55	SPRING WASHER	1	127	PDN-JHVG712-127	BLADE: LOCAL PURCHASE: N/A	1
56	PDN-JHVG712-56	HEX HEAD SCREW	1	128	PDN-JHVG712-128	BLADE BACK COVER	1
57	PDN-JHVG712-57	HEX HEAD SCREW	2	129	PDN-JHVG712-129	WHEEL COVER	1
58	PDN-JHVG712-58	SPRING WASHER	2	130	PDN-JHVG712-130	PLUM SCREW	2
59	PDN-JHVG712-59	SUPPORT PLATE	1	131	PDN-JHVG712-131	GUIDE ADJUSTABLE KNOB	2
60	PDN-JHVG712-60	STOP SCREW	1	132	PDN-JHVG712-132	ADJUSTABLE BRACKET REAR	1
61	PDN-JHVG712-61	NUT	2	133	PB608-2Z	BEARING	2
62	PDN-JHVG712-62	HEX HEAD SCREW	1	134	PDN-JHVG712-134	BLADE ADJUSTABLE SEAT REAR	1
63	PDN-JHVG712-63	NUT	1	135	PDN-JHVG712-135	BEARING PIN	2
64	PDN-JHVG712-64	90 DEGREE SUPPORT	1	136	PDN-JHVG712-136	ECCENTRIC SHAFT	2
65	PDN-JHVG712-65	NUT	2	137	PDN-JHVG712-137	NUT	4
66	PDN-JHVG712-66	SPRING WASHER	2	138	PDN-JHVG712-138	WASHER	2
70	PDN-JHVG712-70	HEX HEAD SCREW	2	139	PDN-JHVG712-139	SPRING WASHER	2
71	PDN-JHVG712-71	SET SCREW	1	140	PDN-JHVG712-140	HEX HEAD SCREW	1
72	PDN-JHVG712-72	THUMB SCREW	1	141	PDN-JHVG712-141	HEAD SCREW	2
73	PDN-JHVG712-73	STOP BLOCK	1	142	PDN-JHVG712-142	VERTICAL CUTTING PLATE SMALL	1

JHVG712 GEAR DRIVE BANDSAW PRODUCT # 222332

REF	PART NUMBER	DESCRIPTION	REQ
142	PDN-JHVG712-142	VERTICAL CUTTING PLATE SMALL	1
143	PDN-JHVG712-143	BLADE ADJUSTABLE SEAT	1
144	PDN-JHVG712-144	HEX HEAD SCREW	2
145	PDN-JHVG712-145	TOP SUPPORT	1
146	PDN-JHVG712-146	SPRING WASHER	2
147	PDN-JHVG712-147	NUT	2
148	PDN-JHVG712-148	ROUND HEAD SCREW	2
149	PDN-JHVG712-149	WASHER	2
150	PDN-JHVG712-150	BRUSH HOLDER	1
153	PDN-JHVG712-153	BRUSH	1
154	PDN-JHVG712-154	HEX HEAD SCREW	1
156	PDN-JHVG712-156	NOZZLE COCK	1
157	PDN-JHVG712-157	SET SCREW	1
158	PDN-JHVG712-158	NOZZLE COCK SUPPORT	1
159	PDN-JHVG712-159	VALVE	1
160	PDN-JHVG712-160	ROUND HEAD SCREW	2
161	PDN-JHVG712-161	HEX SOCKET SCREW	1
163	PDN-JHVG712-163	ADJUSTABLE BRACKET FRONT	1
164	PDN-JHVG712-164	BLADE GUARD	1
165	PDN-JHVG712-165	HEX HEAD SCREW	4
166	PDN-JHVG712-166	SLIDING GUIDE PLATE	2
167	PDN-JHVG712-167	SET SCREW	1
168	PDN-JHVG712-168	HEX HEAD SCREW	2
169	PDN-JHVG712-169	BLADE TENSION SLIDING BLOCK	1
170	PDN-JHVG712-170	HEX HEAD SCREW	1
171	PDN-JHVG712-171	SLIDING DRAW BLOCK	1
172	PDN-JHVG712-172	BRACKET	1
173	PDN-JHVG712-173	BEARING BUSHING	1
174	PDN-JHVG712-174	BEARING: USE PB6203-2Z	2
175	PDN-JHVG712-175	BLADE WHEEL FRONT	1
176	PDN-JHVG712-176	WASHER	1
177	PDN-JHVG712-177	HEX HEAD SCREW	1
178	PDN-JHVG712-178	ROUND HEAD SCREW	4
179	PDN-JHVG712-179	WASHER	4
180	PDN-JHVG712-180	WASHER	1
181	PDN-JHVG712-181	BLADE ADJUSTABLE HANDLE	1
182	PDN-JHVG712-182	VERTICAL CUTTING PLATE	1
192	PDN-JHVG712-192	MOTOR OLD STYLE	1
	PDNJHVG7121921	MOTOR NEW STYLE SER 01062447-02062466 OLD STYLE MOTOR HELD IN PLACE WITH 3 SCREWS THAT GO THROUGH THE TRANS DECK. NEW STYLE HELD IN PLACE WITH 2 BOLTS THAT GO THROUGH A FLANGE ON EACH SIDE OF TRANS AND BOLT INTO THE MOTOR HOUSING	1
193	PDN-JHVG712-193	KEY	1
194	PDN-JHVG712-194	WORM SHAFT	1
195	PDN-JHVG712-195	HEX SOCKET SCREW	1
204	PDN-JHVG712-204	HEX HEAD SCREW	2
205	PDN-JHVG712-205	WASHER	2
206	PDN-JHVG712-206	SUPPORT PLATE	1

JHVG712 GEAR DRIVE BANDSAW PRODUCT # 222332



REF	PART NUMBER	DESCRIPTION	REQ	REF	PART NUMBER	DESCRIPTION	REQ
1	PDN-712-121-1	JHVG712 G/BOX VENT BOLT	1	21	PDN-712-121-21	JHVG712 G/BOX WORM GEAR SHAFT W#22	1
2	PDN-712-121-2	JHVG712 G/BOX HEX SKT CAP SCREW	1	22	PDN-712-121-22	USE PDN-712-121-21	1
3	PDN-712-121-3	JHVG712 G/BOX COVER	1	23	PDN-712-121-23	JHVG712 G/BOX OIL SEAL 20X42X8	1
4	PDN-712-121-4	JHVG712 G/BOX GASKET	1	24	PDN-712-121-24	JHVG712 G/BOX MOTOR COVER	1
5	PDN-712-121-5	JHVG712 G/BOX DRIVE GEAR ASSY	1	25	PDN-712-121-25	JHVG712 G/BOX OIL SEAL 17X38X7	1
6	PDN-712-121-6	JHVG712 G/BOX DRIVE SHAFT	1	26	PDN-712-121-26	JHVG712 G/BOX SET PIN 6X15	2
7	PDN-712-121-7	JHVG712 G/BOX KEY 5X8	1	27	PDN-712-121-27	JHVG712 G/BOX O-RING G60	1
8	PDN-712-121-8	JHVG712 G/BOX C-RING S-25	3	28	PDN-712-121-28	JHVG712 G/BOX WORM SHAFT	1
9	PB6205-2Z	JHVG712 G/BOX B/BRG	2	29	PDN-712-121-29	JHVG712 G/BOX BUSHING	1
10	PB6201-2Z	JHVG712 G/BOX B/BRG	5	30	PDN-712-121-30	JHVG712 G/BOX HEX SKT CAP SCR 6X20	1
11	PDN-712-121-11	JHVG712 G/BOX GEAR SET ASSY W#12,13	1	31	PDN-712-121-31	NOT AVAILABLE	1
12	PDN-712-121-12	USE PDN-712-121-11	1	32	PDN-712-121-32	JHVG712 G/BOX OIL SEAL 30X42X7	1
13	PDN-712-121-13	USE PDN-712-121-11	3	33	PDN-712-121-33	JHVG712 G/BOX INDICATOR PLATE	1
14	PDN-712-121-14	JHVG712 G/BOX HEX SKT CAP SCREW	1	34	PDN-712-121-34	JHVG712 G/BOX SCREW M4X8	1
15	PDN-712-121-15	JHVG712 G/BOX ADJUSTABLE BRACKET	1	35	PDN-712-121-35	USE PDN-712-121-37	1
16	PDN-712-121-16	JHVG712 G/BOX KEY 6X18	1	36	PDN-712-121-36	USE PDN-712-121-37	1
17	PDN-712-121-17	JHVG712 G/BOX HEX SKT CAP SCREW	3	37	PDN-712-121-37	JHVG712 G/BOX PLASTIC HNDL W/#35-40	1
18	PDN-712-121-18	JHVG712 G/BOX DRAIN PLUG	1	38	PDN-712-121-38	USE PDN-712-121-37	1
19	PDN-712-121-19	JHVG712 G/BOX C-RING S-20	1	39	PDN-712-121-39	USE PDN-712-121-37	1
20	PDN-712-121-20	JHVG712 G/BOX WORM GEAR	1	40	PDN-712-121-40	USE PDN-712-121-37	1