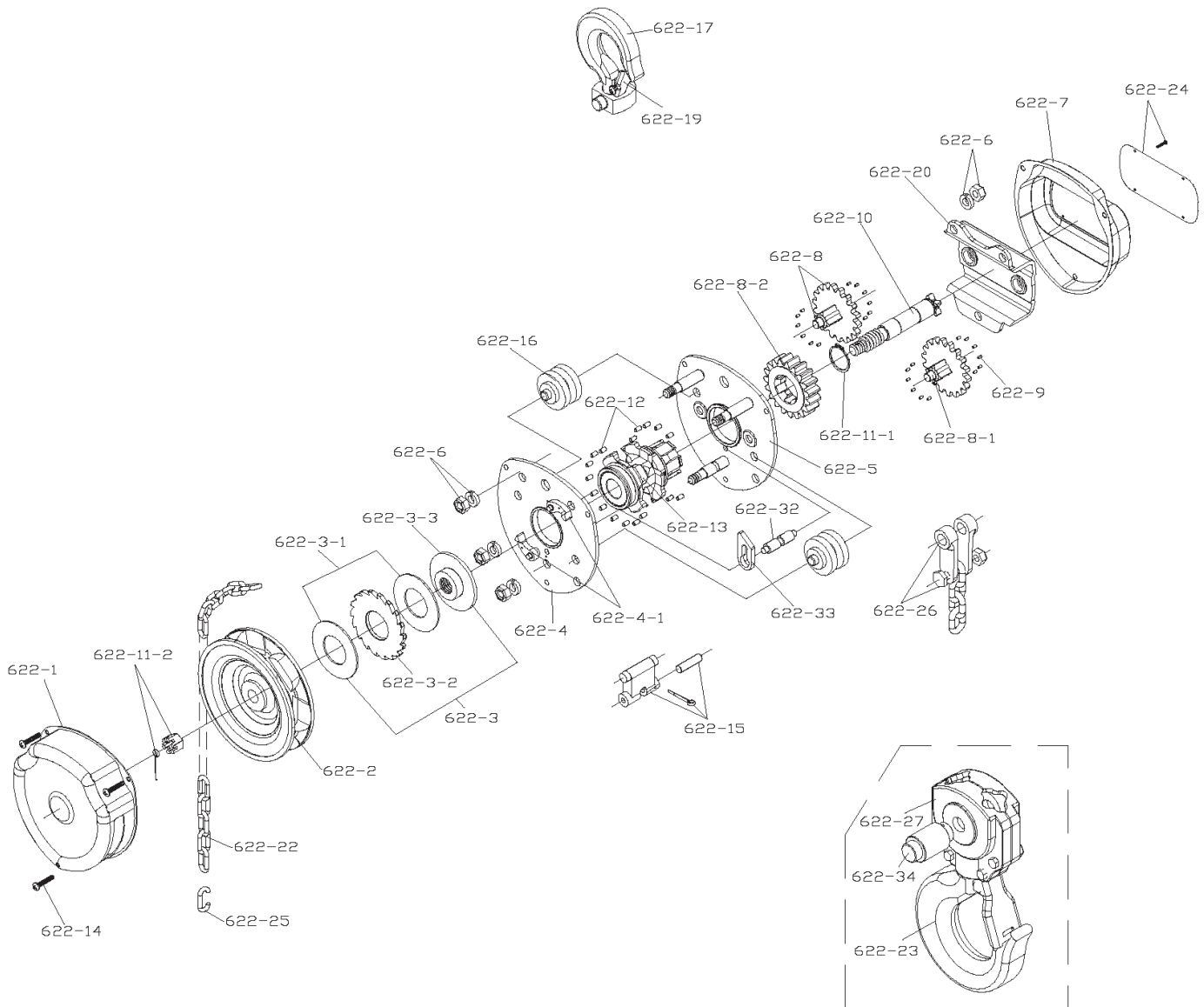


# VCH Series Chain Hoist

Prod. No. 101042, 101046



# VCH Series Chain Hoist

Prod. No. 101042, 101046

Ref.	Part Number	Description	Req.
622-1	PVI-VCH30-622-1	Handwheel Cover	1
622-2	PVI-VCH30-622-2	Handwheel	1
622-3	PVI-VCH30-622-3	Brake Set (Includes 2 x 622-3-1, 622-3-2 and 622-3-3)	1
622-3-1	PVI-VCH30-622-3-1	Friction Washer (1 Set = 2 Pieces)	1
622-3-2	PVI-VCH30-622-3-2	Ratchet Disc	1
622-4	PVI-VCH30-622-4	Handwheel Side Plate (Includes Bearing Race and 622-4-1)	1
622-4-1	PVI-VCH30-622-4-1	Pawl and Pawl Spring	1
622-5	PVI-VCH30-622-5	Gear Side Plate (Includes 2 Bushings and 3 Studs)	1
622-6	PVI-VCH30-622-6	Nut and Washer	6
622-7	PVI-VCH30-622-7	Gear Cover	1
622-8	PVI-VCH30-622-8	Gear Set (Includes 2 x 622-8-1 and 622-8-2)	1
622-8-1	PVI-VCH30-622-8-1	Disc Gear	2
622-8-2	PVI-VCH30-622-8-2	Splined Gear	1
622-9	PVI-VCH30-622-9	Gear Set Roller Kit (Needles)	1
622-10	PVI-VCH30-622-10	Pinion Shaft	1
622-11-1	PVI-VCH30-622-11-1	Lift Wheel Snap Ring	1
622-11-2	PVI-VCH30-622-11-2	Pinion Shaft Castle Nut and Slit Pin	1
622-12	PVI-VCH30-622-12	Liftwheel Roller Kit (1 Set = 2 Pieces)	1
622-13	PVI-VCH30-622-13	Liftwheel	1
622-14	PVI-VCH30-622-14	Studs for Cover	1 set
622-15	PVI-VCH30-622-15	Strippers	1
622-16	PVI-VCH30-622-16	Roller Guide (1 Set = 2 Pieces)	2
622-17	PVI-VCH30-622-17	Top Hook Assembly (Includes Hook, Hook Holder and 622-19)	1
622-19	PVI-VCH30-622-19	Safety Latch Kit (Includes Latch, Spring, Bolt and Nut)	1
622-20	PVI-VCH30-622-20	Gear Cage (Includes 2 Bushings)	1
622-23	PVI-VCH30-622-23	Bottom Hook Assembly (Includes 622-19, 622-34 and 622-23)	
622-24	PVI-VCH30-622-24	Name Plate	1
622-25	PVI-VCH30-622-25	Hand Chain Connecting Link	1
622-31	PVI-VCH30-622-31	Load Pin and Nut for Bottom Hook	1
622-32	PVI-VCH30-622-32	Chain Stripper Pin	1
622-33	PVI-VCH30-622-33	Chain Stripper	1