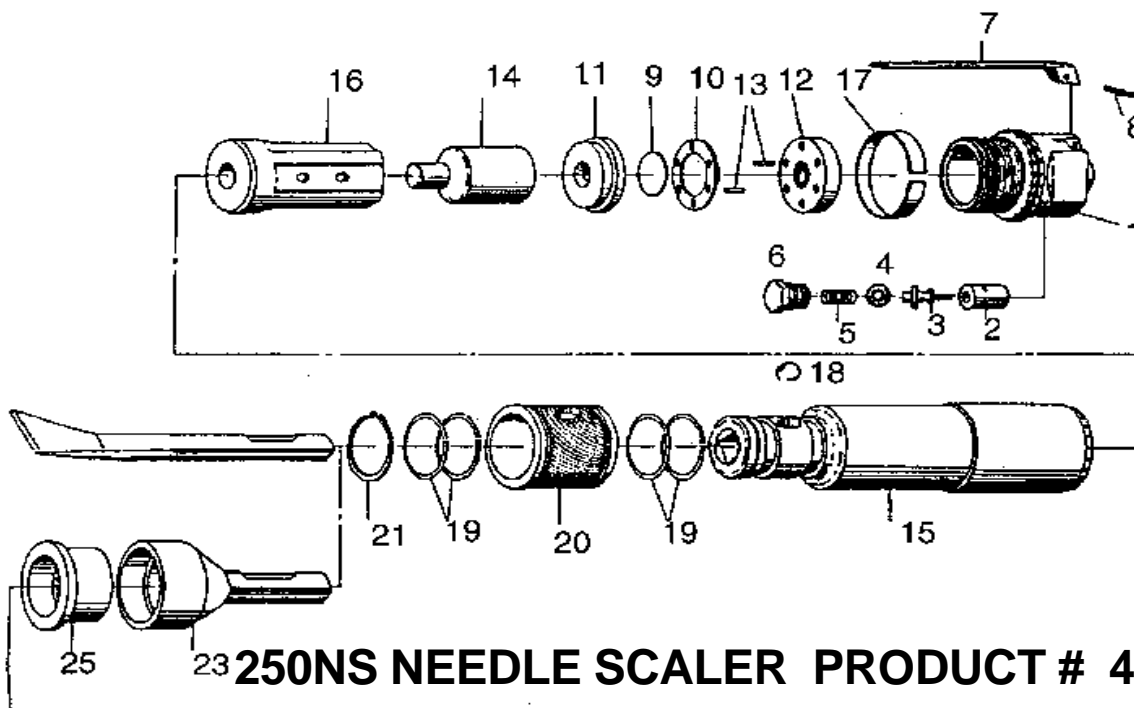


FC250 FLUX CHIPPER PRODUCT # 404203

250NS NEEDLE SCALER ATTACHMENT PRODUCT # 404213



250NS NEEDLE SCALER PRODUCT # 404213

REF	PART NUMBER	DESCRIPTION	REQ	REF	PART NUMBER	DESCRIPTION	REQ
1	PUT-FC250-1	CYLINDER CAP	1	12	PUT-FC250-12	LOWER MAIN VALVE	1
2	PUT-FC250-2	THROTTLE BUSHING	1	13	PUT-FC250-13	PIN (2.8X11)	2
3	PUT-FC250-3	THROTTLE ROD	1	14	PUT-FC250-14	PISTON	1
4	PUT-FC250-4	O-RING 3.8*19	1	15	PUT-FC250-15	CYLINDER BODY	1
5	PUT-FC250-5	SPRING (8X16)	1	16	PUT-FC250-16	PISTON SLEEVE	1
6	PUT-FC250-6	PLUG	1	17	PUT-FC250-17	LOCK RING	1
7	PUT-FC250-7	THROTTLE LEVER	1	18	PUT-FC250-18	BALL (7/16)	1
8	PUT-FC250-8	SPRING ROLL PIN (3X22)	1	19	PUT-FC250-19	O-RING	4
9	PUT-FC250-9	MAIN VALVE	1	20	PUT-FC250-20	CHISEL COVER	1
10	PUT-FC250-10	MAIN VALVE CASE	1	21	PUT-FC250-21	SPRING RING (S28)	1
11	PUT-FC250-11	UPPER MAIN VALVE	1				
23	PUT-FC250-23	NEEDLE SHANK	1	27	PUT-FC250-27	NEEDLE COVER	1
25	PUT-FC250-25	NEEDLE FLANGE	1	28	PUT-FC250-28	HEX SKT BOLT (M8X20)	2
26	PUT-FC250-26	SPRING (38X83)	1	29	PUT-FC250-29	SPRING WASHER (M8)	1