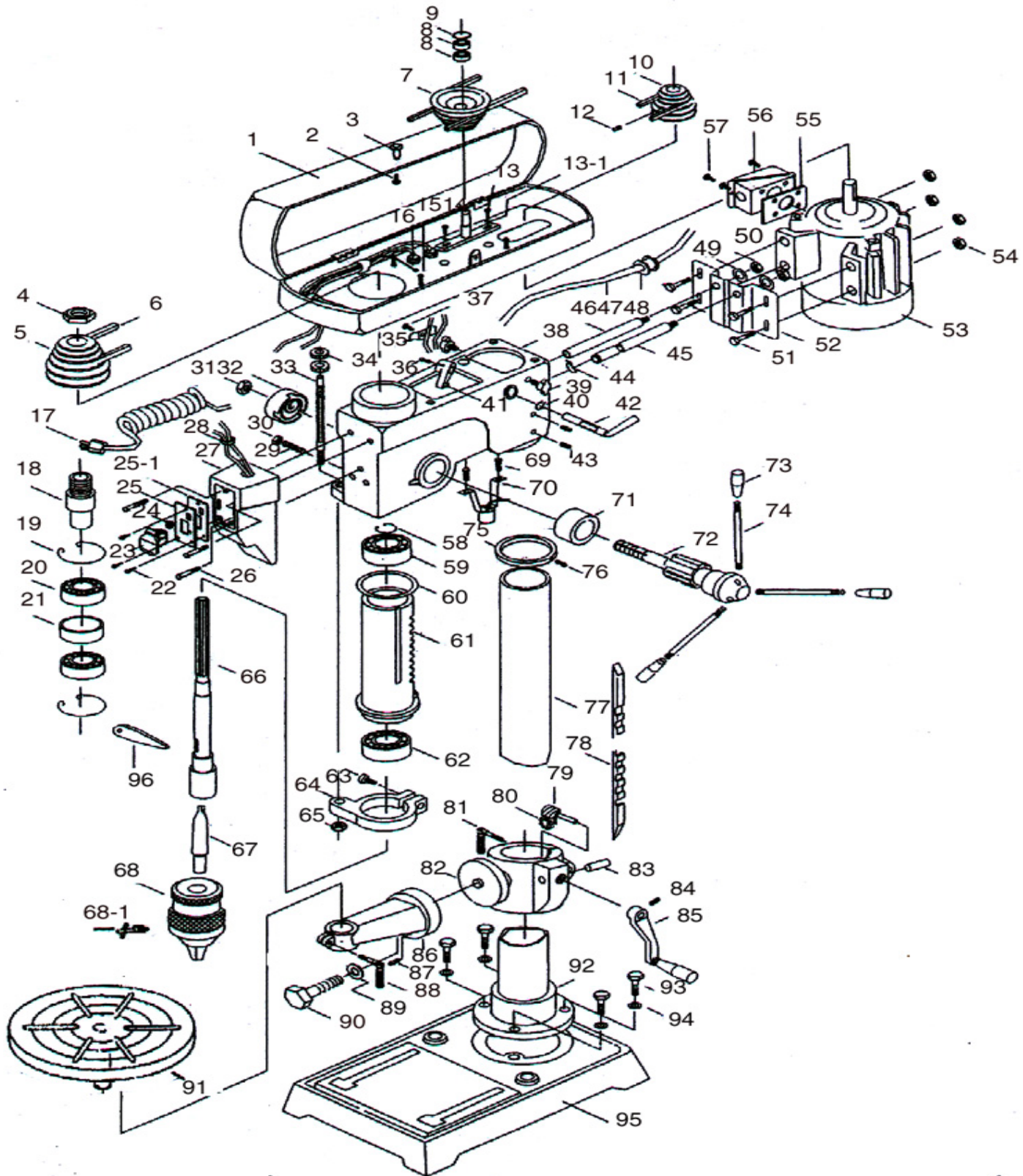


JDP-17F 17" FLOOR DRILL PRESS PRODUCT # 200278



JDP-17F 17" FLOOR DRILL PRESS PRODUCT # 200278

REF	PART NUMBER	DESCRIPTION	REQ	REF	PART NUMBER	DESCRIPTION	REQ
01	PDN-JDP-1701	GUARD COVER	1	48	PDN-JDP-1748	STRAIN RELIEF	1
02	PDN-JDP-1702	PAN HEAD SCREW	1	49	PDN-JDP-1749	SPRING WASHER	2
03	PDN-JDP-1703	KNOB	1	50	PDN-JDP-1750	NUT	2
04	PDN-JDP-1704	NUT	1	51	PDN-JDP-1751	HEX HEAD SCREW	4
05	PDN-JDP-1705	SPINDLE PULLEY	1	52	PDN-JDP-1752	MOTOR MOUNT	1
06	PDN-JDP-1706	V-BELT	1	53	PDN-JDP-1753	MOTOR	1
07	PDN-JDP-1707	MIDDLE PULLEY	1	54	PDN-JDP-1754	NUT	4
08	PDN-JDP-1708	BALL BEARING	2	55	PDN-JDP-1755	RUBBER	1
09	PDN-JDP-1709	RETAINING RING	1	56	PDN-JDP-1756	JUNCTION BOX	1
10	PDN-JDP-1710	MOTOR PULLEY	1	57	PDN-JDP-1757	SCREW	1
11	PDN-JDP-1711	V-BELT	1	58	PDN-JDP-1758	RETAINING RING	1
12	PDN-JDP-1712	SET SCREW	1	59	PDN-JDP-1759	BALL BEARING	1
13	PDN-JDP-1713	SCREW	2	60	PDN-JDP-1760	RUBBER WASHER	1
13-1	PDN-JDP-1713-1	WASHER	2	61	PDN-JDP-1761	QUILL	1
14	PDN-JDP-1714	PULLEY SUPPORT PLATE	1	61A	PDN-JDP-1761A	QUILL	1
15	PDN-JDP-1715	SCREW	2	62	PDN-JDP-1762	THRUST BEARING	1
16	PDN-JDP-1716	CORD PROTECT	1	63	PDN-JDP-1763	SCREW	1
17	PDN-JDP-1717	ELECTRICAL CORD	1	64	PDN-JDP-1764	CLAMPING SEAT DEPTH STOP	1
18	PDN-JDP-1718	PULLEY INSERT	1	65	PDN-JDP-1765	LOCK NUT	1
19	PDN-JDP-1719	RETAINING RING	2	66	PDN-JDP-1766	SPINDLE	1
20	PDN-JDP-1720	BALL BEARING	2	66A	PDN-JDP-1766A	SPINDLE LONGER	1
21	PDN-JDP-1721	BEARING SPACER	1	67	PDN-JDP-1767	ARBOR	1
22	PDN-JDP-1722	PAN HEAD SCREW	3	68	PDN-JDP-1768	CHUCK	1
22	PDN-JDP-1722A	PAN HEAD SCREW	3	68-1	PDN-JDP-1768-1	KEY	1
23	PDN-JDP-1723	START/STOP SWITCH	1	69	PDN-JDP-1769	SCREW	2
23A	PDN-JDP-1723A	START/STOP SWITCH	1	70	PDN-JDP-1770	LAMP BRACKET	1
24	PDN-JDP-1724	LIGHT SWITCH PUSH BUTTON	1	71	PDN-JDP-1771	SPACER	1
24A	PDN-JDP-1724A	LIGHT SWITCH PUSH BUTTON	1	72	PDN-JDP-1772	PINION, FEED	1
25	PDN-JDP-1725	SWITCH PLATE	1	73	PDN-JDP-1773	KNOB	3
25A	PDN-JDP-1725A	SWITCH PLATE	1	73A	PDN-JDP-1773A	KNOB	3
25-1	PDN-JDP-1725-1	RUBBER	1	74	PDN-JDP-1774	HANDLE	3
25-1A	PDN-JDP-1725-1A	RUBBER	1	74A	PDN-JDP-1774A	HANDLE (235MM)	3
26	PDN-JDP-1726	PAN HEAD SCREW	3	75	PDN-JDP-1775	RACK COLLAR	1
27	PDN-JDP-1727	BOX SWITCH PLATE	1	76	PDN-JDP-1776	SET SCREW	1
28	PDN-JDP-1728	CORD CLAMP	1	77	PDN-JDP-1777	COLUMN	1
29	PDN-JDP-1729	BOLT	1	78	PDN-JDP-1778	RACK GEAR	1
30	PDN-JDP-1730	HEX. NUT	1	79	PDN-JDP-1779	ELEVATING WORM	1
31	PDN-JDP-1731	HEX. NUT	1	80	PDN-JDP-1780	GEAR	1
32	PDN-JDP-1732	TENSION SPRING ASS'Y	1	81	PDN-JDP-1781	BOLT CLAMP	1
33	PDN-JDP-1733	POST DEPTH STOP	1	82	PDN-JDP-1782	TABLE ARM BRACKET	1
34	PDN-JDP-1734	LOCK NUT	2	83	PDN-JDP-1783	GEAR SHAFT	1
35	PDN-JDP-1735	CORD CLAMP	1	84	PDN-JDP-1784	SET SCREW	1
36	PDN-JDP-1736	LOCK PIN	1	85	PDN-JDP-1785	SLEEVE AND ROD ASS'Y	1
37	PDN-JDP-1737	SCREW	1	86	PDN-JDP-1786	TABLE BRACKET	1
38	PDN-JDP-1738	HEAD	1	87	PDN-JDP-1787	SET SCREW	1
39	PDN-JDP-1739	THUMB SCREW	1	88	PDN-JDP-1788	TABLE LOCK HANDLE	1
40	PDN-JDP-1740	RETAINING RING	1	89	PDN-JDP-1789	WASHER	1
41	PDN-JDP-1741	ADJUSTING LEVER	1	90	PDN-JDP-1790	BLOT	1
42	PDN-JDP-1742	LEVER SHAFT ASS'Y	1	91	PDN-JDP-1791	TABLE	1
43	PDN-JDP-1743	SET SCREW	2	92	PDN-JDP-1792	FLANGE	1
44	PDN-JDP-1744	RETAINING RING	1	93	PDN-JDP-1793	BOLT	4
45	PDN-JDP-1745	MOTOR SUPPORT BRACKET	1	94	PDN-JDP-1794	SPRING WASHER	4
46	PDN-JDP-1746	MOTOR SUPPORT BRACKET	1	95	PDN-JDP-1795	BAKE	1
47	PDN-JDP-1747	ELECTRICAL CORD	1	96	PDN-JDP-1796	DRIFT KEY	1