

## Installation / Operating / Maintenance Instructions

### Filter - Regulator - Lubricator, Modular

**Prod. No. 408852, 408855, 408856**  
**Specifications**

This modular FRLM unit consists of a filter, regulator and lubricator, assembled using a piping adaptor (1), wall mounting bracket (2) and spacers, etc.

For details of (a) specifications, (b) installation, (c) operating and (d) maintenance, refer to the instruction sheets of the individual items.

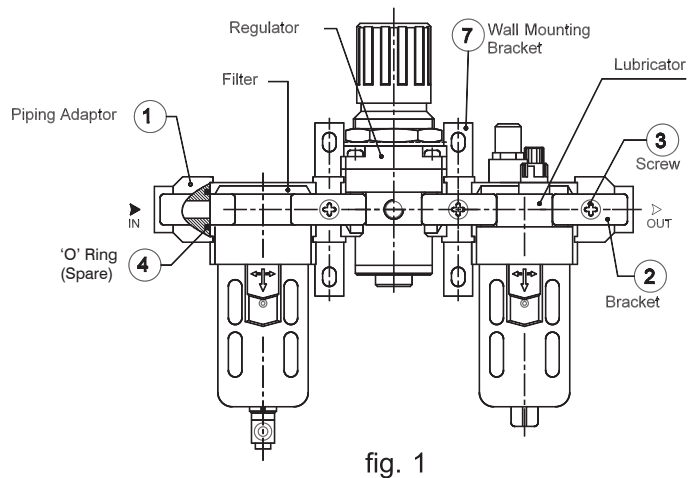


fig. 1

Model No	Filter Model No	Regulator Model No	Lubricator Model No	Piping Adaptor assembly ( 1 )	Wall Mounting Bracket assembly ( 7 )
AFRLMM14	AFM14	ARM14	ALM14	A2P0...	A2W01
AFRLMM38	AFI38	ARI38	ALI38	A2P0...	A2W02
AFRLMS12	AFS12	ARS12	ALS12	A2P0...	A2W03

### Important

Since this equipment is used in compressed air line, proper precautions are to be taken for safety.

### Installation of Modular unit

1. Dismantle the Piping adaptor ( 1 ) from the assembly.
2. Assemble the Piping adaptor on to the rigid pipeline OR to the threaded fitting (as the case may be) using correct wrench.
3. Reassemble the Modular units by stacking and tightening the screws.

Caution :

When the pipes or fittings are assembled on the modular unit, without removing the piping adaptor from the assembly, ensure the following:

- (a). Hold the Piping Adaptor ( 1 ) using correct size wrench and tighten the pipes or fittings at both ends.
- (b). Ensure that the tightening load is NOT transmitted to the FRL assembly. Otherwise the guide ribs provided in the Spacers and Piping Adaptors may be damaged.

### Removal of the individual unit from the line

1. Remove the screws ( 3 ) and brackets ( 2 ) adjacent to the unit to be removed.
2. Pull out the unit by sliding away from the line.

### Reassembly of the unit

1. Apply NLGI Grade 2 grease on the surface of the 'O' ring (4) and on the sliding faces.
2. Reassemble the unit by sliding between the guide ribs.
3. Tighten the brackets ( 2 ) using the screws ( 3 ).

### How to order spare parts:

Mention the spare parts and model numbers as given in the tables.

Example: 'O' ring 650011 for AFRLMM14

Subject to change

## Assembly / Spare Parts List

### Filter - Regulator - Lubricator, Modular

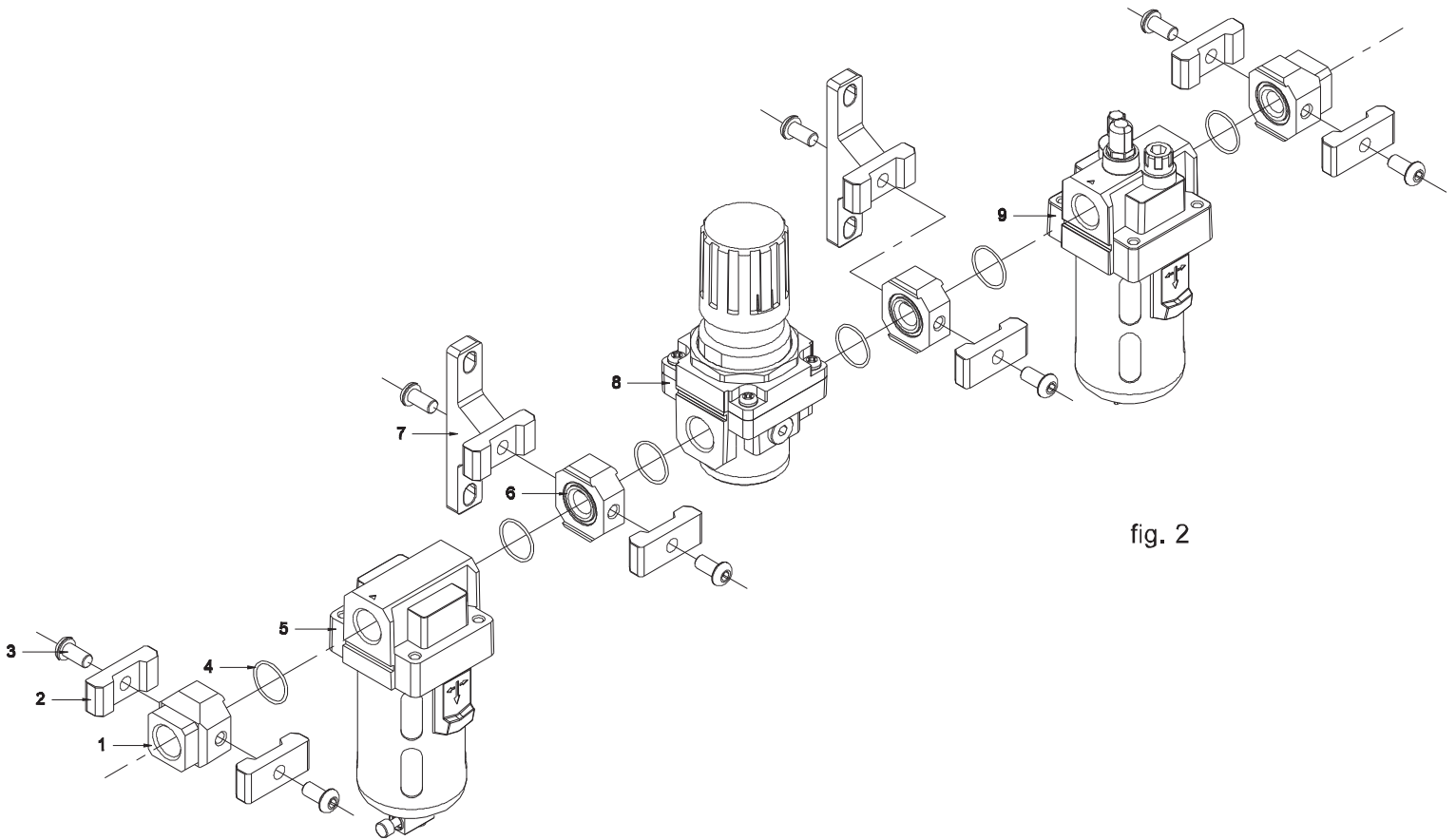


fig. 2

Ref. No.	No. off.	Part Name	Ordering No. for		
			AFRLMM14	AFRLMI38	AFRLMS12
1	2	Piping Adaptor	-	-	-
2	6	Bracket	-	-	-
3	8	Philip Head Screw	-	-	-
4	6	'O' Ring	650011	650013	650014
5	1	Filter Regulator Assembly	-	-	-
6	2	Spacer	-	-	-
7	2	Wall Mounting Bracket	-	-	-
8	1	Regulator Assembly	-	-	-
9	1	Lubricator Assembly	-	-	-