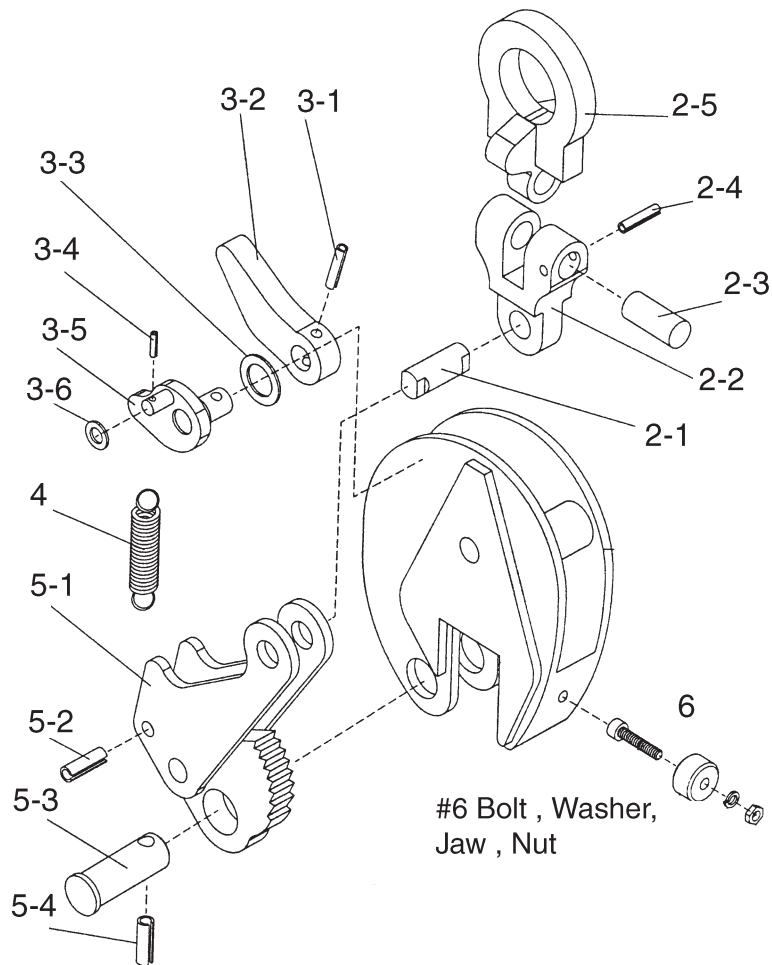


Sumo Plate Clamps SPCU 50,100,200,300,Prod #109322,3,5,7



REF DESCRIPTION	PART NUMBER	PART NUMBER	PART NUMBER	PART NUMBER
2-1 GUIDE PIN	PWC-SPCU-502-1	PWC-SPCU-1002-1	PWC-SPCU-2002-1	PWC-SPCU-3002-1
2-2 SHACKLE	PWC-SPCU-502-2	PWC-SPCU-1002-2	PWC-SPCU-2002-2	PWC-SPCU-3002-2
2-3 SHACKLE AXLE	PWC-SPCU-502-3	PWC-SPCU-1002-3	PWC-SPCU-2002-3	PWC-SPCU-3002-3
2-4 SHACKLE ROLL-PIN	PWC-SPCU-502-4	PWC-SPCU-1002-4	PWC-SPCU-2002-4	PWC-SPCU-3002-4
2-5 LIFTING EYE	PWC-SPCU-502-5	PWC-SPCU-1002-5	PWC-SPCU-2002-5	PWC-SPCU-3002-5
3-1 LOCK LEVER ROLL-PIN	PWC-SPCU-503-1	PWC-SPCU-1003-1	PWC-SPCU-2003-1	PWC-SPCU-3003-1
3-2 LOCK LEVER	PWC-SPCU-503-2	PWC-SPCU-1003-2	PWC-SPCU-2003-2	PWC-SPCU-3003-2
3-3 LARGE SPACER	PWC-SPCU-503-3	PWC-SPCU-1003-3	PWC-SPCU-2003-3	PWC-SPCU-3003-3
3-4 ROLL-PIN	PWC-SPCU-503-4	PWC-SPCU-1003-4	PWC-SPCU-2003-4	PWC-SPCU-3003-4
3-5 EDGE CAM ASSY.	PWC-SPCU-503-5	PWC-SPCU-1003-5	PWC-SPCU-2003-5	PWC-SPCU-3003-5
3-6 LITTLE SPACER	PWC-SPCU-503-6	PWC-SPCU-1003-6	PWC-SPCU-2003-6	PWC-SPCU-3003-6
4 SPRING	PWC-SPCU-504	PWC-SPCU-1004	PWC-SPCU-2004	PWC-SPCU-3004
5-1 FINGER CAM- ASSY.	PWC-SPCU-505-1	PWC-SPCU-1005-1	PWC-SPCU-2005-1	PWC-SPCU-3005-1
5-2 SPRING ROLL-PIN	PWC-SPCU-505-2	PWC-SPCU-1005-2	PWC-SPCU-2005-2	PWC-SPCU-3005-2
5-3 CAM AXLE	PWC-SPCU-505-3	PWC-SPCU-1005-3	PWC-SPCU-2005-3	PWC-SPCU-3005-3
5-4 CAM PIN	PWC-SPCU-505-4	PWC-SPCU-1005-4	PWC-SPCU-2005-4	PWC-SPCU-3005-4
6 JAW ASSY	PWC-SPCU-506	PWC-SPCU-1006	PWC-SPCU-2006	PWC-SPCU-3006