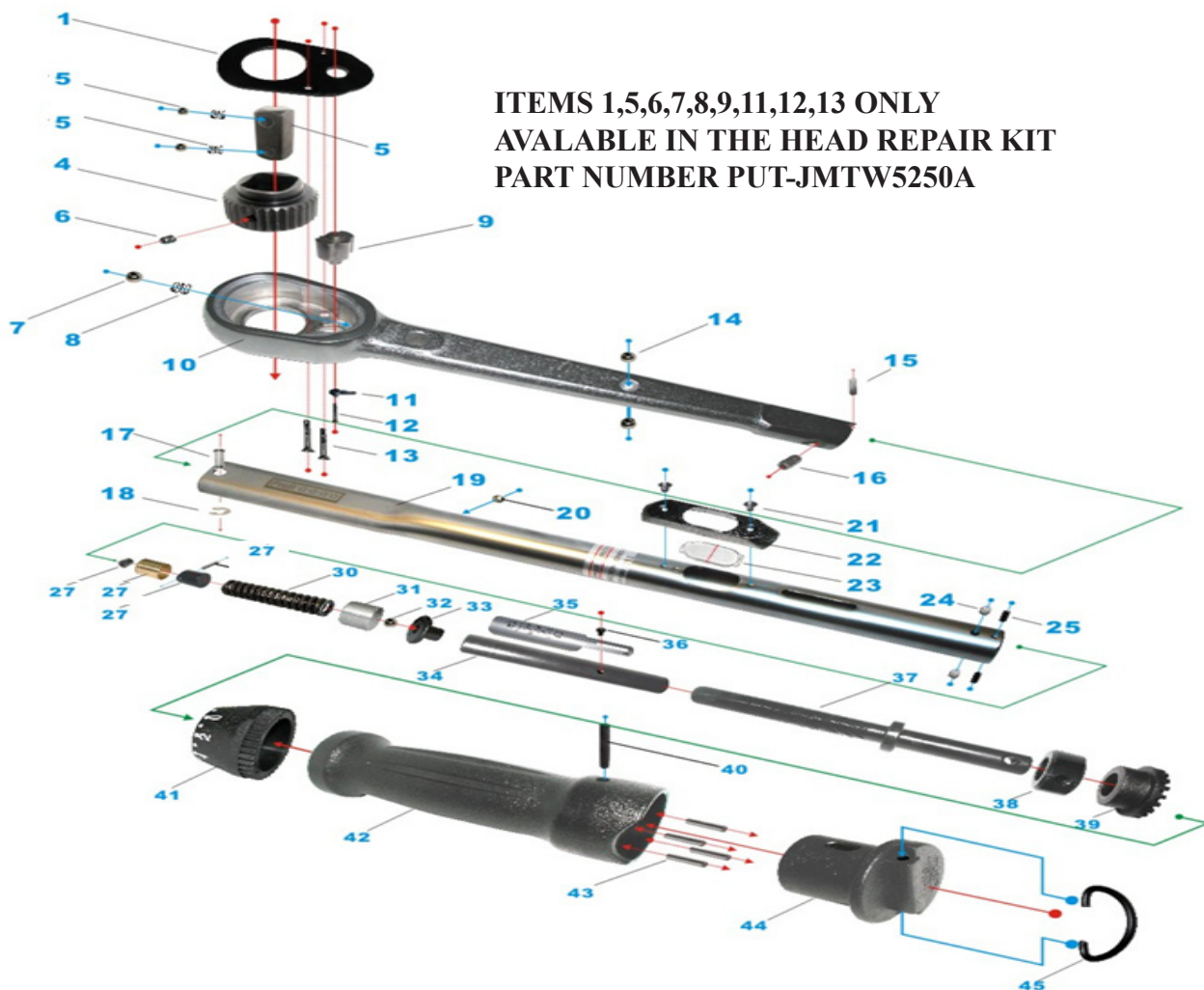


JMTW5250A MICROMETER TORQUE WRENCH PRODUCT # 719069



REF	PART NUMBER	DESCRIPTION	REF	PART NUMBER	DESCRIPTION
14	PUT-JMTW5250A-14	BALL	32	PUT-JMTW5250A-32	BALL
15	PUT-JMTW5250A-15	DOWEL PIN	33	PUT-JMTW5250A-33	STAND FOR LINER TUBE
16	PUT-JMTW5250A-16	SCREW	34	PUT-JMTW5250A-34	PRO PULSIVE POST
17	PUT-JMTW5250A-17	NECK PIN	35	PUT-JMTW5250A-35	TORQUE SCALE PLATE
18	PUT-JMTW5250A-18	E RING	36	PUT-JMTW5250A-36	SET SCREW
19	PUT-JMTW5250A-19	TUBE LEVER	37	PUT-JMTW5250A-37	ADJUSTABLE SCREW
20	PUT-JMTW5250A-20	SCREW	38	PUT-JMTW5250A-38	BUSHING
21	PUT-JMTW5250A-21	SCREW	39	PUT-JMTW5250A-39	LOCKING SCALE WHELL
22	PUT-JMTW5250A-22	SHIELD OF SCALE PLATE	40	PUT-JMTW5250A-40	DOWEL PIN
23	PUT-JMTW5250A-23	SCALE SHIELD	41	PUT-JMTW5250A-41	REVOLVING SCALE
24	PUT-JMTW5250A-24	DOWEL PIN OF BUSHING	42	PUT-JMTW5250A-42	PLASTIC HANDLE
25	PUT-JMTW5250A-25	SET SCREW	43	PUT-JMTW5250A-43	NEEDLE PIN
27	PUT-JMTW5250A-27	ROLLER BRACKET ASSY	44	PUT-JMTW5250A-44	REV BUTTON
30	PUT-JMTW5250A-30	COMPRESSION SPRING	45	PUT-JMTW5250A-45	HANGING RING
31	PUT-JMTW5250A-31	LINER TUBE			