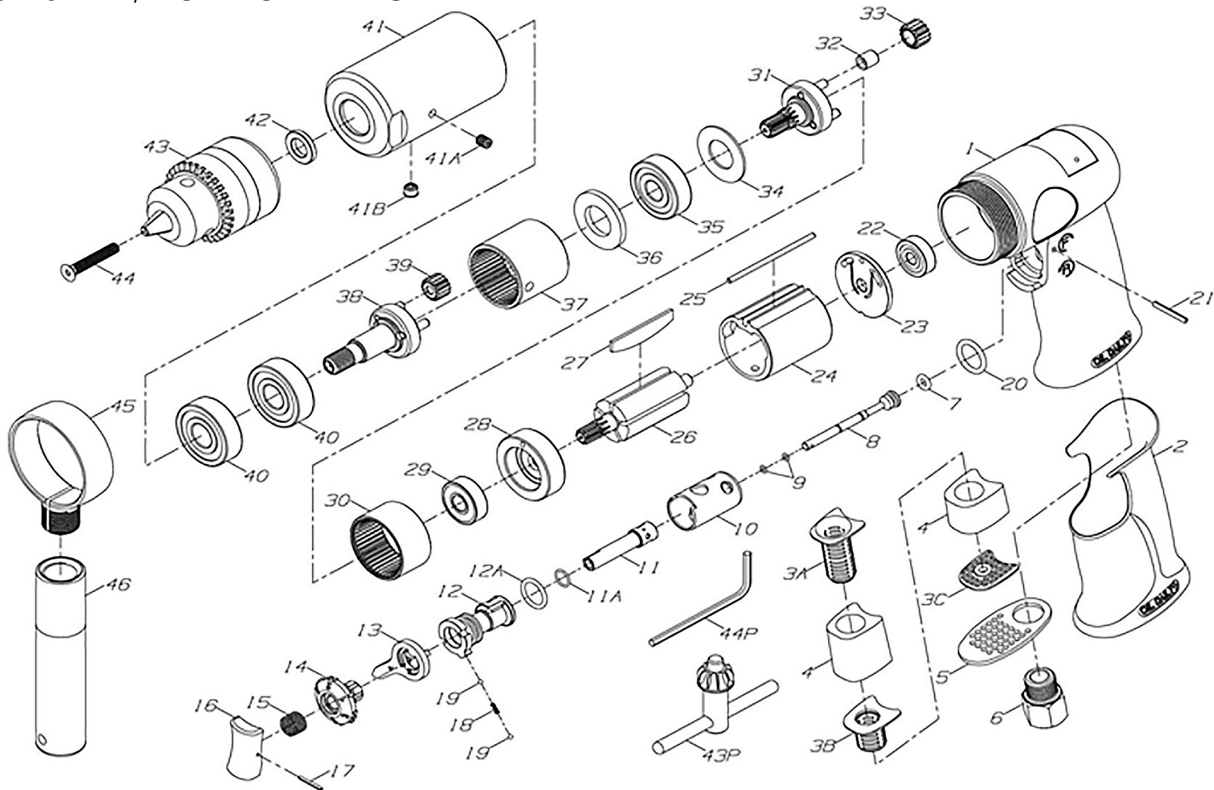


# 1/2" VARIABLE SPEED AIR DRILL

PROD. NO. 404443 / MOD. NO. AD12VSRK

PROD. NO. 404444 / MOD. NO. AD12VSR



REF	PART NUMBER	DESCRIPTION	REQ	REF	PART NUMBER	DESCRIPTION	REQ	REF	PART NUMBER	DESCRIPTION	REQ
1	PDN-AD12VSR-01	MOTOR HOUSING	1	15	PDN-AD12VSR-15	VALVE SPRING	1	34	PDN-AD12VSR-34	SPACER	1
2	PDN-AD12VSR-02	HOUSING SLEEVE	1	16	PDN-AD12VSR-16	TRIGGER	1	35	PDN-AD12VSR-35	BALL BEARING	1
3A	PDN-AD12VSR-03A	LONG EXHAUST DEFLECTOR	1	17	PDN-AD12VSR-17	PIN	1	36	PDN-AD12VSR-36	SPACER	1
3B	PDN-AD12VSR-03B	SHORT EXHAUST DEFLECTOR	1	18	PDN-AD12VSR-18	SPRING	1	37	PDN-AD12VSR-37	INTERNAL GEAR	1
3C	PDN-AD12VSR-03C	EXHAUST SPACER	1	19	PDN-AD12VSR-19	STEEL BALL	2	38	PDN-AD12VSR-38	PLANET CARRIER	1
4	PDN-AD12VSR-04	MUFFLER	3	20	PDN-AD12VSR-20	O-RING	1	39	PDN-AD12VSR-39	PLANET GEAR	3
5	PDN-AD12VSR-05	EXHAUST WASHER	1	21	PDN-AD12VSR-21	PIN	1	40	PDN-AD12VSR-40	BALL BEARING	2
6	PDN-AD12VSR-06	INLET BUSHING	1	22	PDN-AD12VSR-22	BALL BEARING	1	41	PDN-AD12VSR-41	CLAMP NUT	1
7	PDN-AD12VSR-07	O-RING	1	23	PDN-AD12VSR-23	REAR END PLATE	1	41A	PDN-AD12VSR-41A	SET SCREW	1
8	PDN-AD12VSR-08	VALVE	1	24	PDN-AD12VSR-24	CYLINDER	1	41B	PDN-AD12VSR-41B	BALL CAP	1
9	PDN-AD12VSR-09	O-RING	2	25	PDN-AD12VSR-25	MOTOR PIN	1	42	PDN-AD12VSR-42	WASHER	1
10	PDN-AD12VSR-10	REVERSE VALVE BUSHING	1	26	PDN-AD12VSR-26	ROTOR	1	43	905796	KEY CHUCK	1
11	PDN-AD12VSR-11	REGULATOR	1	27	PDN-AD12VSR-27	ROTOR BLADE	5		905794	KEYLESS CHUCK	1
11A	PDN-AD12VSR-11A	O-RING	1	28	PDN-AD12VSR-28	BEARING CASE	1	43P	PDN-AD12VSR-43P	CHUCK KEY	1
12	PDN-AD12VSR-12	REVERSE VALVE	1	29	PDN-AD12VSR-29	BALL BEARING	1	44	PDN-AD12VSR-44	SCREW	1
12A	PDN-AD12VSR-12A	O-RING	1	30	PDN-AD12VSR-30	INTERNAL GEAR	1	44P	774759	ALLEN WRENCH	
13	PDN-AD12VSR-13	REVERSE POLE	1	31	PDN-AD12VSR-31	PLANET CARRIER	1	45	PDN-AD12VSR-45	HANDLE	1
14	PDN-AD12VSR-14	REVERSE BUTTON	1	32	PDN-AD12VSR-32	GEAR BUSHING	3	46	PDN-AD12VSR-46	CLAMP RING	1
				33	PDN-AD12VSR-33	PLANET GEAR	3				