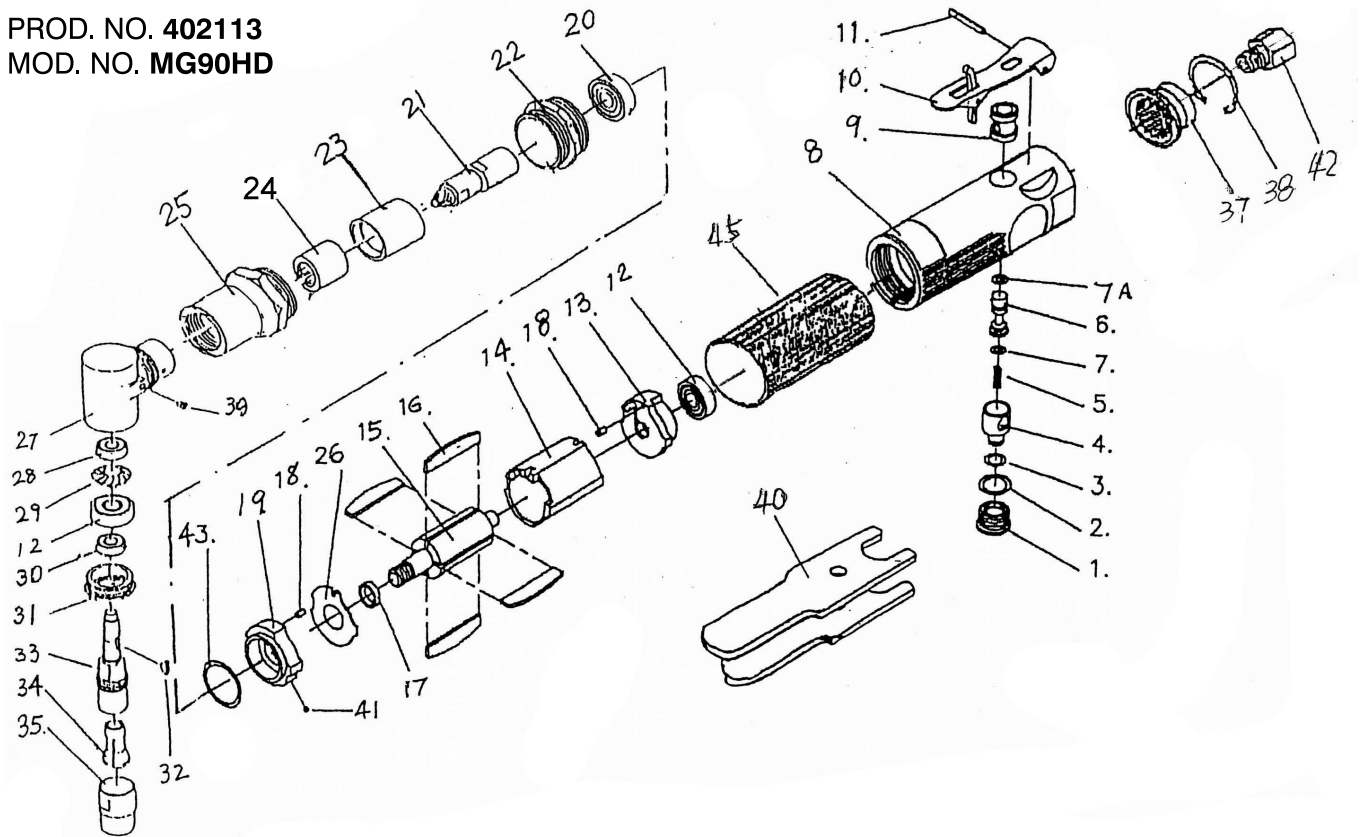


1/4" ANGLE DIE GRINDER

PROD. NO. 402113
MOD. NO. MG90HD



REF	PART NUMBER	DESCRIPTION	REQ	REF	PART NUMBER	DESCRIPTION	REQ
1	PUT-2012	MG90HD THROTTLE VALVE CAP	1	25	PUT-1023	MG90HD CAP	1
2	PUT-2057	MG90HD VALVE CAP O-RING	1	26	PUT-2651A	MG90HD STEEL PLATE	1
3	PUT-2056	MG90HD AIR REG O-RING	1	27	PUT-1024	MG90HD ANGLE HOUSING	1
4	PUT-2011	MG90HD AIR REGULATOR	1	28	PUT-0538	MG90HD BRG USE: PBR4	1
5	PUT-2015A	MG90HD VALVE SPRING	1	29	PUT-MG90HD-21A	MG90HD PINION BEV SET	1
6	PUT-2008	MG90HD VALVE STEM	1	30	PB6800-2Z	MG90HD BRG	1
7	PUT-2053	MG90HD O-RING	1	31	PUT-1025	MG90HD CLAMP NUT	1
8	PUT-2260	MG90HD MOTOR HOUSING	1	32	PUT-1062	MG90HD KEY	1
9	PUT-2007	MG90HD VALVE BUSHING	1	33	PUT-1029A	MG90HD SPINDLE	1
10	PUT-1019	MG90HD SAFETY LEVER	1	34	PUT-0308A	MG90HD 1/4" COLLET	1
11	PUT-1042	MG90HD LEVER PIN	1	34B	PUT-0308B	MG90HD 1/8" COLLET	1
12	PB608-2RS	MG90HD BRG	2	34C	PUT-0308C	MG90HD 1/8" COLLET SLEEVE	1
13	PUT-7148	MG90HD BEARING PLATE	1	35	PUT-1058A	MG90HD COLLET NUT	1
14	PUT-2002A	MG90HD CYLINDER	1	36	PUT-1838	MG90HD O-RING	1
15	PUT-7005	MG90HD ROTOR	1	37	PUT-2685	MG90HD MUFFLER	1
16	PUT-2006	MG90HD ROTOR BLADE	4	38	PUT-2690	MG90HD RETAINING RING	1
17	PUT-2017	MG90HD SPACER	1	39	PUT-1356	MG90HD GREASE FITTING	1
18	PUT-1014	MG90HD LOCATING PIN	2	40	PUT-140807	MG90HD WRENCH (11 MM)	1
19	PUT-2651	MG90HD BEARING PLATE	1	40A	PUT-140801	MG90HD WRENCH (17 MM)	1
20	PB6000-2Z	MG90HD BRG	1	41	PUT-2964A	MG90HD STEEL BALL	1
21	PUT-MG90HD-21A	MG90HD PINION BEV SET	1	42	PUT-2695	MG90HD AIR INLET	1
22	PUT-2445	MG90HD CAP NUT	1	43	PUT-2696	MG90HD SHIM PACK	1
23	PUT-1210A	MG90HD BRG SPACER	1	45	PUT-MG90HD-45	HOUSING COVER	1
24	PUT-1210B	MG90HD NEED BEARING	1				