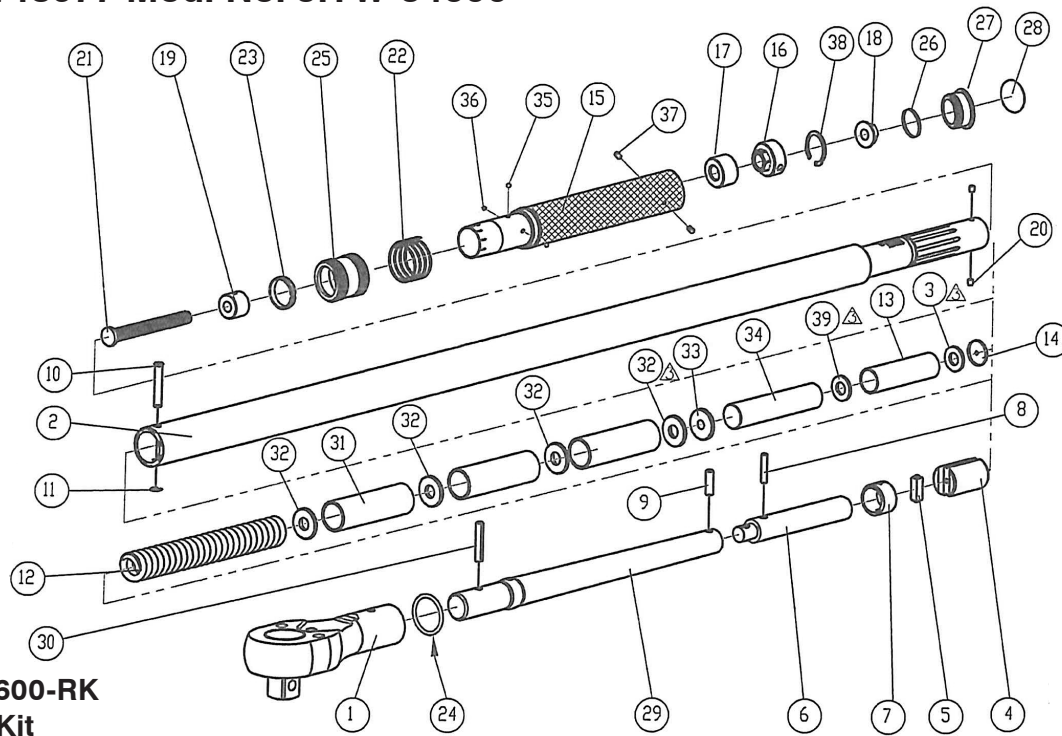


3/4" DR Industrial Torque Wrench

Prod. No. 718977 Mod. No. JITW-34600



PDN-JITW34600-RK Head Repair Kit

Ref.	Part Number	Description	Ref.	Part Number	Description
1	PDN-JITW34600-01	Ratchet Body Assembly	20	PDN-JITW34600-20	Insert Retaining Pin
2	PDN-JITW34600-02	Steel Tube	21	PDN-JITW34600-21	Adjustment Shaft
3	PDN-JITW34600-03	Spring Shim	22	PDN-JITW34600-22	Lock Ring Spring
4	PDN-JITW34600-04	Cam	23	PDN-JITW34600-23	Nylon Bearing
5	PDN-JITW34600-05	Pawl	24	PDN-JITW34600-24	Rubber Seal
6	PDN-JITW34600-06	Click Arm	25	PDN-JITW34600-25	Lock Ring
7	PDN-JITW34600-07	Fulcrum	26	PDN-JITW34600-26	O-Ring For End Cap
8	PDN-JITW34600-08	Fulcrum Point Pin	27	PDN-JITW34600-27	End Cap
9	PDN-JITW34600-09	Arm Pivot Pin	28	PDN-JITW34600-28	Poly
10	PDN-JITW34600-10	Head Pivot Pin	29	PDN-JITW34600-29	Ratchet Body Joint Arm
11	PDN-JITW34600-11	C-Clip	30	PDN-JITW34600-30	Joint Arm Pivot Pin
12	PDN-JITW34600-12	Scale Spring	31	PDN-JITW34600-31	Spacer
13	PDN-JITW34600-13	Spacer	32	PDN-JITW34600-32	Spring Shim
14	PDN-JITW34600-14	Thrust Shim	33	PDN-JITW34600-33	Thrust Shim
15	PDN-JITW34600-15	Handle Knurling Ass	34	PDN-JITW34600-34	Spacer
16	PDN-JITW34600-15	Handle Lock Insert	35	PDN-JITW34600-35	Ball 3.5mm
17	PDN-JITW34600-17	M10 Nut	36	PDN-JITW34600-36	Ball 2.7mm
18	PDN-JITW34600-18	Flange Nut	37	PDN-JITW34600-15	Pin
19	PDN-JITW34600-19	Tube Insert	38	PDN-JITW34600-15	Snap Ring
			39	PDN-JITW34600-39	Spring Shim