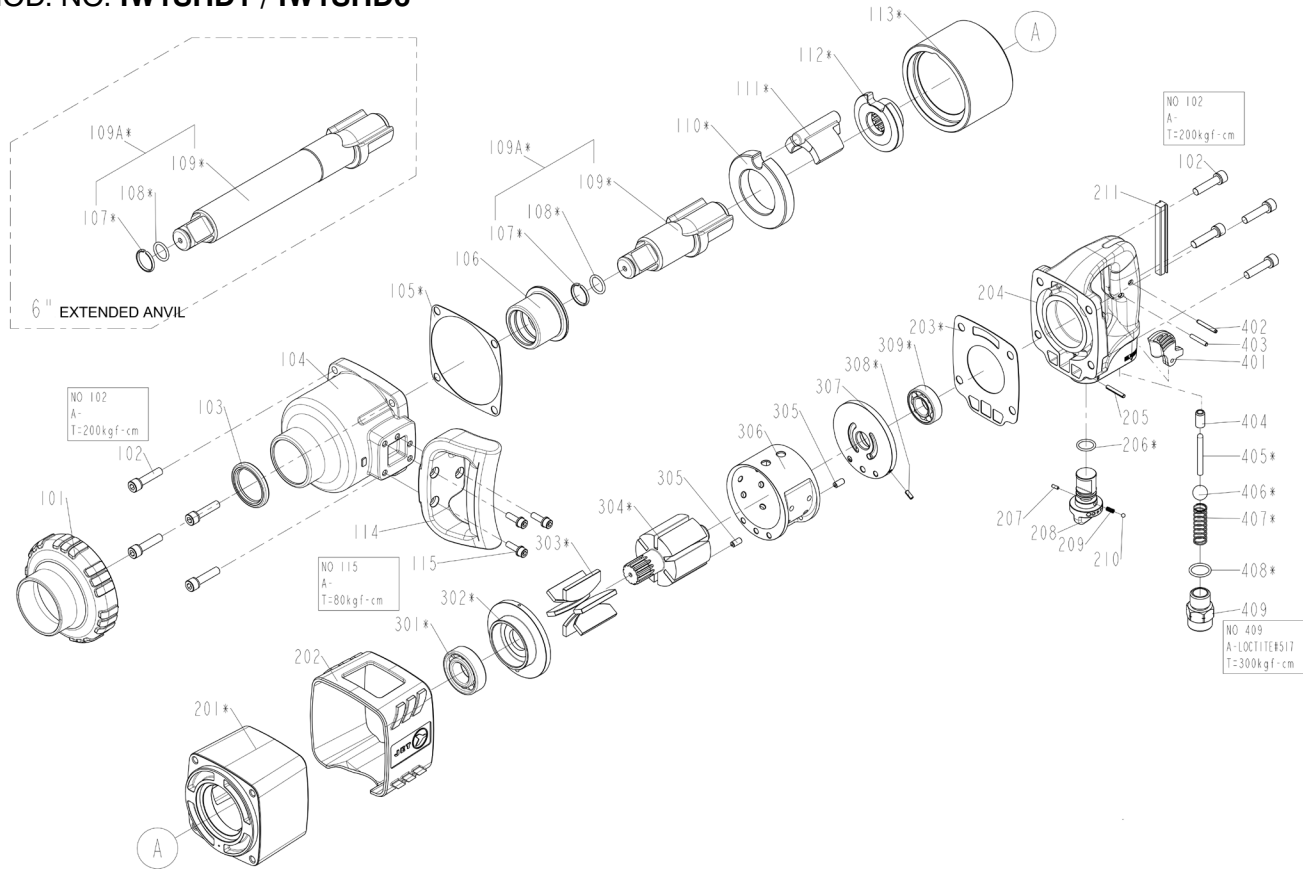


# 1" DRIVE IMPACT WRENCH

PROD. NO. 400449 / 400450

MOD. NO. IW1SHD1 / IW1SHD6



REF	PRODUCT NUMBER	DESCRIPTION	REQ	REF	PRODUCT NUMBER	DESCRIPTION	REQ
101	PBI-IW1SHD1-101	PROTECTOR	1	207	PBI-IW1SHD1-207	SPRING PIN	1
102	PBI-IW1SHD1-102	BOLT ASSY	8	208	PBI-IW1SHD1-208	REVERSE VALVE	1
103	PBI-IW1SHD1-103	OIL SEAL	1	209	PBI-IW1SHD1-209	SPRING	1
104	PBI-IW1SHD1-104	HOUSING	1	210	PBI-IW1SHD1-210	BALL	1
105	PBI-IW1SHD1-105	HAMMER CASE GASKET	1	211	PBI-IW1SHD1-211	PROTECTOR	1
106	PBI-IW1SHD1-106	HAMMER CASE BUSHING	1	301	PBI-IW1SHD1-301	BEARING	1
107	PBI-IW1SHD1-107	SOCKET RETAINER	1	302	PBI-IW1SHD1-302	FRONT END PLATE	1
108	PBI-IW1SHD1-108	O - RING	1	303	PBI-IW1SHD1-303	BLADES	6
109A	PBI-IW1SHD6-109A	6" ANVIL UNIT	1	304	PBI-IW1SHD1-304	ROTOR	1
109A	PBI-IW1SHD1-109A	1 "ANVIL UNIT	1	305	PBI-IW1SHD1-305	SPRING PIN	1
110	PBI-IW1SHD1-110	WASHER	1	306	PBI-IW1SHD1-306	CYLINDER	1
111	PBI-IW1SHD1-111	HAMMER	1	307	PBI-IW1SHD1-307	REAR BEARING PLATE	1
112	PBI-IW1SHD1-112	HAMMER CAM	1	308	PBI-IW1SHD1-308	SPRING PIN	1
113	PBI-IW1SHD1-113	HAMMER FRAME	1	309	PBI-IW1SHD1-309	BEARING	1
114	PBI-IW1SHD1-114	HANDLE	1	401	PBI-IW1SHD1-401	TRIGGER	1
115	PBI-IW1SHD1-115	BOLT ASSY	3	402	PBI-IW1SHD1-402	SPIRAL PIN	1
201	PBI-IW1SHD1-201	HOUSING	1	403	PBI-IW1SHD1-403	SPIRAL PINS	1
202	PBI-IW1SHD1-202	HOUSING PROTECTOR	1	404	PBI-IW1SHD1-404	BUSHING	1
203	PBI-IW1SHD1-203	REAR COVER GASKET	1	405	PBI-IW1SHD1-405	PIN	1
204	PBI-IW1SHD1-204	REAR COVER UNIT	1	406	PBI-IW1SHD1-406	SEAL PALL	1
205	PBI-IW1SHD1-205	SPRING PIN	1	407	PBI-IW1SHD1-407	SPRING	1
206	PBI-IW1SHD1-206	O - RING	1	408	PBI-IW1SHD1-408	O - RING	1
				409	PBI-IW1SHD1-409	AIR INLET	1