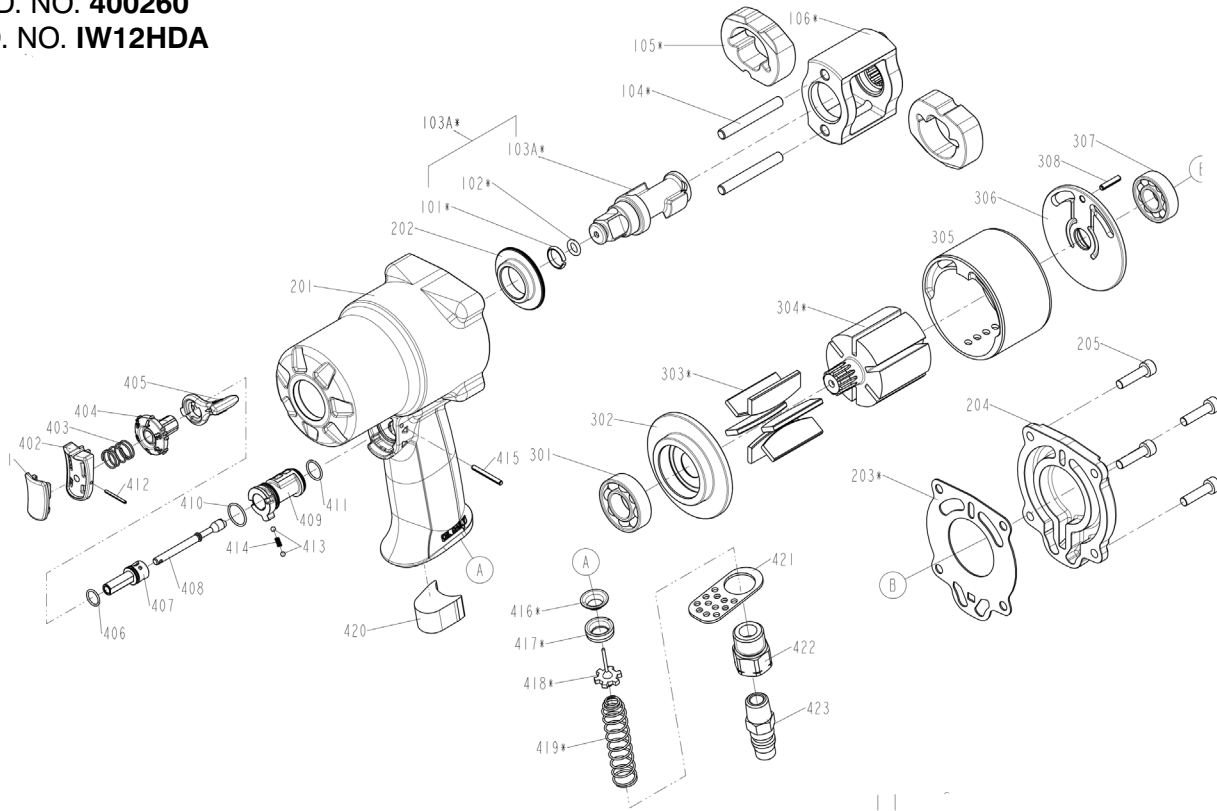


1/2" DRIVE IMPACT WRENCH

PROD. NO. 400260
MOD. NO. IW12HDA



REF	PART NUMBER	DESCRIPTION	REQ	REF	PART NUMBER	DESCRIPTION	REQ
101	PBI-IW12HDA-101	SOCKET RETAINER	1	403	PBI-IW12HDA-403	SPRING	1
102	PBI-IW12HDA-102	O - RING	1	404	PBI-IW12HDA-404	REGULATOR A	1
103A	PBI-IW12HDA-103A	ANVIL UNIT	1	405	PBI-IW12HDA-405	LEVER	1
104	PBI-IW12HDA-104	HAMMER PIN	2	406	PBI-IW12HDA-406	O - RING	1
105	PBI-IW12HDA-105	HAMMER	2	407	PBI-IW12HDA-407	REGULATOR B	1
106	PBI-IW12HDA-106	HAMMER FRAME	1	408	PBI-IW12HDA-408	TRIGGER TIP	1
201	PBI-IW12HDA-201	HOUSING	1	409	PBI-IW12HDA-409	REVERSE VALVE	1
202	PBI-IW12HDA-202	HAMMER CASE BUSHING	1	410	PBI-IW12HDA-410	O - RING	1
203	PBI-IW12HDA-203	REAR COVER GASKET	1	411	PBI-IW12HDA-411	O - RING	1
204	PBI-IW12HDA-204	REAR COVER	1	412	PBI-IW12HDA-412	SPRING PIN	1
205	PBI-IW12HDA-205	BOLT ASSY	4	413	PBI-IW12HDA-413	BALL	1
301	PBI-IW12HDA-301	BEARING	1	414	PBI-IW12HDA-414	POSITIONING SPRING	1
302	PBI-IW12HDA-302	FRONT BEARING PLATE	1	415	PBI-IW12HDA-415	SPRING PIN	1
303	PBI-IW12HDA-303	BLADES	6	416	PBI-IW12HDA-416	SEAL BUSHING	1
304	PBI-IW12HDA-304	ROTOR	1	417	PBI-IW12HDA-417	SEAL	1
305	PBI-IW12HDA-305	CYLINDER	1	418	PBI-IW12HDA-418	TIP VALVE	1
306	PBI-IW12HDA-306	REAR END PLATE	1	419	PBI-IW12HDA-419	SPRING	1
307	PBI-IW12HDA-307	BEARING	1	420	PBI-IW12HDA-420	MUFFLER	1
308	PBI-IW12HDA-308	SPRING PIN	1	421	PBI-IW12HDA-421	EXHAUST DEFLECTOR	1
401	PBI-IW12HDA-401	TRIGGER B	1	422	PBI-IW12HDA-422	AIR INLET	1
402	PBI-IW12HDA-402	TRIGGER A	1	423	PBI-IW12HDA-423	AIR PLUG	1