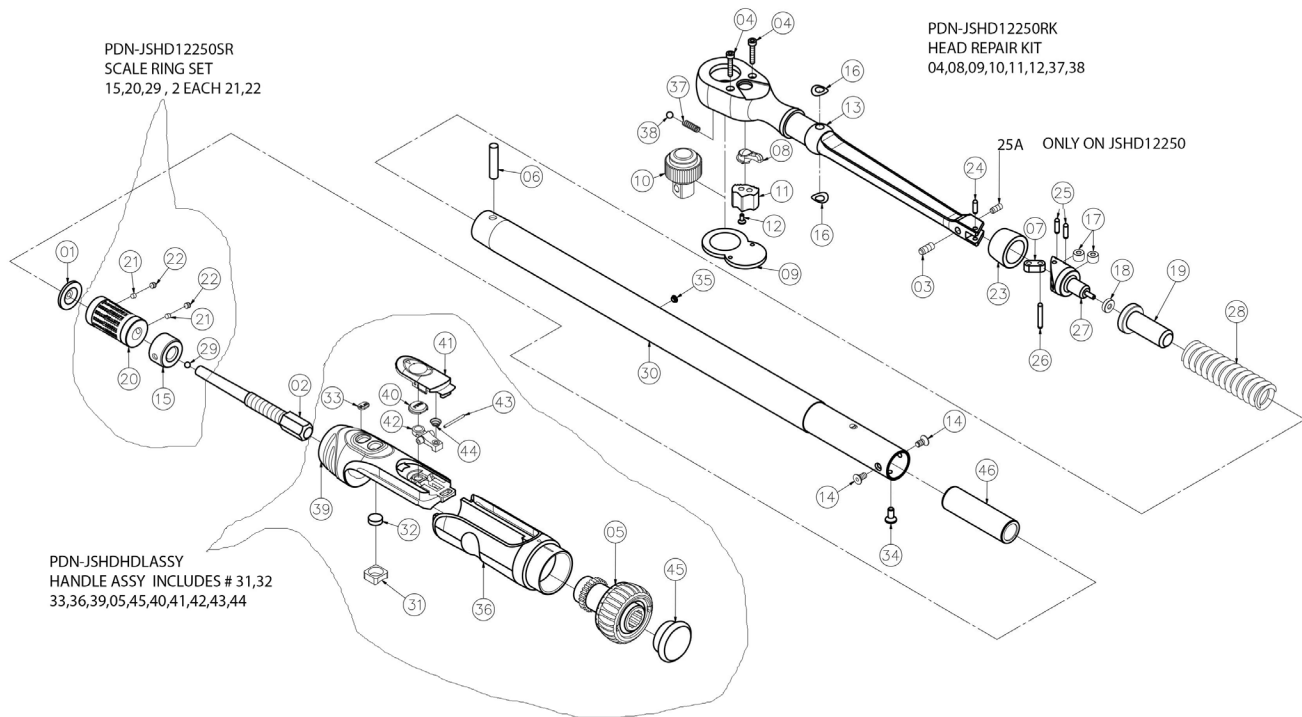


JSHD TORQUE WRENCH PRODUCT # 718962



| REF | DESCRIPTION | PART NUMBER | REF | DESCRIPTION | PART NUMBER |
|-----|-----------------------|------------------|-----|--------------------------|-------------------|
| 1 | SPRING WASHER | PDN-JSHD12250-01 | 22 | M4 SCREW | PDN-JSHD12250-22 |
| 2 | BOLT | PDN-JSHD12250-02 | 23 | O RING | PDN-JSHD12250-23 |
| 3 | SET SCREW | PDN-JSHD12150-03 | 24 | PIN | PDN-JSHD12150-24 |
| 6 | RIVET | PDN-JSHD12250-06 | 25A | SET SCREW | PDN-JSHD12250-25A |
| 13 | TORQUE WRENCH BODY | PDN-JSHD12250-13 | 27 | ROLLER BRACKET | PDN-JSHD12250-27 |
| 14 | M4 SCREW | PDN-JSHD12250-14 | 28 | SPRING | PDN-JSHD12250-28 |
| 15 | SCREW COLLAR | PDN-JSHD12250-15 | 29 | CONNECTING BALL 4MM DIA. | PDN-JSHD12250-29 |
| 17 | ROLLERS | PDN-JSHD12250-17 | 30 | STEEL TUBE | PDN-JSHD12250-30 |
| 18 | SLIDING FIXTURE ROTOR | PDN-JSHD12250-18 | 34 | PIN | PDN-JSHD12150-34 |
| 19 | SPRING FIXTURE | PDN-JSHD12250-19 | 35 | TUBE ADJUSTING CAP | PDN-JSHD12250-35 |
| 20 | CALIBRATION RING | PDN-JSHD12250-20 | 47 | SET SCREW LOCK | PDN-JSHD12150-47 |
| 21 | BRASS WASHER | PDN-JSHD12250-21 | | | |