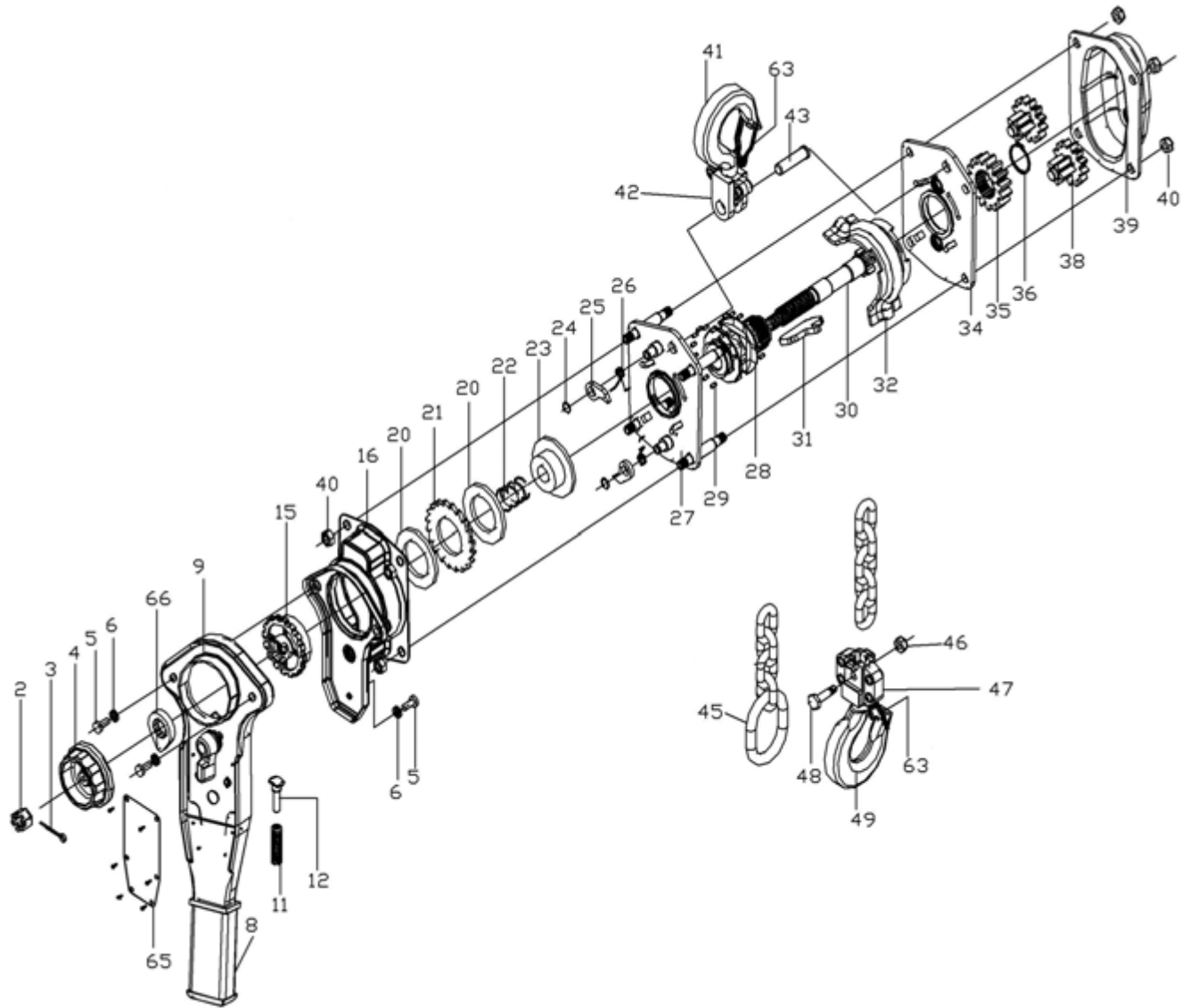


VLP LEVER HOIST PRODUCT # 110302,110303,110304



REF	PART NUMBER	PART NUMBER	PART NUMBER	DESCRIPTION	REQ
2	PVI-VLP75-2	PVI-VLP150-2	PVI-VLP300-2	CASTLE NUT	1
3	PVI-VLP75-3	PVI-VLP150-3	PVI-VLP300-3	SPLIT PIN	1
4	PVI-VLP75-4	PVI-VLP150-4	PVI-VLP300-4	HAND WHEEL	1
5	PVI-VLP75-5	PVI-VLP150-5	PVI-VLP300-5	HEX HEAD SCREW	3
6	PVI-VLP75-6	PVI-VLP150-6	PVI-VLP300-6	SPRING WASHER	3
8	PVI-VLP75-8	PVI-VLP150-8	PVI-VLP300-8	RUBBER GRIP	1
9	PVI-VLP75-9	PVI-VLP150-9	PVI-VLP300-9	LEVER HANDLE ASS,8,9,11,12	1
11	PVI-VLP75-11	PVI-VLP150-11	PVI-VLP300-11	CHANGE OVER SPRING	1

VLP LEVER HOIST PRODUCT # 110302,110303,110304

REF	PART NUMBER	PART NUMBER	PART NUMBER	DESCRIPTION	REQ
12	PVI-VLP75-12	PVI-VLP150-12	PVI-VLP300-12	SPRING SHAFT	1
15	PVI-VLP75-15	PVI-VLP150-15	PVI-VLP300-15	CHANGE OVER GEAR	1
16	PVI-VLP75-16	PVI-VLP150-16	PVI-VLP300-16	BRAKE COVER ASSEMBLY	1
20	PVI-VLP75-20	PVI-VLP150-20	PVI-VLP300-20	FRICTION DISC PAIR	1
21	PVI-VLP75-21	PVI-VLP150-21	PVI-VLP300-21	RATCHET DISC	1
22	PVI-VLP75-22	PVI-VLP150-22	PVI-VLP300-22	TWISTING SPRING	1
23	PVI-VLP75-23	PVI-VLP150-23	PVI-VLP300-23	BRAKE SEAT	1
24	PVI-VLP75-24	PVI-VLP150-24	PVI-VLP300-24	SNAP RING	2
25	PVI-VLP75-25	PVI-VLP150-25	PVI-VLP300-25	PAWL	2
26	PVI-VLP75-26	PVI-VLP150-26	PVI-VLP300-26	PAWL SPRING	2
27	PVI-VLP75-27	PVI-VLP150-27	PVI-VLP300-27	LEVER SIDE PLATE ASS	1
28	PVI-VLP75-28	PVI-VLP150-28	PVI-VLP300-28	LOAD SPROCKET	1
29	PVI-VLP75-29	PVI-VLP150-29	PVI-VLP300-29	ROLLER SET RIGH AND LEFT	1
30	PVI-VLP75-30	PVI-VLP150-30	PVI-VLP300-30	DRIVING PINION	1
31	PVI-VLP75-31	PVI-VLP150-31	PVI-VLP300-31	STRIPPER	1
32	PVI-VLP75-32	PVI-VLP150-32	PVI-VLP300-32	CHAIN GUIDE PLATE	1
34	PVI-VLP75-34	PVI-VLP150-34	PVI-VLP300-34	GEAR SIDE PLATE ASS	1
35	PVI-VLP75-35	PVI-VLP150-35	PVI-VLP300-35	LOAD GEAR	1
36	PVI-VLP75-36	PVI-VLP150-36	PVI-VLP300-36	SNAP RING	1
38	PVI-VLP75-38	PVI-VLP150-38	PVI-VLP300-38	SPUR GEAR ASSEMBLY	1
39	PVI-VLP75-39	PVI-VLP150-39	PVI-VLP300-39	GEAR COVER ASSEMBLY	1
40	PVI-VLP75-40	PVI-VLP150-40	PVI-VLP300-40	LOCK NUT	8
43	PVI-VLP75-43	PVI-VLP150-43	PVI-VLP300-43	TOP HOOK SHAFT	1
45	PVI-VLP75-45	PVI-VLP150-45	PVI-VLP300-45	END RING	1
46	PVI-VLP75-46	PVI-VLP150-46	PVI-VLP300-46	CHAIN PIN NUT	1
48	PVI-VLP75-48	PVI-VLP150-48	PVI-VLP300-48	CHAIN PIN	1
63	PVI-VLP75-63	PVI-VLP150-63	PVI-VLP300-63	SAFETY LATCH KIT	2
65	PVI-VLP75-65	PVI-VLP150-65	PVI-VLP300-65	NAME PLATE WRIVETS	1
66	PVI-VLP75-66	PVI-VLP150-66	PVI-VLP300-66	STOP KNOB	1
41	PVI-VLP75-41	PVI-VLP150-41	PVI-VLP300-41	TOP HOOK ASSEMBLY,42,43,63	1
49	PVI-VLP75-49	PVI-VLP150-49	PVI-VLP300-49	BOTTOM HOOK 46,47,48,63,	1