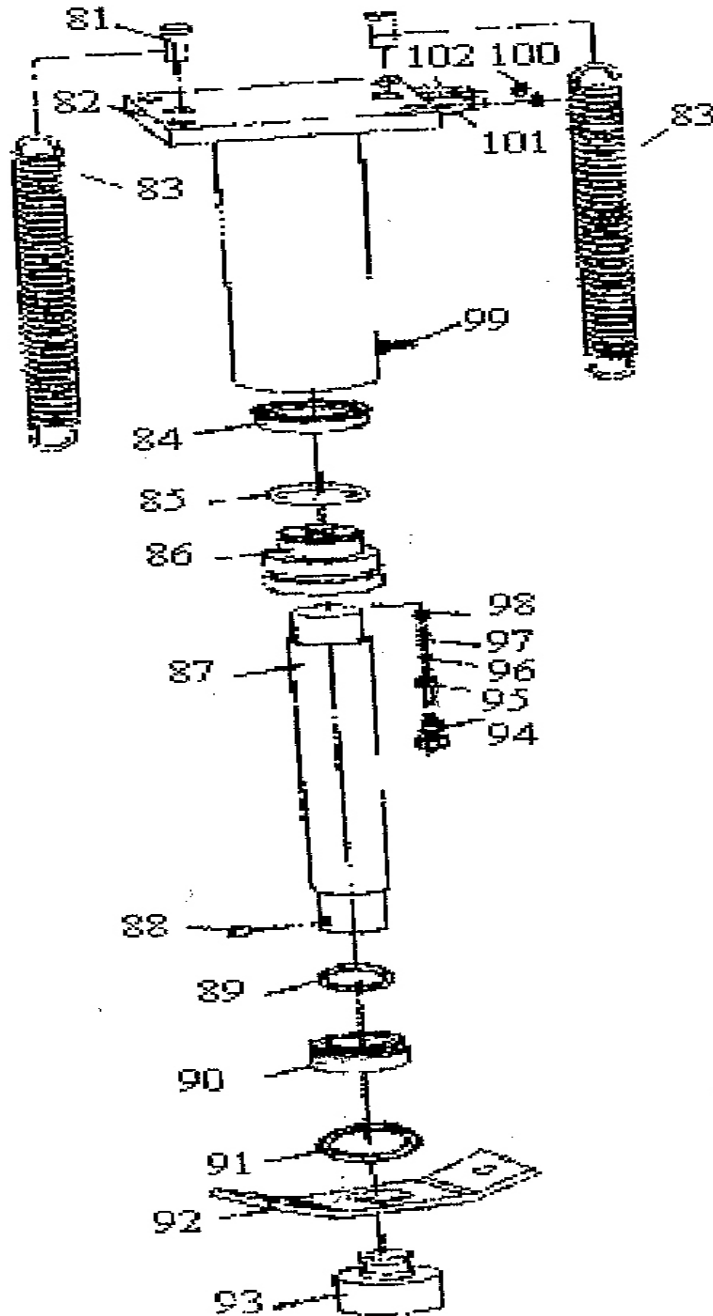


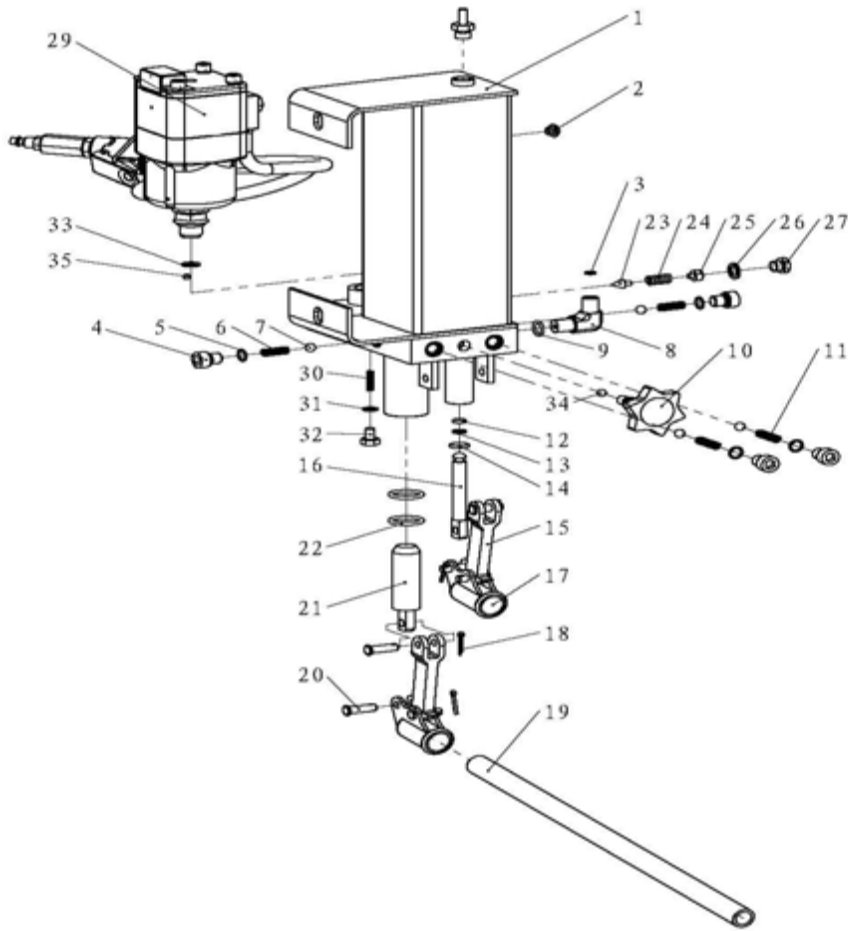
150 50 TON SHOP PRESS # 032175

REF	PART NUMBER	DESCRIPTION	REF	PART NUMBER	DESCRIPTION
01	PFH-150P01	Spreader	21	XX	Nut M20
02	XX	Screw M12 x 45	22	PFH-150PH22	Pressure Head Assembly
03	XX	Nut M12	23	PFH-15-P23	Arbor Plate
04	XX	Spring Washer 12	24	With 29	Wire Rope
05	PFH-150P05	Base Support	25	XX	Screw M12 x 25
06	PFH-150P06	Press	26	XX	Screw M8 x 30
07	PFH-150P07	Vice Wheel Shaft Assembly	27	XX	Nut M8
08	PFH-150P08	Upright	28	XX	Washer 8
09	PFH-150P09	Support Pin	29	PFH-150P29	Hoist
10	PFH-150P10	Pump Assembly	30	PFH-150P30	Main-Wheel Shaft Assembly
11	PFH-150P11	Rubber Pipe Assembly	31	PFH-150P31	Pull Rod
12	PFH-150P12	Oil Backing Pipe	32	PFH-150P32	Bush
13	PDH-150P13	Oil Pipe	33	XX	Washer 12
14	XX	Screw M24 x 55	34	XX	Nut M30 x 1.5
15	XX	Nut M24	35	PFH-150P235	Tube Splice
16	XX	Spring Washer 24	36	PFH-150P236	Oil Pipe Hook
17	PFH-150P17	Pressure Gauge	38	PFH-150P238	Spring
18	PFH-150P18	Jack Ring/Header	39	PFH-150P239	Forceps
19	XX	Screw M20 x 70	40	PFH-728CP05-0	Air Valve
20	XX	Spring Washer			
XX	PFH-150HDW	MODEL 150 HARDWARE KIT			



REF	PART NUMBER	DESCRIPTION
	PFH-150P22	PRESS HEAD COMPLETE
83	PFH-150PHS	SPRING
92	PFH-150PHSB	SPRING HOLDER
93	PFH-150PHSAD	SADDLE
XX	PFH-150PRK	HYDRAULIC REPAIR KIT

150 50 TON SHOP PRESS # 032175



REF	PART NUMBER	DESCRIPTION
	PFH-150P10	POWER UNIT
16	PFH-150PH21	PUMP SMALL INCLUDES 16,15,17,18,21
21	PFH-150PH26	PUMP LARGE INCLUDES 21,15,17,18,20
29	PFH-380CP04	AIR PUMP
XX	PFH-380CPRK	AIR PUMP REPAIR KIT