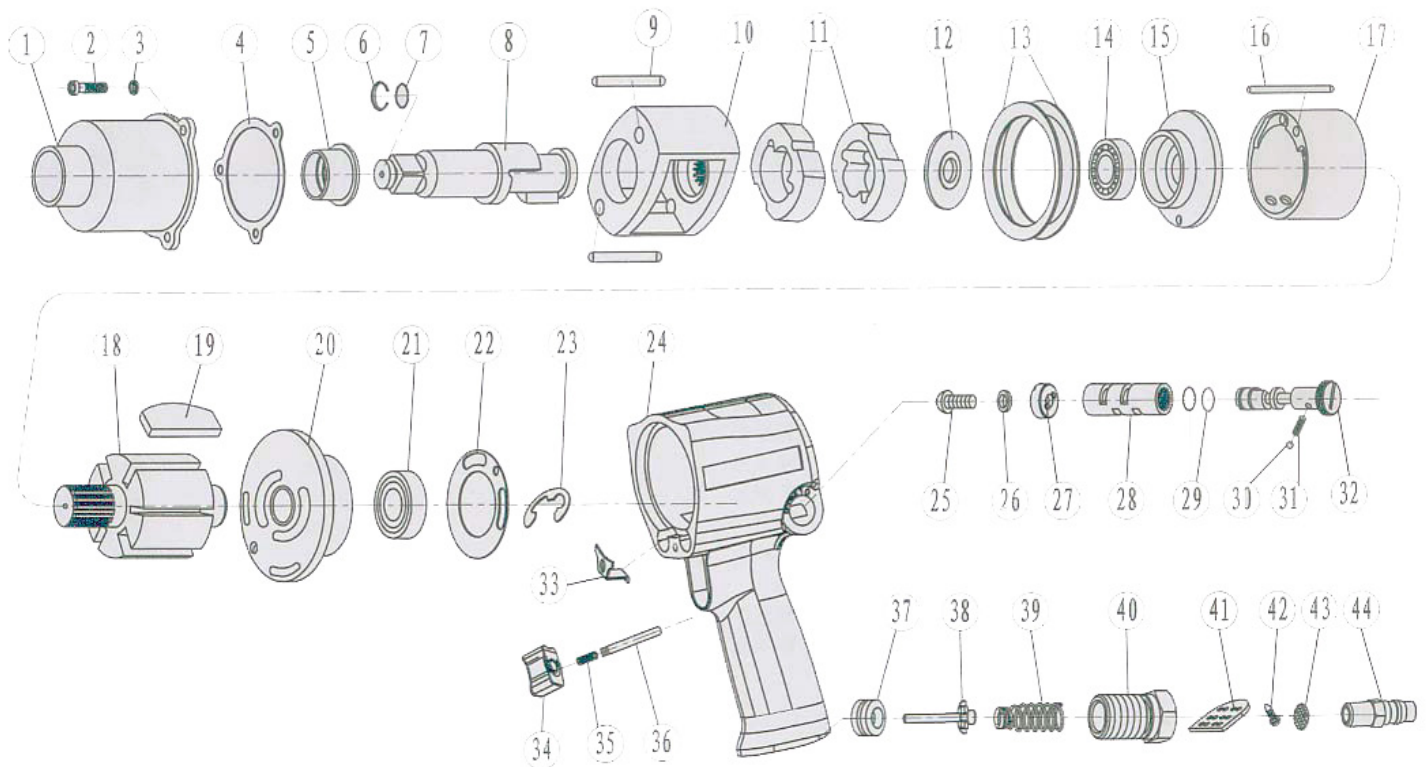


AW50AT AW50ATE 1/2" DR IMPACT PRODUCT # 400252,400256



REF	PART NUMBER	DESCRIPTION	REF	PART NUMBER	DESCRIPTION	REF	PART NUMBER	DESCRIPTION
1	PZF-AW50AT-01	FRONT CASE	15	PZF-AW50AT-15	FRONT END PLATE	30	PZF-AW50AT-30	STEEL BALL
2	PZF-AW50AT-02	SCREW	16	PZF-AW50AT-16	CYLINDER PIN	31	PZF-AW50AT-31	REV VALVE SPRG
3	PZF-AW50AT-03	SPRING WASHER	17	PZF-AW50AT-17	CYLINDER	32	PZF-AW50AT-32	REVERSE VALVE
4	PZF-AW50AT-04	HAMMCASE GSKT	18	PZF-AW50AT-18	ROTOR	33	PZF-AW50AT-33	TRIGGER RET
5	PZF-AW50AT-05	BUSHING	19	PZF-AW50AT-19	ROTOR BLADE	34	PZF-AW50AT-34	TRIGGER
6	PZF-AW50AT-06	ANVIL RING	20	PZF-AW50AT-20	REAR END PLATE	35	PZF-AW50AT-35	TRIGGER SPRING
7	PZF-AW50AT-07	ANVIL O-RING	21	PZF-AW50AT-21	END BEARING	36	PZF-AW50AT-36	TRIGGER PIN
8	PZF-AW50AT-08	ANVIL	22	PZF-AW50AT-22	R END PLATE GSKT	37	PZF-AW50AT-37	THROT VALVE SEAT
8	PZF-AW50ATE-08	ANVIL	23	PZF-AW50AT-23	ROTOR BEARING RET	38	PZF-AW50AT-38	AIR VALVE
9	PZF-AW50AT-09	HAMMER PIN	24	PZF-AW50AT-24	HOUSING	39	PZF-AW50AT-39	SPRING
10	PZF-AW50AT-10	HAMMER FRAME ASS	25	PZF-AW50AT-25	SCREW	40	PZF-AW50AT-40	AIR INLET
11	PZF-AW50AT-11	HAMMER	26	PZF-AW50AT-26	SPRING WASHER	41	PZF-AW50AT-41	EXHAUST BOARD
12	PZF-AW50AT-12	HAMM FRAME WASHER	27	PZF-AW50AT-27	REV VALVE KNOB	42	PZF-AW50AT-42	HEAD SCREW
13	PZF-AW50AT-13	WASHER	28	PZF-AW50AT-28	REV VALVE BUSHING	43	PZF-AW50AT-43	FILTER
14	PZF-AW50AT-14	FRONT BEARING	29	PZF-AW50AT-29	REV VALVE O-RING	44	PZF-AW50AT-44	AIR INLET CONN
15	PZF-AW50AT-15	FRONT END PLATE		PZF-AW50AT-BC	HANDLE COVER			