

# 3-DRAWER ROLLING TOOLBOX SEAT

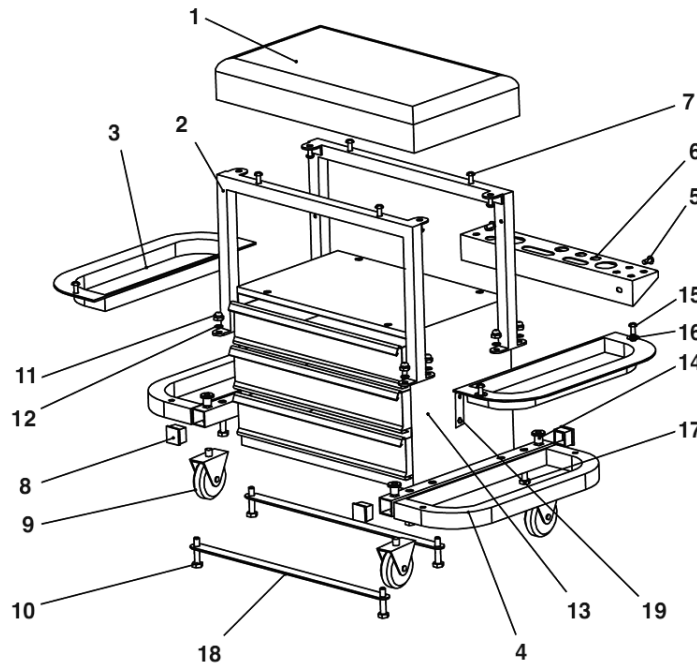
PROD. NO. 355160  
MOD. NO. JTBS-3

## SPECIFICATIONS

**Capacity** ..... 300 lb      **Maximum drawer capacity** ..... 22 lb  
**Overall dimensions** ..... 26-3/8 x 14-1/8 x 16"      **Side tool tray maximum capacity** ..... 11 lb

This product is designed to support a maximum capacity of 300 lb (136 kg), including all tools and equipment. It is intended to be used to support and transport along a smooth and level surface. This product is not intended, designed, or engineered to be used for any other purpose.

## PARTS

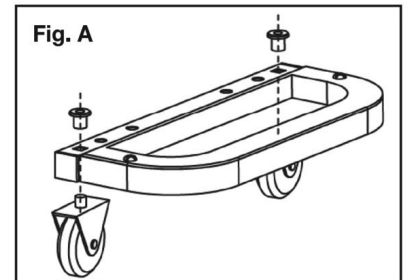


Nº	DESCRIPTION	QTY	Nº	DESCRIPTION	QTY	Nº	DESCRIPTION	QTY
1	STOOL PAD	1	8	PLASTIC TUBE CAP	4	14	SLEEVE NUT	4
2	BODY FRAME	2	9	2.5" PVC CASTER	4	15	BOLT M8X16	4
3	PLASTIC TRAY	2	10	BOLT M8X40	4	16	WASHER 8	4
4	SIDE TRAY FRAME	2	11	NUT M8	8	17	BOLT M8X35	4
5	BOLT M6X10	2	12	WASHER 8	8	18	SUPPORT BAR	2
6	TOOL-HOLDER SHELF	1	13	BODY WITH 3 DRAWERS	1	19	BUCKLE	2
7	BOLT M6X30	1						

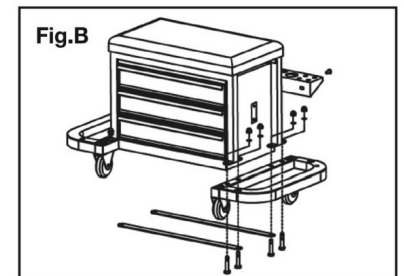
## ASSEMBLY

Before assembly of this product, make sure all parts are present. Compare parts with the contents list and diagram. If any part is missing or damaged, do not attempt to assemble, install, or operate the product.

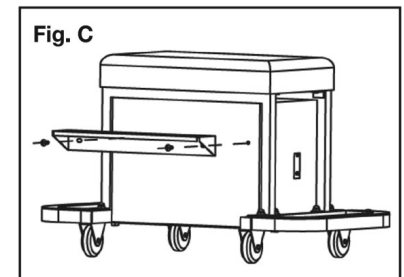
**Step 1.** Assemble 4 casters (No. 9) through the hold on the side tray's frame (No. 4), as shown in Fig. A. Tighten the sleeve nut using an inner hexagon wrench.



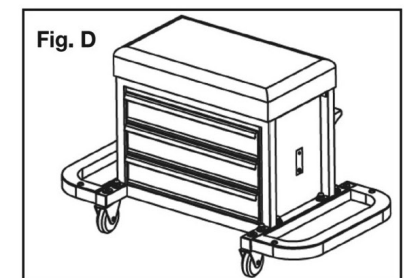
**Step 2.** To assemble two magnetic tool trays, insert the bolt (No. 10) through the support bar (No. 18), then through the holes on the frame of side tray (No.4), then through the body frame (No. 2). Add the washer (No. 12) to tighten the nut (No. 11), as shown (Fig. B).



**Step 3.** To assemble the rear tool and screwdriver holder, screw the bolt (No. 5) into the hole on the back side of the body, as shown (Fig. C).



**Step 4.** Final assembled product shown (Fig. D).



**Step 5.** The side tray folds down using the buckle (No. 19), which is inserted in the hold in the frame, as shown (Fig. E).

