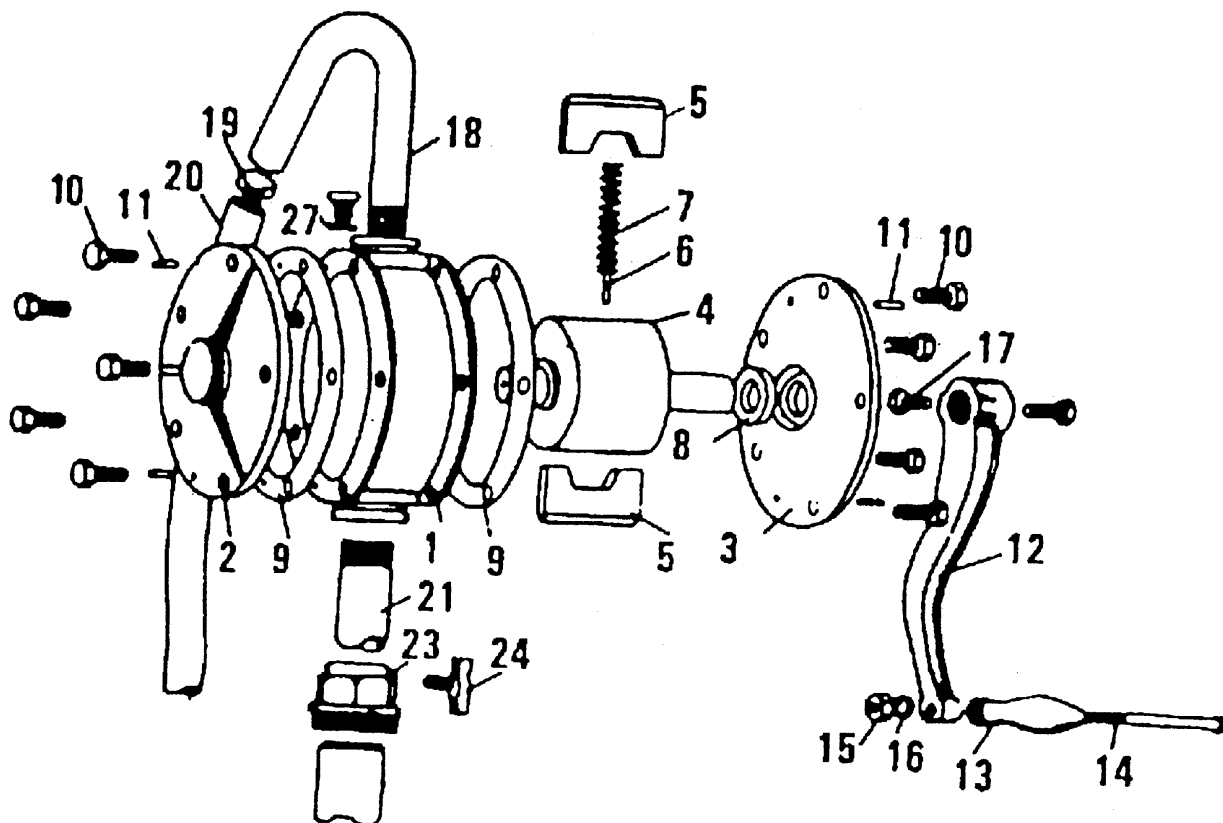


# JET HRP25 ROTARY BARREL PUMP PRODUCT # 350103



REF	PART NUMBER	DESCRIPTION	REQ
1	PGN-HRP25-01	HRP25 PUMP CASTING	1
2	PGN-HRP25-02	HRP25 DISCHARGE COVER PLATE	1
3	PGN-HRP25-03	HRP25 HANDLE COVER PLATE	1
4	PGN-HRP25-04	HRP25 SHAFT	1
5	PGN-HRP25-05	HRP25 IMPELLER INCLDS #6,7	2
6	PGN-HRP25-06	HRP25 IMPELLER PIN	1
7	PGN-HRP25-07	HRP25 IMPELLER SPRING	1
8	PGN-HRP25-08	HRP25 OIL SEAL	1
9	PGN-HRP25-09	HRP25 COVER PACKING	1
10	PGN-HRP25-10	HRP25 HEX BOLT	10
11	PGN-HRP25-11	HRP25 TAPER PIN	1
12	PGN-HRP25-12	HRP25 HANDLE INCLDS #13,14,15,16	1
13	PGN-HRP25-13	HRP25 GRIP	1
14	PGN-HRP25-14	HRP25 GRIP SHAFT	1
15	PGN-HRP25-15	HRP25 NUT	1
16	PGN-HRP25-16	HRP25 WASHER	1
17	PGN-HRP25-17	HRP25 HEX BOLT	1
18	PGN-HRP25-18	HRP25 DISCHARGE SPOUT	1
19	PGN-HRP25-19	HRP25 HOSE BAND	1
20	PGN-HRP25-20	HRP25 VINYL HOSE	1
21	PGN-HRP25-21	HRP25 SUCTION PIPE (3 PIECE)	1
22	PGN-HRP25-22	HRP25 STRAINER: NOT PART OF PUMP	1
23	PGN-HRP25-23	HRP25 BUNG ADAPTOR INCLDS #24	1
24	PGN-HRP25-24	HRP25 BUTTERFLY NUT	1