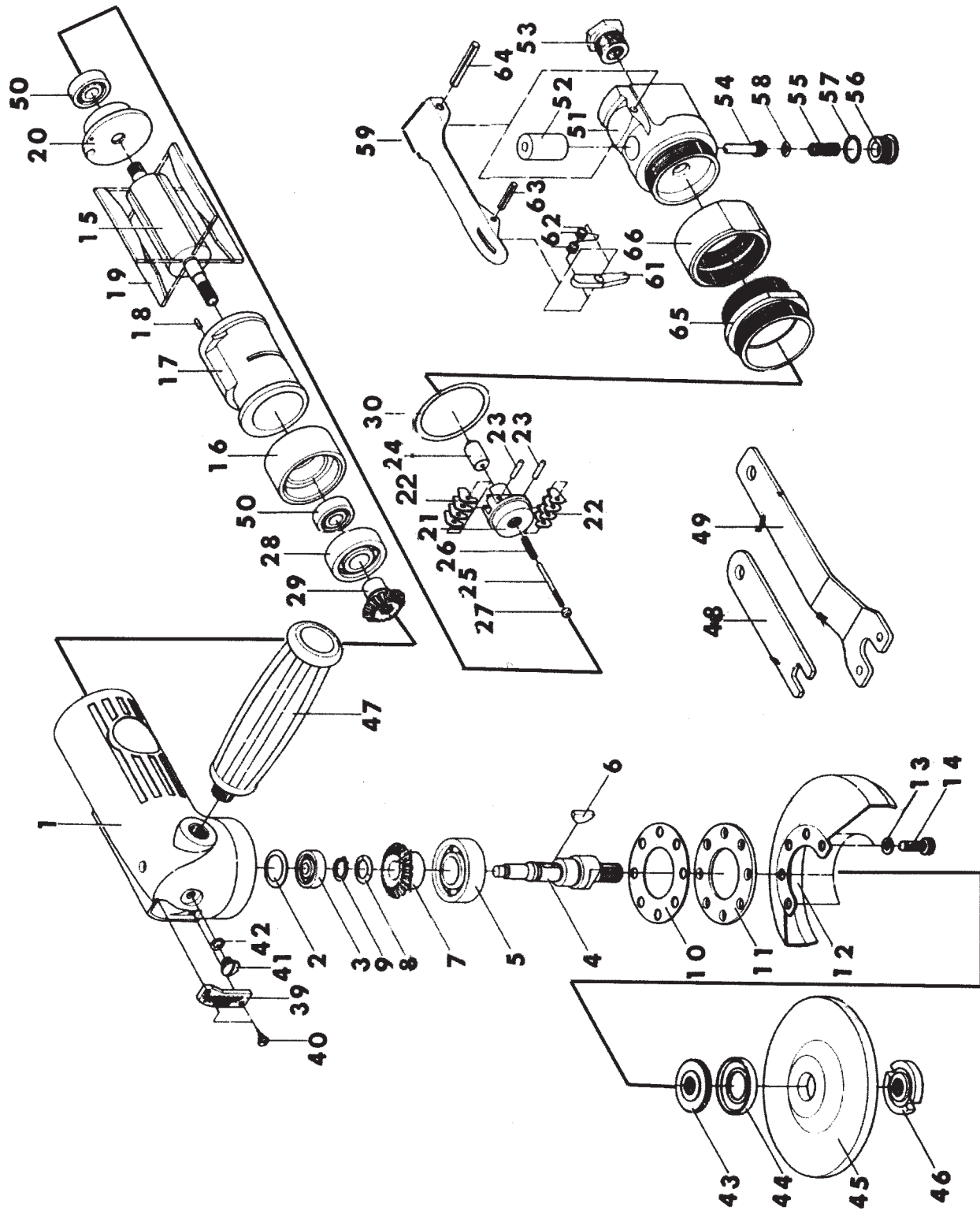


AG50L 5" ANGLE GRINDER PRODUCT # 402305



AG50L 5" ANGLE GRINDER PRODUCT # 402305

REF.	PART NUMBER	DESCRIPTION	REQ
1	PUT-DG40001	AG50L MOTOR HOUSING	1
2	PUT-DG40002	AG50L SEAL PLATE	1
3	PB626-2Z	AG50L BALL BRG	1
4	PUT-DG40004	AG50L ARBOR 10MMX1.25	1
5	PB6202-2Z	AG50L BALL BRG	1
6	PUT-WK0313A	AG50L WOODRUFF KEY	1
7		AG50L BEV/GEAR: USE DG40K04 KIT	1
8	PUT-WW0010	AG50L WAVE WASHER	1
9	PUT-STW010	AG50L EXTERNAL STOP RING	1
10	PUT-DG40010	AG50L GASKET	1
11	PUT-DG40011	AG50L RETAINER	1
12	PUT-DG50012	AG50L CENTER WHEEL GUARD	1
13	PUT-SW1050A	AG50L SPRING WASHER (5)	5
14	PUT-B20512A	AG50L HEX/SKT CAP BOLT (5)	5
15	PUT-DG40015	AG50L ROTOR	1
16	PUT-DG40016	AG50L FRONT END PLATE	1
17	PUT-VP70017	AG50L CYLINDER	1
18	PUT-SP30060	AG50L SPRING PIN	1
19	PUT-VP70014	AG50L ROTOR BLADE (4)	4
20	PUT-VP70013	AG50L REAR END PLATE	1
21		AG50L GOVERNOR:USE DG40K03 KIT	1
22		AG50L PENDULUM: USE DG40K03 KIT	8
23		AG50L S/PIN: USE DG40K03 KIT	2
24		AG50L PLUNGER: USE DG40K03 KIT	1
25		AG50L ADJ/SCREW: USE DG40K03 KIT	1
26		AG50L SPRING: USE DG40K03 KIT	1
27		AG50L ADJUST NUT: USE DG40K03 KIT	1
28	PB6201-2Z	AG50L BALL BRG	1
29		AG50L BEV/PINION: USE DG40K04 KIT	1
30	PUT-DG40030	AG50L O-RING	1
39	PUT-DG40039	AG50L EXHAUST DEFLECTOR	1
40	PUT-T23008B	AG50L TAPPING SCREW (2)	2
41	PUT-PG38043	AG50L PLUG	1
42	PUT-ORP0040	AG50L O-RING	1
43	PUT-AG50052	AG50L FLANGE	1
44	PUT-AG50053	AG50L FLANGE RUBBER SHIELD	1
45		AG50L GRINDING WHEEL: SALES	1
46	PUT-AG50054	AG50L FLANGE NUT	1
47	PUT-AP70047	AG50L HANDLE	1
48	PUT-DG40048	AG50L WRENCH A	1
49	PUT-AG70057	AG50L WRENCH (B)	1
50	PB608-2Z	AG50L BALL BRG	2
51		AG50L T/V/HOUSING:USE DG40K01 KIT	1
52		AG50L BUSHING: USE DG40K01 KIT	1
53		AG50L A//BUSHING:USE DG40K01 KIT	1
54	PUT-DG40054	AG50L VALVE STEM	1
55	PUT-DG40055	AG50L VALVE SPRING	1
56	PUT-DG40056	AG50L THROTTLE HOUSING	1
57		AG50L O-RING: USE DG40K05 KIT	1
58		AG50L O-RING: USE DG40K05 KIT	1
59	PUT-DG40059	AG50L THROTTLE LEVER	1
61		AG50L T/L/LOCK: USE DG40K02 KIT	1
62		AG50L T/SPRING: USE DG40K02 KIT	1
63		AG50L S/PIN: USE DG40K02 KIT	1
64	PUT-SP40300	AG50L SPRING PIN	1
65	PUT-DG40065	AG50L LOCK RING	1
66	PUT-DG40066	AG50L COUPLING NUT	1
	PUT-DG40K01	AG50L THROTTLE VALVE KIT	1
	PUT-DG40K02	AG50L THROTTLE LEVER KIT	1
	PUT-DG40K03	AG50L GOVERNOR KIT	1
	PUT-DG40K04	AG50L BEVEL GEAR KIT	1
	PUT-DG40K05	AG50L O-RING KIT	1
	PUT-DG99999	AG50L 5/8"X11 EXT THREAD ADP	1