

## High Reach Fixed Stands Operating Instructions

PROD NO. 032215, 032216, 032217  
MOD NO. WTS15H-SHD, WTS15L-SHD, WTS33H-SHD

**IMPORTANT: Read these instructions and all warnings prior to using this equipment. Understand all operating procedures, safety warnings and maintenance requirements. Failure to do so could cause an accident resulting in serious or fatal injury and/or personal property damage.**

### WARNING

The use of portable automotive lifting devices is subject to certain hazards that cannot be prevented by mechanical means, but only by exercise of intelligence, care, and common sense. It is therefore essential to have personnel involved in the use and operation of equipment who are careful, competent, trained, and qualified in the safe operation of this equipment and its proper use when servicing motor vehicles and their components. Examples of hazards are dropping, tipping, or slipping of motor vehicles or their components caused primarily by improperly securing loads, overloading, off-centered loads, use on other than hard level surfaces, and using equipment for a purpose for which it was not designed.

The owner and / or operator shall study and understand the product and safety instructions before operating this equipment. Safety information shall be emphasized and understood. If the operator is not fluent in English, the product and safety instructions shall be read to and discussed with the operator in the operator's native language by the purchaser / owner or his designee, making sure that the operator comprehends their contents. A copy of these instructions / warnings shall be retained for future reference.

### INSPECTION

Visual inspection shall be made before each use of this equipment, checking for abnormal conditions, such as cracked welds, leaks, damaged, loose or missing parts. This equipment shall be removed immediately from service if it is believed to have been subjected to an abnormal or shock load, the equipment shall be inspected by a qualified repair facility. Owners and / or operators should be aware that repair of this equipment may require specialized knowledge and facilities. It is recommended that this equipment be inspected annually by a qualified repair facility. Defective parts, decals, safety labels or signs should be replaced with Strongarm specified parts.

### WARNING

- Study, understand and follow all instructions before operating this device.
- Do not exceed rated capacity.
- Use only on hard level concrete surface capable of sustaining the load.
- Locate saddle at vehicle manufacturer designated points.
- Center load on saddle.
- Use a minimum of four stands to support and stabilize a vehicle, and a minimum of two additional stands for each additional axle assembly, before starting repairs.
- Do not apply horizontal forces or large torque loads to the vehicle while supported by stands.
- Do not start engine while supported on stands.
- Ensure stands are stable and vehicle is balanced before lowering onto stands.
- Carefully lower vehicle onto all stands simultaneously.
- Only attachments, restraints or adapters supplied by the manufacturer shall be used.
- No alterations shall be made to this product.
- Failure to heed these markings may result in personal injury and/or property damage.

## High Reach Fixed Stands Operating Instructions

PROD NO. 032215, 032216, 032217  
MOD NO. WTS15H-SHD, WTS15L-SHD, WTS33H-SHD

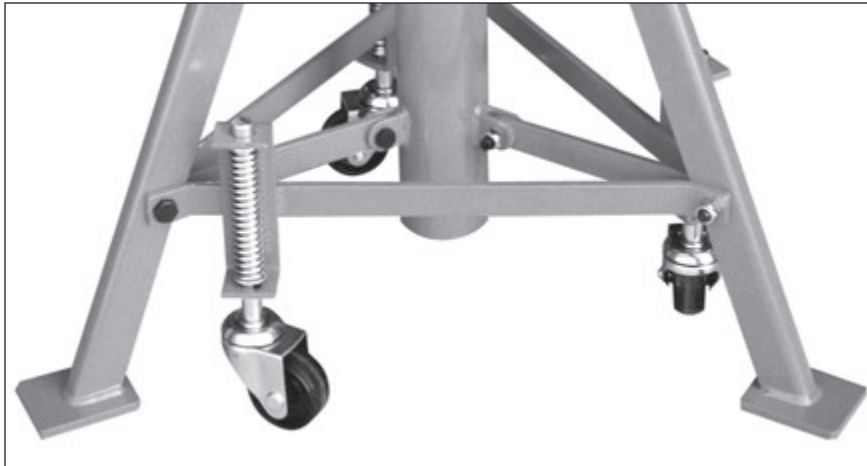
### ASSEMBLY

032215 / 032216 – Attach Caster Cross Beam assembly and Leg to Post Beam as shown below.

**IMPORTANT: ENSURE ALL NUTS AND BOLTS ARE TIGHTENED FIRMLY AND THAT THE CASTER SPRING RETRACTS AND EXPANDS SMOOTHLY**

032217 – Attach Caster assembly as shown below.

**IMPORTANT: ENSURE ALL NUTS AND BOLTS ARE TIGHTENED FIRMLY AND THAT THE CASTER SPRING RETRACTS AND EXPANDS SMOOTHLY**



032215 / 032216



032217

### OPERATING INSTRUCTIONS - HIGH REACH FIXED STANDS

1. Only support the vehicle at vehicle manufacturer's recommended points.
2. Only use stand on a level concrete surface capable of sustaining the load.
3. **IMPORTANT:** When adjusting height; hold support stand firmly – there could be a **DANGER** of injury should the inner tube drop suddenly.
4. Always adjust stands to securely contact vehicle.
5. **FULLY INSERT LOCKING PIN THROUGH THE STAND**
6. Only load stand vertically.
7. Do not move the stand with the support tube extended.
8. Ensure that removable saddle support is securely inserted and rotated to make a secure contact with the load.
9. Always ensure load is centered on the saddle.
10. Make final adjustments to stand height using turning screw collar (Product 032215 & 032217).