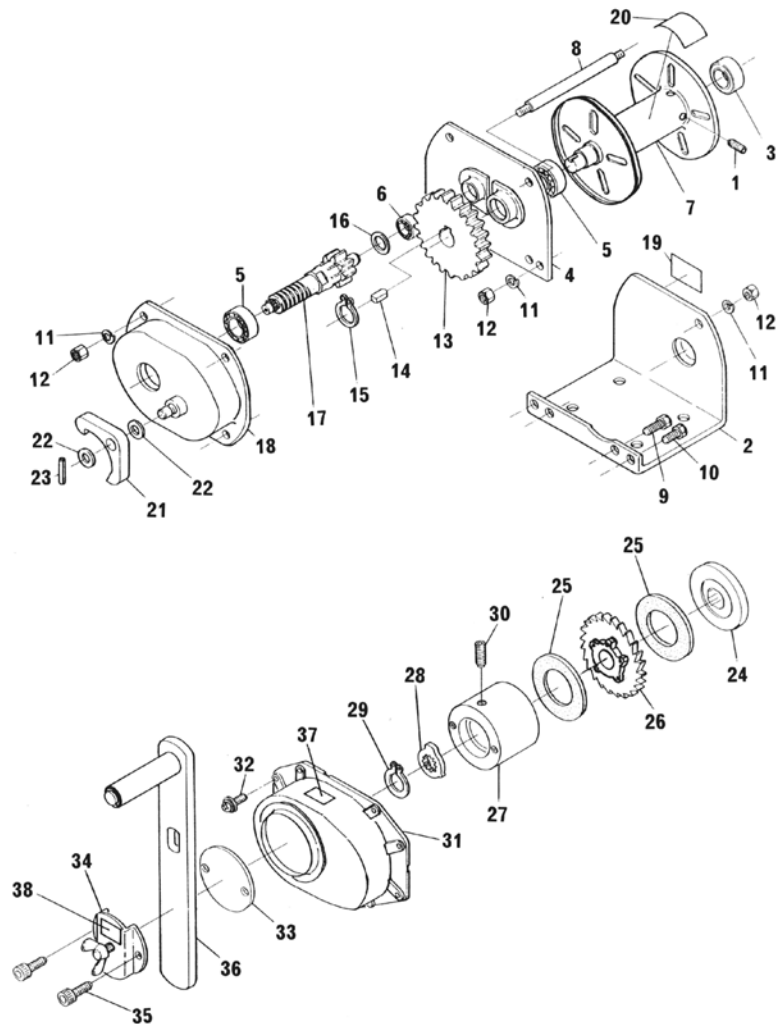


# JET INDUSTRIAL WINCHES PRODUCT # 113263



REF	PART	DESCRIPTION	REQ	REF	PART	DESCRIPTION	REQ
1	PFS-IWF300301	RETAINER BOLT M8X30	1	20	PFS-IWF100136	ROTATION INDICATOR	1
2	PFS-IWF500502	CASING A ASSY	1	21	PFS-IWF100118	BRAKE PAWL	1
3	PFS-BB6005ZZ	BALL BRG USE: PB6005-2Z	1	22	PFS-IWF100119	WASHER (2) 16X25X1.2	2
4	PFS-IWF500503	CASING B ASSY	1	23	PFS-IWF100120	SPRING PIN 4X25	1
5	PFS-BB6005Z	BALL BRG USE: PB6005-2Z	2	24	PFS-IWF100122	DISC HUB	1
6	PFS-BB6200	BALL BRG USE: PB6200-2Z	1	25	PFS-IWF100123	BRAKE DISC (2)	2
7	PFS-IWF500504	DRUM ASSY	1	26	PFS-IWF100124	RATCHET DISC ASSY	1
8	PFS-IWF300308	STAY BOLT	1	27	PFS-IWF100125	RATCHET	1
9	PFS-TS1490041	HEX CAP BOLT (2) M8X25	2	28	PFS-IWF100126	RATCHET STOPPER	1
10	PFS-TS1490031	HEX CAP BOLT (3) M8X20	3	29	PFS-IWF100127	CLAMP	1
11	PFS-TS155108	LOCK WASHER (7) M8	7	30	PFS-IWF100128	BALL PLUNGER	1
12	PFS-TS154006	HEX NUT (7) M8	7	31	PFS-IWF100129	BRAKE COVER ASSY	1
13	PFS-IWF500510	SPUR GEAR A	1	32	PFS-IWF100130	P/HD/SCR W/WSH(8)	8
14	PFS-IWF300311	KEY 8X7X11	1	33	PFS-IWF100131	BRAKE COVER LID	1
15	PFS-IWF300312	CLAMP	1	34	PFS-IWF100132	HANDLE RETAINER ASSY	1
16	PFS-IWF300313	WASHER 10.9X17.3X2.5	1	35	PFS-IWF100133	BOLT (2) M6X18	2
17	PFS-IWF300314	PINION	1	36	PFS-IWF300334	HANDLE ASSY	1
18	PFS-IWF500515	GEAR COVER ASSY	1	37	PFS-IWF100137	WINDING INDICATOR	1
19	PFS-IWF500535	IDENTIFICATION PLATE	1	38	PFS-IWF100138	FREE WHEELING LABEL	1