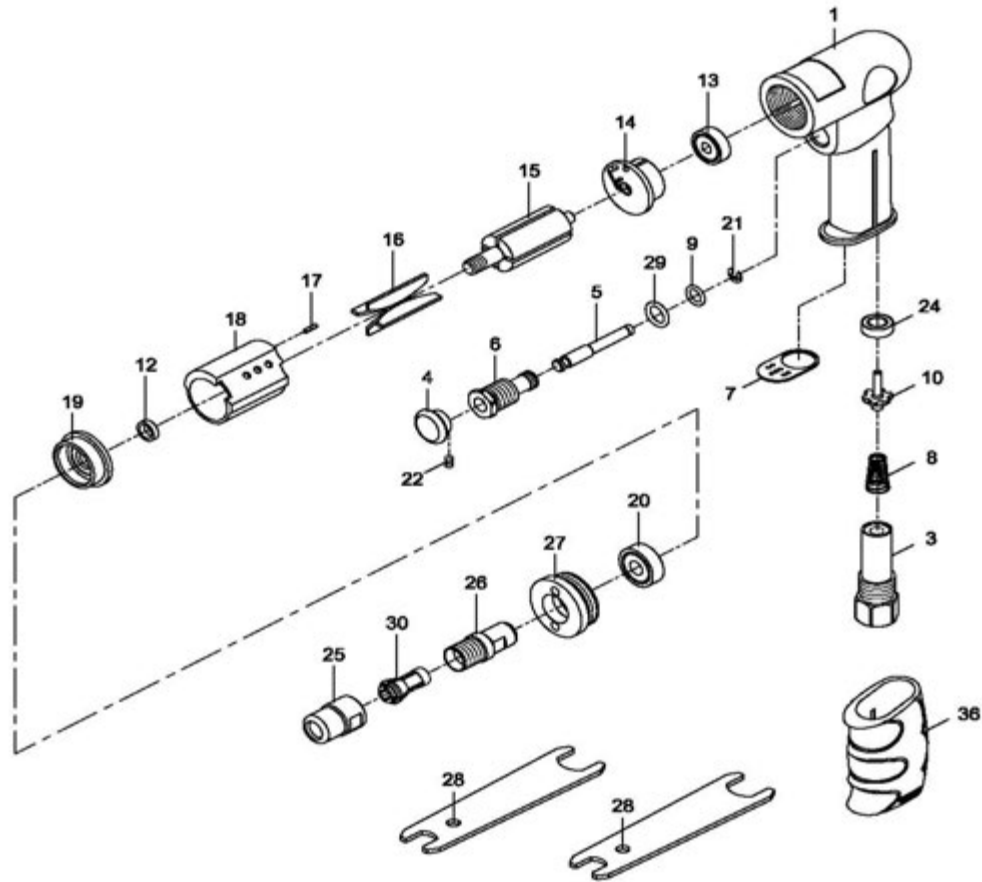


MG90P 1/4" MINI DIE GRINDER PRODUCT # 402120



REF PART NUMBER	DESCRIPTION	REQ	REF PART NUMBER	DESCRIPTION	REQ		
1	PSM-MS075-1	MOTOR HOUSING	1	17	PSM-MS075-17	SPRING PIN	1
3	PSM-MS075-3	AIR INLET	1	18	PSM-MS075-18	CYLINDER	1
4	PSM-MS075-4	TRIGGER	1	19	PSM-MS075-19	FRONT END PLATE	1
5	PSM-MS075-5N	VALVE STEM	1	20	PB608-2Z	BALL BEARING (608ZZ)	1
6	PSM-MS075-6	VALVE BUSHING	1	21	PSM-MS075-21	RETAINING RING	1
7	PSM-MS075-7	EXHAUST DIFFUSER	1	22	PSM-MS075-22	SET SCREW	1
8	PSM-MS075-8	SPRING	1	24	PSM-MS075-24N	RUBBER SPACER	1
9	PSM-MS075-9	O-RING	1	25	PSM-MG90P-25	COLLET NUT	1
10	PSM-MS075-10	VALVE STEM	1	26	PSM-MG90P-26	SPINDLE	1
12	PSM-MS075-12	SPACER	1	27	PSM-MS075-27	MOTOR LOCK NUT	1
13	PB626-2Z	BALL BEARING (626ZZ)	1	28	PSM-MS075-28	SPANNER	2
14	PSM-MS075-14	REAR END PLATE	1	29	PSM-MS075-29	O-RING	1
15	PSM-MS075-15	ROTOR	1	30	PSM-MG90P-30	COLLET	1
16	PSM-MS075-16	ROTOR BLADE	4	36	PSM-MS075-36	RUBBER GRIP	1