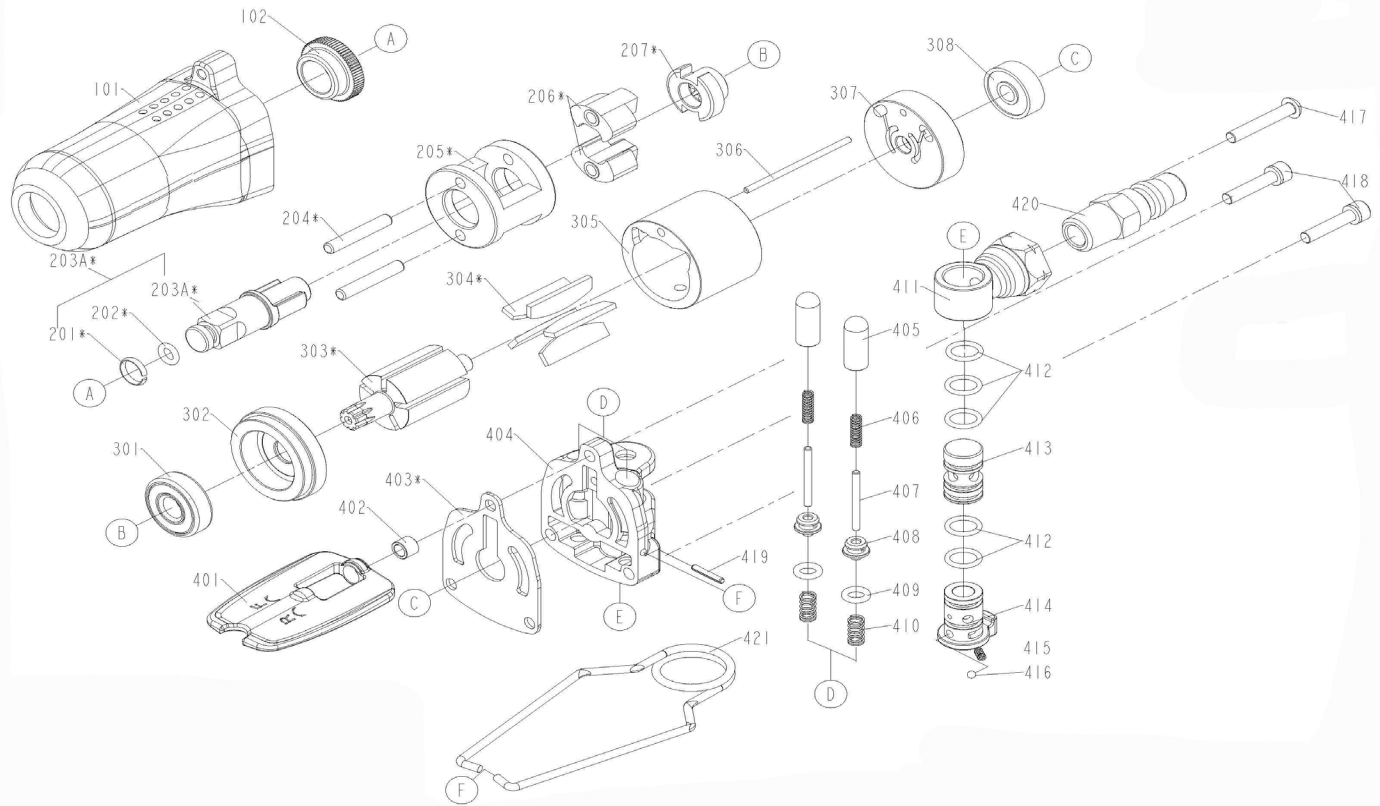


# 3/8" DRIVE BFLY IMPACT WRENCH

PROD. NO. 400120  
MOD. NO. IW38BFLY



REF	PART NUMBER	DESCRIPTION	REQ	REF	PART NUMBER	DESCRIPTION	REQ
101	PBI-IW38BFLY-101	HOUSING	1	403	PBI-IW38BFLY-403	PACKING	1
102	PBI-IW38BFLY-102	LATCH SPRING BUSHING	1	404	PBI-IW38BFLY-404	REAR COVER	1
201	PBI-IW38BFLY-201	SOCKET RETAINER	1	405	PBI-IW38BFLY-405	LATCH SPRING BUSHING	2
202	PBI-IW38BFLY-202	O - RING	1	406	PBI-IW38BFLY-406	SPRING	2
203A	PBI-IW38BFLY-203A	ANVIL UNIT	1	407	PBI-IW38BFLY-407	VALVE STEM	2
204	PBI-IW38BFLY-204	HAMMER PIN	2	408	PBI-IW38BFLY-408	VALVE SEAL	2
205	PBI-IW38BFLY-205	HAMMER FRAME	1	409	PBI-IW38BFLY-409	O - RING	2
206	PBI-IW38BFLY-206	HAMMER	2	410	PBI-IW38BFLY-410	SPRING	2
207	PBI-IW38BFLY-207	HAMMER CAM	1	411	PBI-IW38BFLY-411	REGULATOR BODY	1
301	PBI-IW38BFLY-301	BEARING	1	412	PBI-IW38BFLY-412	O - RING	5
302	PBI-IW38BFLY-302	FRONT BEARING PLATE	1	413	PBI-IW38BFLY-413	DISCHARGE SHEET	1
303	PBI-IW38BFLY-303	ROTOR	1	414	PBI-IW38BFLY-414	REGULATOR	1
304	PBI-IW38BFLY-304	BLADES	5	415	PBI-IW38BFLY-415	SPRING	1
305	PBI-IW38BFLY-305	CYLINDER	1	416	PBI-IW38BFLY-416	BALL	1
306	PBI-IW38BFLY-306	PIN	1	417	PBI-IW38BFLY-417	HALF ROUND HD.HEX.BOLT	1
307	PBI-IW38BFLY-307	REAR END PLATE	1	418	PBI-IW38BFLY-418	BOLT ASSY	2
308	PBI-IW38BFLY-308	BEARING	1	419	PBI-IW38BFLY-419	SPRING PIN	1
401	PBI-IW38BFLY-401	TRIGGER	1	420	PBI-IW38BFLY-420	AIR PLUG	1
402	PBI-IW38BFLY-402	TRIGGER BUSHING	1	421	PBI-IW38BFLY-421	SPRING RETAINER	1