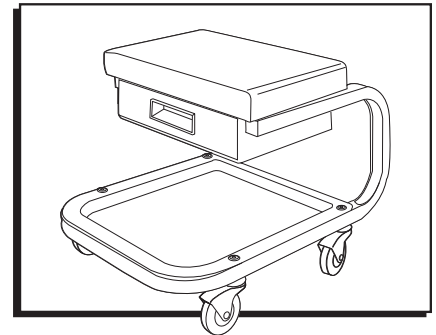
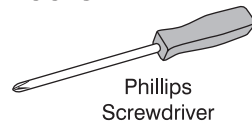


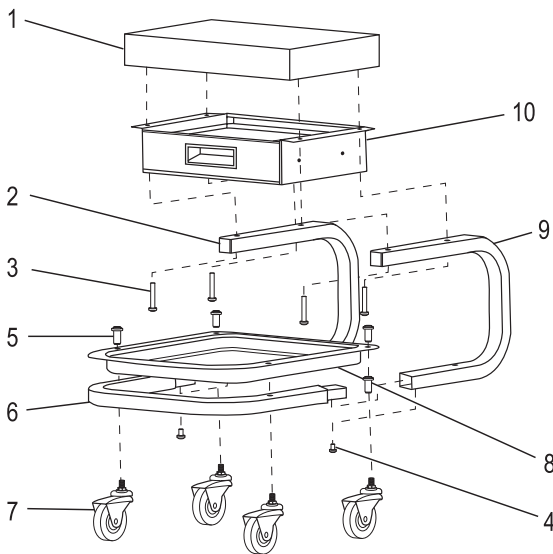
# MECHANIC'S ROLLER SEAT WITH DRAWER

PROD. NO. 355155  
MOD. NO. JMS-641D

## TOOLS NEEDED



## PARTS



Nº	DESCRIPTION	QTY
1	SEAT CUSHION	1
2	PLASTIC INSERT	2
3	BOLT (M6 X 45)	4
4	BOLT (M5 X 10)	2
5	NUT (M8 X 26)	4
6	LOWER BASE FRAME	1
7	CASTER	4
8	PLASTIC TRAY	1
9	UPPER BASE FRAME	2
10	DRAWER ASSEMBLY	1



**NOTE:** Items shown for assembly use only; replacement parts are unavailable.

## SAFETY



**WARNING!** Read all safety instructions before using this product.

- Do not exceed rated capacity of 300 lbs. (includes seated person and items which may be placed on base plate).
- Examine product before using. If casters, cylinder or seat appear damaged, discontinue use.
- Use product only on surfaces that are smooth, level and seamless.

- Sit down gently. Avoid shock loads to product caused by jumping or falling onto seat.
- Various components on this chair may present a pinch hazard.
- Do not stand on seat.
- Avoid sitting on edge of seat.

## ASSEMBLY

1. Use M6 x 45 bolts to mount drawer assembly and upper base frame to the seat cushion. Do not tighten the bolts until final step, in case of necessary adjustment.
2. Use M5 x 10 bolts to attach lower base frame's connection pipe to the upper base frame.
3. Use M8 x 26 bolts to attach plastic tray and casters to the lower base frame and upper base frame.
4. Tighten all bolts and nuts.