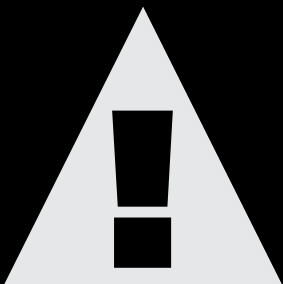




PROD NO.  
MOD NO. FJ48  
PROD NO.  
MOD NO. FJ60

# **48" / 60" Farm Jack Owner's Manual**



## **WARNING:**

Read all instructions and safety warnings before operating this equipment. Failure to follow the instructions and safety warnings may result in personal injury or property damage.



## **WARNING!**

The use of shop equipment is subject to certain hazards that cannot be prevented by mechanical means, but only by exercise of intelligence, care, and common sense. It is therefore essential to have personnel involved in the use and operation of equipment who are careful, competent, trained, and qualified in the safe operation of this equipment and its proper use. Examples of hazards are dropping, tipping, or slipping of parts/components caused primarily by improperly securing loads, overloading, off-centered loads, use on other than hard level surfaces, and using equipment for a purpose for which it was not designed.

The owner and / or operator shall study and understand the product and safety instructions before operating this equipment. Safety information shall be emphasized and understood. If the operator is not fluent in English, the product and safety instructions shall be read to and discussed with the operator in the operator's native language by the purchaser / owner or his designee, making sure that the operator comprehends their contents. A copy of these instructions / warnings shall be retained for future reference.

## **SAFETY WARNINGS**

1. Study, understand, and follow all instructions before operating this device.
2. This jack is for lifting purposes only. Immediately after lifting, support the vehicle with appropriate means.
3. Use only on a hard, level surface.
4. Ensure jack will not slip after load is applied.
5. Ensure lift arm is fully engaged under load to be lifted.
6. Ensure load is stable prior to and during lifting and lowering of load.
7. Do not use handle extensions.
8. Do not carry jack by handle.
9. Do not exceed rated capacity.
10. No alterations shall be made to this product.
11. Do not move the vehicle while on the jack.
12. Lift only on areas of the vehicle as specified by the vehicle manufacturer.
13. Failure to heed these markings may result in personal injury and/or property damage.

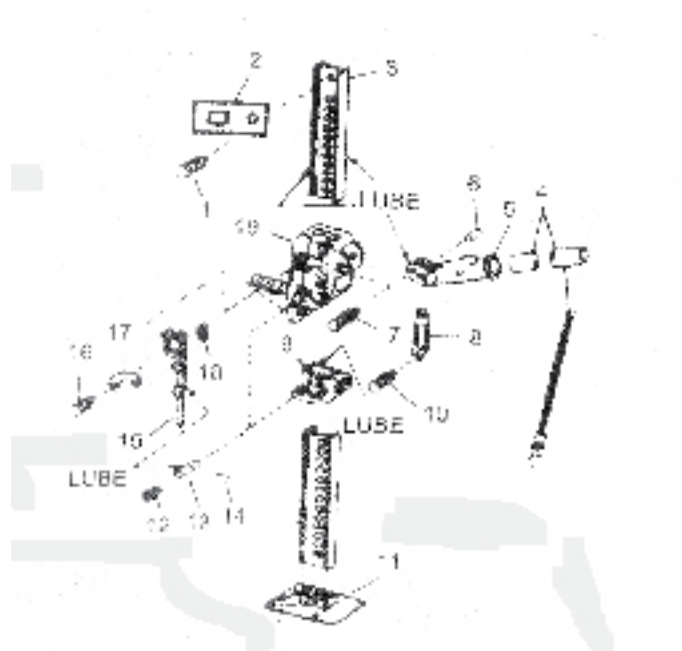
## **INSPECTION**

Visual inspection shall be made before each use of this equipment, checking for abnormal conditions, such as cracked welds, leaks, damaged, loose or missing parts. This equipment shall be removed immediately from service if it is believed to have been subjected to an abnormal or shock load, the equipment shall be inspected by a qualified repair facility. Owners and / or operators should be aware that repair of this equipment may require specialized knowledge and facilities. It is recommended that this equipment be inspected annually by a qualified repair facility. Defective parts, decals, safety labels or signs should be replaced with ITC specified parts.



## PARTS LIST:

## PARTS DIAGRAM

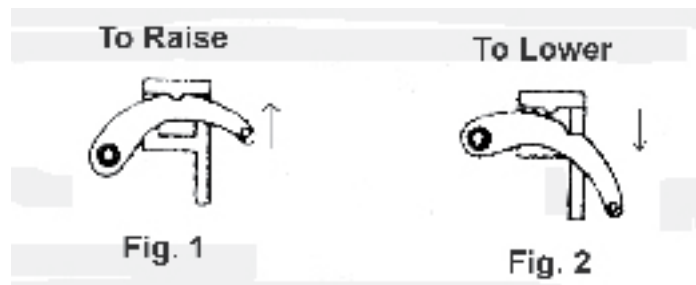




## DIRECTIONS FOR USE

### To Raise Jack:

1. Place the lower foot of the jack beneath the load.
2. Lift the Reversing Latch (Fig. 1) to its "UP" position and ensure it is locked in place, with the indentation in the Latch, firmly engaged in the notch on the Reversing Switch
3. Raise and lower the jack handle until the foot of the jack comes into contact with load, as load is being raised ensure load remains stable and does not shift. If load shifts, slowly lower the load and reposition the jack accordingly.
4. Pull down firmly and evenly on the handle and observe the load being lifted. As the handle is pulled down, you will hear the climbing pin (13) click into place as it locates the next hole in the steel bar (3). At this point, slowly relax the handle allowing the pin to take the load, to continue raising the load, raise the handle and repeat.



### To Lower Jack:

**IMPORTANT - THE JACK MUST BE LOADED WITH A MINIMUM OF 50KG (110 LBS) TO LOWER STEP BY STEP, OTHERWISE THE LIFTING FOOT WILL DROP TO THE BOTTOM OF THE JACK.**

1. Prior to lowering the load, ensure the work area is free of debris and obstructions.
2. Take the load with the jack (ie. jack the load up slightly) and ensuring the handle is in the FULLY UPRIGHT position, trip the Reversing Latch (17), so that it is in the "Down" position. The indentation on the latch should be disengaged from the notch on the reversing switch.
3. Keeping a firm grip on the handle, raise and lower the handle as you would for raising a load.

#### BRANCHES:

##### Vancouver

3260 Production Way  
Burnaby, BC V5A 4W4  
Tel: (604) 444-5300  
Toll Free: 1-800-472-7685  
Fax: (604) 444-9227

##### Edmonton

5239 - 86th Street  
Edmonton, AB T6E 6T1  
Tel: (780) 468-9400  
Toll Free: 1-800-472-7685  
Fax: (780) 468-2223

##### Winnipeg

951 Powell Avenue  
Winnipeg, MB R3H 0H4  
Tel: (204) 632-6970  
Toll Free: 1-800-665-7524  
Fax: (204) 694-9534

##### Toronto

979 Gana Court  
Mississauga, ON L5S 1N9  
Tel: (905) 565-8661  
Toll Free: 1-800-387-3879  
Fax: (905) 565-7266

##### Montreal

4620, rue Garand  
St. Laurent, QC H4R 2A2  
Tel: (514) 332-4618  
Toll Free: 1-800-363-2885  
Fax: (514) 332-4777

##### Halifax

110 - 11 Morris Drive  
Dartmouth, NS B3B 1M2  
Tel: (902) 468-8324  
Toll Free: 1-800-472-7686  
Fax: (902) 468-3461

