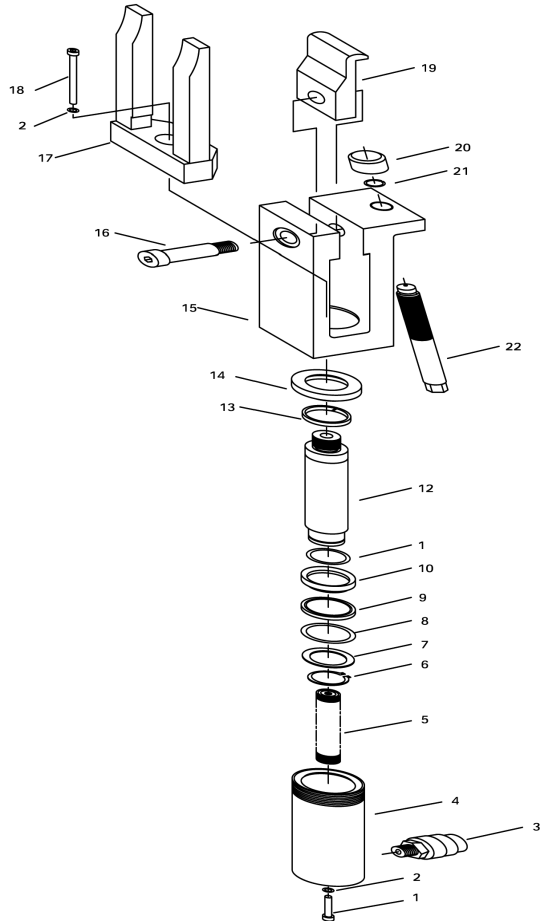


BEAD BREAKER PROD NO 030491 MODEL BBRKG



REF	PART NUMBER	DESCRIPTION	REQ	REF	PART NUMBER	DESCRIPTION	REQ
1	PEP-030491-01	SCREW M6 X 35	1	13	PEP-030491-13	PILOT RING	1
2	PEP-030491-02	WASHER	2	14	PEP-030491-14	BOUND RING	1
3	PEP-030491-03	TIE-IN ASSY.	1	15	PEP-030491-15	TOE HOUSINQ	1
4	PEP-030491-04	CYLINDER	1	16	PEP-030491-16	TABLE PIN	1
5	PEP-030491-05	RETURN SPRING ASSY.	1	17	PEP-030491-17	TOE BODY	1
6	PEP-030491-06	SNAP RING	1	18	PEP-030491-18	SCREW M6 X 90	1
7	PEP-030491-07	WASHER	1	19	PEP-030491-19	TOE	1
8	PEP-030491-08	O-RING	1	20	PEP-030491-20	TOP CAP	1
9	PEP-030491-09	SEALING WASHER	1	21	PEP-030491-21	SNAP RINQ	1
10	PEP-030491-10	PISTON RING	1	22	PEP-030491-22	SCREW	1
11	PEP-030491-11	O-RING	1	22	PEP-030491-22	SCREW	1
12	PEP-030491-12	RAM PISTON	1				