



AMERICAN FORGE & FOUNDRY

MODEL NO.: 5650SD

50-TON AIR/HYDRAULIC BOTTLE JACK

Owner's Manual



WARNING:

IMPORTANT: READ THESE INSTRUCTIONS AND ALL WARNINGS PRIOR TO USING THIS EQUIPMENT. UNDERSTAND ALL OPERATING PROCEDURES, SAFETY WARNINGS AND MAINTENANCE REQUIREMENTS. FAILURE TO DO SO COULD CAUSE AN ACCIDENT RESULTING IN SERIOUS OR FATAL INJURY AND/OR PERSONAL PROPERTY DAMAGE.





SAFETY INFORMATION

Important: Read these instructions carefully. **NOTE THE SAFE OPERATIONAL REQUIREMENTS, WARNINGS, AND CAUTIONS. USE THIS JACK CORRECTLY AND WITH CARE FOR THE PURPOSE FOR WHICH IT IS INTENDED.** Failure to do so may cause damage or personal injury and will invalidate the warranty. Retain these INSTRUCTIONS for future use.

To avoid personal injury or property damage during operation, read and follow all **CAUTIONS, WARNINGS, and INSTRUCTIONS** included with, or attached to, each product.

SAFETY INSTRUCTIONS AND WARNINGS

- 1.1 Use a qualified person to maintain the jack in good condition.
- 1.2 The maximum load is 50 tons. **DO NOT** exceed this rated capacity.
- 1.3 Use this jack for lifting purposes only. **DO NOT** use it for any other purpose it is not designed to perform.
- 1.4 Keep children and unauthorized persons away from the work area.
- 1.5 Remove ill-fitting clothing. Remove ties, watches, rings, and other loose jewelry, and contain long hair.
- 1.6 Wear ANSI-approved safety goggles when operating the jack.
- 1.7 Keep proper balance and footing, do not overreach and wear nonslip footwear.
- 1.8 Use only on hard, level surfaces
- 1.9 When lifting a vehicle, apply the emergency brake and chock all wheels.
- 1.10 Lifting device only. Immediately after lifting, support the vehicle with the appropriate means such as safety stands.
- 1.11 Before lowering the load, ensure that there are no obstructions underneath and that all persons are standing clear.
- 1.12 **DO NOT** attempt to move the load while on the jack.
- 1.13 **DO NOT** use the jack if damaged or it has been subjected to a shock load.
- 1.14 **DO NOT** operate the jack when you are tired or under the influence of alcohol, drugs, or any intoxicating medication.
- 1.15 **DO NOT** allow untrained persons to operate the jack.
- 1.16 **DO NOT** make any modifications to the jack.
- 1.17 **DO NOT** use brake fluid or any other improper fluids and avoid mixing different types of oil when adding hydraulic oil. Only use a good-quality hydraulic jack oil.
- 1.18 **DO NOT** expose the jack to rain or any other type of bad weather.
- 1.19 Jack must be maintained and repaired by an authorized technician, only using replacement parts supplied by the manufacturer.
- 1.20 Failure to heed these instructions may result in personal injury and/or property damage.

The warnings, precautions, and instructions discussed in this manual cannot cover all possible conditions and situations that may occur. The operator must understand that common sense and caution are factors which cannot be built into this product, but must be supplied by the operator.



SPECIFICATIONS

Capacity	50 TONS
Minimum Height	11.8"
Stroke	6.7"
Maximum Height	18.5"
Air Pressure	110–120 PSI
Air Inlet Fitting	1/4" NPT

OPERATING INSTRUCTIONS

⚠ WARNING

Ensure that you read, understand and apply the safety instructions and warnings before use.

⚠ WARNING

Ensure that you have familiarized yourself thoroughly with the product and the hazards associated with its improper use.

- 3.1 Before first use of this product, add a few drops of good quality air tool lubricant into the hose quick coupler male (46) of the air quick coupler female. Connect it to the air source and turn on the air valve. Work for 3 seconds to evenly distribute lubricant.
- 3.2 Use the slotted end of the handle (57) to turn the release valve (35) clockwise until it is firmly closed.
- 3.3 Apply the emergency brake and use wheel chocks to prevent any movement of the vehicle during lifting.
- 3.4 Place the jack into position and adjust the extension screw on part (7) as needed.

NOTE: Check in your vehicle owner's manual for the location of recommended lift point.

- 3.5 Connect the air quick coupler male (46) into the shop air supply hose quick coupler female, then turn on the air valve.
- 3.6 Raise the load to desired height, turn off the air valve and immediately **USE JACK STANDS** with adequate capacity to support the load.
- 3.7 When air source is not available, insert the big end of the handle into the handle bracket (55) and pump it manually to raise the load to desired height. Immediately transfer the load to appropriate support devices such as jack stands.

⚠ WARNING

Be sure all tools and personnel are clear before lowering load.

- 3.8 When lowering, raise load enough to carefully remove the jack stands **SLOWLY** and **CAREFULLY** lower the load by turning the release valve counterclockwise (use the slotted end of the handle) in extremely small increments, then lower the extension screw by turning it clockwise as needed and remove the jack.

⚠ WARNING

Dangerous dynamic shock loads are created by quick opening and closing the release valve when the load is being lowered. The resulting overload may cause hydraulic system failure which could cause severe personal injury and/or property damage.



MAINTENANCE

- 4.1 Clean the outside of the jack with a dry, clean, and soft cloth and periodically lubricate the joints, extension screw, and all moving parts with a light oil as needed.
 - 4.2 When not in use, store the jack in a dry location with ram and extension screw (7) fully lowered.
 - 4.3 Purge the hydraulic system to eliminate any air in the system if jack efficiency drops or jack doesn't work:
 - A. If manual operation performs poorly, use the slotted end of the handle to turn the release valve 1-1/2 turns counterclockwise and remove the oil filler screw (24). Insert the handle into the handle bracket and pump it 10 to 15 times, then tighten the screw.
 - B. If air operation performs poorly, connect the air inlet fitting to air source, use the slotted end of the handle to turn the release valve 1-1/2 turns counterclockwise and remove the oil filler screw (24). Turn on the air valve to let the pump work for one minute, then replace the filler plug.
 - 4.4 Check the hydraulic oil: place the jack in an upright position, completely lower the ram and remove the filler screw. If it is not adequate, fill with high quality #15 hydraulic jack oil to the lower rim of the fill hole, purge away air from the hydraulic system as described in 4.3, top off with more hydraulic oil, then tighten the screw.
 - 4.5 For best performance and longest life, completely replace the jack oil at least once per year: With the ram fully lowered, remove the oil filler plug, lay the jack on its side and drain the oil into a suitable container, then fill with high quality #15 hydraulic jack oil as described in 4.4, tighten the filler screw.
- NOTE:** Dispose of hydraulic oil in accordance with local regulations.
- 4.6 It is recommended that an annual inspection be done by qualified technicians.



TROUBLESHOOTING

PROBLEM	CAUSE	REMEDY
Jack will not lift load	<ol style="list-style-type: none"> 1. Release valve not tightly closed 2. Overload condition 3. Air supply inadequate 4. Air trapped in system 	<ol style="list-style-type: none"> 1. Close release valve firmly 2. Remedy overload condition 3. Ensure adequate air supply 4. Purge away air from system
Jack will lift, but will not maintain pressure	<ol style="list-style-type: none"> 1. Release valve not tightly closed 2. Overload condition 3. Hydraulic unit malfunction 	<ol style="list-style-type: none"> 1. Close release valve firmly 2. Remedy overload condition 3. Contact your dealer
Will not lower after unloading	<ol style="list-style-type: none"> 1. Reservoir over filled 2. Linkages binding 	<ol style="list-style-type: none"> 1. Drain oil to proper level 2. Clean and lubricate moving parts
Poor lift performance	<ol style="list-style-type: none"> 1. Hydraulic oil level low 2. Air trapped in system 	<ol style="list-style-type: none"> 1. Add oil to proper level 2. Purge away air from system
Will not lift to max height	<ol style="list-style-type: none"> 1. Hydraulic oil level low 	<ol style="list-style-type: none"> 1. Add oil to proper level

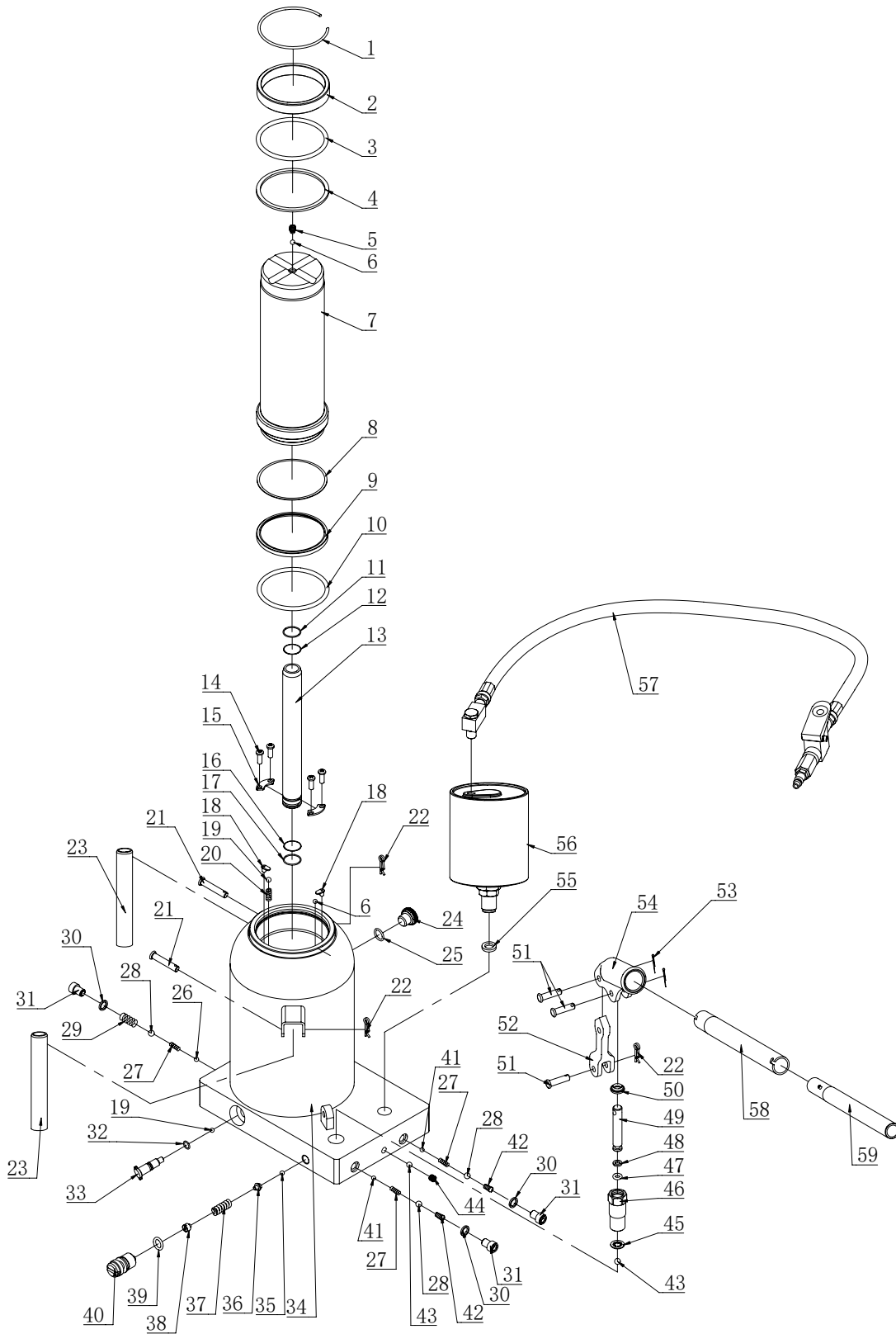
PARTS LIST

PART NUMBER	KIT DESCRIPTION	REF. #	KIT INCLUDES
5650SD-55	Copper Washer	55	Copper Washer
5650SD-56	Air Motor	56	Air Motor
5650SD-57	Air Hose	57	Air Hose
5650SD-58	Handle	58	Handle 1
		59	Handle 2

PART NUMBER	KIT DESCRIPTION	REF. #	KIT INCLUDES
5650SD-33	Screw Release	33	Screw Release
		31	O-Ring
		19	Steel Ball
5650SD-RK	Repair Kit		Repair Kit



PARTS BREAKDOWN





AMERICAN FORGE & FOUNDRY

LIMITED WARRANTY

SureWerx USA WARRANTS TO ITS CUSTOMERS THAT SureWerx USA “AFF” BRANDED PRODUCTS ARE FREE FROM DEFECTS IN WORKMANSHIP AND MATERIALS.

SureWerx USA will repair or replace its **SureWerx USA “AFF”** branded products which fail to give satisfactory service due to defective workmanship or materials, based upon the terms and conditions of the following described warranty plans attributed to that specific product. This product carries a ONE-YEAR warranty. During this warranty period, **SureWerx USA** will repair or replace at our option any part or unit which proves to be defective in material or workmanship.

OTHER IMPORTANT WARRANTY INFORMATION:

This warranty does not cover damage to equipment or tools arising from alteration, abuse, misuse, damage and does not cover any repairs or replacement made by anyone other than **SureWerx USA**. The foregoing obligation is **SureWerx USA's** sole liability under this or any implied warranty and under no circumstances shall we be liable for any incidental or consequential damages.

Note: Some states do not allow the exclusion or limitation of incidental or consequential damages, so the above limitation or exclusion may not apply to you. If you have any questions about warranty service, please contact **SureWerx USA**. This warranty gives you specific legal rights and you may also have other rights which vary from state to state.



SUREWERX, USA INC.,

325 CORPORATE DRIVE, ELGIN, IL USA 60123

SUREWERX.COM/USA

AFFJAXX.COM