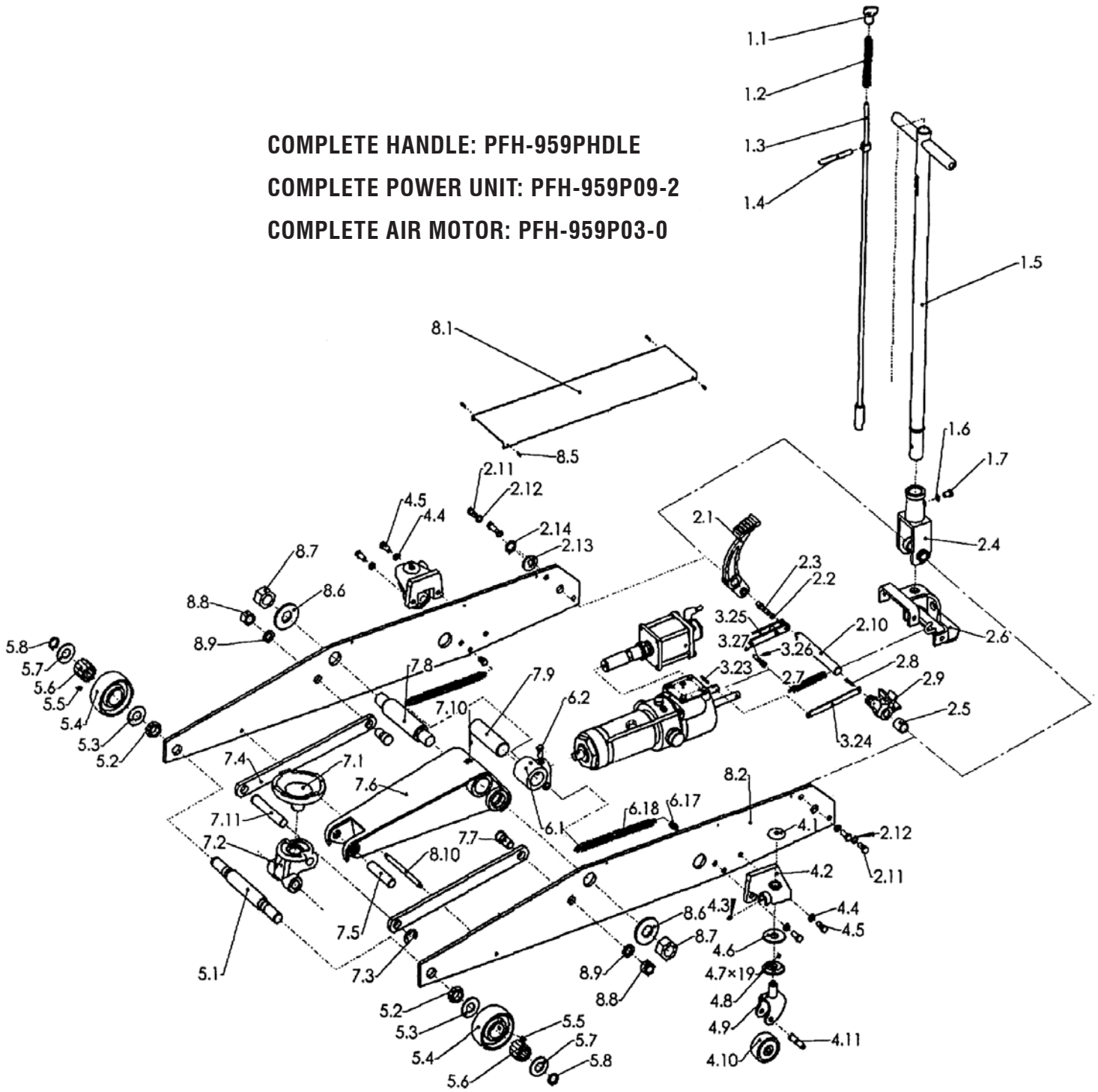


10 Ton Air/Hydraulic Service Jack — Heavy Duty

PROD. NO. 030466

MOD. NO. 959

COMPLETE HANDLE: PFH-959PHDLE
COMPLETE POWER UNIT: PFH-959P09-2
COMPLETE AIR MOTOR: PFH-959P03-0

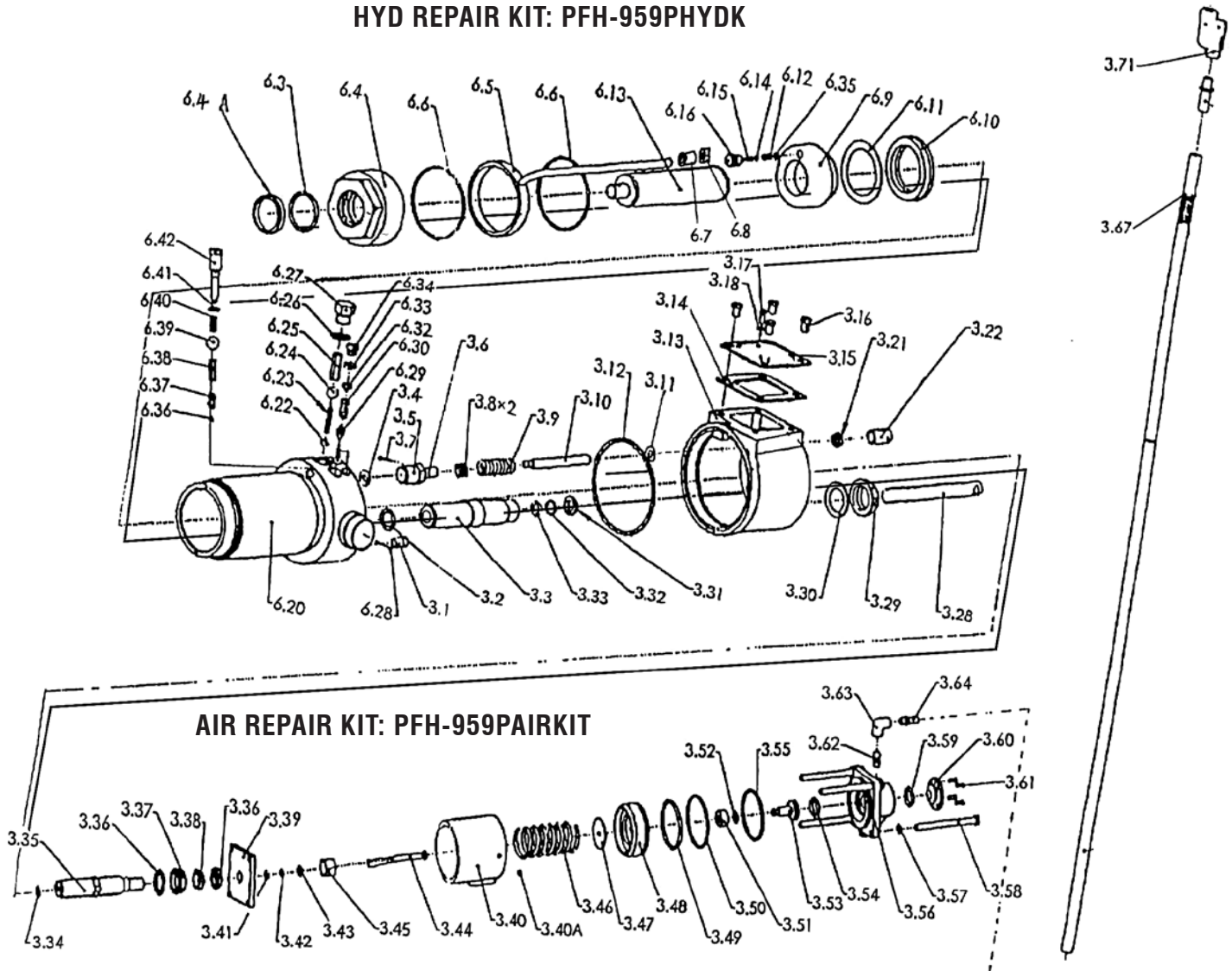


10 Ton Air/Hydraulic Service Jack — Heavy Duty

PROD. NO. 030466

MOD. NO. 959

HYD REPAIR KIT: PFH-959PHYDK



10 Ton Air/Hydraulic Service Jack — Heavy Duty

PROD. NO. 030466

MOD. NO. 959

REF	PART NUMBER	DESCRIPTION	REF	PART NUMBER	DESCRIPTION
1.1	PFH-957P01-1	CAP	3.64	PFH-728CP4-32	UNION
1.2	PFH-957P01-2	COMPRESSION SPRING	3.65	PFH-728CP4-33	CLAMP RING
1.3	PFH-957P01-3	DEFLECTOR ROD	3.66	PFH-727CP25	HOSE
1.4	PFH-957P01-4	SCREW ROD	3.67	PFH-728CP4-36	SPRING
1.5	PFH-957P01-5	CONTROL ROD (HANDLE)		PFH-959P03-0	AIR MOTOR ASSY
XX	PFH-957P09-0	HANDLE COMPLETE	3-71	PFH-380CP01	AIR VALVE ASSY
1.6	PFH-957P01-6	WASHER	4.1	PYA-970P04-14	COVER
1.7	PFH-957P01-7	FASTENING SCREW	4.2	PFH-959P04-2	WHEEL COVER
2.1	PFH-957P02-1	FOOT PEDAL	4.3	PFH-957P04-3	INJECTING OIL NOZZLE
2.2	PFH-957P02-2	WIRE	4.4	PFH-957P04-4	WASHER
2.3	PFH-957P02-3	PIN	4.5	PFH-957P04-5	SCREW
2.4	PFH-957P02-4	FORK MEMBER	4.6	PFH-959P04-6	BEARING COVER
2.5	PFH-957P02-5	BUSH	4.7	PFH-959P04-7	STEEL BALL
2.5	PFH-957P02-5A	BUSH	4.8	PFH-959P04-8	BEARING HOLDER
2.6	PFH-959P02-6	BASE	4.9	PFH-959P04-9	WHEEL FORK
2.7	PFH-957P02-7	SPRING	4.10	PFH-957P04-10	WHEEL
2.8	PFH-957P02-8	PIN	4.11	PFH-959P04-11	RIVET
2.9	PFH-957P02-9	CAP		PFH-957P04-0	CASTER ASSY COMP
2.10	PFH-957P02-10	SHAFT	5.1	PFH-957P05-1	AXLE
2.11	PFH-955P02-11	SCREW	5.2	PFH-957P05-2	NUT
2.12	PCN-952BP09	WASHER	5.3	PFH-957P05-3	STOP RING
2.13	PYA-970P11-12	WASHER	5.4	PFH-957P05-4	WHEEL
2.14	PCN-952BP15	CLAMP RING	5.5	PFH-957P04-3	GREASE NIPPLE
3.1	PFH-955P03-1	FILTER	5.6	PFH-957P05-6	ROLLER (EA)-(13 REQ'D PER SET)
3.2	PFH-955P03-2	COPPER PACKING	5.7	PFH-957P05-3	STOP RING
3.3	PFH-955P03-3	OUTSIDE TUBE	5.8	PFH-957P05-8	SPLIT RING
3.4	PYA-970P06-6	PACKING	6.1	PFH-957P06-1	JOINT
3.5	PFH-957P03-5	REL VALVE HSG	6.2	PFH-959P06-2	SCREW
3-5S	PFH-957P03-5S	REL VALVE SPRING	6.3	PFH-957P06-3	O-RING
3-5R	PFH-957P03-5R	RELEASE VALVE PLATE	6.4	PFH-957P06-4	LARGE NUT
3.6	PFH-957P03-6	REL VALVE	6.4A	PFH-957P06-4A	WIPER SEAL
3.7	PFH-957P03-7	COTTER PIN	6.5	PFH-955P06-5	RING
3.8	PYA-970P10-5	LOCKING NUT	6.6	PFH-955P06-6	O-RING
3.9	PYA-970P10-8	SPRING	6.7	PFH-955P06-7	BUSH
3.10	PYA-970P10-4	REL VALVE ROD	6.8	PFH-955P06-8	SEAL RING
3.11	PFH-957P03-11	RUBBER RING	6.9	PFH-955P06-9	PISTON ROD & PISTON
3.12	PFH-957P03-12	RUBBER GASKET	6.10	PFH-957P06-10	PACKING
3.13	PFH-959P03-13	CYLINDER BODY	6.11	PFH-955P06-11	PACKING
3.14	PYA-970P07-7	DIAPHRAGM	6.12	PFH-955P06-12	SPRING
3.15	PFH-955P03-15	COVER PLATE	6.13	PFH-957P06-13	PISTON ROD & PISTON
3.16	PYA-970P07-3	BOLT	6.14	PFH-959P06-14	STEEL BALL
3.17	PFH-955P03-17	SCREW	6.15	PFH-955P06-15	PUSH NEEDLE
3.18	PFH-955P03-18	WASHER	6.16	PFH-955P06-16	VALVE SEAT

10 Ton Air/Hydraulic Service Jack — Heavy Duty

PROD. NO. 030466

MOD. NO. 959

REF	PART NUMBER	DESCRIPTION	REF	PART NUMBER	DESCRIPTION
3.19	PYA-970P07-6	FIBRE GASKET	6.17	PFH-957P06-17	SCREW
3.20	PFH-955P03-20	BOLT	6.18	PFH-957P06-18	SPRING
3.21	PYA-970P10-5	LOCKING NUT	6.20	PFH-959P06-20	OUTER BODY
3.22	PYA-970P10-9	FORK	6.22	PYA-970P04-9	STEEL BALL
3.23	PYA-970P10-12	COTTER PIN	6.23	PFH-955P06-23	SMALL PUSH ROD
3.24	PFH-957P03-24	CONNECTING ROD	6.24	PFH-955P06-24	LARGE STEEL BALL
3.25	PFH-959P03-25	DRIVING ROD	6.25	SP0955P06-25	SEPARATOR
3.26	PFH-957P03-26	COTTER PIN	6.26	PFH-957P06-26	PACKING
3.27	PFH-959P03-27	PIN	6.27	PFH-959P06-27	BOLT
3.28	PFH-957P03-28	PUMP PLUNGER	6.28	PFH-957P06-28	STEEL BALL
3.29	PFH-957P03-29	LOCKING NUT	6.29	PFH-957P06-29	VALVE SEAT
3.30	PFH-957P03-30	RUBBER GASKET	6.30	PFH-957P06-30	SPRING
3.31	PFH-957P03-31	O-RING	6.31	PFH-957P06-31	STOP BLOCK
3.32	PFH-957P03-32	STOP RING	6.32	PFH-959P06-32	PLUG SCREW
3.33	PFH-957P03-33	BUSH PREVENT RING	6.33	PFH-957P06-33	SEAL RING
3.34	PFH-959P03-34	WASHER	6.34	PFH-957P06-34	SCREW
3.35	PFH-959P03-35	OUTSIDE TUBE	6.35	PYA-970P05-21	WASHER
3.36	PFH-959P03-36	RING	6.36	PFH-959P06-36	STEEL BALL 5.97 MM
3.37	PFH-959P03-37	FASTENING NUT	6.37	PFH-728CP03-6	SPRING
3.38	PFH-959P03-38	NUT	6.38	PFH-728CP03-5	VALVE SEAT
3.39	PFH-959P03-39	CYLINDER BASE	6.39	PFH-959P06-39	STEEL BALL 8.7 MM
3.40	PFH-728CP3-16	PUMP BODY	6.40	PFH-728CP03-3	SPRING
3.41	PFH-959P03-41	RUBBER RING	6.41	PFH-728CP03-2	WASHER
3.42	PFH-959P03-42	SEAL RING	6.42	PFH-959P06-42	SCREW
3.43	PFH-959P03-43	PLUG BUSHING	7.1	PFH-957P07-1	SADDE
3.44	PFH-959P03-44	PLUG	7.2	PFH-957P07-6	ROCKER
3.45	PFH-959P03-45	CAP	7.3	PFH-959P07-3	STOP RING
3.46	PFH-728CP04-9	SPRING	7.3A	PFH-959P07-3A	STOP RING
3.47	PFH-959P03-47	SPRING HOLDER	7.4	PFH-957P07-4	LINK ROD
3.48	PFH-728CP4-15	PISTON	7.5	PFH-957P07-5	ARM PIN
3.49	PFH-728CP4-17	O-RING	7.6	PFH-957P07-6	ROCKER
3.50	PFH-728CP4-18	SEAL RING	7.7	PFH-957P07-7	BOLT
3.51	PFH-728CP4-19	SEAL THROTTLE	7.8	PFH-957P07-8	AXLE
3.52	PFH-728CP4-20	WASHER	7.9	PFH-957P07-9	ARM PIN
3.53	PFH-728CP4-23	THROTTLE ROD	7.10	PFH-955P07-10	GREASE NIPPLE
3.54	PFH-728CP4-24	O-RING	7.11	PFH-957P07-11	C-RING
3.55	PFH-728CP4-25	O-RING	8.1	PFH-957P08-1	COVER PLATE
3.56	PFH-728CP4-26	AIR PUMP BODY	8.2	PFH-957P08-2L	SIDE PLATE LEFT
3.57	PFH-728CP02-6	WASHER	8.2	PFH-957P08-2R	SIDE PLATE RIGHT
3.58	PFH-728CP4-28	BOLT	8.5	PFH-957P08-5	SCREW
3.59	PFH-728CP4-29	O-RING	8.6	PFH-955P08-6	WASHER
3.60	PFH-728CP4-30	BACK COVER	8.7	PYA-970P03-6	NUT
3.61	PFH-728CP4-31	SCREW	8.8	PFH-957P08-8	NUT
3.62	PFH-728CP431A	SCREW TUBE	8.9	PFH-957P08-9	WASHER
3.63	PFH-728CP431B	ELBOW JOINT	8.10	PFH-957P08-10	AXLE