

cushion grip series



JET EQUIPMENT & TOOLS LTD.

Introducing Our *NEW*
Cushion Grip
Screwdrivers, Nutdrivers, and
Multi-bit Drivers

- Super strong acetate handles resist impact and chemicals
- Integrated cushion grips provide all day comfort and increased torque

Professional **Tools.** Professional **Results.**

Screwdriver

SETS

SVCM

Steel



- Patented SVCM tool steel is up to 30% stronger than CRV screwdrivers
- Hardened and tempered for superior strength and improved durability
- Super strong acetate handles resist impact and chemicals
- Integrated cushion grips provide all day comfort and increased torque
- Chrome plated for superior corrosion resistance
- Precision machined blackened tips for superior fit in all screw head types
- Tip type printed on handles for easy identification in tool pouch
- Non-magnetic tips will not interfere with sensitive equipment



720564 JKS-9S 9 PC

- 3/16" x 3", 1/4" x 4" slot round shank
- 5/16" x 6" slot round shank
- #1 x 3", #2 x 4", #3 x 6" phillips
- #1 x 4", #2 x 4", #3 x 4" square

720562 JKS-4SL

4 PC Extra Long Screwdriver Set

- 3/8" x 10" slot round shank
- 3/8" x 12" slot round shank
- #2 x 10" phillips
- #2 x 8" square



720560 JKS-4SM

4 PC Mini Cushion Grip Screwdriver Set

- 1/16" x 3", 3/32" x 3", 1/8" x 3" slot
- #0 x 3" phillips



720566 JKS-14S 14 PC

- 1/4" x 1-1/2" slot stubby round shank
- 1/4" x 4", 5/16" x 6", 3/8" x 8" slot square shank
- 3/16" x 3", 3/16" x 6" cabinet tip
- #1 x 3", #2 x 1-1/2", #2 x 4", #3 x 6" phillips
- #1 x 4", #2 x 1-1/2", #2 x 4", #3 x 4" square

720531 JKMD-5S 5-IN-1 STUBBY MULTI-BIT DRIVER

- 3/16" slot • 1/4" slot
- #2 phillips • #2 square

720533 JKMD-6 6-IN-1 MULTI-BIT DRIVER

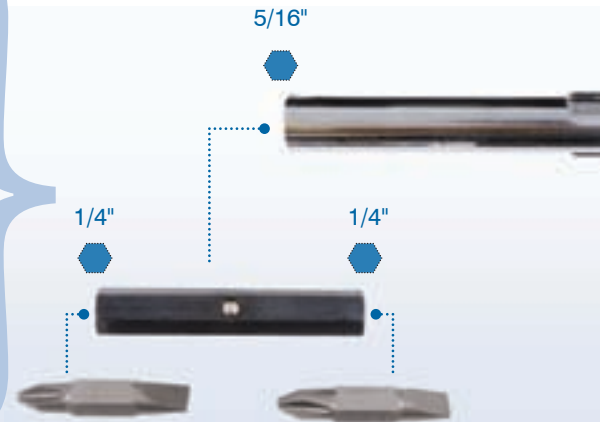
- 3/16" slot • 1/4" slot
- #2 phillips • #2 square

720534 JKMD-10 10-IN-1 MULTI-BIT DRIVER

- 3/16" & 1/4" slot
- #1, #2, #3 phillips
- #1, #2, #3 square
- 1/4" & 5/16" hex



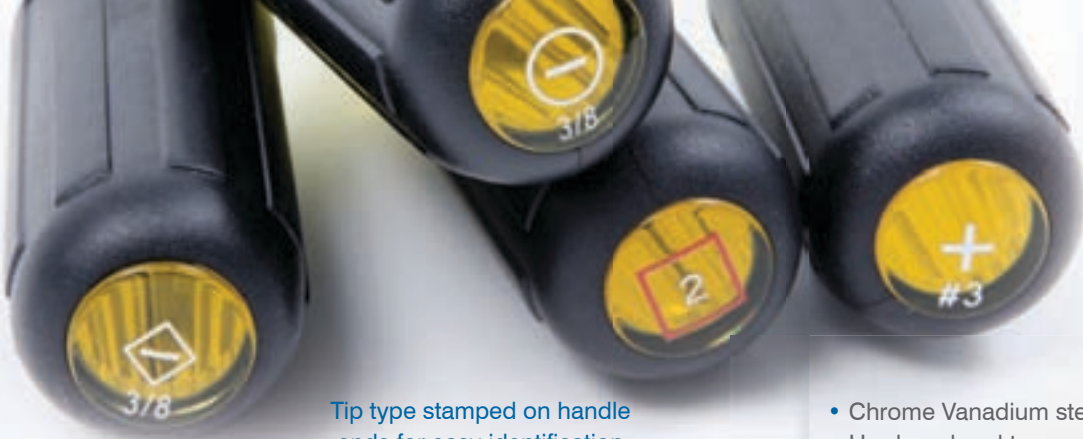
720534 JKMD-10 10-IN-1 MULTI-BIT DRIVER



Can be used as a nut driver with bits removed

Nutdriver SETS

CrV



Tip type stamped on handle ends for easy identification in tool pouch

- Chrome Vanadium steel for professional use
- Hardened and tempered for superior strength and improved durability
- Super strong acetate handles resist impact and chemicals
- Integrated cushion grips provide all day comfort and increased torque
- Chrome plated for superior corrosion resistance
- Hex bolster allows use of a wrench for increased torque
- Hollow shaft fits over long fasteners
- Socket size stamped on handles for easy identification in tool pouch
- Convenient plastic carrying case keeps nut drivers organized



721101 JKND-7S 7 PC S.A.E.

- 3/16" x 3" • 1/4" x 3"
- 5/16" x 3" • 11/32" x 3"
- 3/8" x 3" • 7/16" x 3"
- 1/2" x 3"

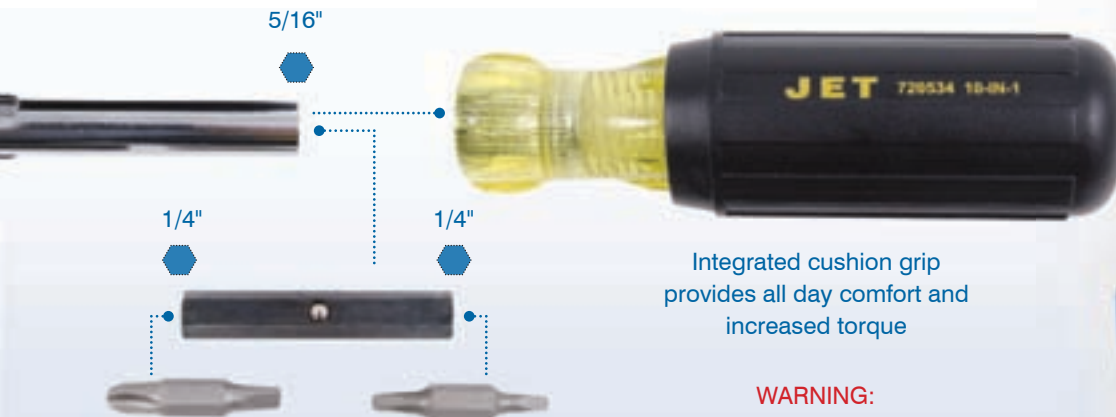
721102 JKND-7M 7 PC METRIC

- 6mm x 3" • 7mm x 3"
- 8mm x 3" • 9mm x 3"
- 10mm x 3" • 11mm x 3"
- 12mm x 3"

Multi-bit Driver SETS

Chrome plated for superior corrosion resistance

Super strong acetate handle resists impact and chemicals



Integrated cushion grip provides all day comfort and increased torque

Double ended bits for maximum versatility with minimal pieces

WARNING:
NOT insulated. Will NOT protect against electrical shock. Do NOT use to pry or chisel.



Multi-bit Driver

OPEN STOCK



REPLACEMENT BITS FOR PRODUCTS 720531 and 720534

Prod. No.	Description
720580	3/16" x PH1 BIT
720581	3/16" x R2 BIT
720582	1/4" x PH2 BIT
720583	R1 x R2 BIT
720584	PH3 x R3 BIT
720585	5/16" HEX x 1/4" HEX BIT

REPLACEMENT BITS FOR PRODUCT 720533

Prod. No.	Description
720592	1/8" SLOT x #0 PHILLIPS
720593	3/16" SLOT x #1 PHILLIPS
720594	1/4" SLOT x #2 PHILLIPS
720595	#1 SQUARE x #2 SQUARE
720596	T10 x T15 TORX
720597	T20 x T25 TORX
720598	1/8" HEX x 3/16" HEX
720599	5/16" SLOT x #3 PHILLIPS

Nutdriver

OPEN STOCK

Prod. No.	Description	Prod. No.	Description
721141	3/16" X 3"	721151	6MM X 3"
721142	1/4" X 3"	721152	7MM X 3"
721143	5/16" X 3"	721153	8MM X 3"
721144	11/32" X 3"	721154	9MM X 3"
721145	3/8" X 3"	721155	10MM X 3"
721146	7/16" X 3"	721156	11MM X 3"
721147	1/2" X 3"	721157	12MM X 3"

BRANCHES:

Vancouver
49 Schooner Street
Coquitlam, BC V3K 0B3
Tel: (604) 523-8665
Toll Free: 1-800-472-7685
Fax: (604) 526-5381
Toll Free: 1-800-663-7742

Edmonton
9720 - 12th Avenue SW
Edmonton, AB T6X 0J5
Toll Free:
Tel: 1-800-472-7685
Fax: 1-800-663-7742

Winnipeg
951 Powell Avenue
Winnipeg, MB R3H 0H4
Tel: (204) 632-6970
Toll Free: 1-800-665-7524
Fax: (204) 694-9534
Toll Free: 1-877-694-9534

Toronto
979 Gana Court
Mississauga, ON L5S 1N9
Tel: (905) 565-8661
Toll Free: 1-800-387-3879
Fax: (905) 565-7266
Toll Free: 1-800-267-3310

Montréal
4620, rue Garand
St. Laurent, QC H4R 2A2
Sans frais :
Tél : 1-800-363-2885
Télé : 1-800-267-3310

Halifax
110 - 11 Morris Drive
Dartmouth, NS B3B 1M2
Tel: (902) 468-8324
Toll Free: 1-800-472-7686
Fax: (902) 468-3461
Toll Free: 1-877-468-3461

®Registered trademark of JET Equipment & Tools Ltd. JET Equipment & Tools Ltd. is not responsible for typography and pricing errors. JET Equipment & Tools Ltd. reserves the right to cancel orders arising from any such errors. Prices are subject to corrections or changes without notice. We reserve the right to limit quantities. Taxes extra. JET products are only available in Canada.



Screwdriver

OPEN STOCK

Prod. No.	Description
720605	1/16" X 3" SLOT MINI
720606	3/32" X 3" SLOT MINI
720607	1/8" X 3" SLOT MINI
720612	1/4" X 4" SLOT SQUARE SHANK
720613	5/16" X 6" SLOT SQUARE SHANK
720616	3/8" X 8" SLOT SQUARE SHANK
720621	1/4" X 1-1/2" SLOT ROUND SHANK
720622	1/4" X 4" SLOT ROUND SHANK
720623	5/16" X 6" SLOT ROUND SHANK
720626	3/8" X 8" SLOT ROUND SHANK
720627	3/8" X 10" SLOT ROUND SHANK
720628	3/8" X 12" SLOT ROUND SHANK
720632	3/16" X 3" CABINET TIP
720633	3/16" X 4" CABINET TIP
720634	3/16" X 6" CABINET TIP
720635	3/16" X 8" CABINET TIP
720641	PH #0 X 3" PHILLIPS MINI
720642	#1 X 3" PHILLIPS
720644	#2 X 1-1/2" PHILLIPS
720646	#2 X 4" PHILLIPS
720648	#2 X 10" PHILLIPS
720649	#3 X 6 PHILLIPS
720653	#1 X 4" SQUARE
720654	#2 X 1-1/2" SQUARE
720656	#2 X 4" SQUARE
720658	#2 X 8" SQUARE
720659	#3 X 4 SQUARE



Montréal branch moving Fall, 2011

NPA11-HT720531-721157

