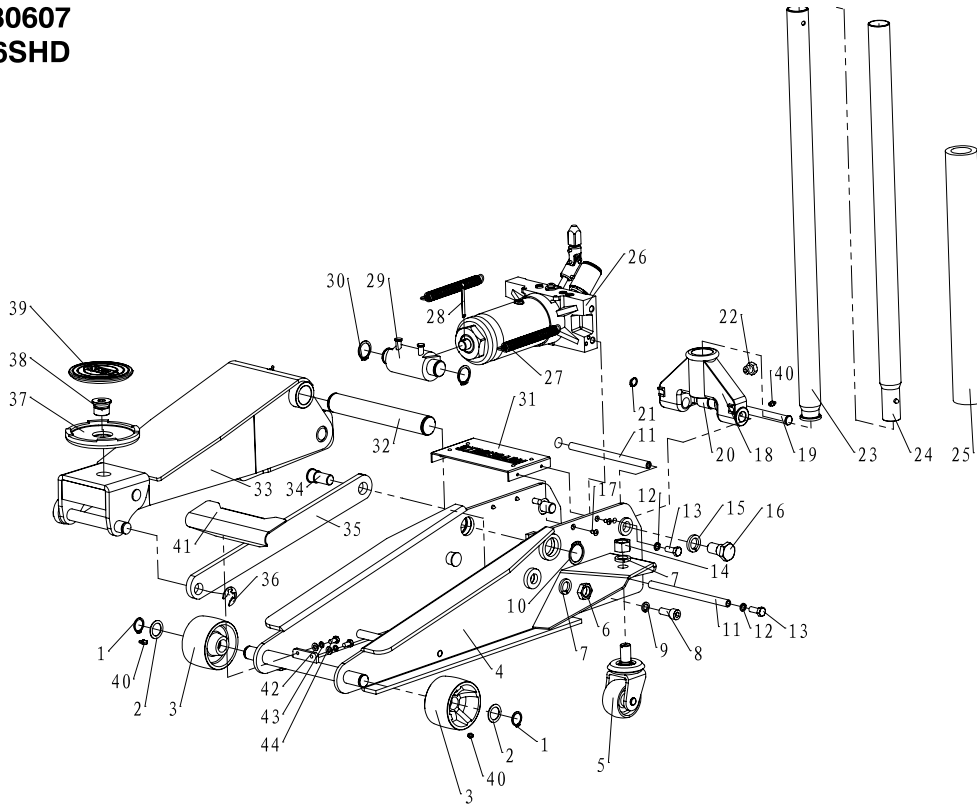


3.5-TON FLOOR JACK – SHD

PROD. NO. 030607

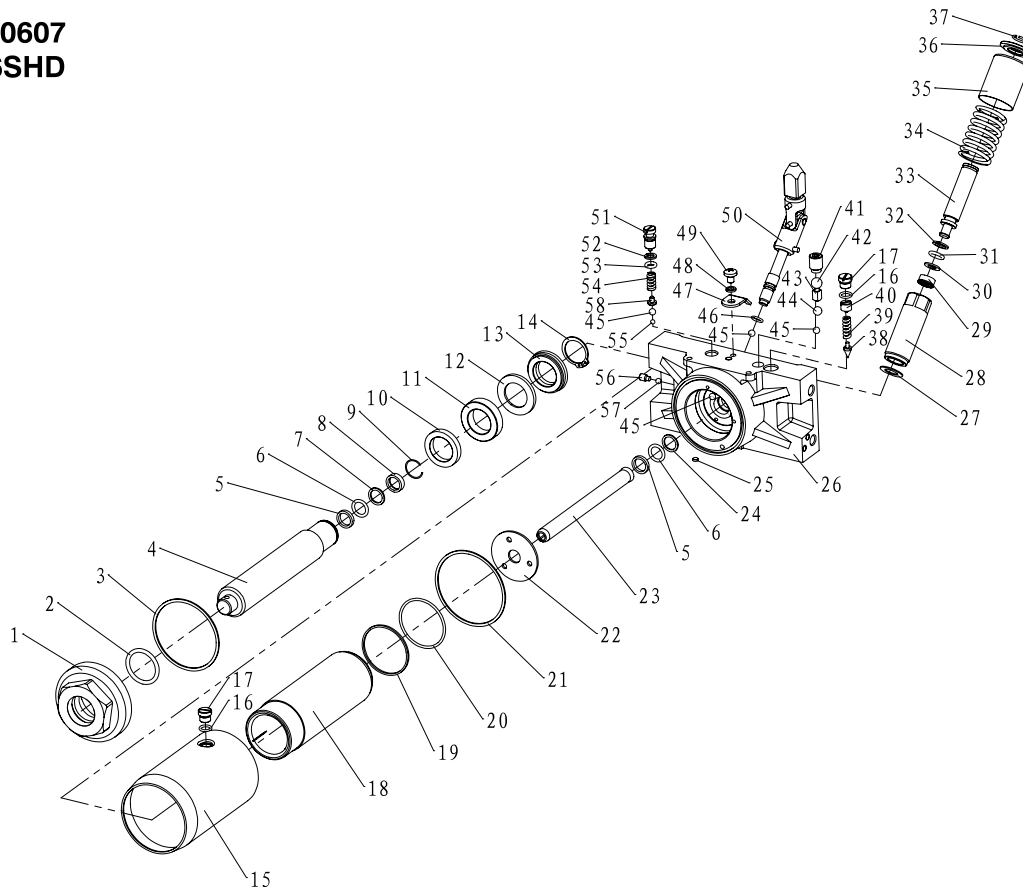
MOD. NO. 986SHD



REF	PART NUMBER	DESCRIPTION	REQ	REF	PART NUMBER	DESCRIPTION	REQ
1	PFH-986SHD-01	RETAINING RING 20	2	23	PFH-986SHD-23	HANDLE LOWER	1
2	PFH-986SHD-02	WASHER	2	24	PFH-986SHD-24	HANDLE UPPER	1
3	PFH-986SHD-03	FRONT WHEEL	2	25	PFH-986SHD-25	HANDLE BUMPER	1
4	PFH-986SHD-04	JACK FRAME	1	26	PFH-986SHD-26	POWER UNIT	1
5	PFH-986SHD-05	REAR CAST	2	27	PFH-986SHD-27	SPRING	2
6	PFH-986SHD-06	NUT M16	2	28	PFH-986SHD-28	SPLIT PIN 4X45	1
7	PFH-986SHD-07	SPRING WASHER 16	4	29	PFH-986SHD-29	BLOCK LINKAGE	1
8	PFH-986SHD-08	SCREW M10X25	4	30	PFH-986SHD-30	RETAINING RING 25	2
9	PFH-986SHD-09	SPRING WASHER 10	4	31	PFH-986SHD-31	COVER PLATE	1
10	PFH-986SHD-10	RETAINING RING 30	2	32	PFH-986SHD-32	SHAFT	1
11	PFH-986SHD-11	TIE ROD	2	33	PFH-986SHD-33	LIFT ARM	1
12	PFH-986SHD-12	SPRING WASHER 8	4	34	PFH-986SHD-34	SUPPORT BAR BOLT	2
13	PFH-986SHD-13	SCREW M8X20	4	35	PFH-986SHD-35	SUPPORT BAR	2
14	PFH-986SHD-14	NUT M16	2	36	PFH-986SHD-36	E RING 15	2
15	PFH-986SHD-15	SPRING WASHER 18	2	37	PFH-986SHD-37	SADDLE	1
16	PFH-986SHD-16	BOLT	2	38	PFH-986SHD-38	SCREW	1
17	PFH-986SHD-17	SCREW ST4.8X13	4	39	PFH-986SHD-39	SADDLE PAD	1
18	PFH-986SHD-18	HANDLE SOCKET	1	40	PFH-986SHD-40	OILER BOWL	5
19	PFH-986SHD-19	ROLLER PIN	1	41	PFH-986SHD-41	BAFFLE	1
20	PFH-986SHD-20	ROLLER	1	42	PFH-986SHD-42	WASHER 6	2
21	PFH-986SHD-21	RETAINING RING 12	1	43	PFH-986SHD-43	SPRING WASHER 6	2
22	PFH-986SHD-22	SCREW	1	44	PFH-986SHD-44	HEX BOLT M6X12	2

3.5-TON FLOOR JACK – SHD

PROD. NO. 030607
MOD. NO. 986SHD



REF	PART NUMBER	DESCRIPTION	REQ	REF	PART NUMBER	DESCRIPTION	REQ	REF	PART NUMBER	DESCRIPTION	REQ
1	PFH-986SHD-PH1	TANK NUT	1	20	PFH-986SHD-PH20	O-RING 46.2X2.2	1	40	PFH-986SHD-PH40	SCREW	1
2	PFH-986SHD-PH2	O-RING 36X3.5	1	21	PFH-986SHD-PH21	WASHER	1	41	PFH-986SHD-PH41	SCREW	1
3	PFH-986SHD-PH3	WASHER	1	22	PFH-986SHD-PH22	WASHER	1	42	PFH-986SHD-PH42	BALL 10	1
4	PFH-986SHD-PH4	RAM	1	23	PFH-986SHD-PH23	PISTON ROD	1	43	PFH-986SHD-PH43	SEPARATOR	1
5	PFH-986SHD-PH5	BACKUP RING	2	24	PFH-986SHD-PH24	WASHER	1	44	PFH-986SHD-PH44	BALL 8	1
6	PFH-986SHD-PH6	O-RING 12.5X2.65	2	25	PFH-986SHD-PH25	PERMANENT MAGNET	1	45	PFH-986SHD-PH45	BALL 6	4
7	PFH-986SHD-PH7	BACKUP RING	1	26	PFH-986SHD-PH26	VALVE BASE	1	46	PFH-986SHD-PH46	O-RING 8X1.8	1
8	PFH-986SHD-PH8	GUIDE RING	1	27	PFH-986SHD-PH27	WASHER	1	47	PFH-986SHD-PH47	LOCKER	1
9	PFH-986SHD-PH9	SNAP RING 17	1	28	PFH-986SHD-PH28	PUMP CASE	1	48	PFH-986SHD-PH48	SPRING WASHER 6	1
10	PFH-986SHD-PH10	SPACER RING	1	29	PFH-986SHD-PH29	U-SEAL	1	49	PFH-986SHD-PH49	SCREW	1
11	PFH-986SHD-PH11	GUIDE RING	1	30	PFH-986SHD-PH30	BACKUP RING	1	50	PFH-986SHD-PH50	RELEASE ASSEMBLY	1
12	PFH-986SHD-PH12	WASHER	1	31	PFH-986SHD-PH31	O-RING 10X2.65	1	51	PFH-986SHD-PH51	SCREW	1
13	PFH-986SHD-PH13	U-SEAL	1	32	PFH-986SHD-PH32	BACKUP RING	1	52	PFH-986SHD-PH52	BACKUP RING	1
14	PFH-986SHD-PH14	RETAINING RING 25	1	33	PFH-986SHD-PH33	PUMP CORE	1	53	PFH-986SHD-PH53	O-RING 6X2.65	1
15	PFH-986SHD-PH15	CYLINDER OUTER CASE	1	34	PFH-986SHD-PH34	PRESSURE SPRING	1	54	PFH-986SHD-PH54	PRESSURE SPRING	1
16	PFH-986SHD-PH16	O-RING 8.5X1.8	2	35	PFH-986SHD-PH35	PUMP OUTER CASE	1	55	PFH-986SHD-PH55	BALL 4	1
17	PFH-986SHD-PH17	SCREW	2	36	PFH-986SHD-PH36	PUMP COVER	1	56	PFH-986SHD-PH56	SCREW M6X10	1
18	PFH-986SHD-PH18	CYLINDER	1	37	PFH-986SHD-PH37	SNAP RING	1	57	PFH-986SHD-PH57	BALL 5	1
19	PFH-986SHD-PH19	BACKUP RING	1	38	PFH-986SHD-PH38	SAFETY VALVE	1	58	PFH-986SHD-PH58	BALL SADDLE	1
				39	PFH-986SHD-PH39	RELIEF VALVE SPRING	1		PFH-986SHD-PHRK	REPAIR KIT	1