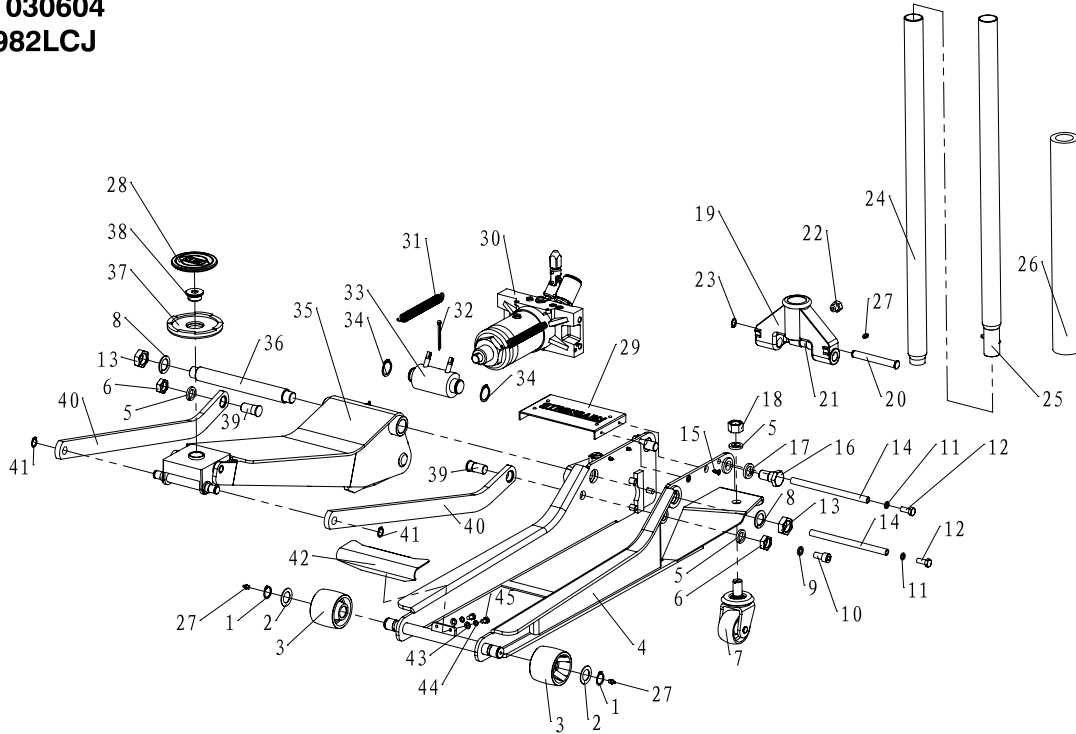


2-TON LOW-RIDER FLOOR JACK – SHD

PROD. NO. 030604

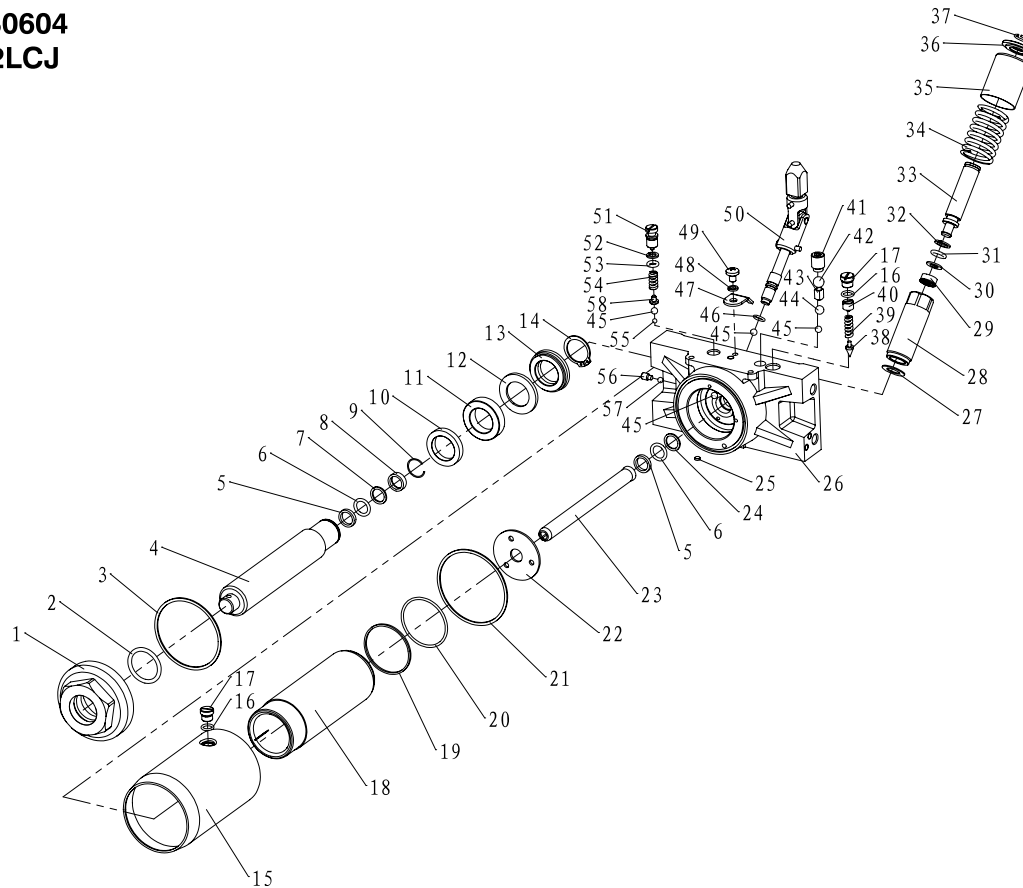
MOD. NO. 982LCJ



REF	PART NUMBER	DESCRIPTION	REQ	REF	PART NUMBER	DESCRIPTION	REQ
1	PFH-982LCJ-01	RETAINING RING	2	24	PFH-982LCJ-24	HANDLE LOWER	1
2	PFH-982LCJ-02	WASHER	2	25	PFH-982LCJ-25	HANDLE UPPER	1
3	PFH-982LCJ-03	WHEEL	2	26	PFH-982LCJ-26	HANDLE BUMPER	1
4	PFH-982LCJ-04	SIDE PLATE ASSY	1	27	PFH-982LCJ-27	OILER BOWL	5
5	PFH-982LCJ-05	SPRING WASHER	4	28	PFH-982LCJ-28	SADDLE PAD	1
6	PFH-982LCJ-06	HEX NUT	2	29	PFH-982LCJ-29	INSPECTION PLATE	1
7	PFH-982LCJ-07	CASTER ASSEMBLY	2	30	PFH-982LCJ-30	POWER UNIT ASSY	1
8	PFH-982LCJ-08	SPRING WASHER	2	31	PFH-982LCJ-31	SPRING	2
9	PFH-982LCJ-09	SPRING WASHER	4	32	PFH-982LCJ-32	SPLIT PIN	1
10	PFH-982LCJ-10	HEX BOLT	4	33	PFH-982LCJ-33	BLOCK LINKAGE	1
11	PFH-982LCJ-11	SPRING WASHER	5	34	PFH-982LCJ-34	RETAINING RING	2
12	PFH-982LCJ-12	HEX BOLT	4	35	PFH-982LCJ-35	LIFT ARM ASSY	1
13	PFH-982LCJ-13	HEX NUT	2	36	PFH-982LCJ-36	SHAFT ARM	1
14	PFH-982LCJ-14	PULL ROD	2	37	PFH-982LCJ-37	SADDLE	1
15	PFH-982LCJ-15	SCREW	4	38	PFH-982LCJ-38	SADDLE SCREW	1
16	PFH-982LCJ-16	BOLT	2	39	PFH-982LCJ-39	BOLT	2
17	PFH-982LCJ-17	SPRING WASHER	2	40	PFH-982LCJ-40	LONG LINKAGE	2
18	PFH-982LCJ-18	HEX NUT	2	41	PFH-982LCJ-41	RETAINING RING	2
19	PFH-982LCJ-19	HANDLE SOCKET	1	42	PFH-982LCJ-42	BAFFLE	1
20	PFH-982LCJ-20	ROLLER SHAFT	1	43	PFH-982LCJ-43	WASHER	2
21	PFH-982LCJ-21	ROLLER	1	44	PFH-982LCJ-44	SPRING WASHER	2
22	PFH-982LCJ-22	SCREW	1	45	PFH-982LCJ-45	HEX BOLT	2
23	PFH-982LCJ-23	RETAINING RING	1				

2-TON LOW-RIDER FLOOR JACK – SHD

PROD. NO. 030604
MOD. NO. 982LCJ



REF	PART NUMBER	DESCRIPTION	REQ	REF	PART NUMBER	DESCRIPTION	REQ	REF	PART NUMBER	DESCRIPTION	REQ
1	PFH-986SHD-PH1	TANK NUT	1	20	PFH-986SHD-PH20	O-RING 46.2X2.2	1	40	PFH-986SHD-PH40	SCREW	1
2	PFH-986SHD-PH2	O-RING 36X3.5	1	21	PFH-986SHD-PH21	WASHER	1	41	PFH-986SHD-PH41	SCREW	1
3	PFH-986SHD-PH3	WASHER	1	22	PFH-986SHD-PH22	WASHER	1	42	PFH-986SHD-PH42	BALL 10	1
4	PFH-986SHD-PH4	RAM	1	23	PFH-986SHD-PH23	PISTON ROD	1	43	PFH-986SHD-PH43	SEPARATOR	1
5	PFH-986SHD-PH5	BACKUP RING	2	24	PFH-986SHD-PH24	WASHER	1	44	PFH-986SHD-PH44	BALL 8	1
6	PFH-986SHD-PH6	O-RING 12.5X2.65	2	25	PFH-986SHD-PH25	PERMANENT MAGNET	1	45	PFH-986SHD-PH45	BALL 6	4
7	PFH-986SHD-PH7	BACKUP RING	1	26	PFH-986SHD-PH26	VALVE BASE	1	46	PFH-986SHD-PH46	O-RING 8X1.8	1
8	PFH-986SHD-PH8	GUIDE RING	1	27	PFH-986SHD-PH27	WASHER	1	47	PFH-986SHD-PH47	LOCKER	1
9	PFH-986SHD-PH9	SNAP RING 17	1	28	PFH-986SHD-PH28	PUMP CASE	1	48	PFH-986SHD-PH48	SPRING WASHER 6	1
10	PFH-986SHD-PH10	SPACER RING	1	29	PFH-986SHD-PH29	U-SEAL	1	49	PFH-986SHD-PH49	SCREW	1
11	PFH-986SHD-PH11	GUIDE RING	1	30	PFH-986SHD-PH30	BACKUP RING	1	50	PFH-986SHD-PH50	RELEASE ASSEMBLY	1
12	PFH-986SHD-PH12	WASHER	1	31	PFH-986SHD-PH31	O-RING 10X2.65	1	51	PFH-986SHD-PH51	SCREW	1
13	PFH-986SHD-PH13	U-SEAL	1	32	PFH-986SHD-PH32	BACKUP RING	1	52	PFH-986SHD-PH52	BACKUP RING	1
14	PFH-986SHD-PH14	RETAINING RING 25	1	33	PFH-986SHD-PH33	PUMP CORE	1	53	PFH-986SHD-PH53	O-RING 6X2.65	1
15	PFH-986SHD-PH15	CYLINDER OUTER CASE	1	34	PFH-986SHD-PH34	PRESSURE SPRING	1	54	PFH-986SHD-PH54	PRESSURE SPRING	1
16	PFH-986SHD-PH16	O-RING 8.5X1.8	2	35	PFH-986SHD-PH35	PUMP OUTER CASE	1	55	PFH-986SHD-PH55	BALL 4	1
17	PFH-986SHD-PH17	SCREW	2	36	PFH-986SHD-PH36	PUMP COVER	1	56	PFH-986SHD-PH56	SCREW M6X10	1
18	PFH-986SHD-PH18	CYLINDER	1	37	PFH-986SHD-PH37	SNAP RING	1	57	PFH-986SHD-PH57	BALL 5	1
19	PFH-986SHD-PH19	BACKUP RING	1	38	PFH-986SHD-PH38	SAFETY VALVE	1	58	PFH-986SHD-PH58	BALL SADDLE	1
				39	PFH-986SHD-PH39	RELIEF VALVE SPRING	1		PFH-986SHD-PHRK	REPAIR KIT	1