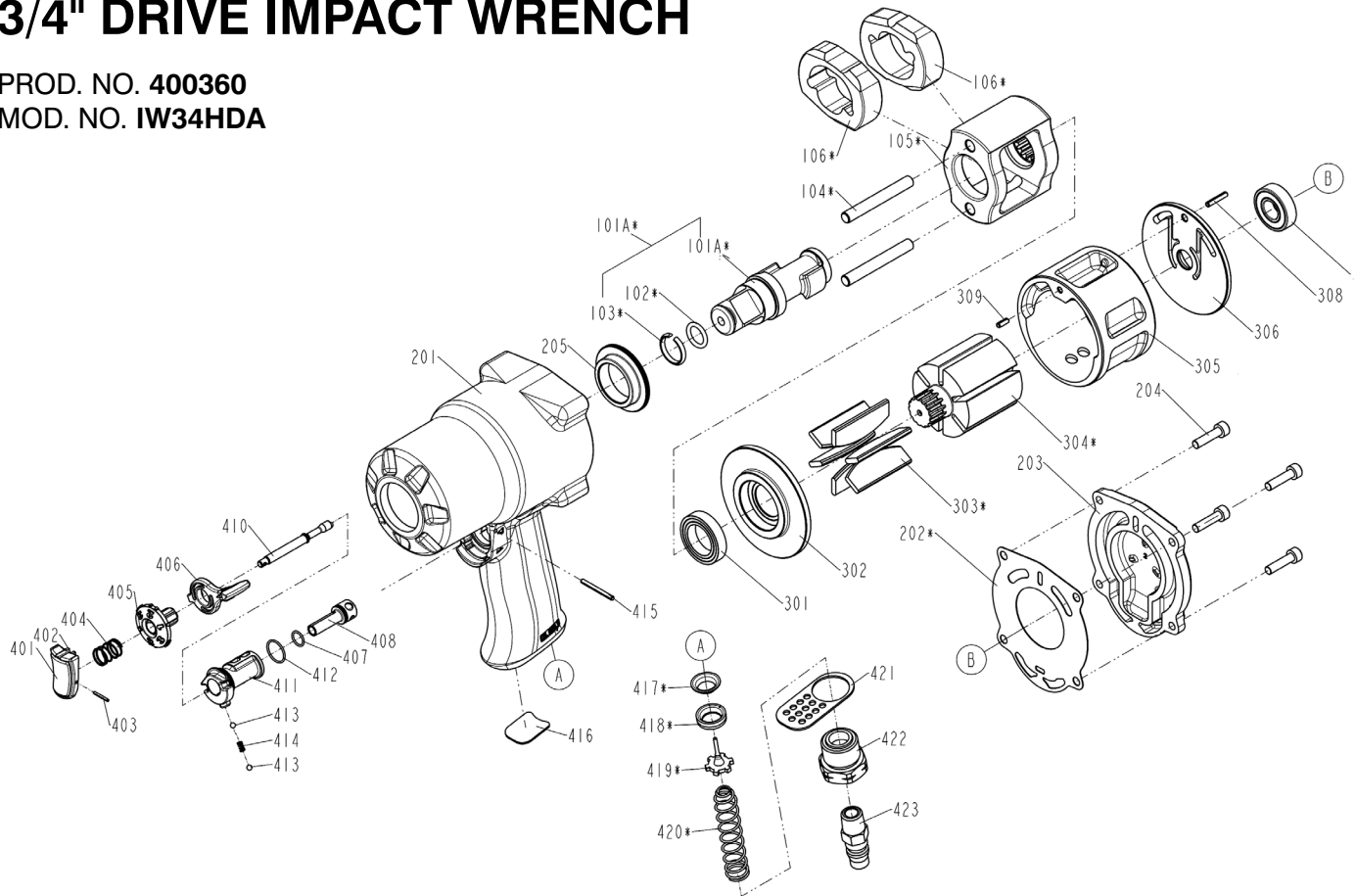


# 3/4" DRIVE IMPACT WRENCH

PROD. NO. 400360  
MOD. NO. IW34HDA



| REF  | PART NUMBER      | DESCRIPTION         | REQ | REF | PART NUMBER     | DESCRIPTION       | REQ |
|------|------------------|---------------------|-----|-----|-----------------|-------------------|-----|
| 101A | PBI-IW34HDA-101A | ANVIL UNIT          | 1   | 402 | PBI-IW34HDA-402 | TRIGGER-A         | 1   |
| 102  | PBI-IW34HDA-102  | O - RING            | 1   | 403 | PBI-IW34HDA-403 | SPRING PIN        | 1   |
| 103  | PBI-IW34HDA-103  | SOCKET RETAINER     | 1   | 404 | PBI-IW34HDA-404 | SPRING            | 1   |
| 104  | PBI-IW34HDA-104  | HAMMER PIN          | 2   | 405 | PBI-IW34HDA-405 | REGULATOR A       | 1   |
| 105  | PBI-IW34HDA-105  | HAMMER FRAME        | 1   | 406 | PBI-IW34HDA-406 | LEVER             | 1   |
| 106  | PBI-IW34HDA-106  | HAMMER              | 2   | 407 | PBI-IW34HDA-407 | O - RING          | 1   |
| 201  | PBI-IW34HDA-201  | HOUSING             | 1   | 408 | PBI-IW34HDA-408 | REGULATOR B       | 1   |
| 202  | PBI-IW34HDA-202  | PACKING             | 1   | 410 | PBI-IW34HDA-410 | TRIGGER TIP       | 1   |
| 203  | PBI-IW34HDA-203  | REAR COVER          | 1   | 411 | PBI-IW34HDA-411 | REVERSE VALVE     | 1   |
| 204  | PBI-IW34HDA-204  | HEX.SOC.HD.BOLT     | 4   | 412 | PBI-IW34HDA-412 | O - RING          | 1   |
| 205  | PBI-IW34HDA-205  | HAMMER CASE BUSHING | 1   | 413 | PBI-IW34HDA-413 | STEEL BALL        | 1   |
| 301  | PBI-IW34HDA-301  | BEARING             | 1   | 414 | PBI-IW34HDA-414 | SPRING            | 1   |
| 302  | PBI-IW34HDA-302  | FRONT BEARING PLATE | 1   | 415 | PBI-IW34HDA-415 | SPRING PIN        | 1   |
| 303  | PBI-IW34HDA-303  | BLADES              | 6   | 416 | PBI-IW34HDA-416 | MUFFLER           | 1   |
| 304  | PBI-IW34HDA-304  | ROTOR               | 1   | 417 | PBI-IW34HDA-417 | SEAL BUSHING      | 1   |
| 305  | PBI-IW34HDA-305  | CYLINDER            | 1   | 418 | PBI-IW34HDA-418 | SEAL              | 1   |
| 306  | PBI-IW34HDA-306  | REAR END PLATE      | 1   | 419 | PBI-IW34HDA-419 | TIP VALVE         | 1   |
| 307  | PBI-IW34HDA-307  | BEARING             | 1   | 420 | PBI-IW34HDA-420 | SPRING            | 1   |
| 308  | PBI-IW34HDA-308  | SPRING PIN          | 1   | 421 | PBI-IW34HDA-421 | EXHAUST DEFLECTOR | 1   |
| 309  | PBI-IW34HDA-309  | SPRING PIN          | 1   | 422 | PBI-IW34HDA-422 | AIR INLET         | 1   |
| 401  | PBI-IW34HDA-401  | TRIGGER B           | 1   | 423 | PBI-IW34HDA-423 | AIR PLUG          | 1   |