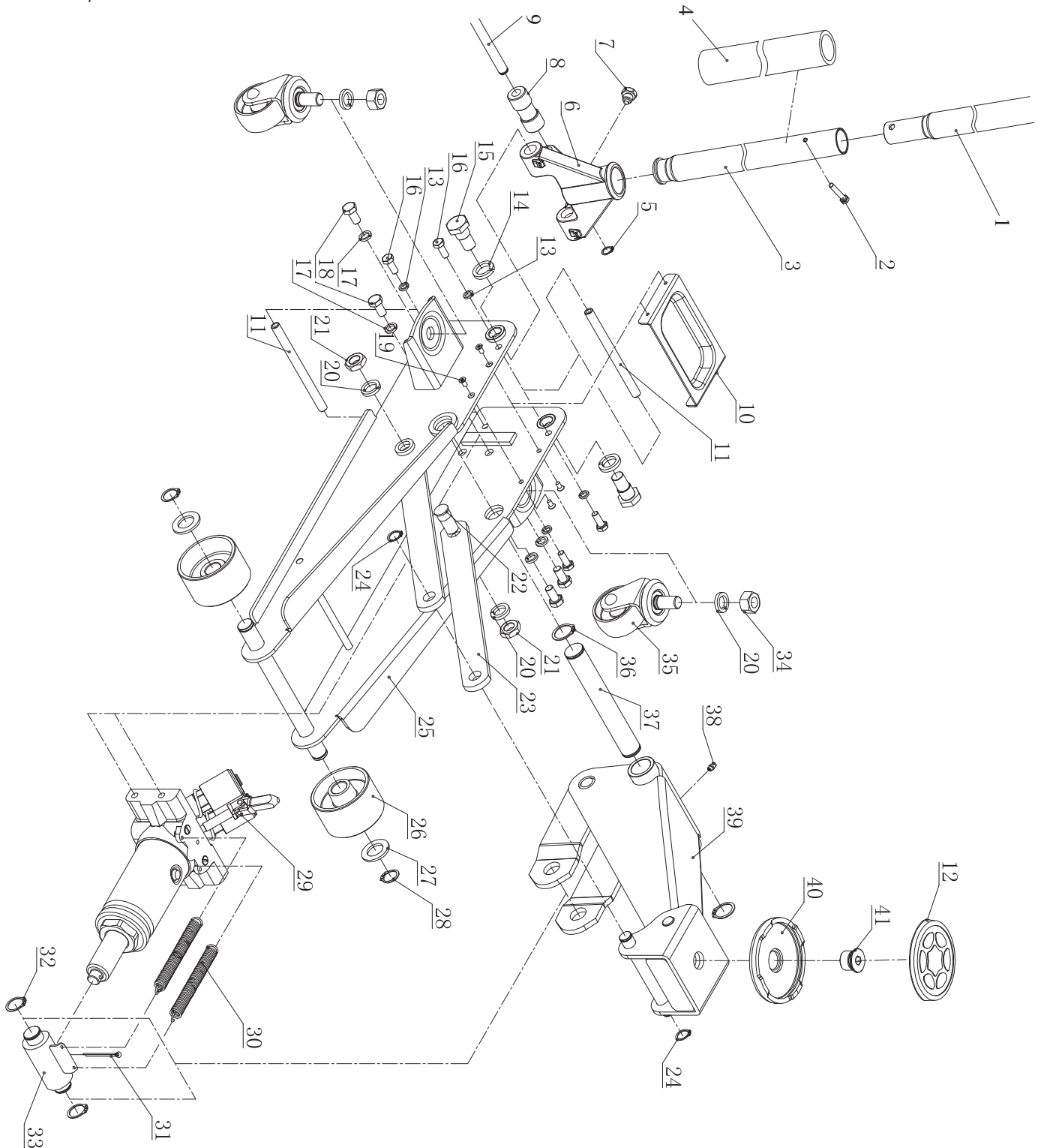


3 Ton 2XP Floor Jack

Cric rouleur de 3 tonnes 2XP

Prod. No. / N° du prod.: 030417

Mod. No. / N° du mod.: 953D



REF	PART NUMBER	DESCRIPTION	REQ	REF	PART NUMBER	DESCRIPTION	REQ
P01	PCN-953D-P1	O-RING	1	P25	PCN-953D-P25	PUMPCORE BASE	1
P02	PCN-953D-P2	CAP	1	P26	PCN-953D-P26	RELEASE VALVE	1
P03	PCN-953D-P3	WASHER	1	P27	PCN-953D-P27	SPRING	1
P04	PCN-953D-P4	RAM	1	P28	PCN-953D-P28	SPRING PROTECTION	1
P05	PCN-953D-P5	OIL PLUG	1	P29	PCN-953D-P29	O-RING	2
P06	PCN-953D-P6	PISTON ROD	1	P30	PCN-953D-P30	PUMP CORE	1
P07	PCN-953D-P7	RETAINER RING	1	P31	PCN-953D-P31	SPRING SEAT	1
P08	PCN-953D-P8	PISTON	1	P32	PCN-953D-P32	RETAINER RING	1
P09	PCN-953D-P9	WASHER	1	P33	PCN-953D-P33	WASHER	1
P10	PCN-953D-P10	O-RING	1	P34	PCN-953D-P34	BASE FOR PUMP CORE	1
P11	PCN-953D-P11	RAM	1	P35	PCN-953D-P35	STEEL BALL	1
P12	PCN-953D-P12	NYLON WASHER	1	P36	PCN-953D-P36	SCREW	1
P13	PCN-953D-P13	WAHSRE	1	P37	PCN-953D-P37	SPRING	1
P14	PCN-953D-P14	STEEL BALL STOP	2	P38	PCN-953D-P38	SPRING PROTECTION	1
P15	PCN-953D-P15	STEEL BALL	4	P39	PCN-953D-P39	U-BOLT	1
P16	PCN-953D-P16	STEEL BALL	2	P40	PCN-953D-P40	WASHER	2
P17	PCN-953D-P17	STEEL BALL	1	P41	PCN-953D-P41	PUMP CORE	1
P18	PCN-953D-P18	STEEL BALL SEAT	1	P42	PCN-953D-P42	SPRING SEAT	1
P19	PCN-953D-P19	SPRING	1	P43	PCN-953D-P43	RETAINER RING	1
P20	PCN-953D-P20	SCREW	1	P44	PCN-953D-P44	SPRING	1
P21	PCN-953D-P21	O-RING	2	P45	PCN-953D-P45	LIMITED PLATE	2
P22	PCN-953D-P22	SCREW	2	P46	PCN-953D-P46	PUMP	1
P23	PCN-953D-P23	COPPER WASHER	1	P47	PCN-953D-P47	SCREW	1
P24	PCN-953D-P24	O-RING	1	P48	PCN-953D-P48	STEEL BALL	1

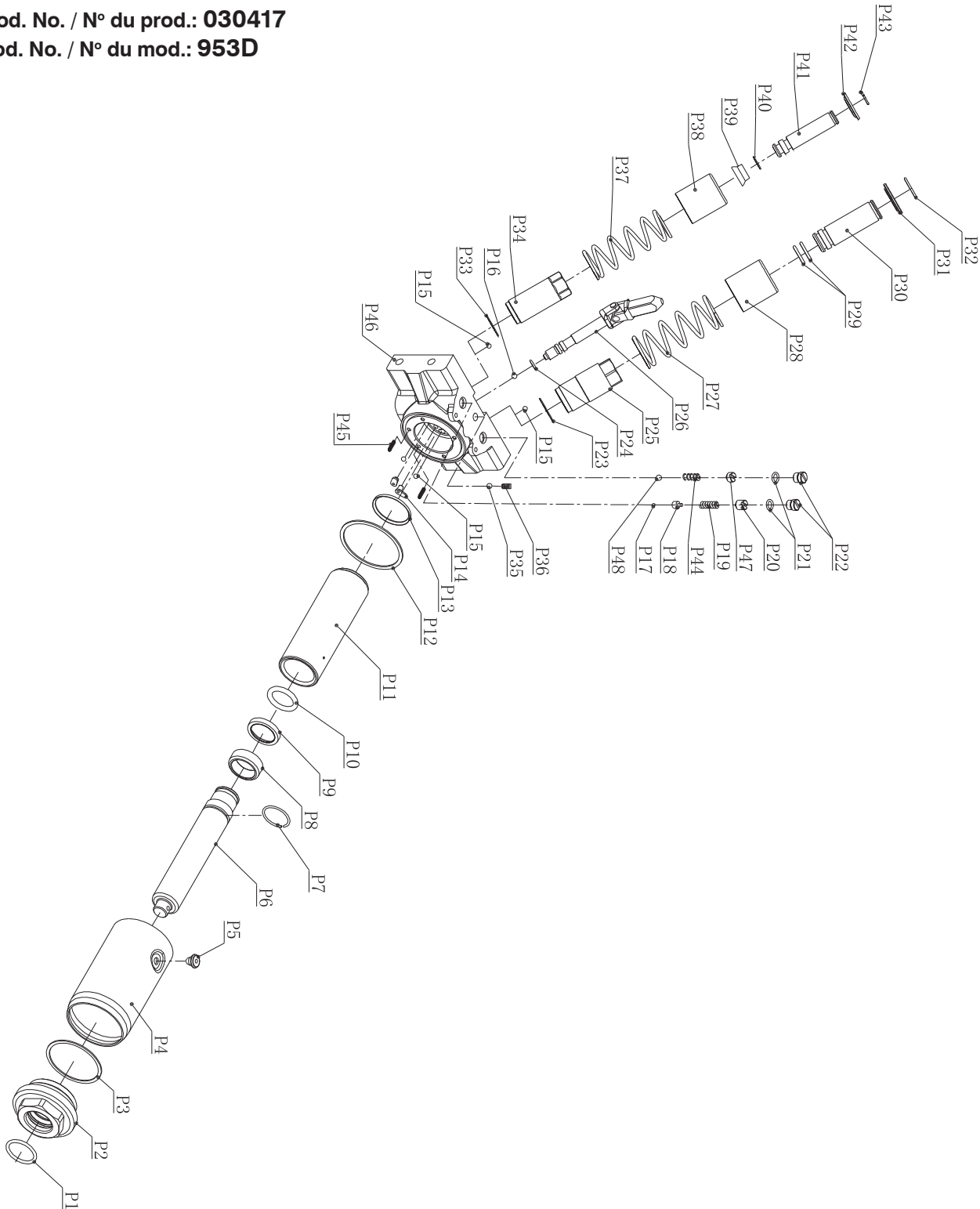
RÉF.	NUMÉRO DE PIÈCE	DESCRIPTION	NOMBRE REQUIS	RÉF.	NUMÉRO DE PIÈCE	DESCRIPTION	NOMBRE REQUIS
P01	PCN-953D-P1	JOINT TORIQUE	1	P25	PCN-953D-P25	BASE INTÉRIEURE DE LA POMPE	1
P02	PCN-953D-P2	BOUCHON	1	P26	PCN-953D-P26	VALVE DE DÉTENTE	1
P03	PCN-953D-P3	RONDELLE	1	P27	PCN-953D-P27	RESSORT	1
P04	PCN-953D-P4	VÉRIN	1	P28	PCN-953D-P28	PROTECTION DE RESSORT	1
P05	PCN-953D-P5	BOUCHON D'HUILE	1	P29	PCN-953D-P29	JOINT TORIQUE	2
P06	PCN-953D-P6	TIGE DU PISTON	1	P30	PCN-953D-P30	INTÉRIEUR DE LA POMPE	1
P07	PCN-953D-P7	BAGUE DE RETENUE	1	P31	PCN-953D-P31	SIÈGE DU RESSORT	1
P08	PCN-953D-P8	PISTON	1	P32	PCN-953D-P32	BAGUE DE RETENUE	1
P09	PCN-953D-P9	RONDELLE	1	P33	PCN-953D-P33	RONDELLE	1
P10	PCN-953D-P10	JOINT TORIQUE	1	P34	PCN-953D-P34	BASE POUR LE CORPS DE LA POMPE	1
P11	PCN-953D-P11	VÉRIN	1	P35	PCN-953D-P35	BILLE EN ACIER	1
P12	PCN-953D-P12	RONDELLE EN NYLON	1	P36	PCN-953D-P36	VIS	1
P13	PCN-953D-P13	RONDELLE	1	P37	PCN-953D-P37	RESSORT	1
P14	PCN-953D-P14	BUTOIR DE LA BILLE D'ACIER	2	P38	PCN-953D-P38	PROTECTION DU RESSORT	1
P15	PCN-953D-P15	BILLE EN ACIER	4	P39	PCN-953D-P39	BOULON EN U	1
P16	PCN-953D-P16	BILLE EN ACIER	2	P40	PCN-953D-P40	RONDELLE	2
P17	PCN-953D-P17	BILLE EN ACIER	1	P41	PCN-953D-P41	INTÉRIEUR DE LA POMPE	1
P18	PCN-953D-P18	SIÈGE DE LA BILLE D'ACIER	1	P42	PCN-953D-P42	SIÈGE DU RESSORT	1
P19	PCN-953D-P19	RESSORT	1	P43	PCN-953D-P43	BAGUE DE RETENUE	1
P20	PCN-953D-P20	VIS	1	P44	PCN-953D-P44	RESSORT	1
P21	PCN-953D-P21	JOINT TORIQUE	2	P45	PCN-953D-P45	PLAQUE DE RESTREINTE	2
P22	PCN-953D-P22	VIS	2	P46	PCN-953D-P46	POMPE	1
P23	PCN-953D-P23	RONDELLE EN CUIVRE	1	P47	PCN-953D-P47	VIS	1
P24	PCN-953D-P24	JOINT TORIQUE	1	P48	PCN-953D-P48	BILLE EN ACIER	1

3 Ton 2XP Floor Jack

Cric rouleur de 3 tonnes 2XP

Prod. No. / N° du prod.: 030417

Mod. No. / N° du mod.: 953D



REF	PART NUMBER	DESCRIPTION	REQ	REF	PART NUMBER	DESCRIPTION	REQ
1	PCN-953D-01	UPPER HANDLE	1	22	PCN-953D-22	SCREW	2
2	PCN-953D-02	SCREW	1	23	PCN-953D-23	ADJUST PLATE	2
3	PCN-953D-03	LOWER HANDLE	1	24	PCN-953D-24	RETAINER RING	2
4	PCN-953D-04	HANDLE SOCKET	1	25	PCN-953D-25	FRAME	1
5	PCN-953D-05	RETAINER RING	1	26	PCN-953D-26	FRONT WHEEL	2
6	PCN-953D-06	HANDLE BASE	1	27	PCN-953D-27	WASHER	2
7	PCN-953D-07	SCREW	1	28	PCN-953D-28	RETAINER RING	2
8	PCN-953D-08	ROLLER	1	29	PCN-953D-29	PUMP	1
9	PCN-953D-09	PIN	1	30	PCN-953D-30	SPRING	2
10	PCN-953D-10	PLATE	1	31	PCN-953D-31	COTTER PIN	1
11	PCN-953D-11	LIMITED ROD	2	32	PCN-953D-32	RETAINER RING	2
12	PCN-953D-12	RUBBER PAD	1	33	PCN-953D-33	PISTON ADAPTOR	1
13	PCN-953D-13	WASHER	4	34	PCN-953D-34	NUT	2
14	PCN-953D-14	WASHER	2	35	PCN-953D-35	CASTER	2
15	PCN-953D-15	SCREW	2	36	PCN-953D-36	RETAINER RING	2
16	PCN-953D-16	SCREW	4	37	PCN-953D-37	LIFTING PIN	1
17	PCN-953D-17	WASHER	4	38	PCN-953D-38	OIL CUP	1
18	PCN-953D-18	SCREW	4	39	PCN-953D-39	LIFTING ARM	1
19	PCN-953D-19	BOLT	4	40	PCN-953D-40	ADAPTOR	1
20	PCN-953D-20	WASHER	4	41	PCN-953D-41	SCREW	1
21	PCN-953D-21	NUT	2				

RÉF.	NUMÉRO DE PIÈCE	DESCRIPTION	NOMBRE REQUIS	RÉF.	NUMÉRO DE PIÈCE	DESCRIPTION	NOMBRE REQUIS
1	PCN-953D-01	POIGNÉE SUPÉRIEURE	1	22	PCN-953D-22	VIS	2
2	PCN-953D-02	VIS	1	23	PCN-953D-23	PLAQUE DE RÉGLAGE	2
3	PCN-953D-03	POIGNÉE INFÉRIEURE	1	24	PCN-953D-24	BAGUE DE RETENUE	2
4	PCN-953D-04	DOUILLE DE LA POIGNÉE	1	25	PCN-953D-25	BÂTI	1
5	PCN-953D-05	BAGUE DE RETENUE	1	26	PCN-953D-26	ROUE AVANT	2
6	PCN-953D-06	BASE DE LA POIGNÉE	1	27	PCN-953D-27	RONDELLE	2
7	PCN-953D-07	VIS	1	28	PCN-953D-28	BAGUE DE RETENUE	2
8	PCN-953D-08	ROULETTE	1	29	PCN-953D-29	POMPE	1
9	PCN-953D-09	GOUPILLE	1	30	PCN-953D-30	RESSORT	2
10	PCN-953D-10	PLAQUE	1	31	PCN-953D-31	CLAVETTE	1
11	PCN-953D-11	TIGE DE RESTREINTE	2	32	PCN-953D-32	BAGUE DE RETENUE	2
12	PCN-953D-12	TAMPON EN CAOUTCHOUC	1	33	PCN-953D-33	ADAPTEUR DU PISTON	1
13	PCN-953D-13	RONDELLE	4	34	PCN-953D-34	ÉCROU	2
14	PCN-953D-14	RONDELLE	2	35	PCN-953D-35	ROULETTE	2
15	PCN-953D-15	VIS	2	36	PCN-953D-36	BAGUE DE RETENUE	2
16	PCN-953D-16	VIS	4	37	PCN-953D-37	AXE DE LEVAGE	1
17	PCN-953D-17	RONDELLE	4	38	PCN-953D-38	RESERVOIR À HUILE	1
18	PCN-953D-18	VIS	4	39	PCN-953D-39	BRAS DE LEVAGE	1
19	PCN-953D-19	BOULON	4	40	PCN-953D-40	ADAPTATEUR	1
20	PCN-953D-20	RONDELLE	4	41	PCN-953D-41	VIS	1
21	PCN-953D-21	ÉCROU	2				