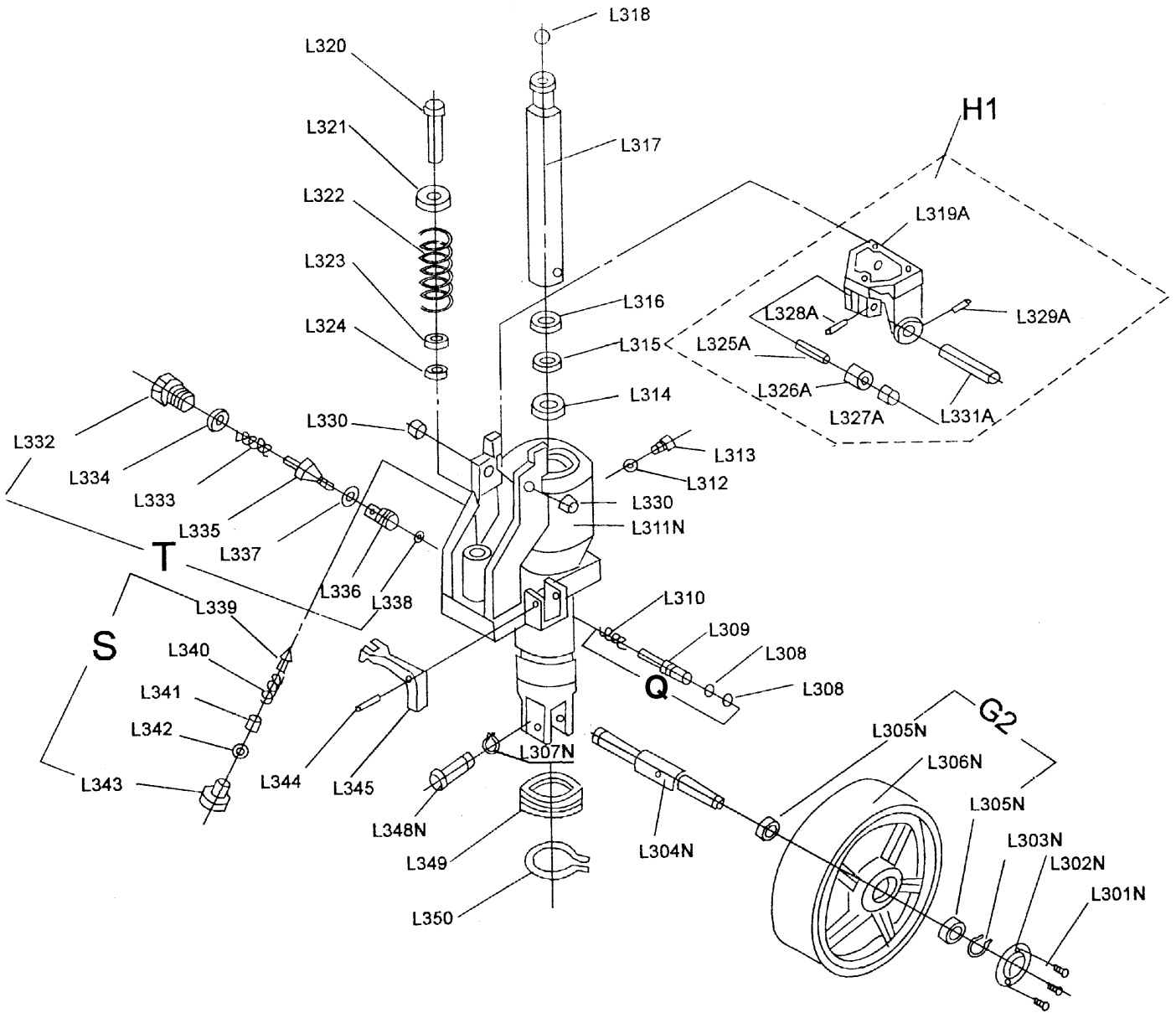


JET PT-5500 PALLET TRUCK PRODUCT # 190918





JET PT-5500 PALLET TRUCK PRODUCT # 190918

PUMP UNIT

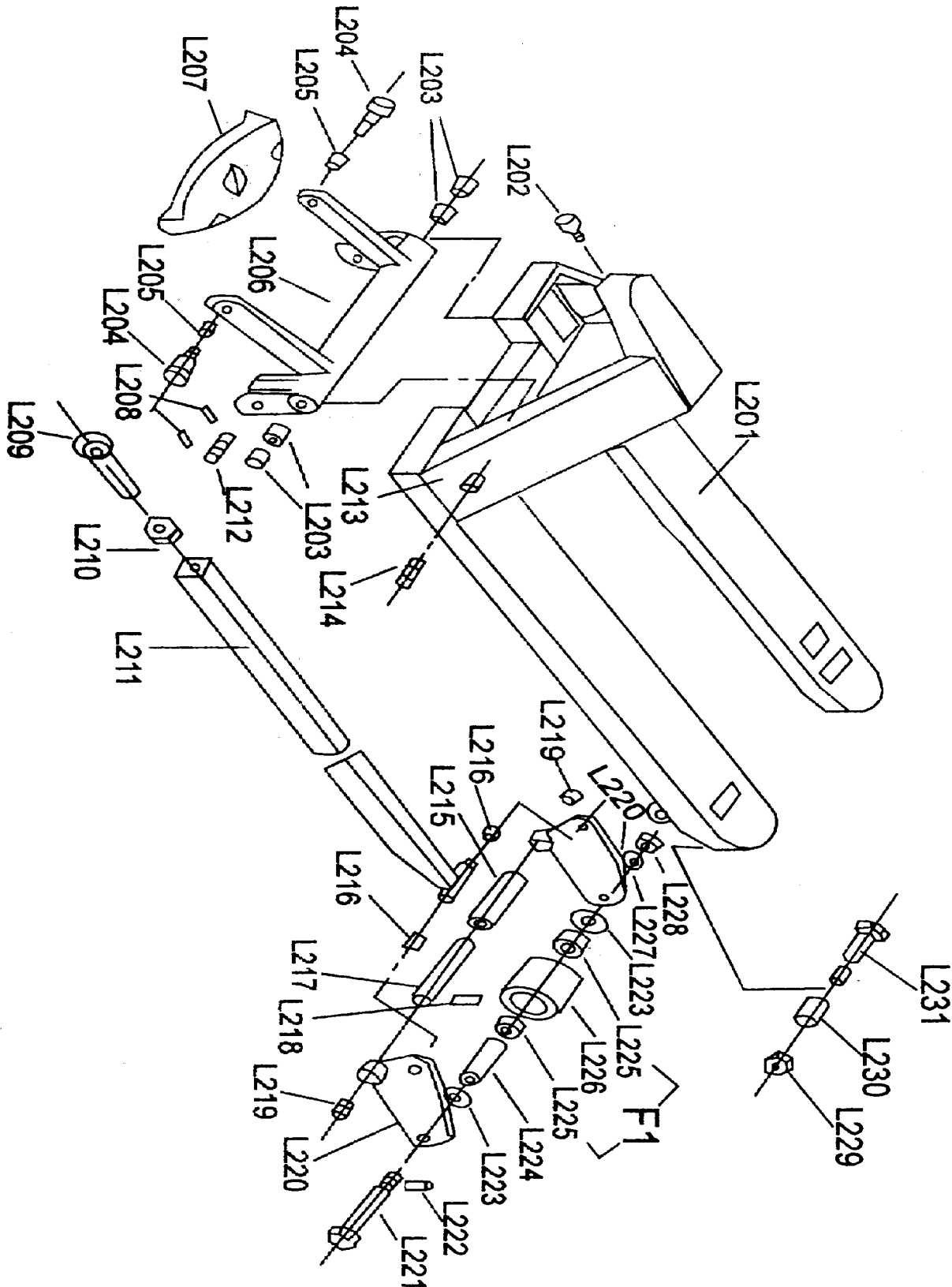
REF	PART NUMBER	DESCRIPTION	REQ
L301N	PNL-JPT55-L301N	JET 5500 P/T SCREW	1
L302N	PNL-JPT55-L302N	JET 5500 P/T HUB CAP	1
L303N	PNL-JPT55-L303N	JET 5500 P/T RETAINING RING	1
L304N	PNL-JPT55-L304N	JET 5500 P/T WHEEL SHAFT	1
L305N	PNL-JPT55-L305N	JET 5500 P/T BRG:USE PNL-JPT55-G2	1
L306N	PNL-JPT55-L306N	JET 5500 P/T W/SHAFT:USE PNL-JPT55-G2	1
L307N	PNL-JPT55-L307N	JET 5500 P/T RETAINING RING	1
L308	PNL-JPT55-L308	JET 5500 P/T:USE PNL-JPT55-Q	1
L309	PNL-JPT55-L309	JET 5500 P/T REL/VALVE:USE PNL-JPT55-Q	1
L310	PNL-JPT55-L310	JET 5500 P/T SPRING:USE PNL-JPT55-Q	1
L311N	PNL-JPT55-L311N	JET 5500 P/T PUMP BODY N/A	1
L312	PNL-JPT55-L312	JET 5500 P/T S/WSHR:USE PNL-JPT55-V	1
L313	PNL-JPT55-L313	JET 5500 P/T BOLT	1
L314	PNL-JPT55-L314	JET 5500 P/T Y-SEAL:USE PNL-JPT55-V	1
L315	PNL-JPT55-L315	JET 5500 P/T Y-SEAL:USE PNL-JPT55-V	1
L316	PNL-JPT55-L316	JET 5500 P/T WIPER:USE PNL-JPT55-V	1
L317	PNL-JPT55-L317	JET 5500 P/T LIFT PISTON ROD	1
L318	PNL-JPT55-L318	JET 5500 P/T STEEL BALL	1
L319A	PNL-JPT55-L319A	JET 5500 P/T TYP A BRK:USE PNL-JPT55-H1	3
L320	PNL-JPT55-L320	JET 5500 P/T PISTON ROD PUMP	2
L321	PNL-JPT55-L321	JET 5500 P/T CAP	1
L322	PNL-JPT55-L322	JET 5500 P/T SPRING	1
L323	PNL-JPT55-L323	JET 5500 P/T WIPER:USE PNL-JPT55-V	1
L324	PNL-JPT55-L324	JET 5500 P/T Y-SEAL:USE PNL-JPT55-V	1
L325A	PNL-JPT55-L325A	JET 5500 P/T TYP A R/A:USE PNL-JPT55-H1	2
L326A	PNL-JPT55-L326A	JET 5500 P/T TYP A P/R:USE PNL-JPT55-H1	1
L327A	PNL-JPT55-L327A	JET 5500 P/T TYP A BSH:USE PNL-JPT55-H1	2
L328A	PNL-JPT55-L328A	JET 5500 P/T TYP A E/P:USE PNL-JPT55-H1	4
L329A	PNL-JPT55-L329A	JET 5500 P/T TYPE A ELASTIC PIN	1
L330	PNL-JPT55-L330	JET 5500 P/T BUSHING	1
L331A	PNL-JPT55-L331A	JET 5500 P/T TYPE A AXLE WITH HOLE	1
L332	PNL-JPT55-L332	JET 5500 P/T BOLT PLUG:USE PNL-JPT55-T	1
L333	PNL-JPT55-L333	JET 5500 P/T SPRING:USE PNL-JPT55-T	1
L334	PNL-JPT55-L334	JET 5500 P/T SEAL WSHR:USE PNL-JPT55-T	1
L335	PNL-JPT55-L335	JET 5500 P/T VALVE PIN:USE PNL-JPT55-T	1
L336	PNL-JPT55-L336	JET 5500 P/T VALVE :USE PNL-JPT55-T	1
L337	PNL-JPT55-L337	JET 5500 P/T O-RING:USE PNL-JPT55-T	1
L338	PNL-JPT55-L338	JET 5500 P/T STL/BALL:USE PNL-JPT55-T	1
L339	PNL-JPT55-L339	JET 5500 P/T S/V/PIN:USE PNL-JPT55-S	1
L340	PNL-JPT55-L340	JET 5500 P/T SPRING:USE PNL-JPT55-S	1
L341	PNL-JPT55-L341	JET 5500 P/T ADJ/BOLT:USE PNL-JPT55-S	1
L342	PNL-JPT55-L342	JET 5500 P/T O-RING:USE PNL-JPT55-S	1
L343	PNL-JPT55-L343	JET 5500 P/T PLUG BOLT:USE PNL-JPT55-S	1
L344	PNL-JPT55-L344	JET 5500 P/T ELASTIC PIN	1
L345	PNL-JPT55-L345	JET 5500 P/T LEVER	1
L348N	PNL-JPT55-L348N	JET 5500 P/T PIN	1
L349	PNL-JPT55-L349	JET 5500 P/T THRUST BEARING	1
L350	PNL-JPT55-L350	JET 5500 P/T SNAP RING	1

JET PT-5500 PALLET TRUCK PRODUCT # 190918

LIST OF ASSEMBLIES

REF	PART NUMBER	DESCRIPTION	REQ
D1	PNL-JPT55-D1	JET 5500 P/T CHAIN ASSY TYPE A INCLDS L109A,13A,14A,15A,16A,17A	1
E1	PNL-JPT55-E1	JET 5500 P/T HANDLE ASSY TYPE A INCLDS L101A,2A,3A,4A,5A,6A,7A,8A,9A,10A 11A,12A,13A,14A,15A,16A,17A	1
F1	PNL-JPT55-F1	JET 5500 P/T L/ROLLER ASSY SINGLE TYPE INCLDS L225,L226	2
G2	PNL-JPT55-G2	JET 5500 P/T STEERING WHEEL ASSY INCLDS L305N,L306N	2
H1	PNL-JPT55-H1	JET 5500 P/T (TYPE A) BRACKET ASSY INCLDS L319A,25A,26A,27A,28A	1
P1	PNL-JPT55-P1	JET 5500 P/T (TYPE A) PUMP ASSY INCLDS L308,09,10,11N,12,13,14,15,16,17,18, 19A,20,21,22,23,24,25A,26A,27A,28A,29A,30 31A.32,33,34,35,36,37,38,39,40,41,42,42,43,44 45,49,50,L207	1
Q	PNL-JPT55-Q	JET 5500 P/T LOWERING VALVE ASSY INCLDS L308,L309,L310	1
S	PNL-JPT55-S	JET 5500 P/T SAFETY VALVE ASSY INCLDS L339,L340,L341,L342,L343	1
T	PNL-JPT55-T	JET 5500 P/T HYDRAULIC VALVE ASSY INCLDS L332,33,34,35,36,37,38	1
V	PNL-JPT55-V	JET 5500 P/T SEAL KIT PUMP UNIT INCLDS L308,12,14,15,16,23,24,34,37,42	1

JET PT-5500 PALLET TRUCK PRODUCT # 190918



JET PT-5500 PALLET TRUCK PRODUCT # 190918

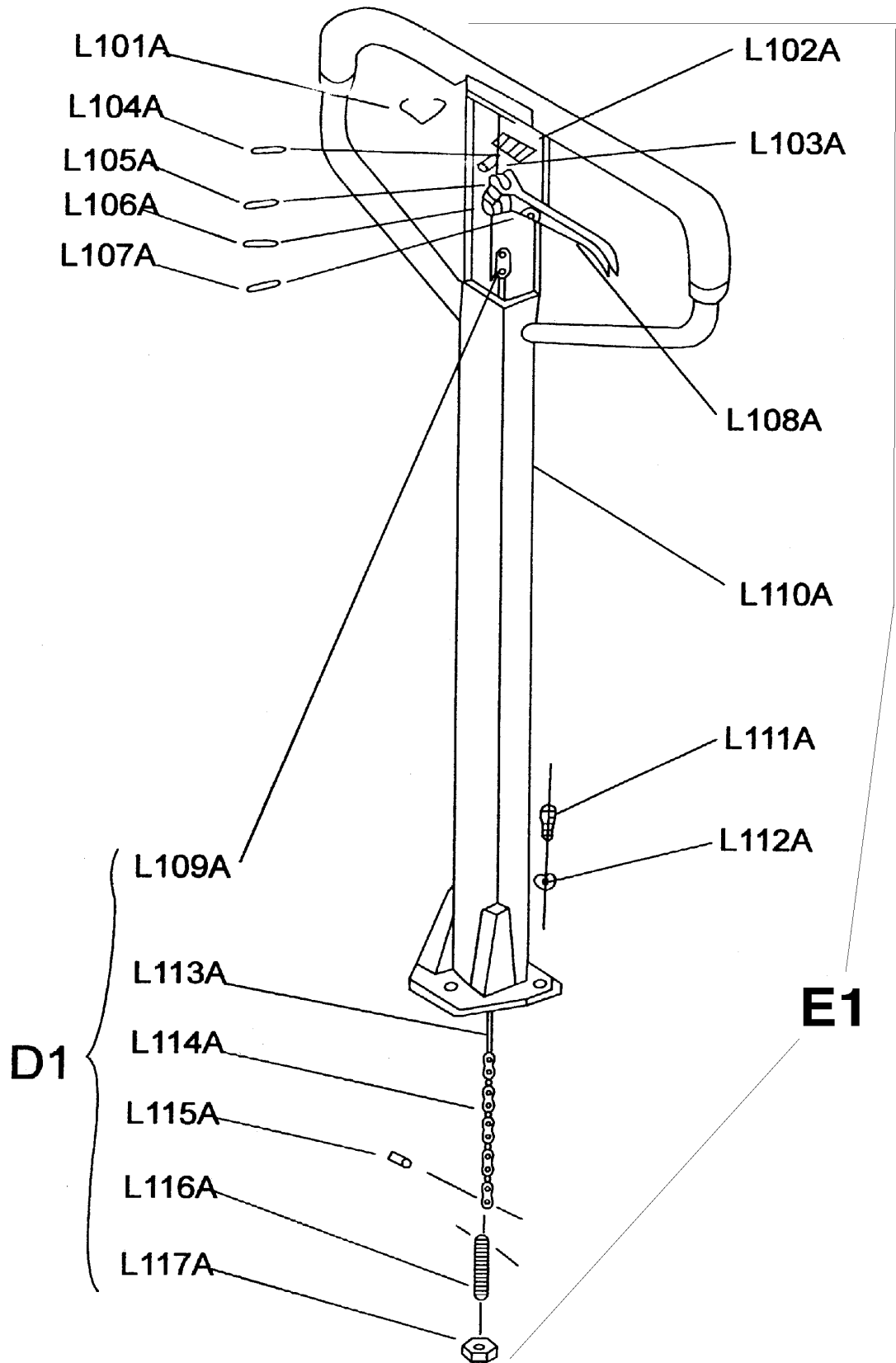
FORK FRAME

REF	PART NUMBER	DESCRIPTION	REQ
L201	PNL-JPT55-L201	JET 5500 P/T CHASSIS N/A	1
L202	PNL-JPT55-L202	JET 5500 P/T LOCK BOLT	1
L203	PNL-JPT55-L203	JET 5500 P/T BUSHING	4
L204	PNL-JPT55-L204	JET 5500 P/T SHOULDER BOLT	2
L205	PNL-JPT55-L205	JET 5500 P/T BUSHING	2
L206	PNL-JPT55-L206	JET 5500 P/T TORSION TUBE	1
L207	PNL-JPT55-L207	JET 5500 P/T THRUST PLATE	1
L208	PNL-JPT55-L208	JET 5500 P/T ELASTIC PIN	4
L209	PNL-JPT55-L209	JET 5500 P/T EYE BOLT	2
L210	PNL-JPT55-L210	JET 5500 P/T NUT	2
L211	PNL-JPT55-L211	JET 5500 P/T PUSH ROD	2
L212	PNL-JPT55-L212	JET 5500 P/T EYE BOLT AXLE	2
L213	PNL-JPT55-L213	JET 5500 P/T ELASTIC PIN	2
L214	PNL-JPT55-L214	JET 5500 P/T TORSION TUBE AXLE	2
L215	PNL-JPT55-L215	JET 5500 P/T ROLLER	2
L216	PNL-JPT55-L216	JET 5500 P/T BUSHING	4
L217	PNL-JPT55-L217	JET 5500 P/T AXLE	2
L218	PNL-JPT55-L218	JET 5500 P/T ELASTIC PIN	4
L219	PNL-JPT55-L219	JET 5500 P/T BUSHING	4
L220	PNL-JPT55-L220	JET 5500 P/T ROLLER FRAME SET L/R	1
L221	PNL-JPT55-L221	JET 5500 P/T BOLT	2
L222	PNL-JPT55-L222	JET 5500 P/T PIN	2
L223	PNL-JPT55-L223	JET 5500 P/T WASHER	4
L224	PNL-JPT55-L224	JET 5500 P/T ROLLER AXLE	2
L225	PNL-JPT55-L225	JET 5500 P/T BRG:USE PNL-JPT55-F1	4
L226	PNL-JPT55-L226	JET 5500 P/T L/ROLER:USE PNL-JPT55-F1	2
L227	PNL-JPT55-L227	JET 5500 P/T ELASTIC WASHER	2
L228	PNL-JPT55-L228	JET 5500 P/T NUT	2
L229	PNL-JPT55-L229	JET 5500 P/T NUT	2
L230	PNL-JPT55-L230	JET 5500 P/T ENTRY ROLLER	2
L231	PNL-JPT55-L231	JET 5500 P/T BOLT	2

LIST OF ASSEMBLIES

F1	PNL-JPT55-F1	JET 5500 P/T L/ROLLER ASSY SINGLE TYPE INCLDS L225,L226	1
----	--------------	--	---

JET PT-5500 PALLET TRUCK PRODUCT # 190918





JET PT-5500 PALLET TRUCK PRODUCT # 190918

HANDLE TYPE A

REF	PART NUMBER	DESCRIPTION	REQ
L101A	PNL-JPT55-L101A	JET 5500 P/T SPRING	1
L102A	PNL-JPT55-L102A	JET 5500 P/T BLADE SPRING	1
L103A	PNL-JPT55-L103A	JET 5500 P/T ROLLER	1
L104A	PNL-JPT55-L104A	JET 5500 P/T ELASTIC PIN	1
L105A	PNL-JPT55-L105A	JET 5500 P/T ELASTIC PIN	1
L106A	PNL-JPT55-L106A	JET 5500 P/T ELASTIC PIN	1
L107A	PNL-JPT55-L107A	JET 5500 P/T ELASTIC PIN	1
L108A	PNL-JPT55-L108A	JET 5500 P/T CONTROL HANDLE	1
L109A	PNL-JPT55-L109A	JET 5500 P/T P/ BOARD:USE PNL-JPT55-D1	1
L110A	PNL-JPT55-L110A	JET 5500 P/T HANDLE:USE PNL-JPT55-E1	1
L111A	PNL-JPT55-L111A	JET 5500 P/T BOLT	3
L112A	PNL-JPT55-L112A	JET 5500 P/T ELASTIC WASHER	3
L113A	PNL-JPT55-L113A	JET 5500 P/T PULL ROD:USE PNL-JPT55-D1	1
L114A	PNL-JPT55-L114A	JET 5500 P/T CHAIN PNL-JPT55-D1	1
L115A	PNL-JPT55-L115A	JET 5500 P/T PIN:USE PNL-JPT55-D1	1
L116A	PNL-JPT55-L116A	JET 5500 P/T ADJ/BOLT:USE PNL-JPT55-D1	1
L117A	PNL-JPT55-L117A	JET 5500 P/T ADJ/NUT:USE PNL-JPT55-D1	1

LIST OF ASSEMBLIES

D1	PNL-JPT55-D1	JET 5500 P/T CHAIN ASSY TYPE A INCLDS L109A,13A,14A,15A,16A,17A	1
E1	PNL-JPT55-E1	JET 5500 P/T HANDLE ASSY TYPE A INCLDS L101A,2A,3A,4A,5A,6A,7A,8A,9A,10A	1