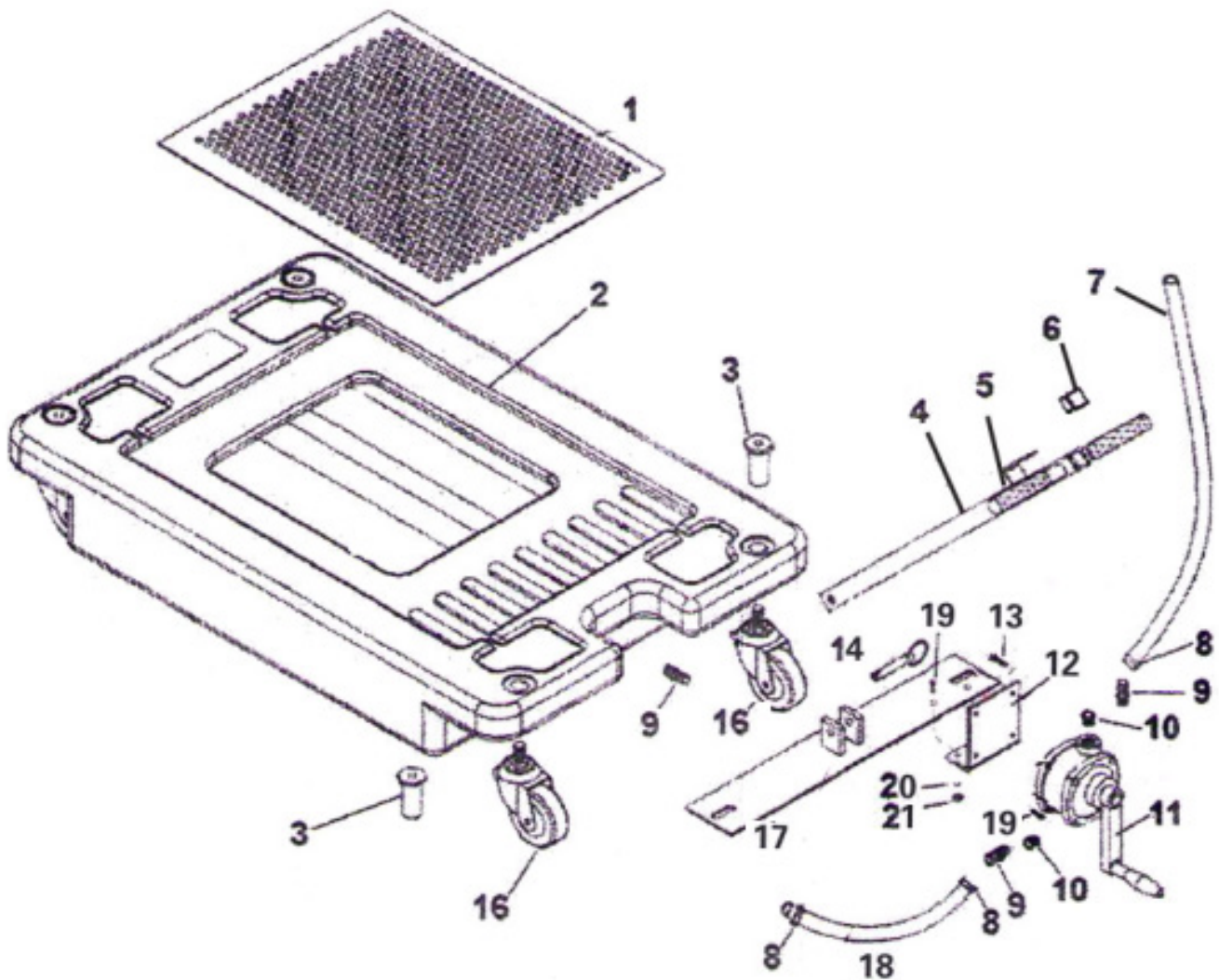


JOIDRLP POLYPROP L/P OIL DRAIN PRODUCT # 350514
JOIDRLPAF LP ANTIFREEZE DRAIN PRODUCT # 350520



REF	PART NUMBER	DESCRIPTION
1	PCN-JOIDRLP-1	SCREEN
16	PCN-JOIDRLP-16	CASTER WHEEL ASSY INCLUDING # 3 LOCKNUT
4	PCN-JOIDRLP-4	HANDLE WITH # 5 FLEX GRIP # 6 PLUG
7	PCN-JOIDRLP-7	LONG HOSE
9	PCN-JOIDRLP-9	HOSE FITTING
10	PCN-JOIDRLP-10	CONNECTOR
11	PCN-JOIDRLP-11	STEEL PUMP COMPLETE WITH HANDLE
11	PCN-JOIDRLPAF-11	ALUMINUM PUMP WITH HANDLE (350520 ONLY)
15	PCN-JOIDRLP-15	PIN
18	PCN-JOIDRLP-18	SHORT HOSE