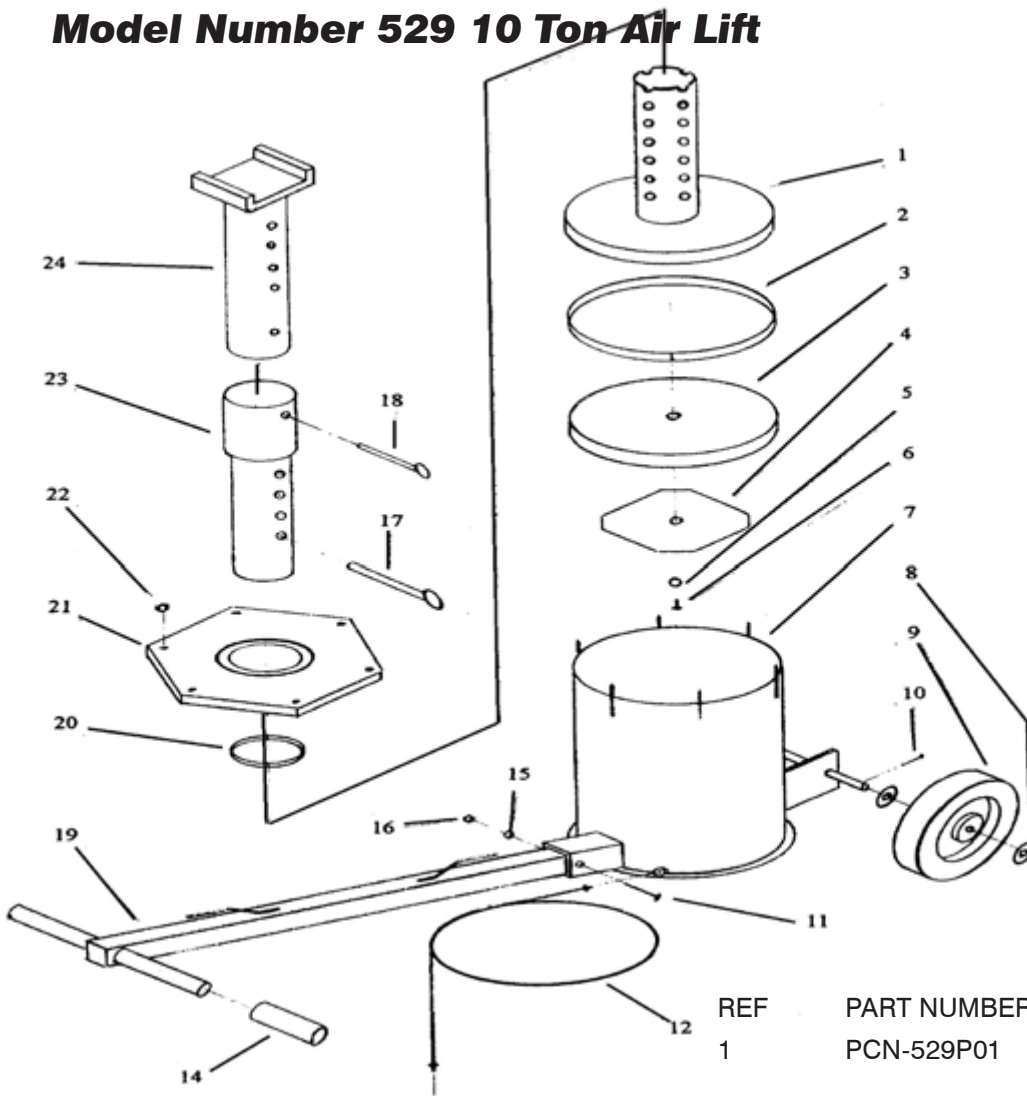


**Product Number 030458**  
**Model Number 529 10 Ton Air Lift**



REF	PART NUMBER	DESCRIPTION
1	PCN-529P01	LIFT POST PISTON ASSY,1,2,3,4,5,6,20
7	PCN-529P07	AIR CYLINDER
9	PCN-529P09	WHEEL
12	PCN-529P12	AIR HOSE SET
13	PCN-529P13	AIR CONTROL VALVE - COMPLETE
17	PCN-529P17	PIN
18	PCN-529P18	SAFETY PIN
19	PCN-529P19	HANDLE ASSY
20	PCN-529P20	GUIDE RING
21	PCN-529P21	CAP
23	PCN-529P23	MIDDLE POST
24	PCN-529P24	UPPER POST
XX	PCN-529PRK	REPAIR KIT REF 2,3